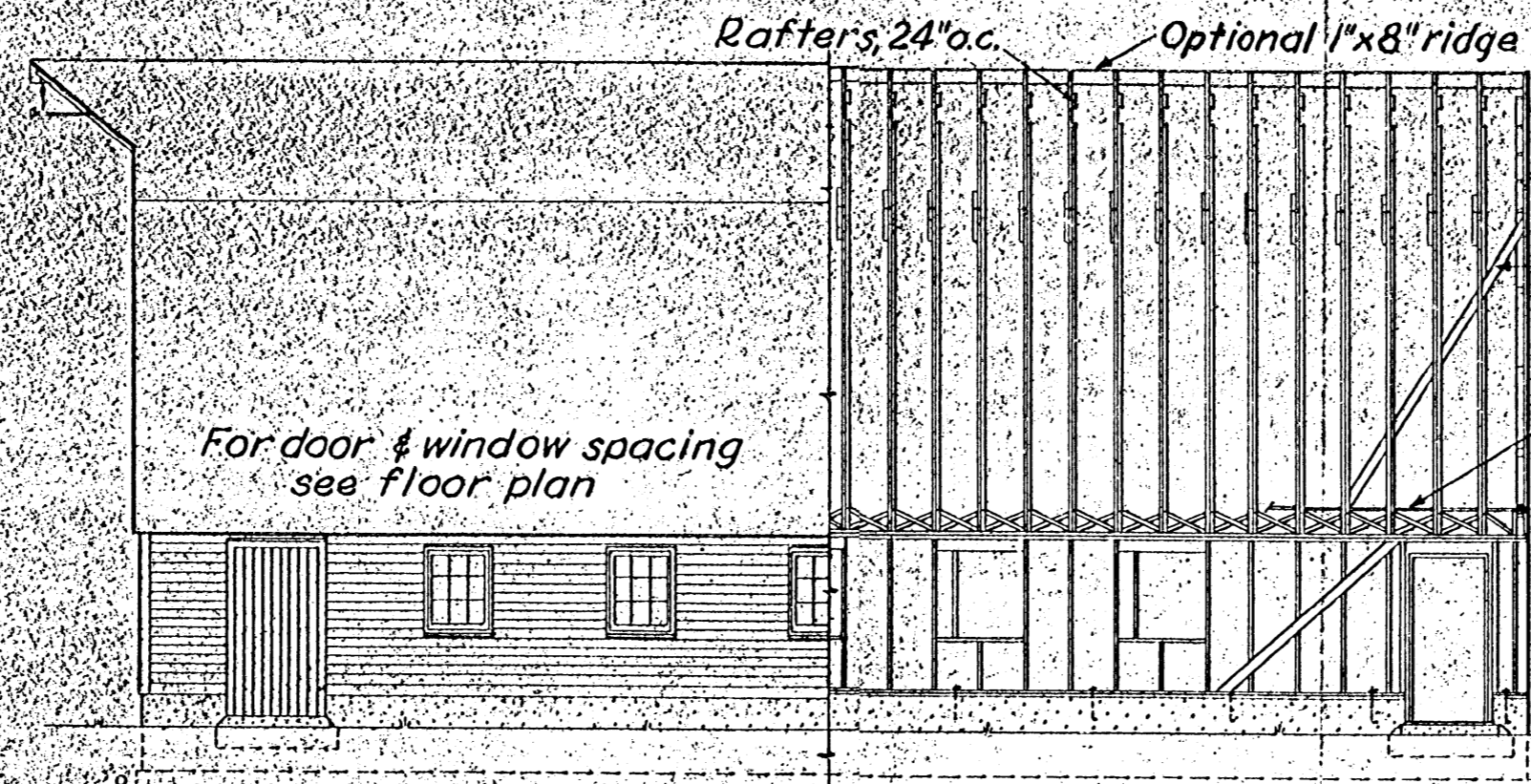
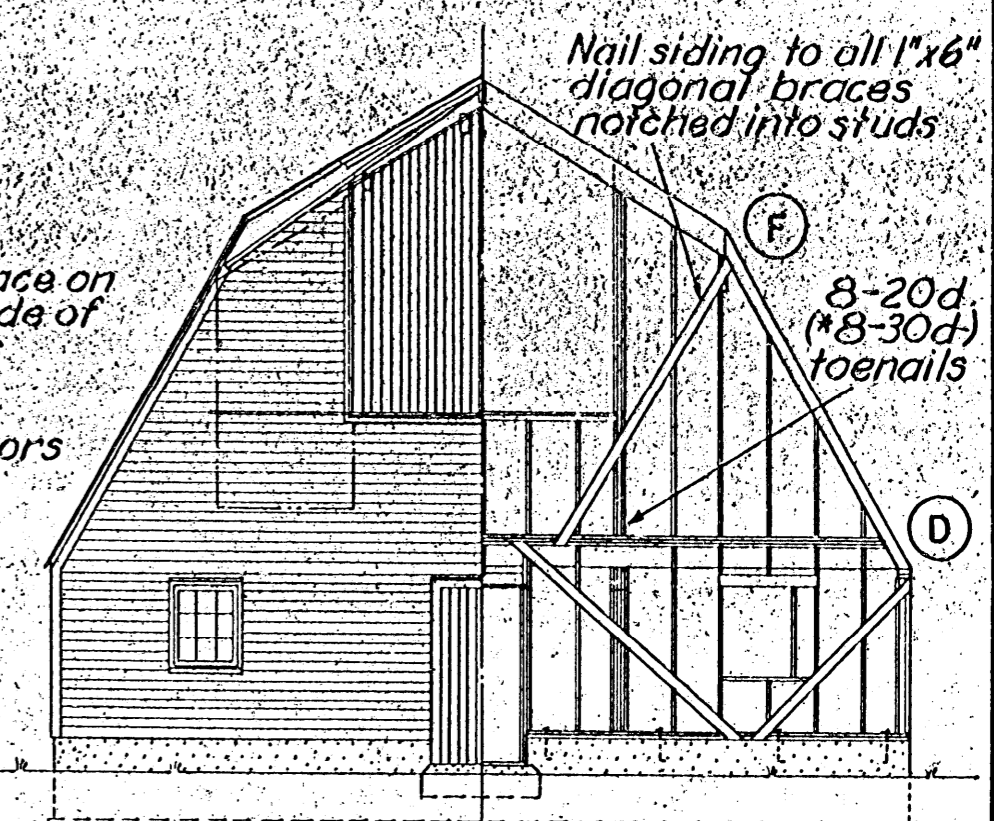


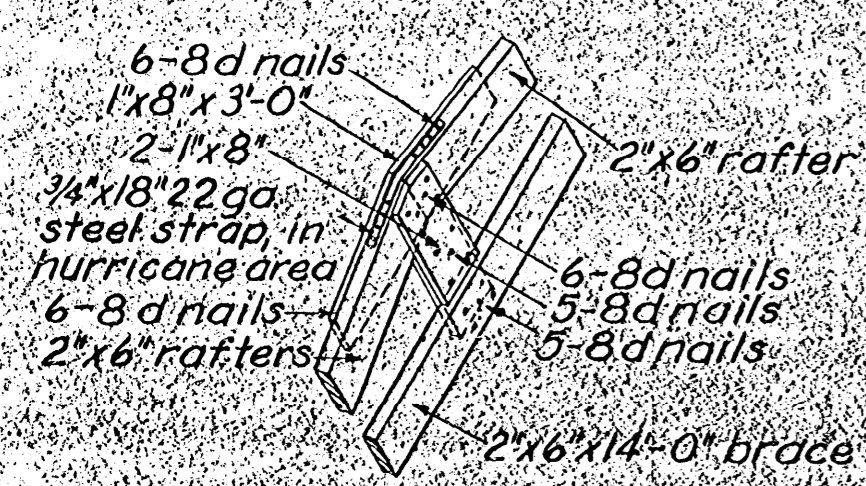
1/2 END FRAMING 1/2 END ELEVATION  
36 FT. BARN FACE OUT  
(34 FT. IS SIMILAR)



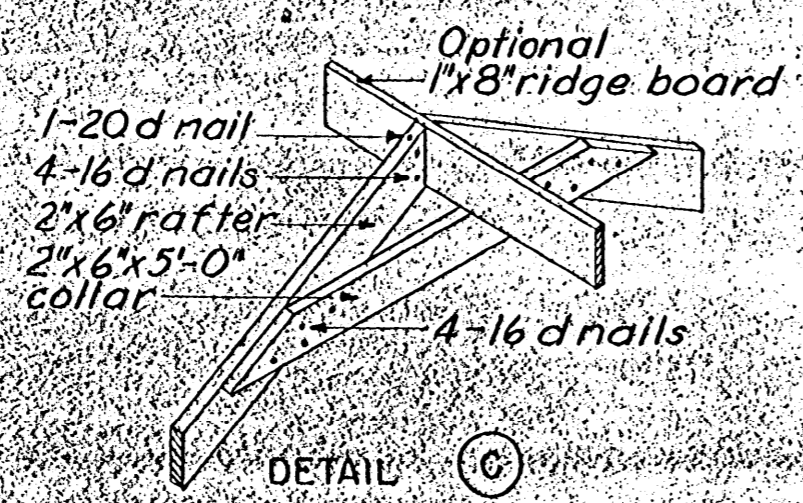
PART SIDE ELEVATION PART SIDE FRAMING  
Scale: 1/8" = 1'-0"



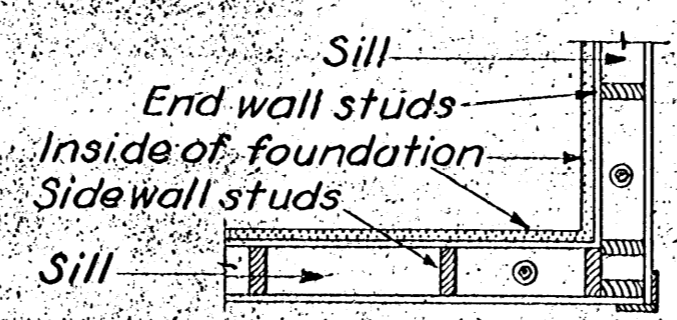
1/2 END ELEVATION 1/2 END ELEVATION  
36 FT. BARN FACE IN  
(34 FT. IS SIMILAR)



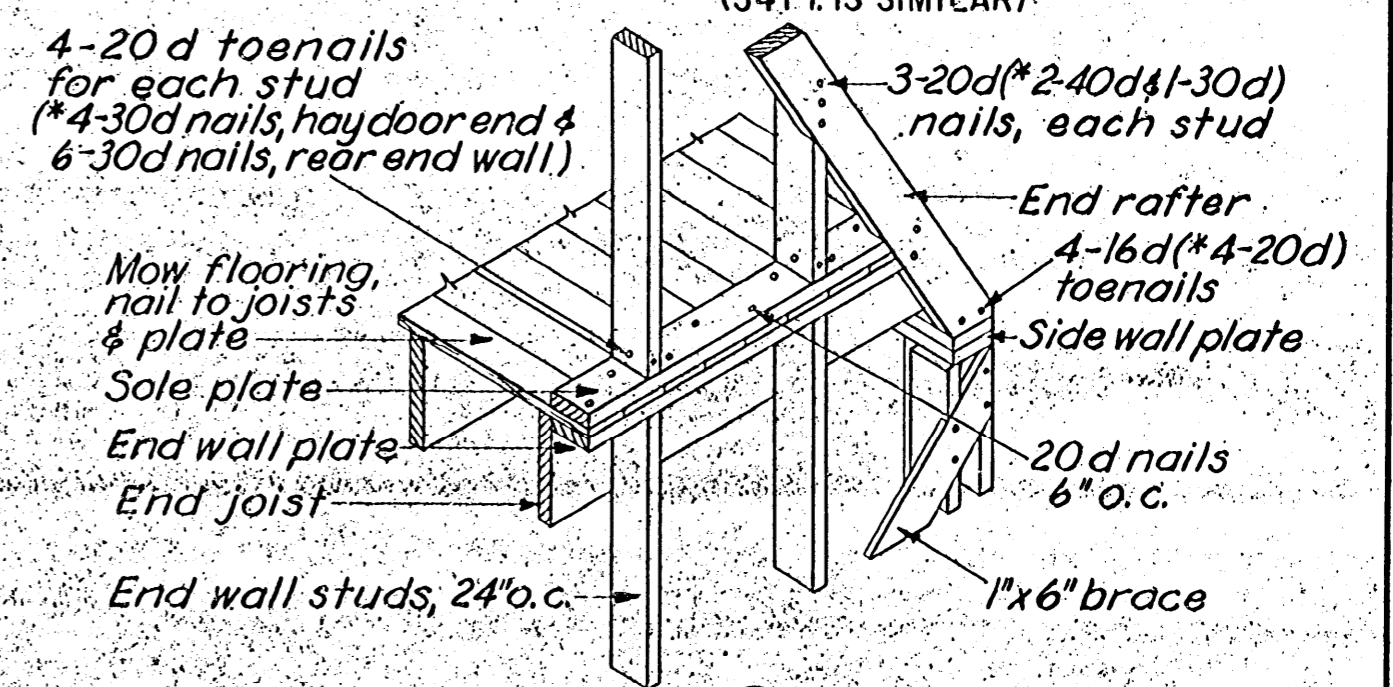
DETAIL (B)



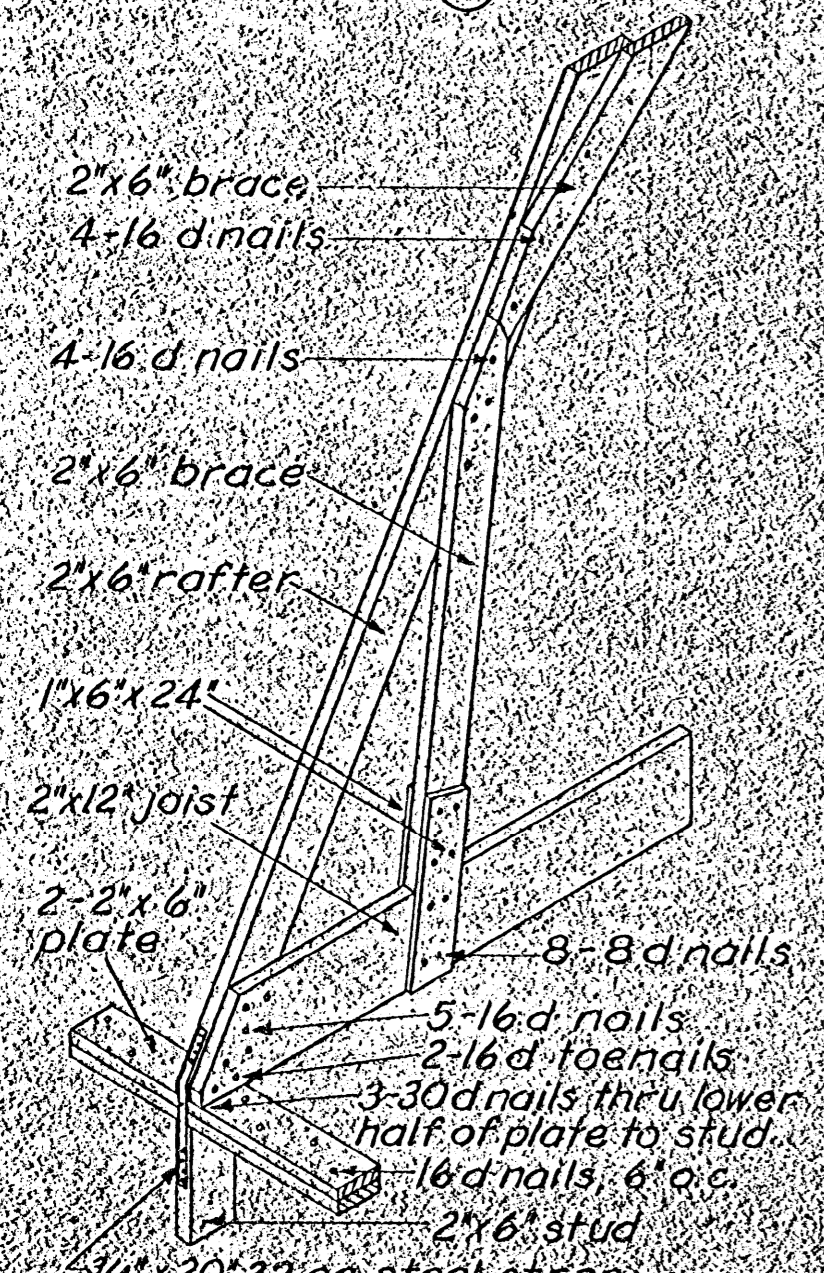
DETAIL (C)



CORNER DETAIL - PLAN VIEW

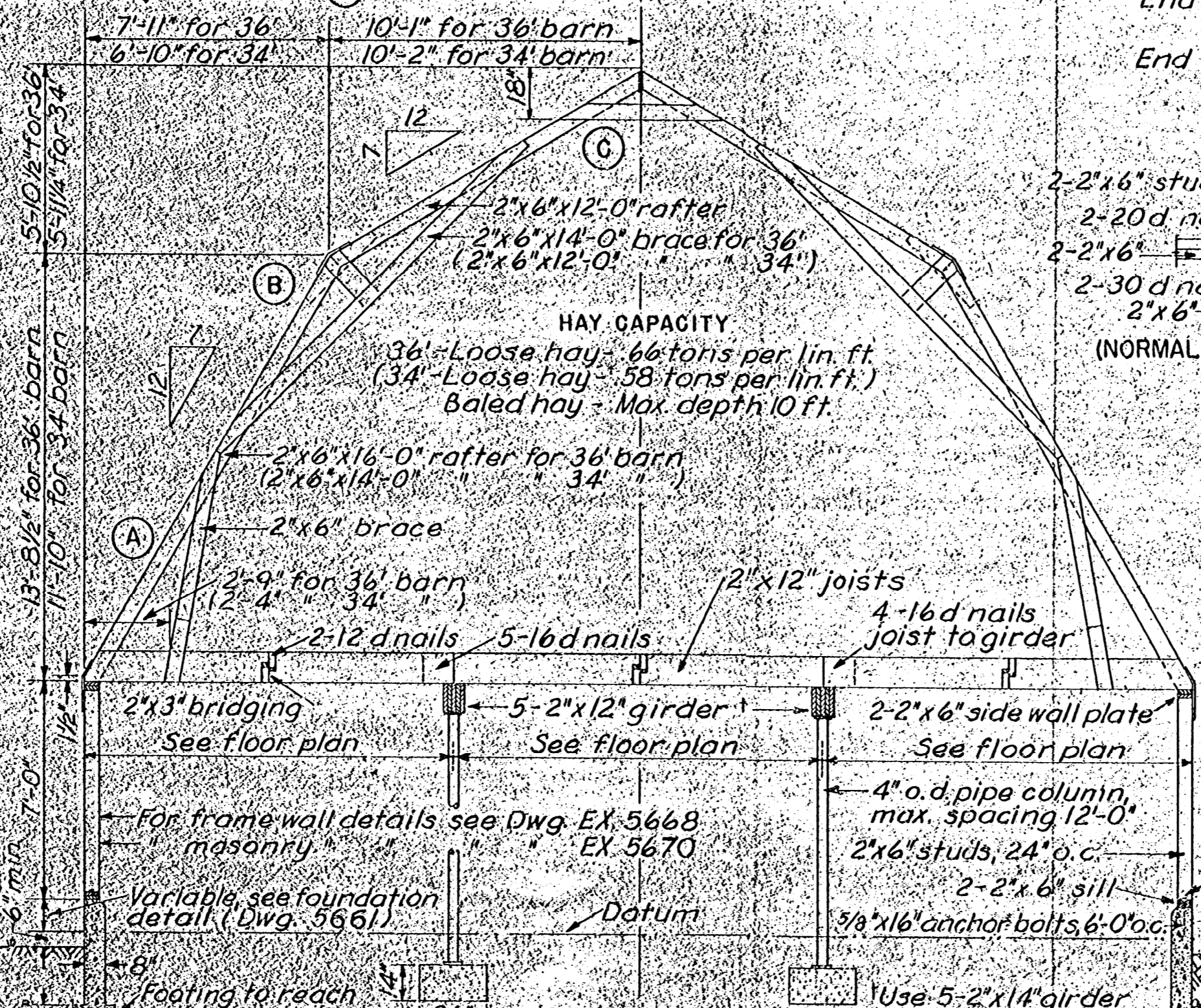


DETAIL (D)

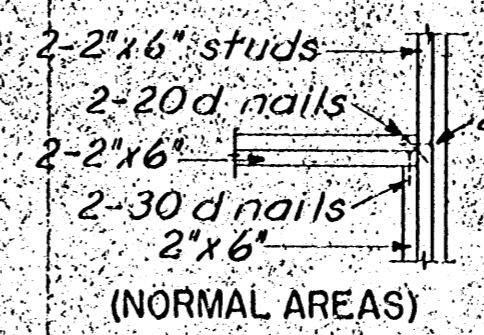


DETAIL (A)

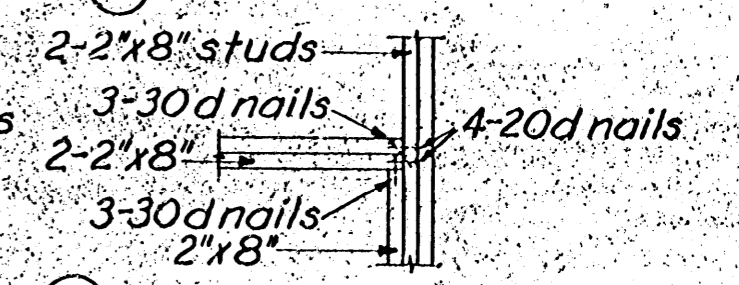
Scale: 1/2" = 1'-0" (All Details)



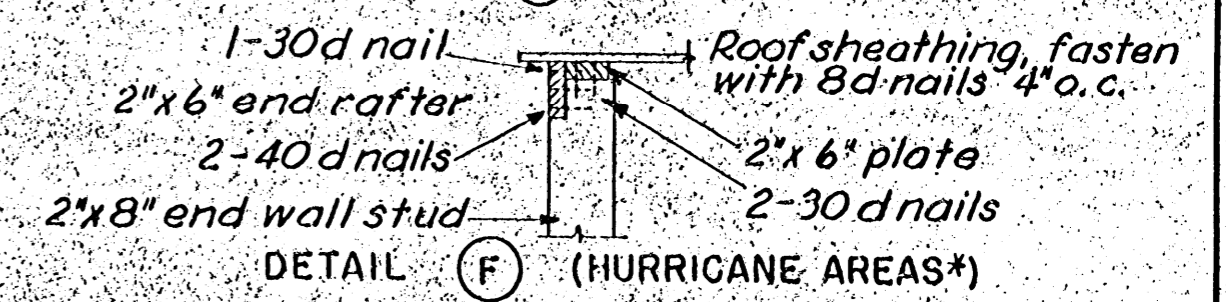
FRAMING CROSS SECTION  
Scale: 1/4" = 1'-0"



(NORMAL AREAS)



(HURRICANE AREAS\*)



DETAIL (F) (HURRICANE AREAS\*)

NOTE: All details and nailing marked with an asterisk (\*) are recommended for use in areas subject to hurricanes.

NOTE: In hurricane areas, 2"x8" sills, studs, and plates shall be used for end wall framing.

COOPERATIVE EXTENSION WORK IN AGRICULTURE AND HOME ECONOMICS  
STATE OF MISSISSIPPI  
MISSISSIPPI STATE UNIVERSITY  
AND  
UNITED STATES DEPARTMENT OF AGRICULTURE COOPERATING

1 1/2 STORY BRACED RAFTER BARN FRAMING  
34 FOOT & 36 FOOT WIDTH

USDA '48 EX. 5680 SHEET 1 OF 1