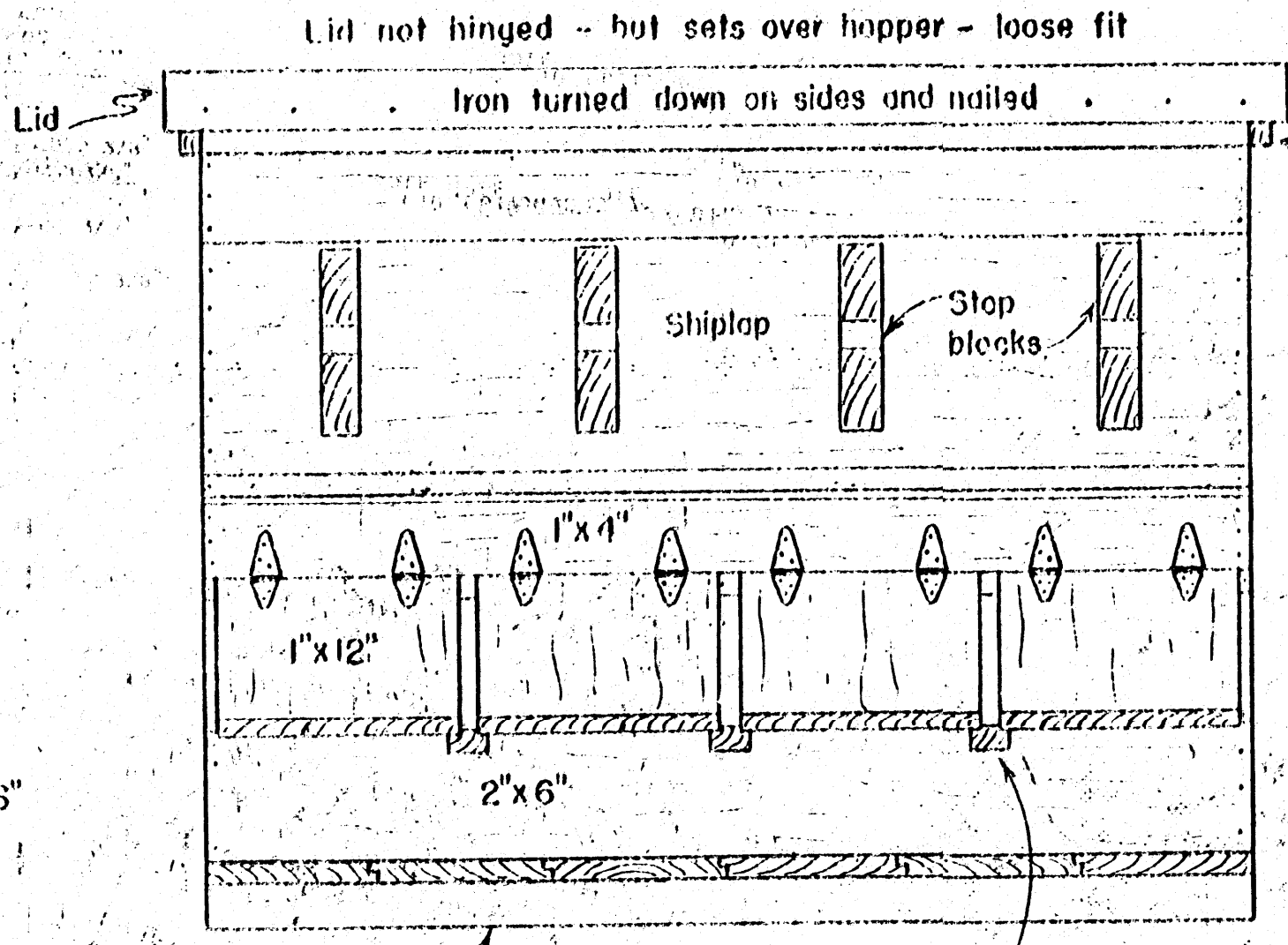
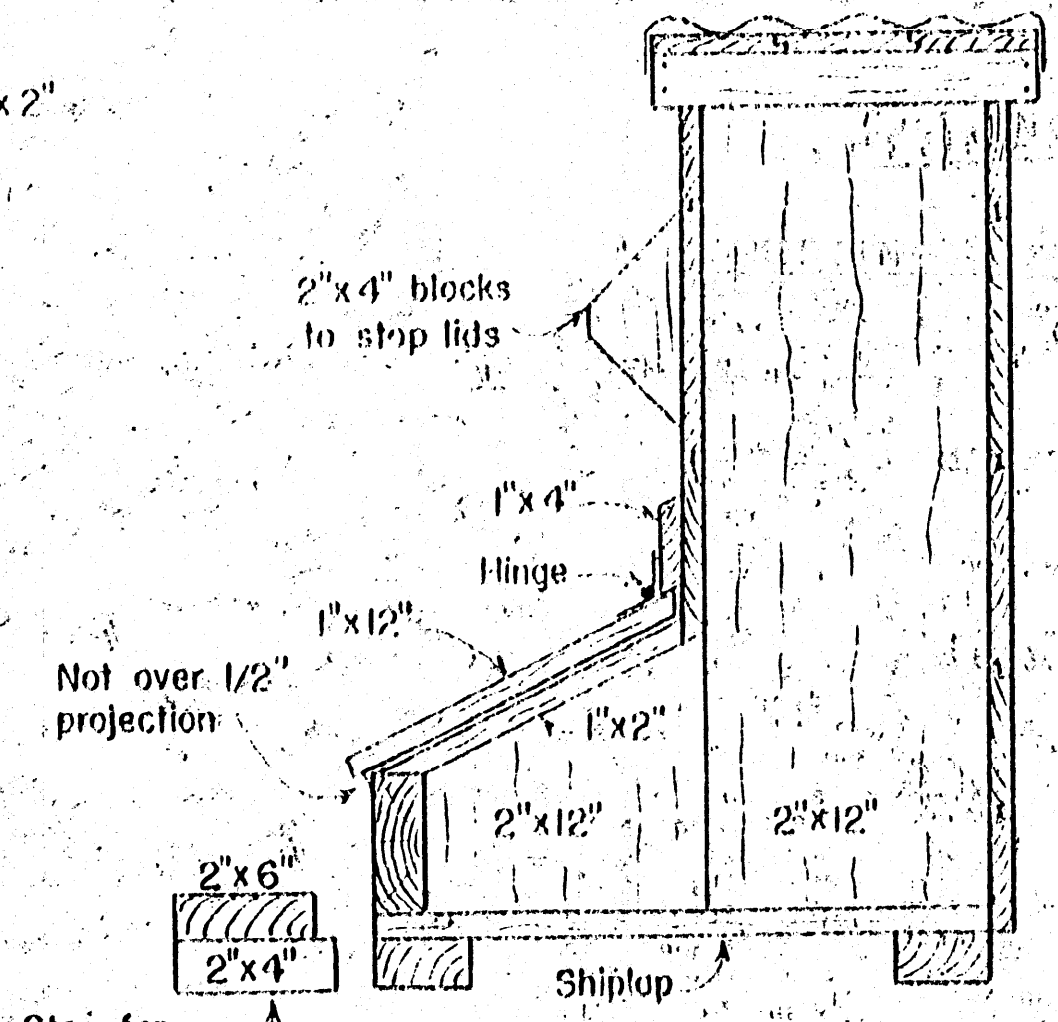


SECTION



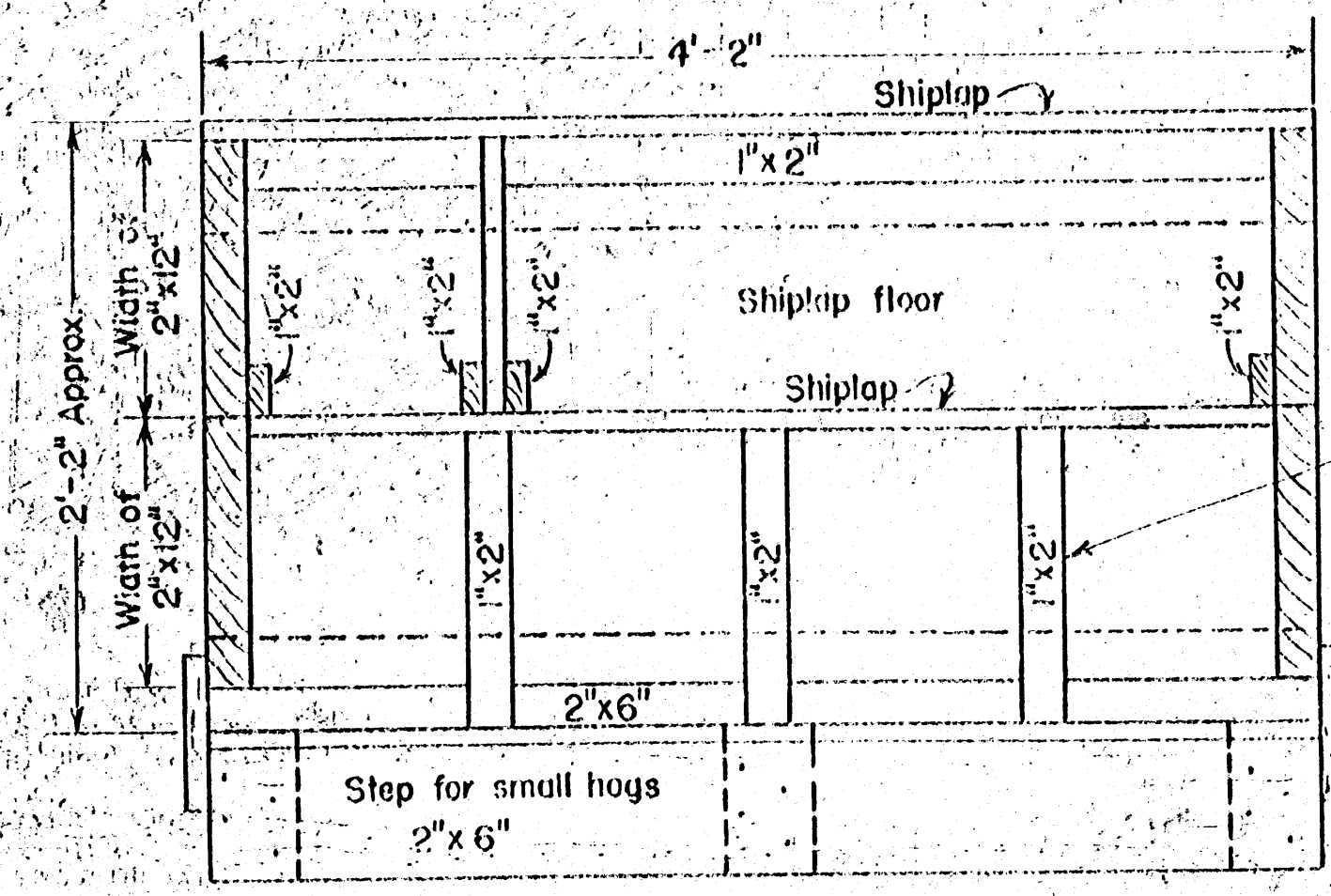
FRONT VIEW



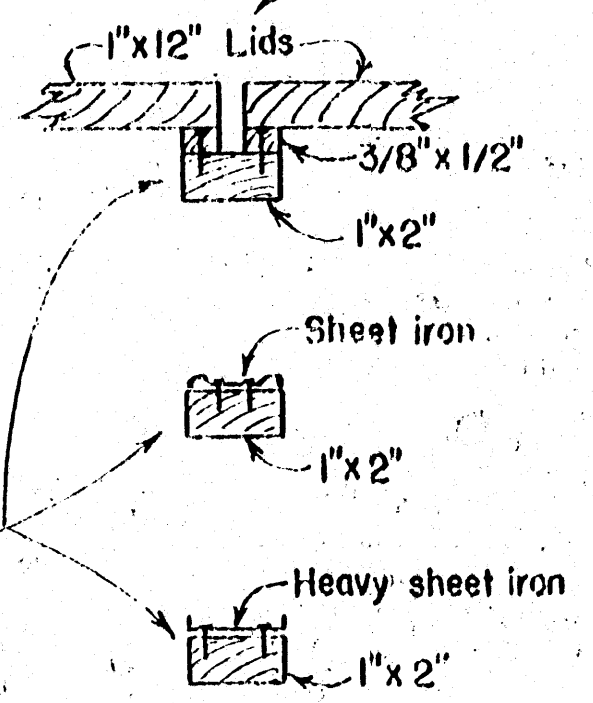
END VIEW

BILL OF MATERIAL

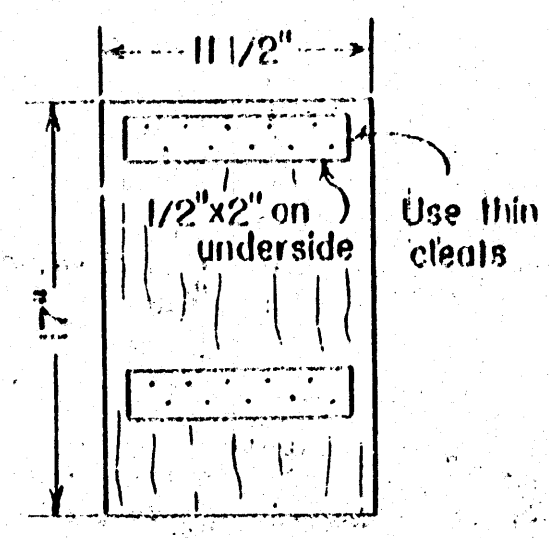
- 1- 2"x4"x10'
- 1- 2"x12"x8'
- 1- 2"x6"x9'
- 1- 1"x12"x14'
- 3- 1"x2"x12'
- 1- 1"x4"x4 1/2'
- 1- 1/2"x2"x8'
- 1- 3/8"x1/2"x10'
- 45 board feet shiplap (to cut 4'-2" and 2'-2")
- 1 piece sheet iron 2'x4'-9"
- 4 prs. - 4" strap-hinges (heavy)
- Paint, 1/4 gal.
- Nails, 16d, 8d, 6d, 4d, 3d



FLOOR PLAN



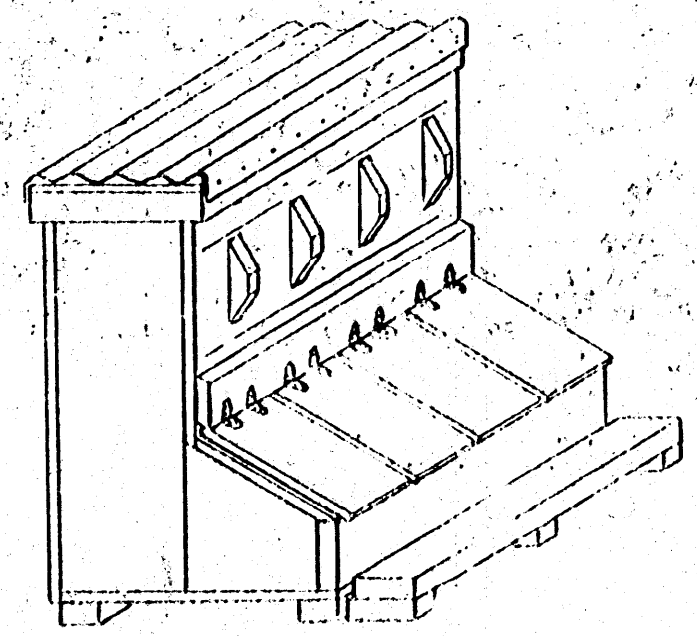
Three ways of rainproofing trough divider strips. Sections of 1"x2"s shown.



TROUGH LIDS

NOTE:  
Place feeders back to back for double feeder.

Scale: 1 1/2" = 1'-0"



PICTORIAL

COOPERATIVE EXTENSION WORK IN  
AGRICULTURE AND HOME ECONOMICS  
STATE OF MISSISSIPPI  
MISSISSIPPI STATE UNIVERSITY  
AND  
UNITED STATES DEPARTMENT OF AGRICULTURE COOPERATING

SELF-FEEDER FOR HOGS

TEXT ILLUSTRATION EX 5756 SHEET 1 OF 1