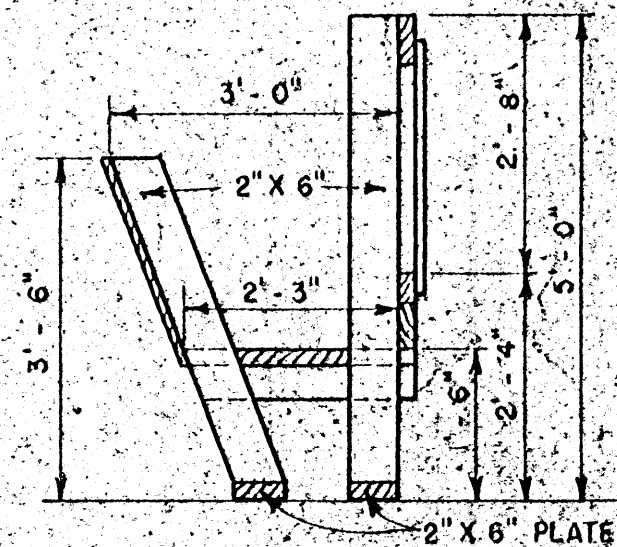
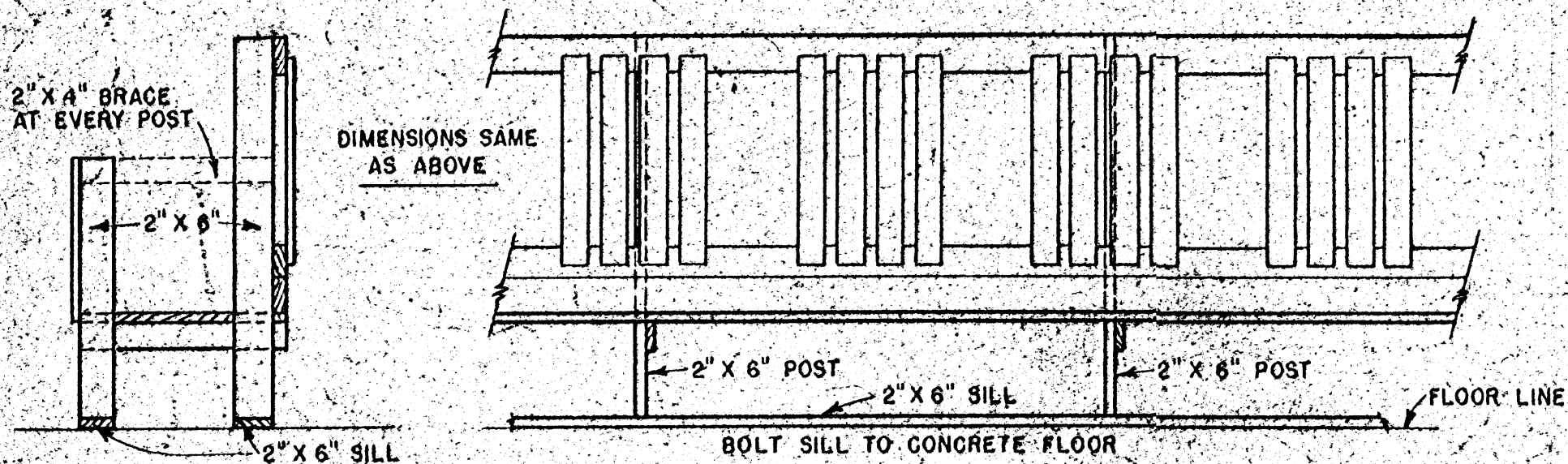


DETAILS OF FEEDING RACK  
(USING 4" POSTS FOR SUPPORT)

THIS RACK MAY BE USED FOR BOTH HAY AND SILAGE. IN FEEDING SILAGE IT IS NECESSARY THAT A FEED ALLEY BE PROVIDED.



ALTERNATE SECTION



DETAILS OF FEEDING RACK FOR CONCRETE FLOOR

**NOTE**

FOR SMALL ANIMALS THE OPENINGS SHOULD ONLY BE ABOUT 2' FROM THE FLOOR AND THEY MAY BE SPACED 2'-6" CENTER TO CENTER INSTEAD OF 3' AS SHOWN.

COOPERATIVE EXTENSION WORK IN  
AGRICULTURE AND HOME ECONOMICS  
STATE OF MISSISSIPPI  
MISSISSIPPI STATE UNIVERSITY  
AND  
UNITED STATES DEPARTMENT OF AGRICULTURE COOPERATING

**CATTLE FEEDING RACK**

VA. '53 EX. 5767 SHEET 1 OF 1