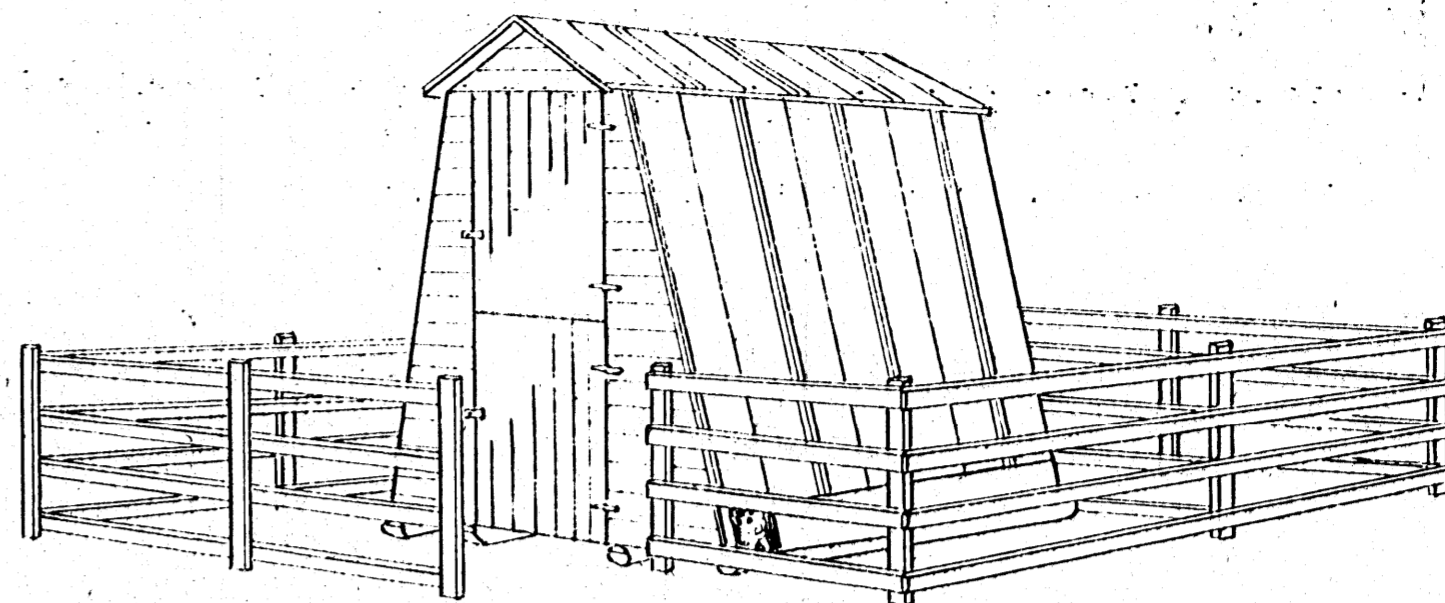
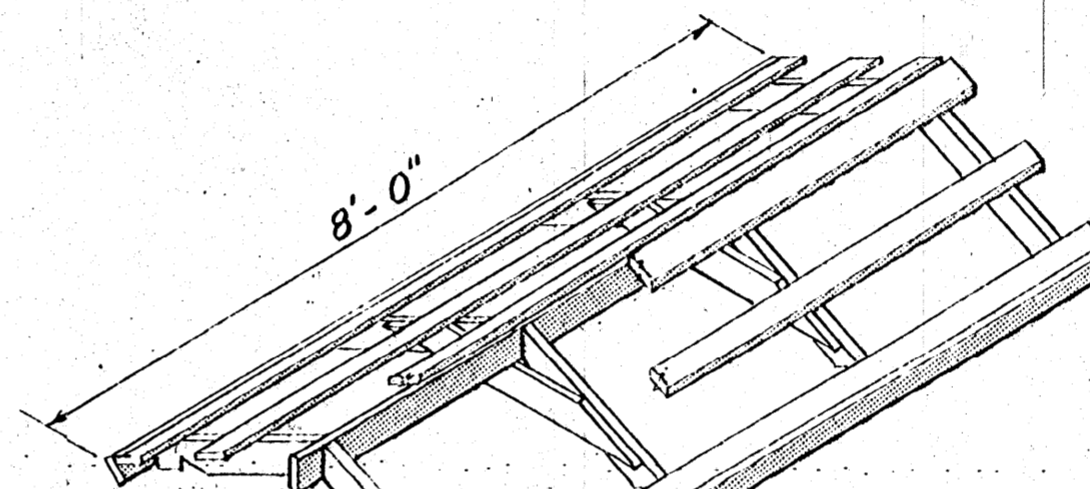


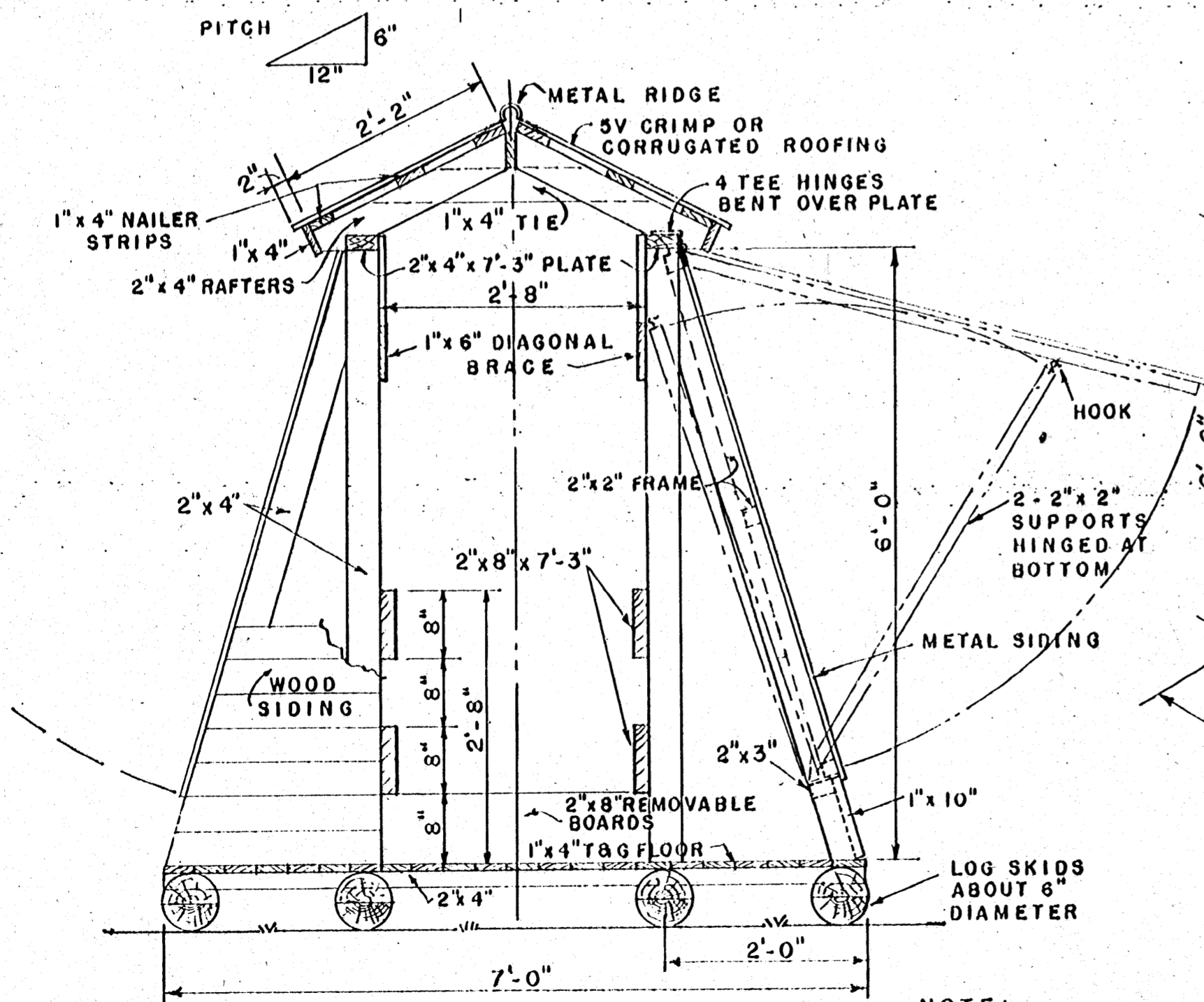
PLAN SHOWING SINGLE OR DOUBLE LAYOUT
SCALE 1/4" = 1'-0"



PERSPECTIVE

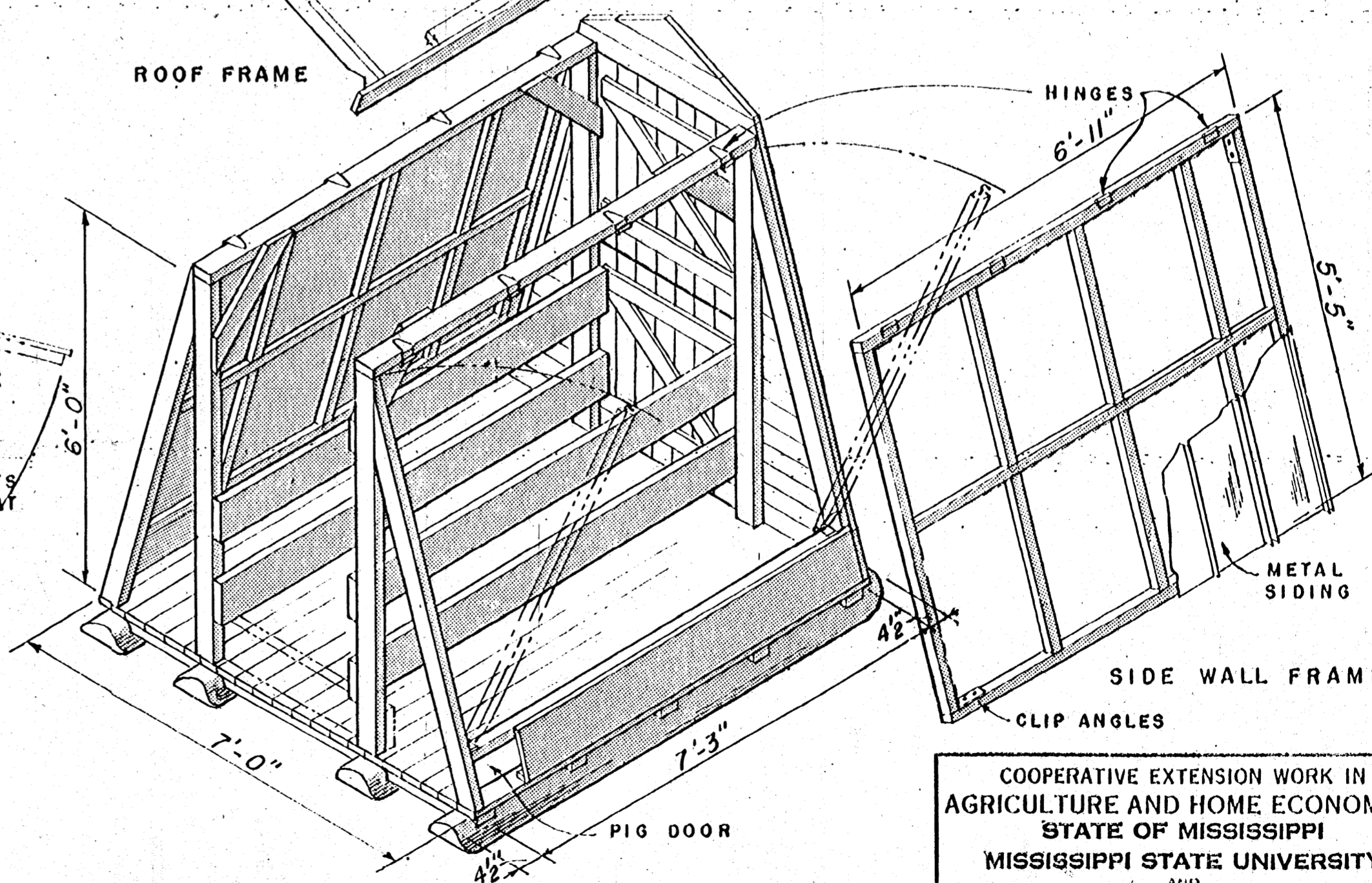


ROOF FRAME



END ELEVATION
SCALE 3/4" = 1'-0"

NOTE:-
IT IS RECOMMENDED THAT
ALL WOOD PARTS BE TREATED
WITH PRESERVATIVE
AFTER CUTTING.



ISOMETRIC
(SHOWING CONSTRUCTION)

COOPERATIVE EXTENSION WORK IN
AGRICULTURE AND HOME ECONOMICS
STATE OF MISSISSIPPI
MISSISSIPPI STATE UNIVERSITY
AND
UNITED STATES DEPARTMENT OF AGRICULTURE COOPERATING

PORTABLE
FARROWING PEN

FLA. '54 EX. 5770 SHEET 1 OF 1