

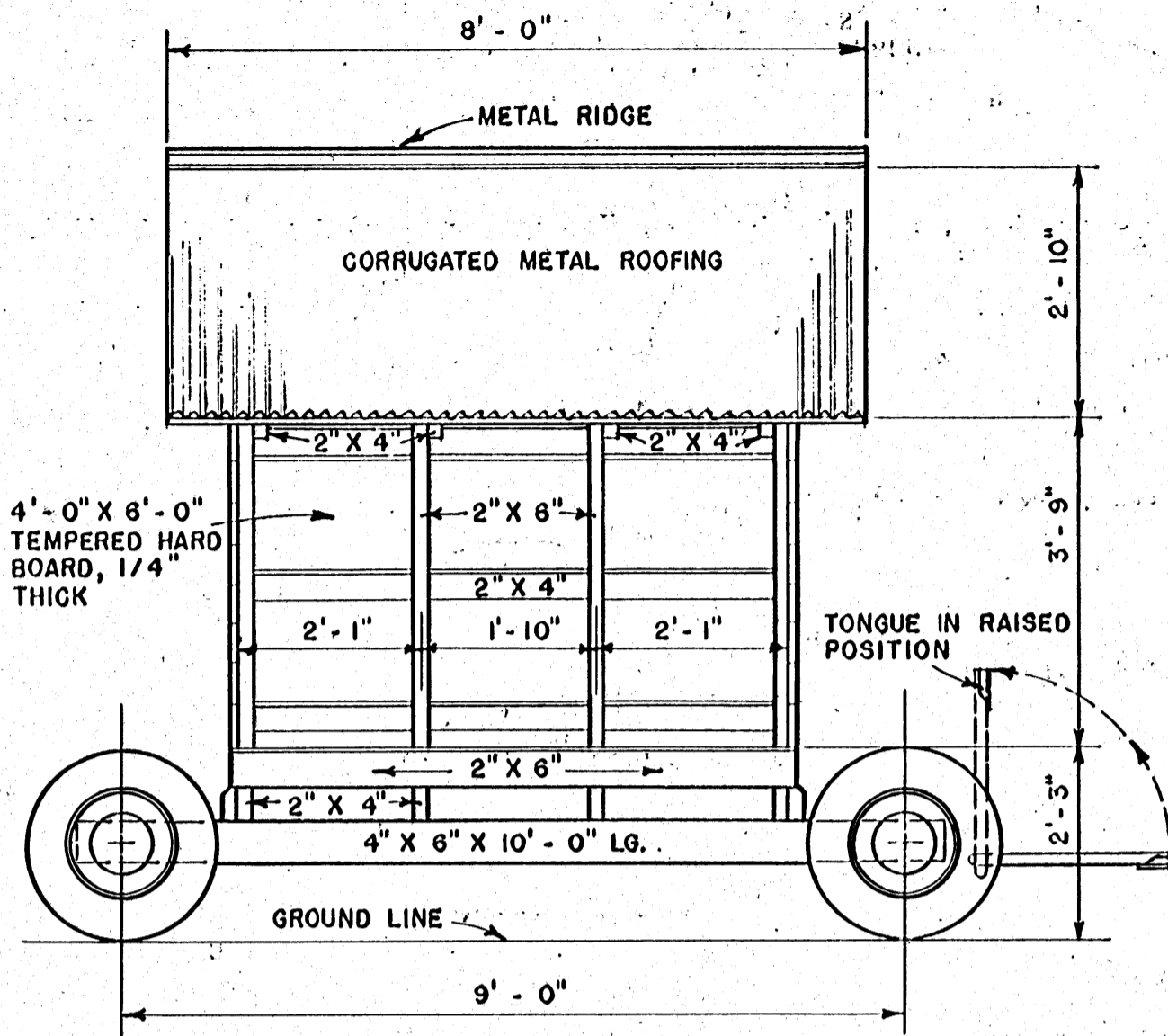
BILL OF MATERIALS

LUMBER

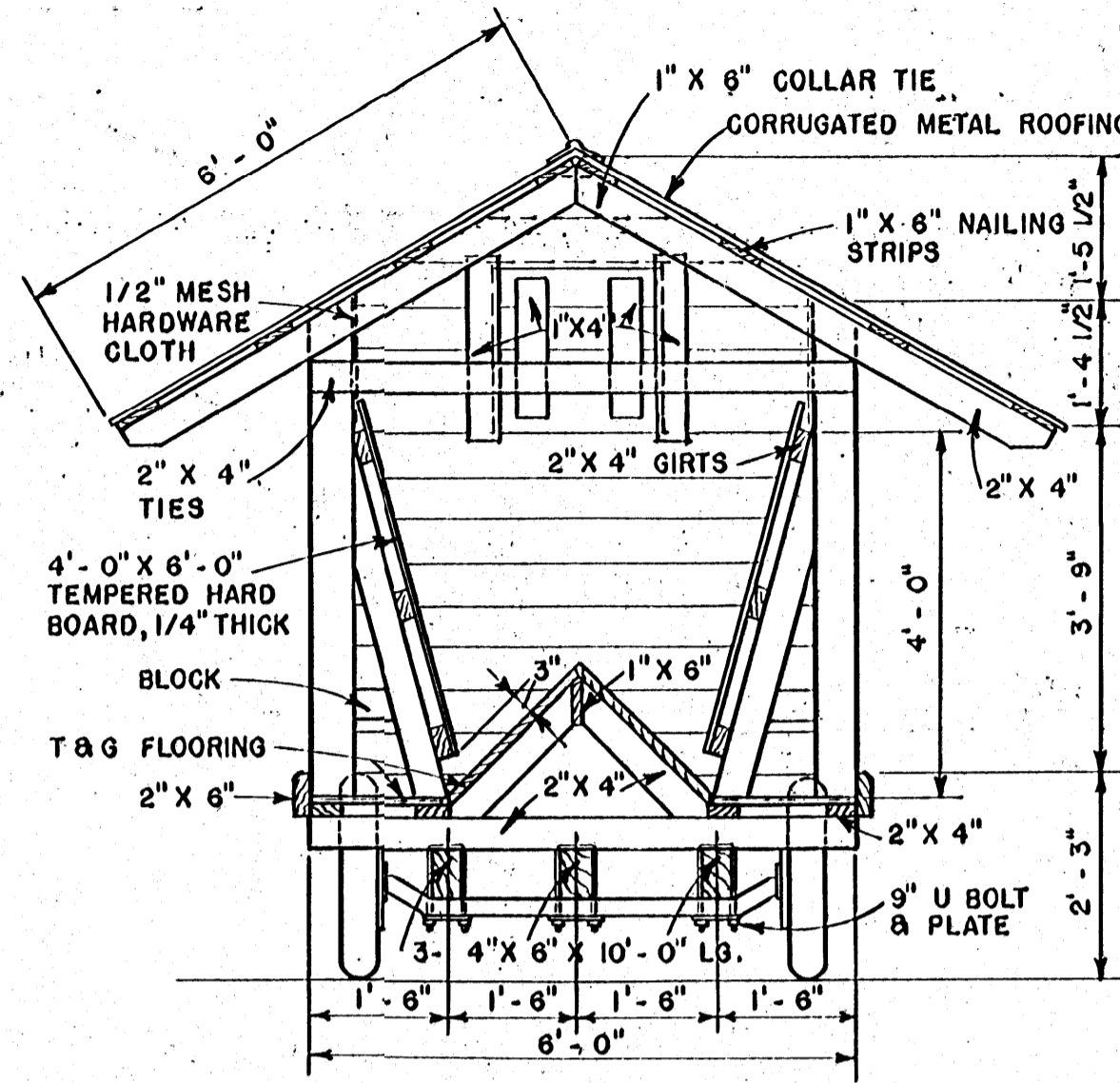
3 - 4" X 6" X 10'-0"	SILLS
6 - 2" X 4" X 6'-0"	JOISTS
4 - 2" X 4" X 6'-0"	TROUGH JOISTS (FLAT)
2 - 2" X 6" X 6'-2"	TROUGH SIDES
8 - 2" X 4" X 2'-0"	HOPPER FLOOR BRACES
1 - 1" X 6" X 6'-0"	HOPPER RIDGE
17 - 1" X 6" X 6'-0"	T & G SHEATHING
8 - 2" X 6" X 6'-0"	STUDS
4 - 2" X 4" X 8'-0"	SLANTING BRACES
6 - 2" X 4" X 6'-0"	BIN GIRTS
2 - 2" X 4" X 6'-0"	CROSS TIES
8 - 2" X 4" X 6'-0"	RAFTERS
8 - 1" X 6" X 8'-0"	ROOF NAILING STRIPS
2 - 1" X 4" X 8'-0"	VERGE BOARD
2 - 1" X 4" X 8'-0"	DOOR FRAMING
2 - 1" X 6" X 2'-0"	COLLAR TIES
90 FT. B.M. 1" X 6"	SHIPLAP SIDING

MISCELLANEOUS

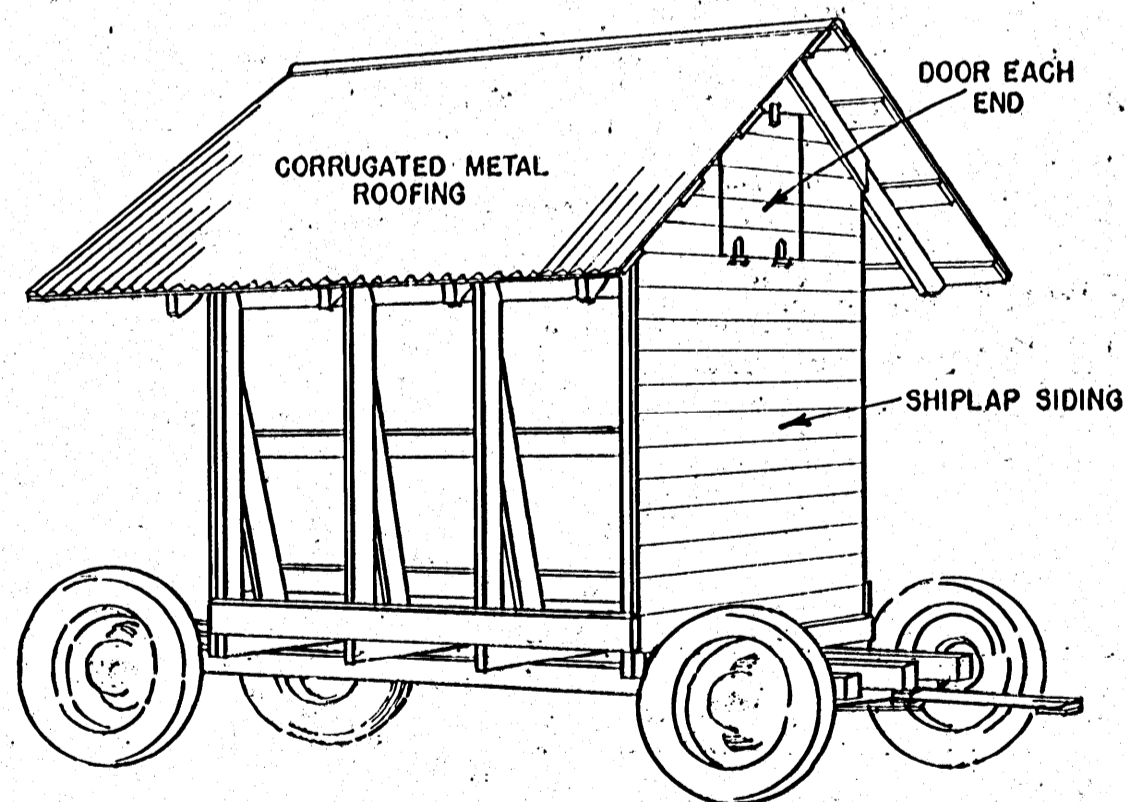
- 4 LBS 8d COMMON NAILS
- 3 LBS 10d COMMON NAILS
- 1 LB 16d COMMON NAILS
- 2 PAIR 6" TEE HINGES
- 2 SHEETS 4'-0" X 6'-0" TEMPERED HARD BOARD, 1/4" THICK
- 8 SHEETS 26" WIDE X 6'-0" METAL ROOFING
- 1 METAL RIDGE 8'-0" LONG
- 7 L.F. 1/2" MESH HARDWARE CLOTH, 36" WIDE



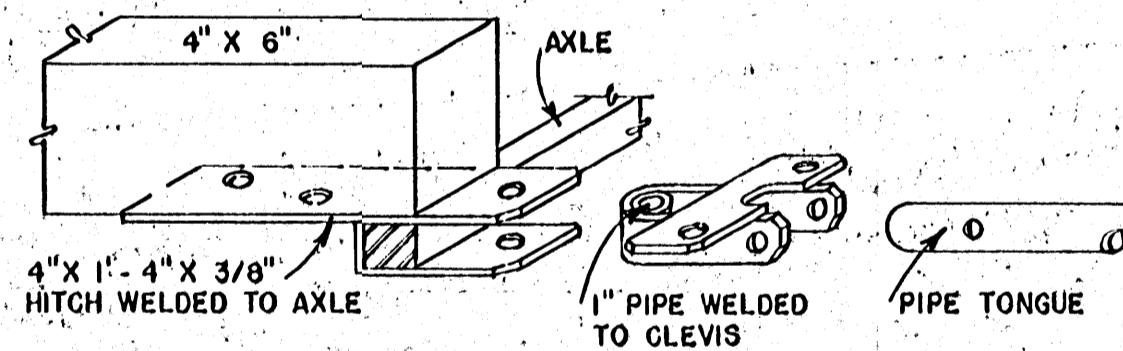
ELEVATION
SCALE: 1/2" = 1'-0"



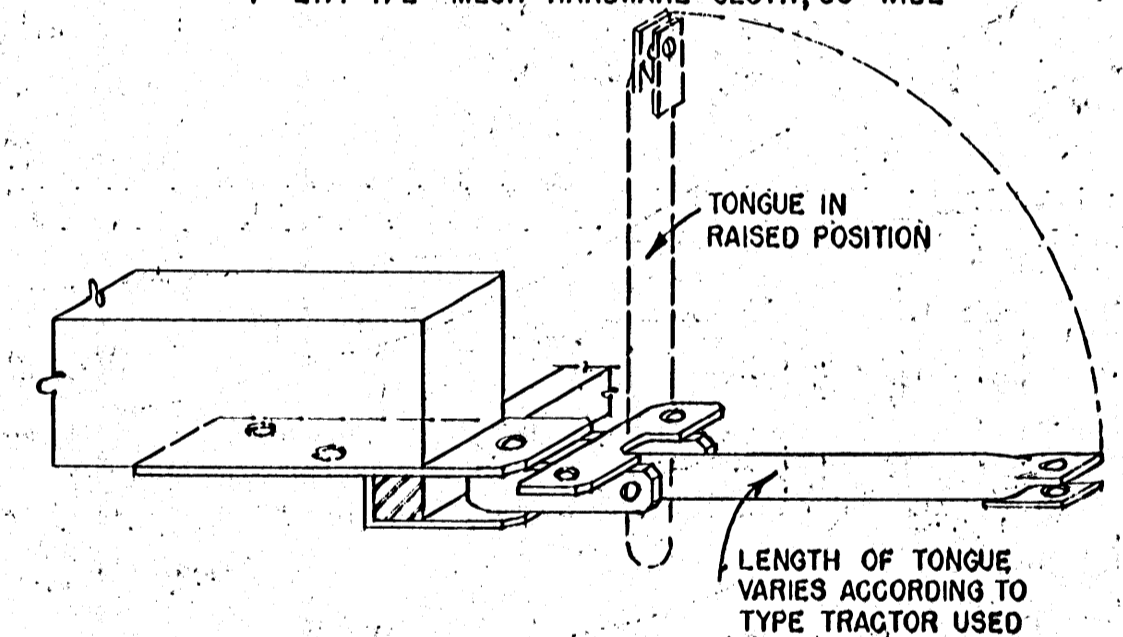
CROSS SECTION
SCALE: 1/2" = 1'-0"



PERSPECTIVE



ISOMETRIC VIEW SHOWING PARTS FOR HITCH
(SIZES VARY ACCORDING TO TYPE OF AXLE USED)



ASSEMBLED VIEW OF HITCH

HITCH DETAILS
SCALE: 1/2" = 1'-0"

NOTES

1. 600 X 16 WHEEL AND AXLE ASSEMBLY INDICATED. OTHER ASSEMBLIES MAY BE SUBSTITUTED WITH NECESSARY MODIFICATION PROVIDED FEED TROUGH HEIGHT AS SHOWN IS MAINTAINED.
2. CAPACITY: APPROXIMATELY 80 BU. GROUND FEED.

COOPERATIVE EXTENSION WORK IN AGRICULTURE AND HOME ECONOMICS

AND UNITED STATES DEPARTMENT OF AGRICULTURE COOPERATING

MOVABLE SELF FEEDER FOR CATTLE

USDA '53 EX. 5776 SHEET 1 OF 1