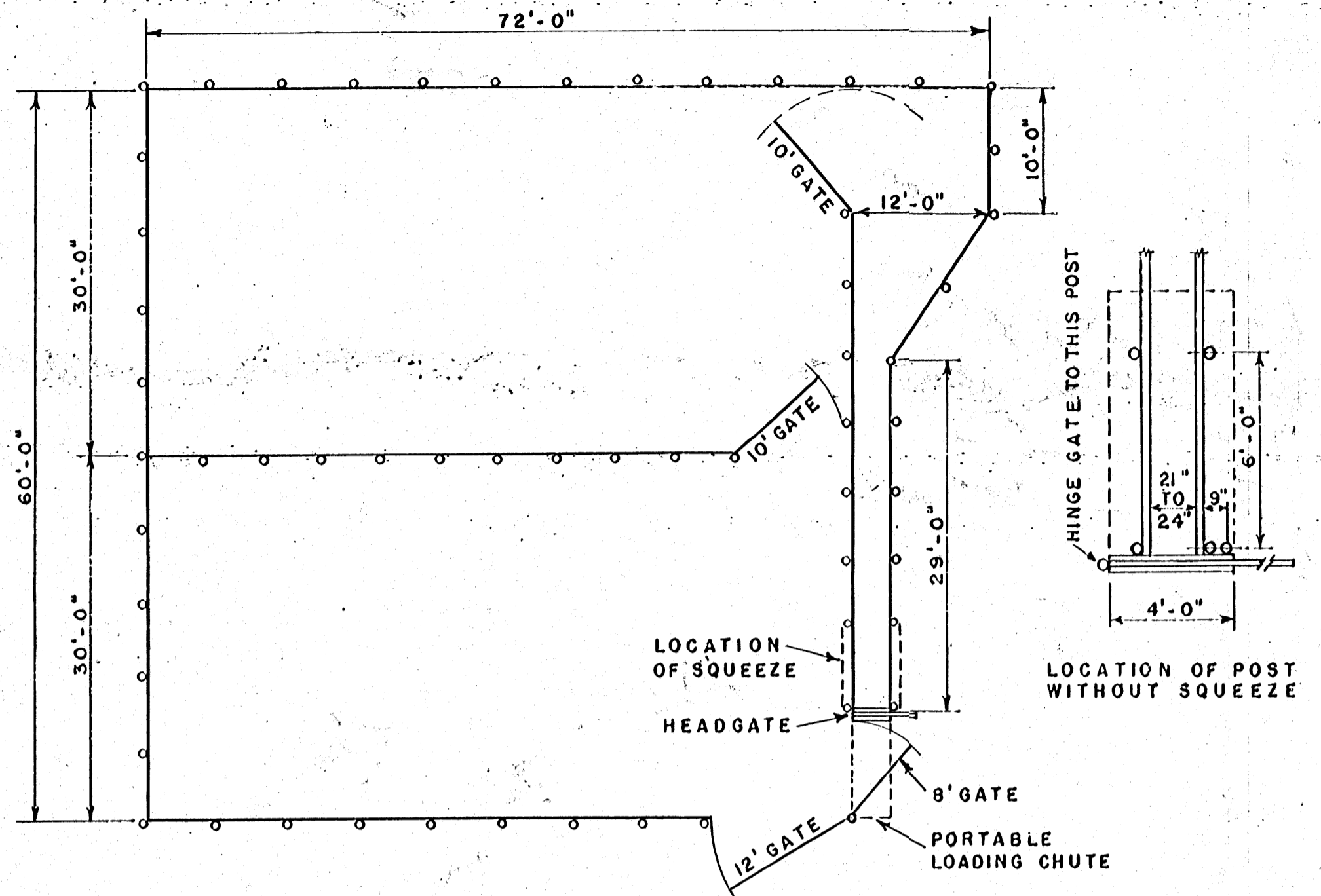
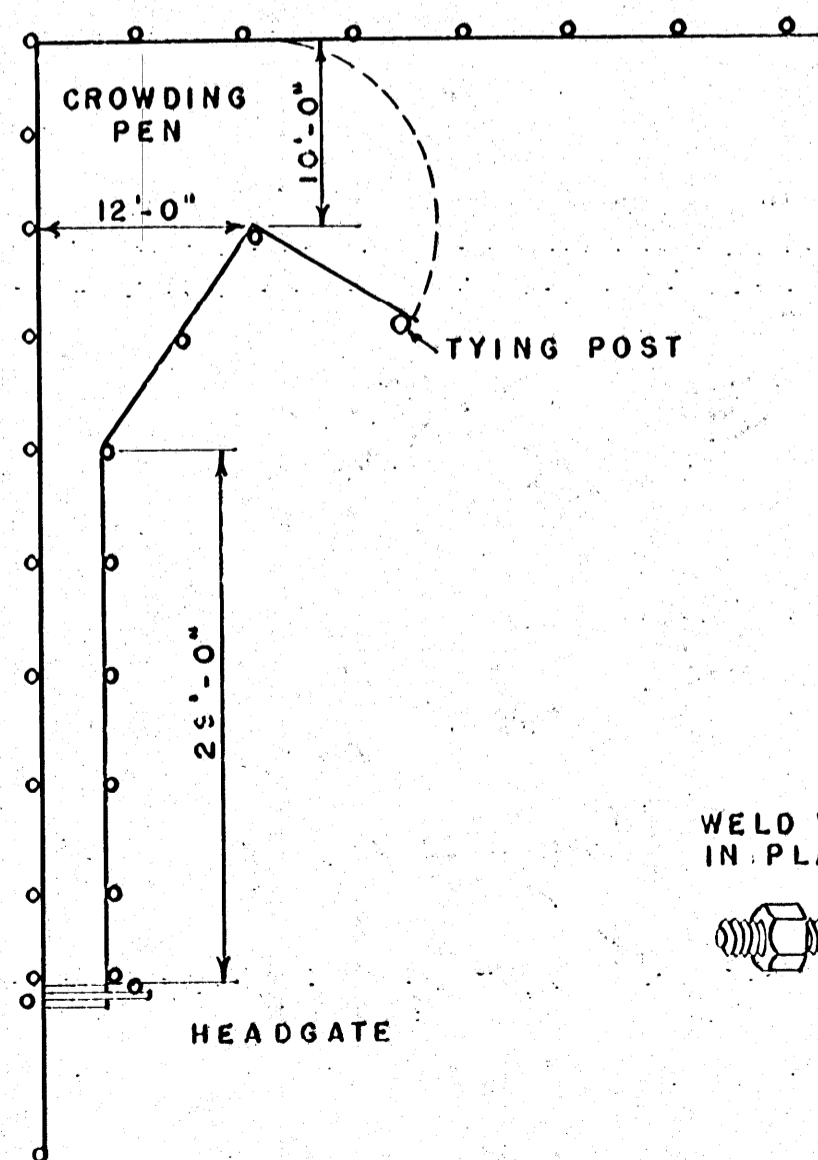


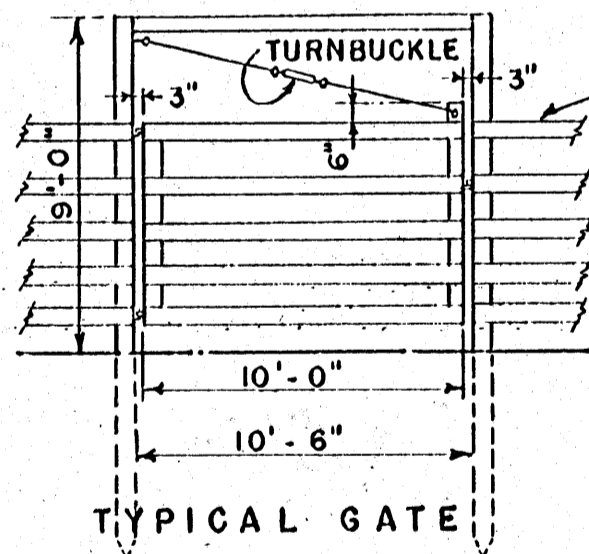
PLAN NO. 1
WITH INTERIOR WORKING CHUTE



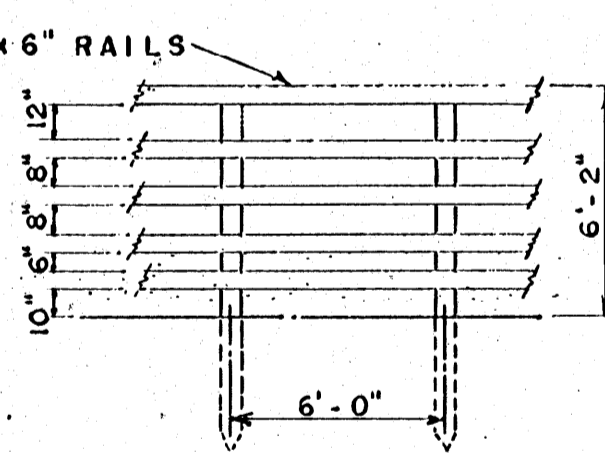
PLAN NO. 2
WITH OUTSIDE WORKING CHUTE



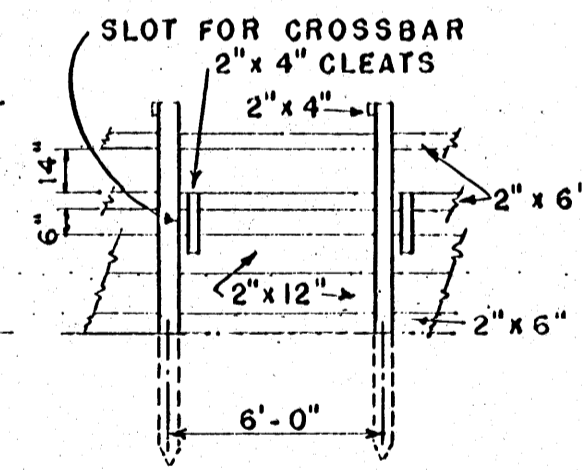
PLAN OF CHUTE
IN CORNER OF PASTURE



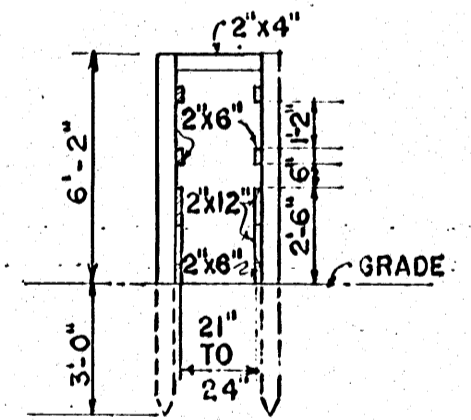
TYPICAL GATE



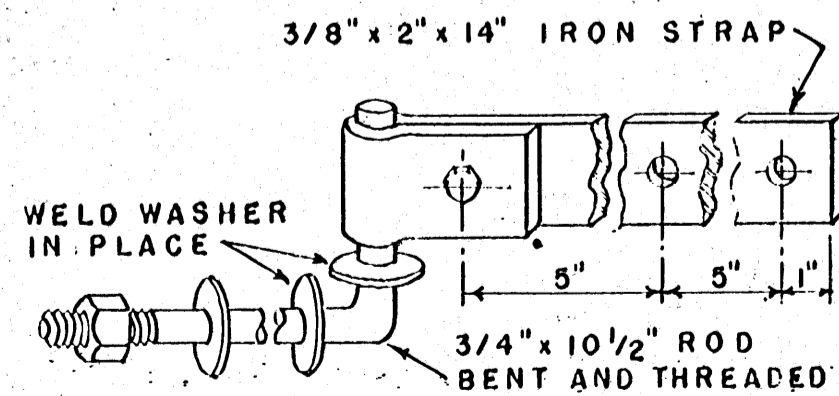
TYPICAL LINE FENCE



TYPICAL CHUTE

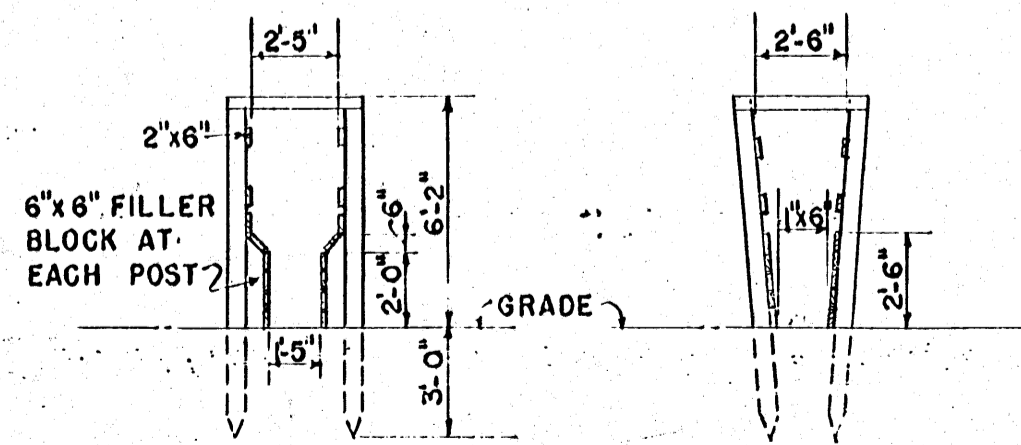


SECTION
THRU CHUTE



TYPICAL GATE HINGE

NOTE: USE DOUBLE ACTING
GATE LATCHES - SUCH AS
RING LATCH.



SECTIONS THRU ALTERNATE CHUTES

NOTE: DIMENSIONS OF CHUTES VARY
DEPENDING ON SIZE OF CATTLE

COOPERATIVE EXTENSION WORK IN
AGRICULTURE AND HOME ECONOMICS

AND
UNITED STATES DEPARTMENT OF AGRICULTURE COOPERATING

CORRAL LAYOUT
AND TYPICAL DETAILS

TENN. '53 EX. 5790 SHEET 1 OF 1