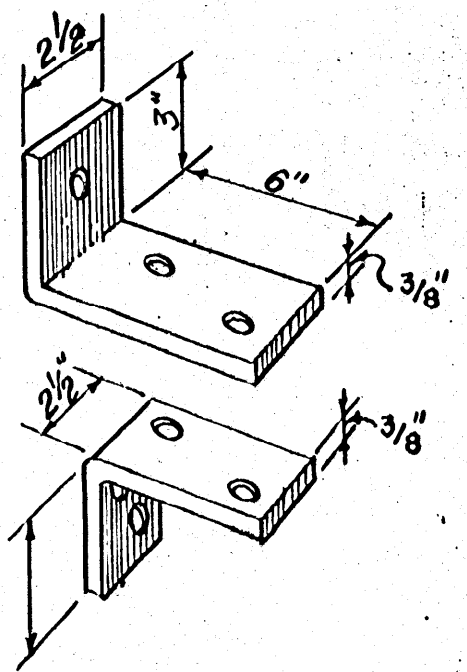


NOTE:-  
IT IS RECOMMENDED THAT ALL WOOD BE TREATED WITH WOOD PRESERVATIVE AFTER CUTTING.



COOPERATIVE EXTENSION WORK IN  
AGRICULTURE AND HOME ECONOMICS  
STATE OF MISSISSIPPI  
MISSISSIPPI STATE UNIVERSITY  
UNITED STATES DEPARTMENT OF AGRICULTURE COOPERATING  
PO BOX 5799 LOADING CHUTE FOR HOGS  
USDA 5799 SHEET 1 OF 1