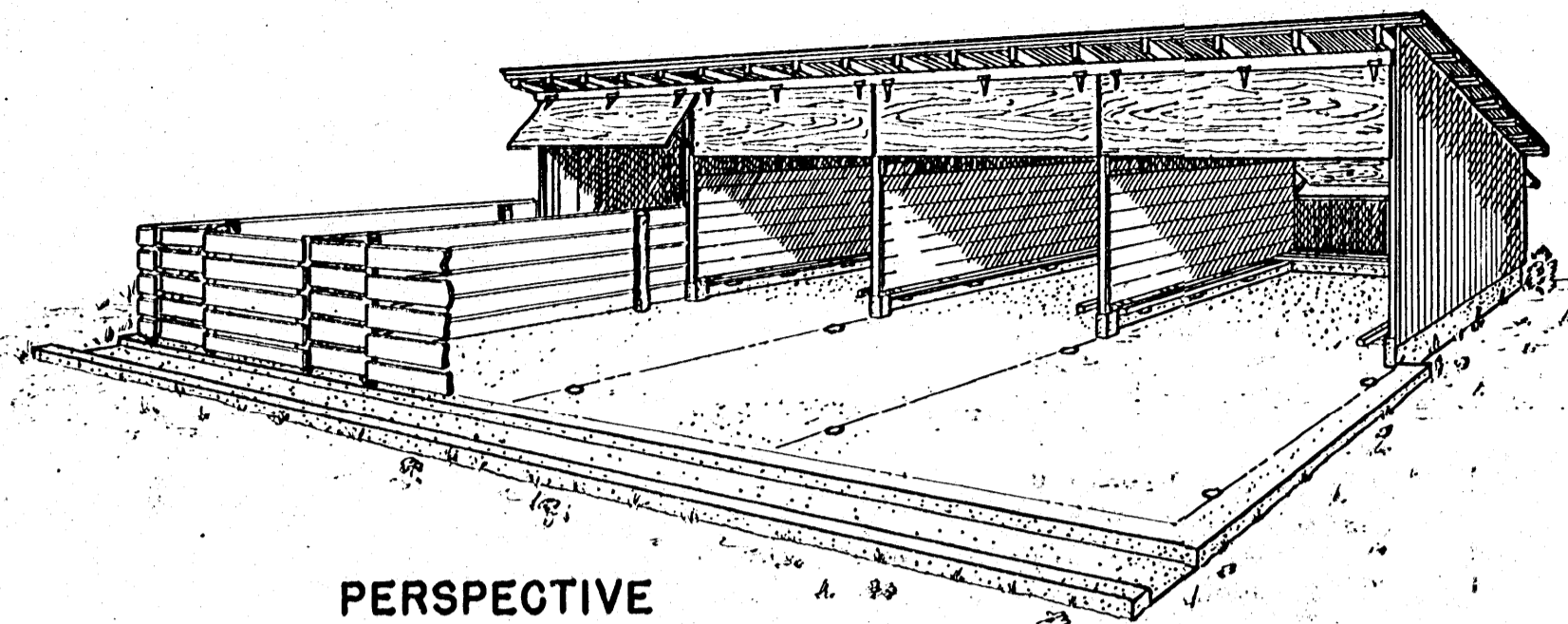
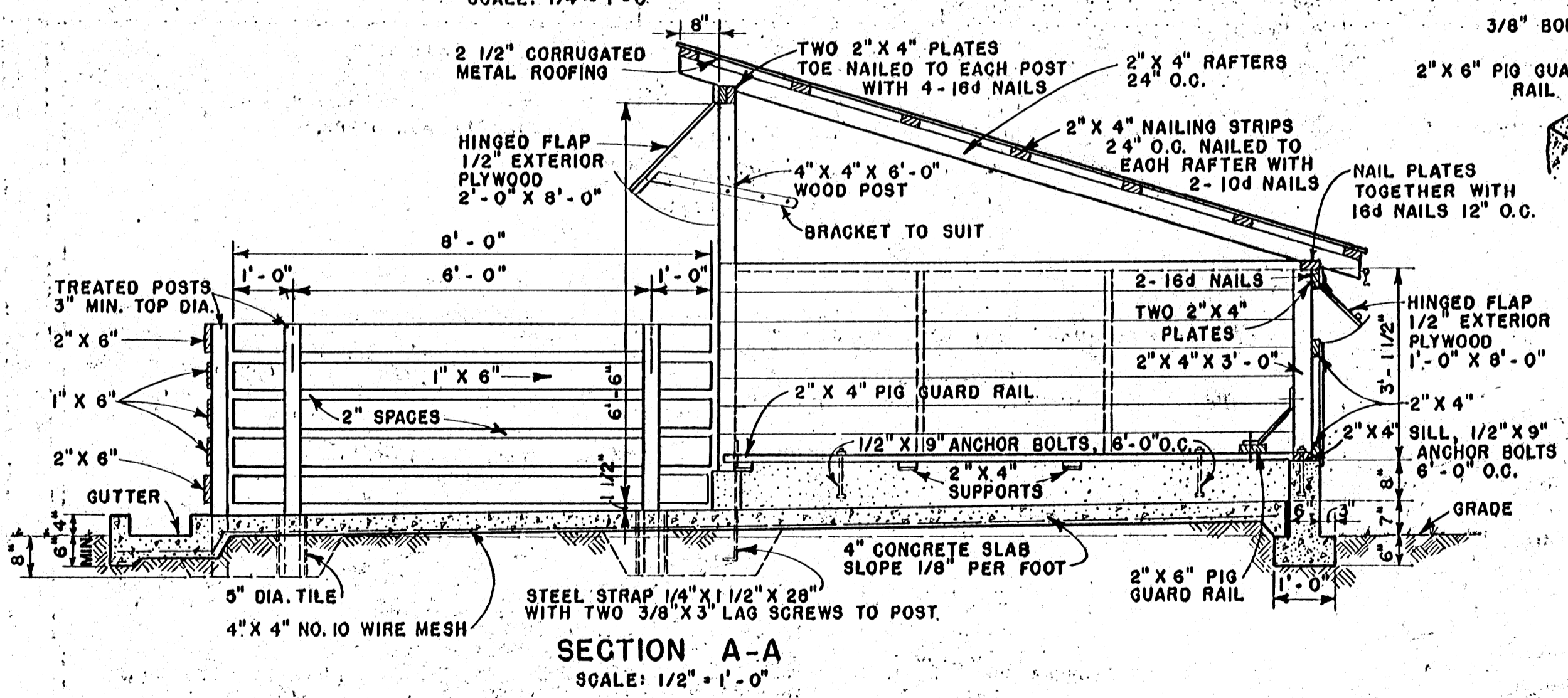


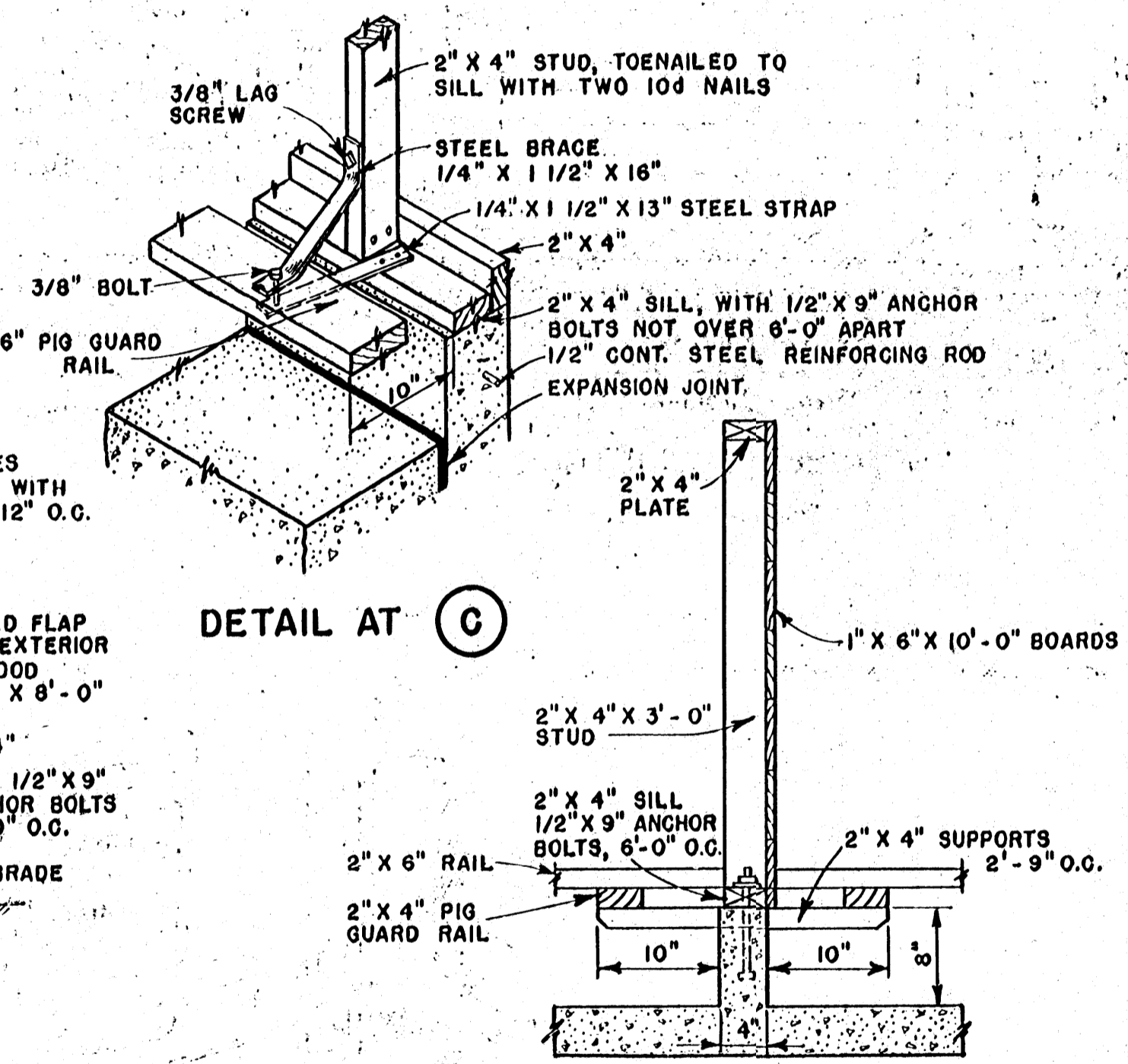
**PLAN**  
SCALE: 1/4" = 1'-0"



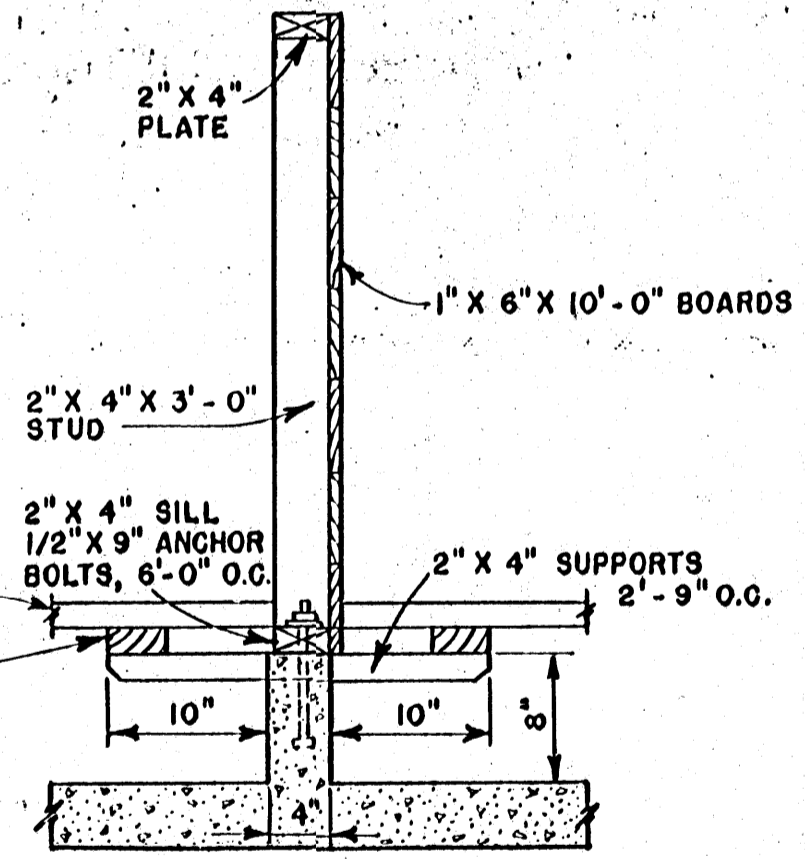
**PERSPECTIVE**



**SECTION A-A**  
SCALE: 1/2" = 1'-0"



**DETAIL AT C**



**SECTION B-B**  
TYPICAL PARTITION  
SCALE: 1" = 1'-0"

**LIST OF MATERIALS**

THIS LIST OF MATERIALS IS PREPARED FOR ESTIMATING PURPOSES. IF USED FOR THE PURCHASE OF MATERIALS, THE QUANTITIES SHOULD BE VERIFIED BY THE BUILDER.

ITEM	SIZE	PIECES	ITEM	SIZE	PIECES
CONCRETE: 1: 2 1/2: 3 1/2 MIX		12 CU.YD.	OUTER FENCE & GATES	1" X 6" X 8'-0"	12
CEMENT		72 SACKS	" " " "	1" X 6" X 10'-0"	4
SAND		6 CU.YD.	PLATE	2" X 4" X 18'-0"	8
GRAVEL		8 1/2 CU.YD.	RAFTERS	2" X 4" X 12'-0"	17
LUMBER:			NAILING STRIPS	2" X 4" X 18'-0"	14
POLES (PRESSURE TREATED 3" TOP DIA.)	5' LONG	19	NAILING GIRTS	2" X 4" X 12'-0"	4
POSTS	4" X 4" X 10'-0"	5	" " " "	2" X 4" X 10'-0"	10
STUDS	2" X 4" X 12'-0"	3	SIDING, TAG	1" X 6"	228 BD.FT.
SILL	2" X 4" X 12'-0"	2	PARTITIONS	1" X 6" X 10'-0"	21
SILL & PLATE	2" X 4" X 10'-0"	9	VENTILATING FLAPS (CUT FROM 1/2" EXT. PLY.)	4" X 8"	3
PIG GUARD RAIL & SUPPORTS	2" X 6" X 8'-0"	4	ROOFING & HARDWARE: CORRUGATED METAL-	26" X 12"	17 SHEETS
" " " "	2" X 4" X 10'-0"	8	REINFORCING ROD	1/2" ROUND	54 FT.
" " " "	2" X 4" X 12'-0"	3	ANCHOR BOLTS	1/2" X 9"	16
BROODER FENCE	2" X 4" X 8'-0"	2	VENTILATING FLAP-HINGES	4" X 8"	12 PR.
" " " "	2" X 6" X 12'-0"	4	GATE HASPS (SWIVEL TYPE)	" " " "	4
" " " "	1" X 6" X 12'-0"	4	GATE-SCREW HOOK & STRAP HINGE	" " " "	4 PR.
REMOVABLE FENCE	1" X 6" X 8'-0"	25	BRACE & STRAPS (STEEL)	8"	4 PR.
OUTER FENCE & GATES	2" X 6" X 8'-0"	8	REINFORCING WELDED WIRE MESH	1/4" X 1 1/2" 4" X 4" NO.10	256 FT. 704 SQ.FT.

COOPERATIVE EXTENSION WORK IN  
AGRICULTURE AND HOME ECONOMICS  
STATE OF MISSISSIPPI  
MISSISSIPPI STATE UNIVERSITY  
AND  
UNITED STATES DEPARTMENT OF AGRICULTURE COOPERATING

**FARROWING HOUSE**

ALA. '56 EX. 5817 SHEET 1 OF 1