

| APPROXIMATE CAPACITIES |           |               |                |          |          |                                   |
|------------------------|-----------|---------------|----------------|----------|----------|-----------------------------------|
| FEEDING PERIOD →       | HEAD SIZE | WIDTH OF SILO | LENGTH OF SILO |          |          | CAPACITY FOR EACH 6 FT. OF LENGTH |
|                        |           |               | 120 DAYS       | 175 DAYS | 210 DAYS |                                   |
|                        |           |               | 60 FT.         | 78 FT.   | 90 FT.   |                                   |
|                        | 30 HEAD   | 16 FT.        | 114 TONS       | 163 TONS | 196 TONS | 16 TONS                           |
|                        | 37 "      | 20 "          | 141 "          | 202 "    | 242 "    | 20 "                              |
|                        | 44 "      | 24 "          | 168 "          | 240 "    | 288 "    | 24 "                              |
|                        | 52 "      | 28 "          | 195 "          | 278 "    | 334 "    | 28 "                              |
|                        | 59 "      | 32 "          | 222 "          | 317 "    | 380 "    | 32 "                              |

CAPACITY IS BASED ON SILAGE WEIGHT OF 40 LBS. PER CUBIC FOOT AND SETTLED DEPTH OF 8 FEET, EXCEPT AT ENDS.

WIDTH OF SILO IS BASED ON HERD SIZE AND ON AN AVERAGE CONSUMPTION OF 60 LBS. OF SILAGE PER ANIMAL PER DAY.

LENGTH OF SILO IS BASED ON 4" DAILY RATE OF USE FOR WARM WEATHER CONDITIONS. LENGTH MAY BE VARIED IN UNITS OF 6 FEET.

FOR SELF-FEEDING, WITH FREE ACCESS, A SILO WIDTH OF 3' TO 6' PER HEAD IS REQUIRED.

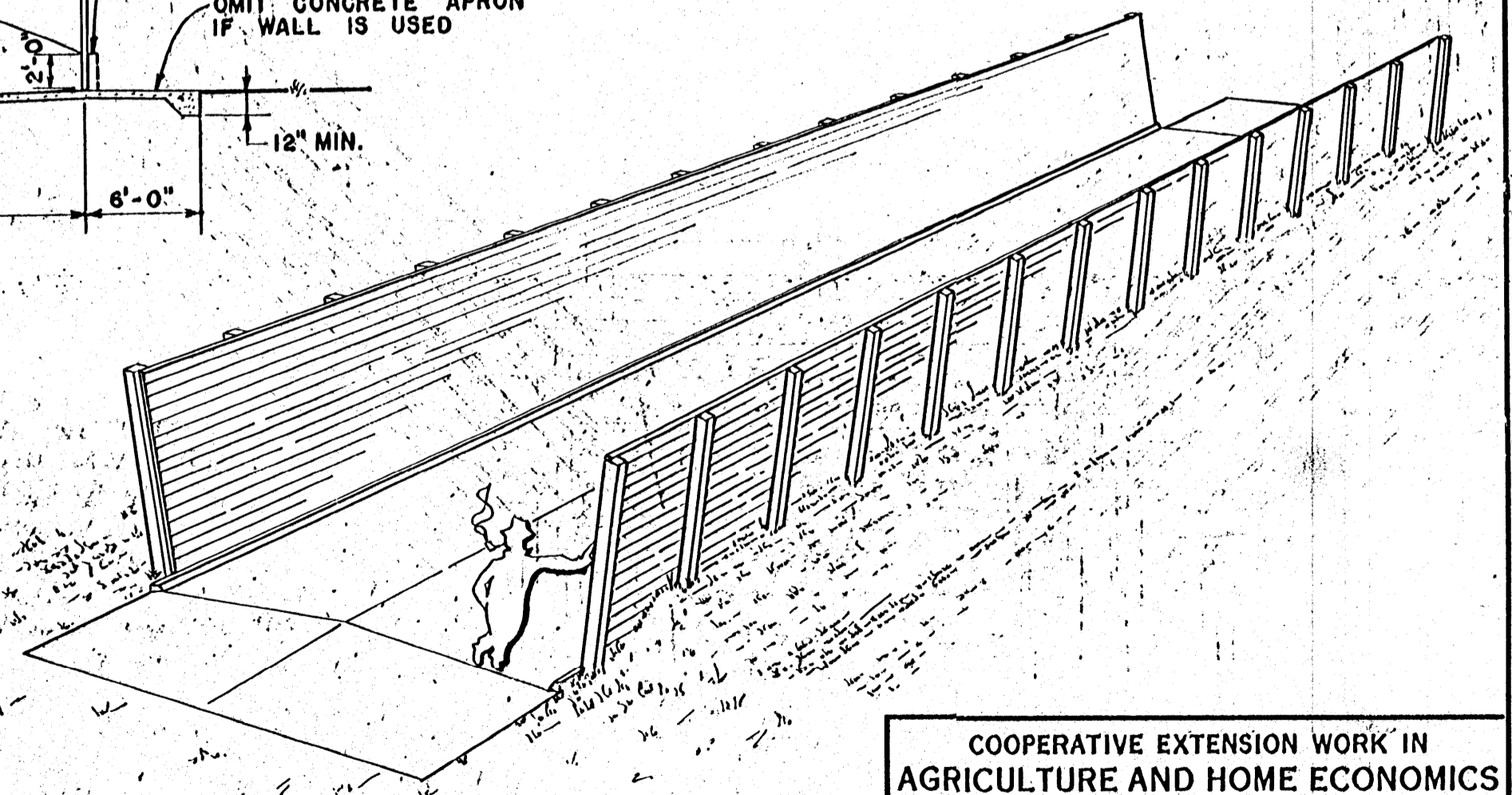
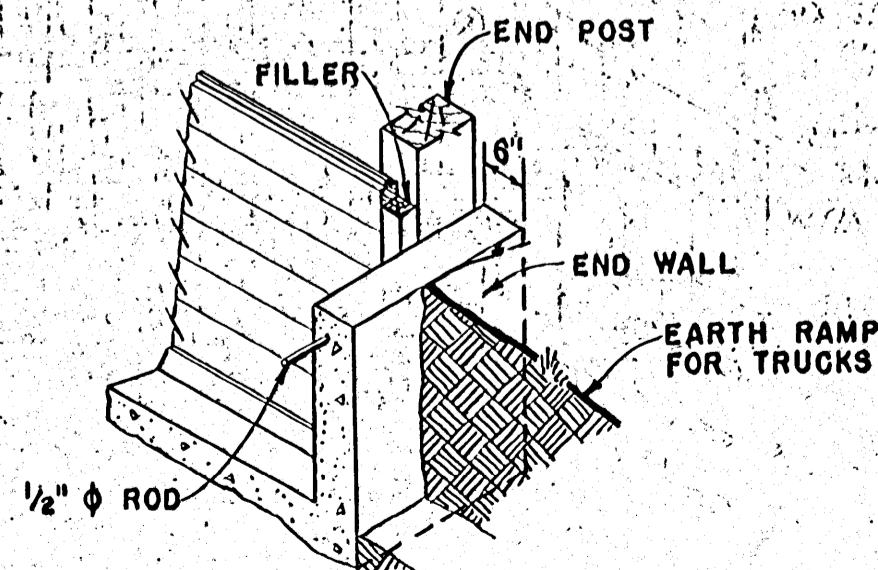
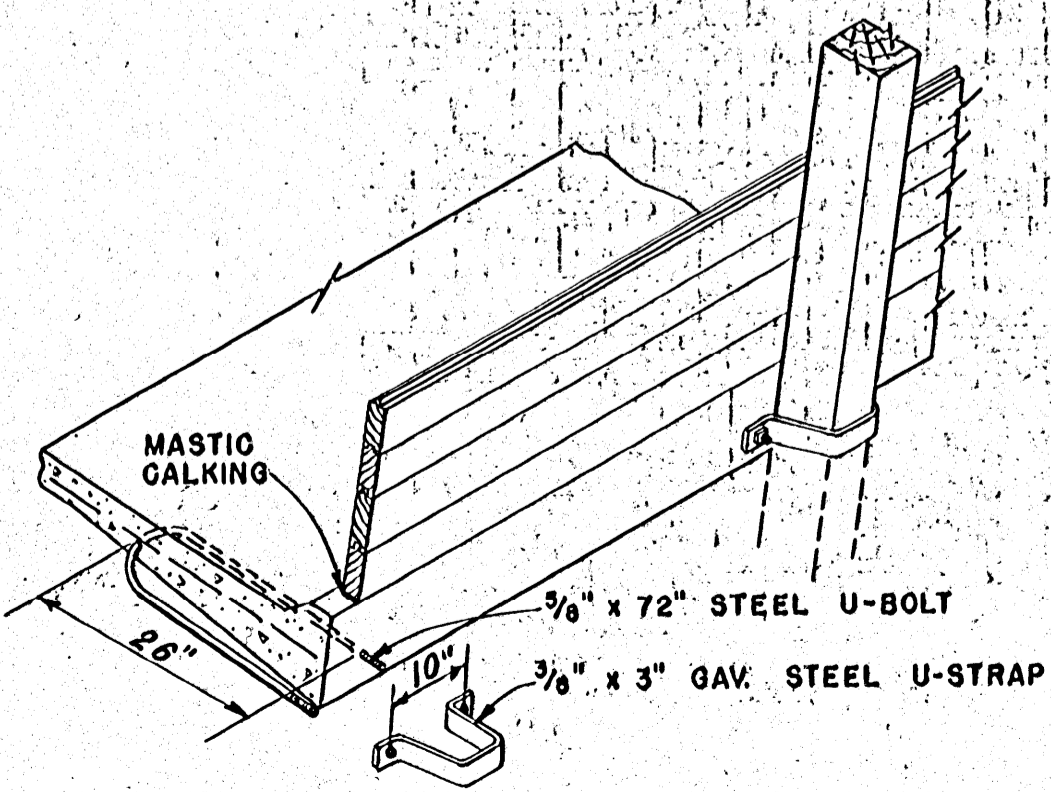
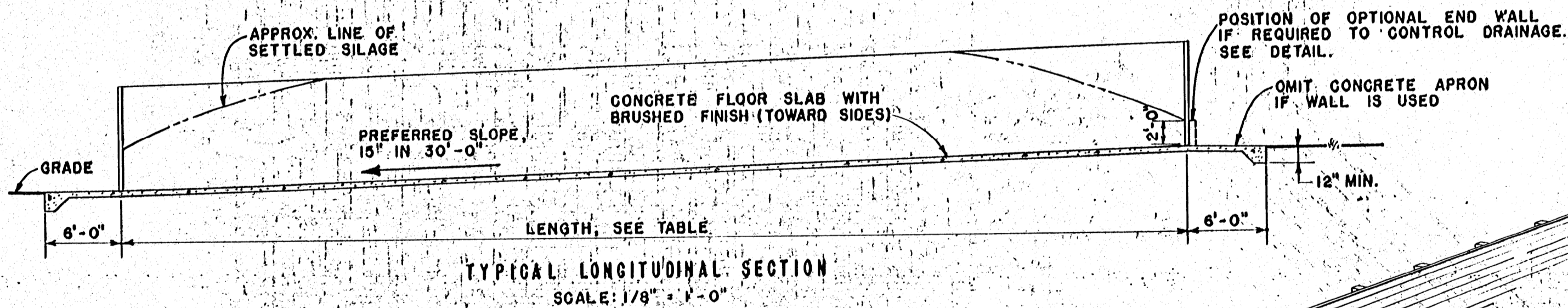
DETAILS OF MOVABLE FENCES FOR SELF-FEEDING ARE SHOWN ON PLAN NO. 5801

THIS SILO MAY BE CONSTRUCTED IN TWO STAGES:  
① A STACK SILO (WITH U-BOLTS INCLUDED); ② ADDITION OF SIDE WALLS FOR INCREASED CAPACITY, SAFETY, AND REDUCED SPOILAGE.

ALL CONCRETE TO BE 1: 2 1/2: 3 1/2 MIX, WITH NOT MORE THAN 8 GALLONS OF WATER PER BAG OF CEMENT.

ALL WOOD SHOULD BE PRESSURE-TREATED WITH PRESERVATIVE (AFTER CUTTING) TO 8 LBS. PER CUBIC FOOT RETENTION.

STAGGER END JOINTS OF PLANKS IN EACH ROW SO JOINTS FALL ON ALTERNATE POSTS.



COOPERATIVE EXTENSION WORK IN  
AGRICULTURE AND HOME ECONOMICS  
STATE OF MISSISSIPPI  
MISSISSIPPI STATE UNIVERSITY  
AND  
UNITED STATES DEPARTMENT OF AGRICULTURE COOPERATING

BUNKER SILO  
TYPE B

USDA '57 EX. 5829 SHEET 1 OF 1