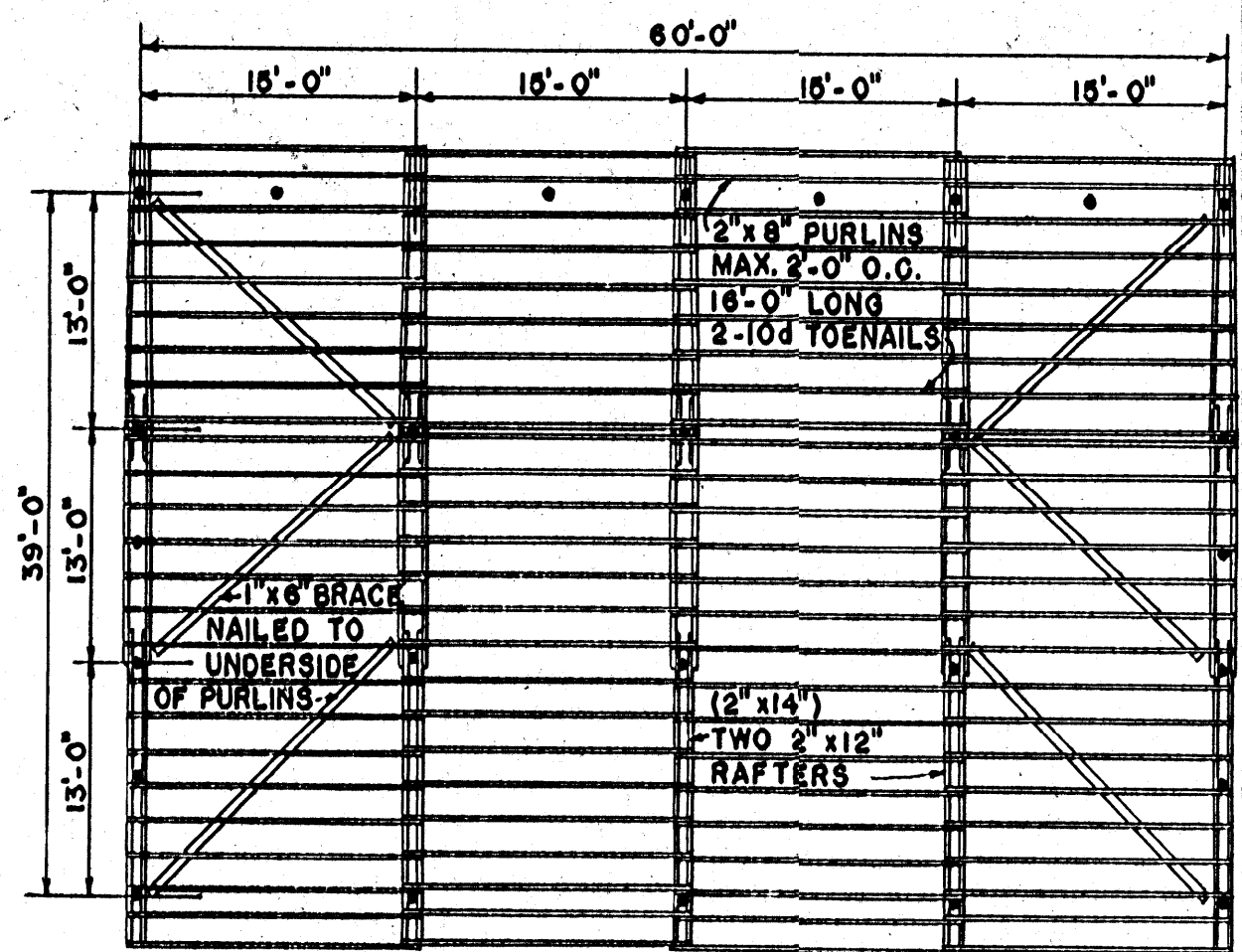
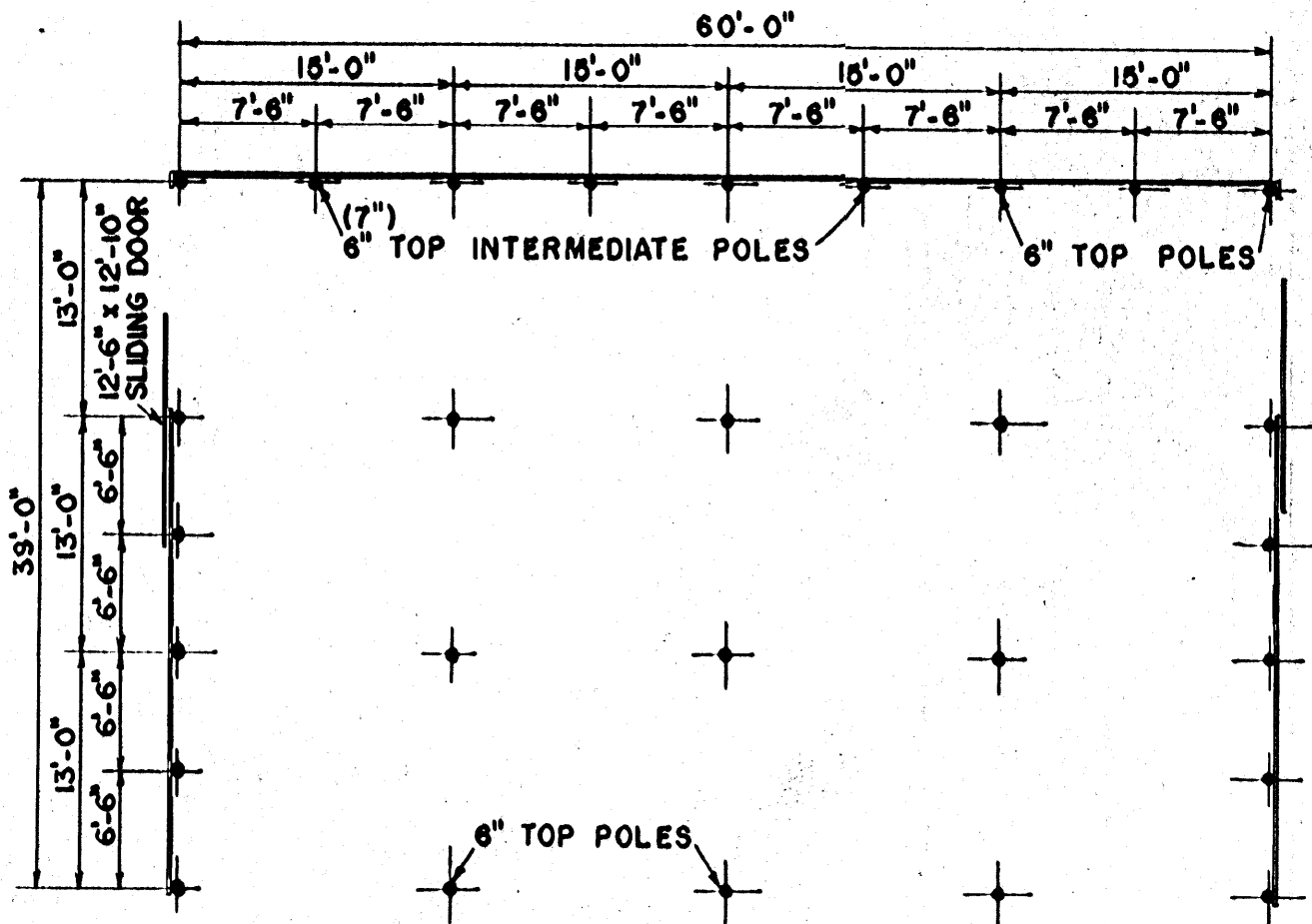


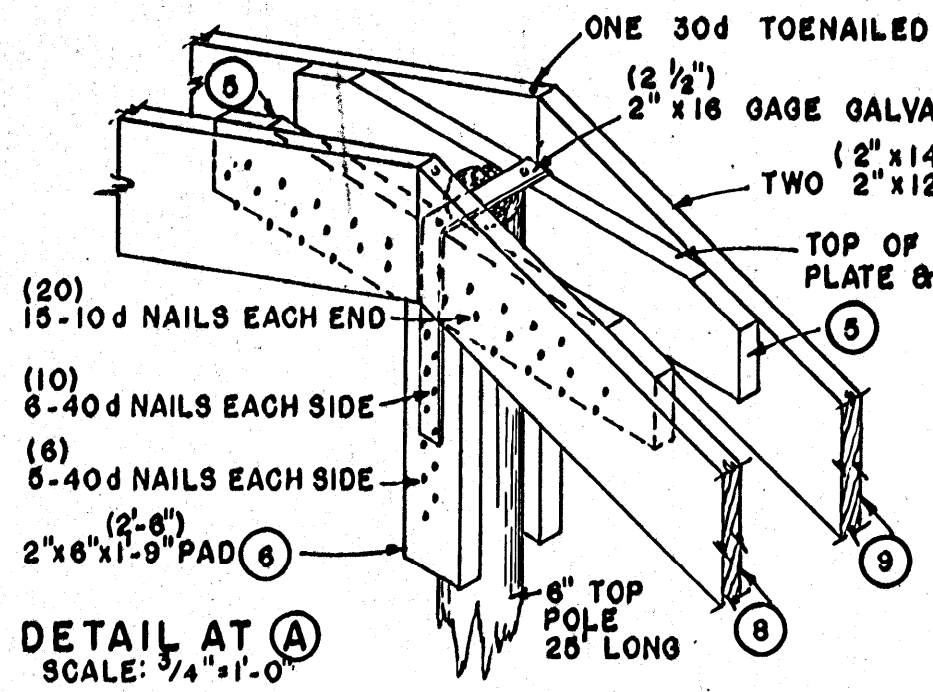
**CROSS SECTION**  
SCALE: 1/4" = 1'-0"



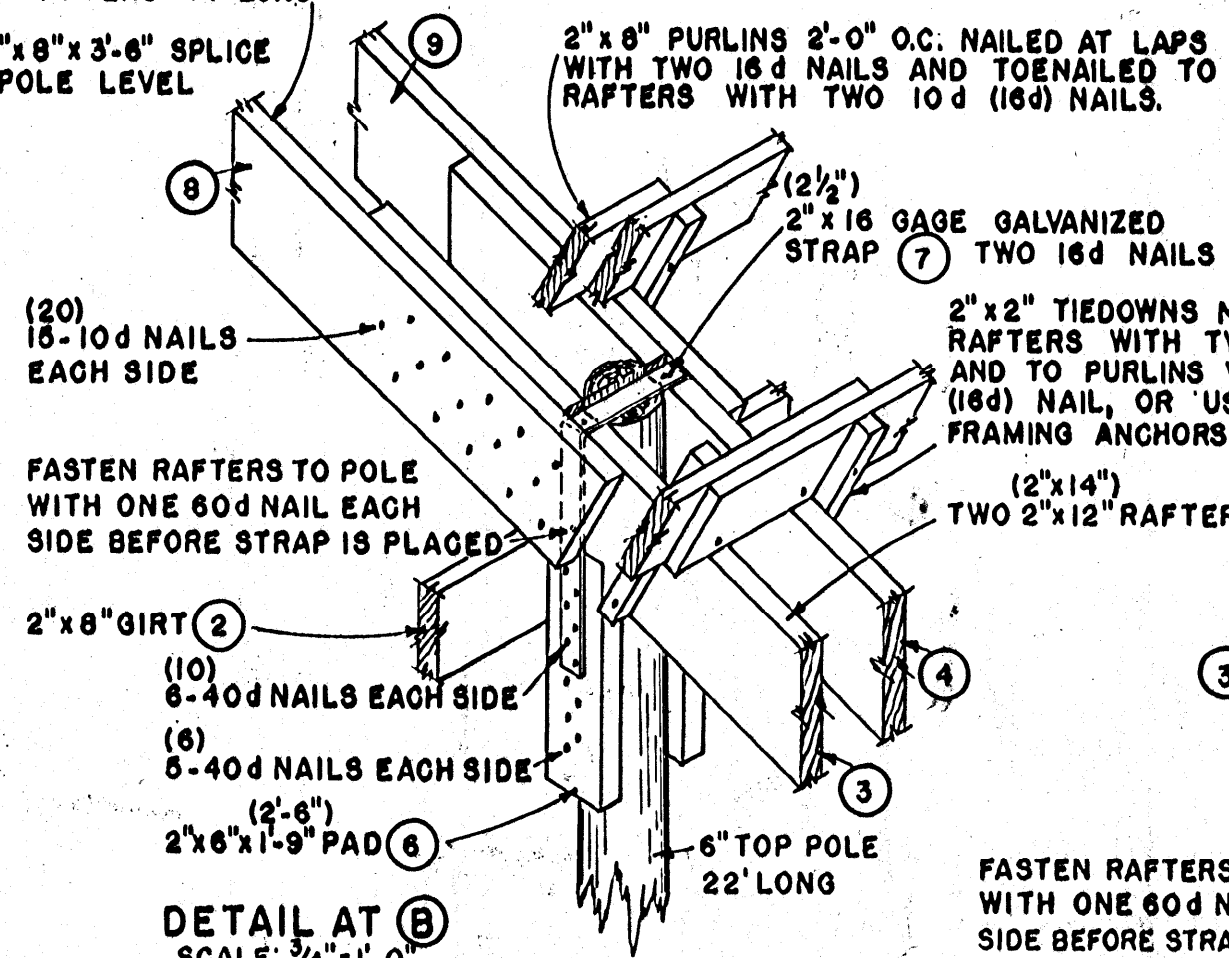
**ROOF FRAMING PLAN**  
SCALE: 3/32" = 1'-0"



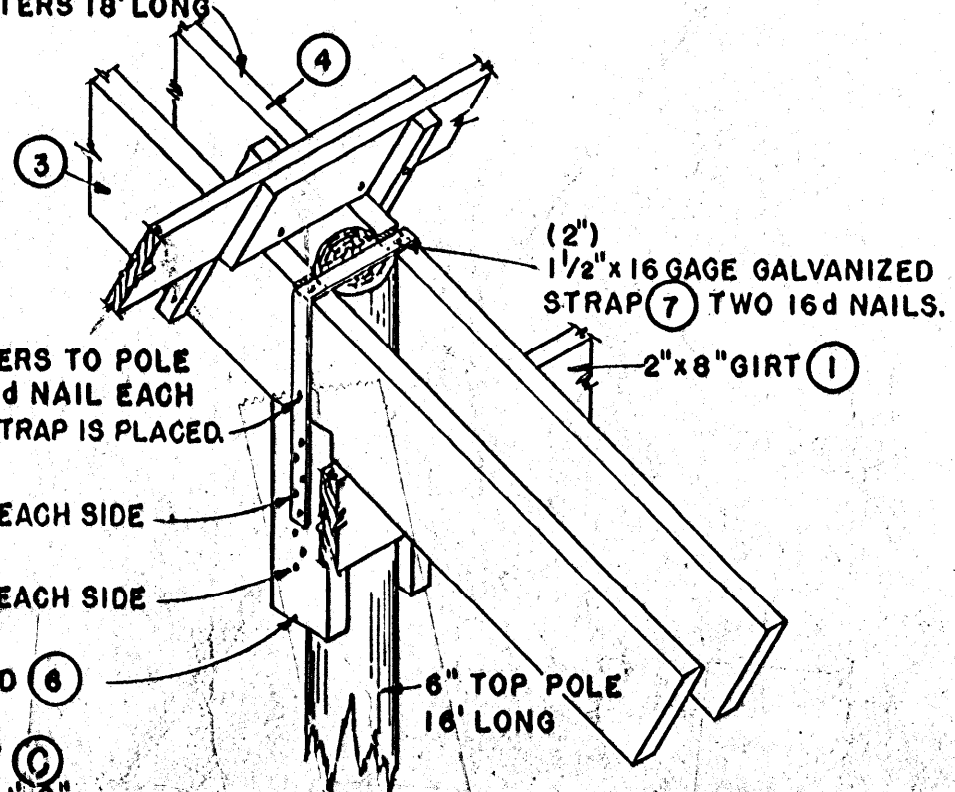
**FLOOR PLAN**  
SCALE: 3/32" = 1'-0"



**DETAIL AT A**  
SCALE: 3/4" = 1'-0"



**DETAIL AT B**  
SCALE: 3/4" = 1'-0"



**DETAIL AT C**  
SCALE: 3/4" = 1'-0"

**ASSEMBLY NOTE:**  
FIRST PUT UP GIRTS (1) AND (2) THEN NAIL RAFTERS (3) AND (4) TO POLES WITH A 60d NAIL AT EACH END. PLACE SPLICE PLATE (5) AND NAIL WITH 2-60d NAILS TO EACH SIDE OF RIDGE POLE. PLACE PADS (6) IN POSITION AND HOLD WITH 2-40d NAILS. FASTEN STRAPS (7) TO RAFTERS (3) AND (4) AND SPLICE PLATES (5) WITH 2-16d NAILS. COMPLETE NAILING OF PADS AND STRAPS. PLACE RAFTERS (8) AND (9) SECURE WITH 15-10d NAILS AT EACH END TO RAFTERS (3) AND (4) AND SPLICE PLATE (5) TOENAIL RAFTERS AT RIDGE WITH 2-16d AND 1-30d NAIL.

**NOTE:**  
DRILL 3/16" HOLES THROUGH RAFTERS AND PADS FOR ALL 40d AND 60d NAILS AS SHOWN ON DRAWING.

**NOTE:**  
THIS BUILDING MAY BE BUILT IN ANY LENGTH DESIRED IN UNITS OF 15'-0" ALL POLES AND SPLASH BOARDS TO BE PRESSURE TREATED WITH PRESERATIVE.

**NOTE:**  
THIS BUILDING IS DESIGNED FOR AREAS OF THE UNITED STATES WHERE THE SNOW LOAD IS 20 LB. (OR 30 LB.) PER SQUARE FOOT OR WIND DOES NOT EXCEED 88 (OR 108) MILES PER HOUR. FRAMING SIZE AND NAILS FOR 30 LB. LOAD OR 108 MILE PER HOUR WIND SHOWN IN PARENTHESES (-).

COOPERATIVE EXTENSION WORK IN AGRICULTURE AND HOME ECONOMICS STATE OF MISSISSIPPI MISSISSIPPI STATE UNIVERSITY AND UNITED STATES DEPARTMENT OF AGRICULTURE COOPERATING		
TYPE "B" POLE CONSTRUCTION 39' WIDTH RIDGE CENTERED ON POLE ROW		
USDA '57	EX. 5831	SHEET 1 OF 1