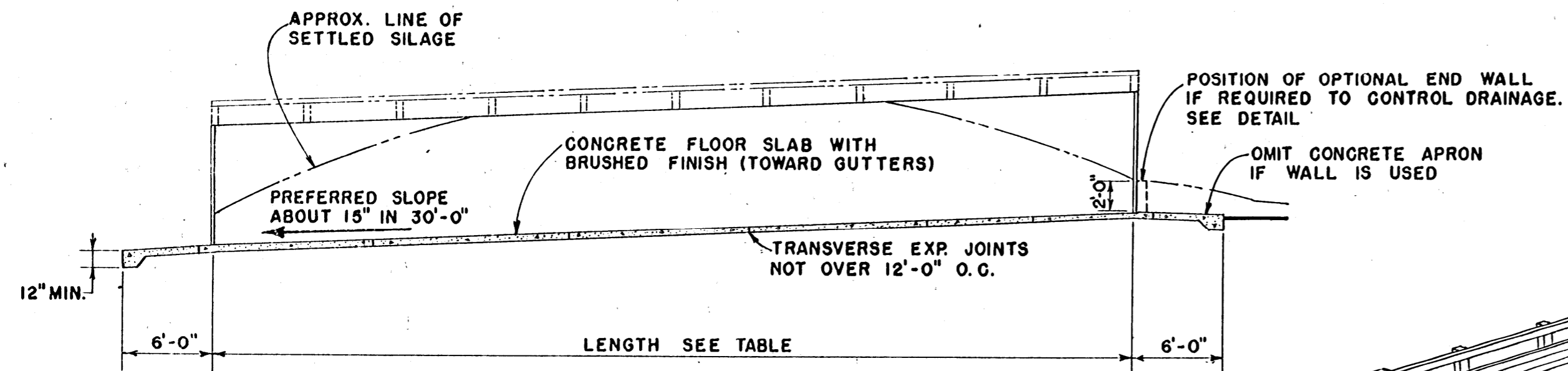
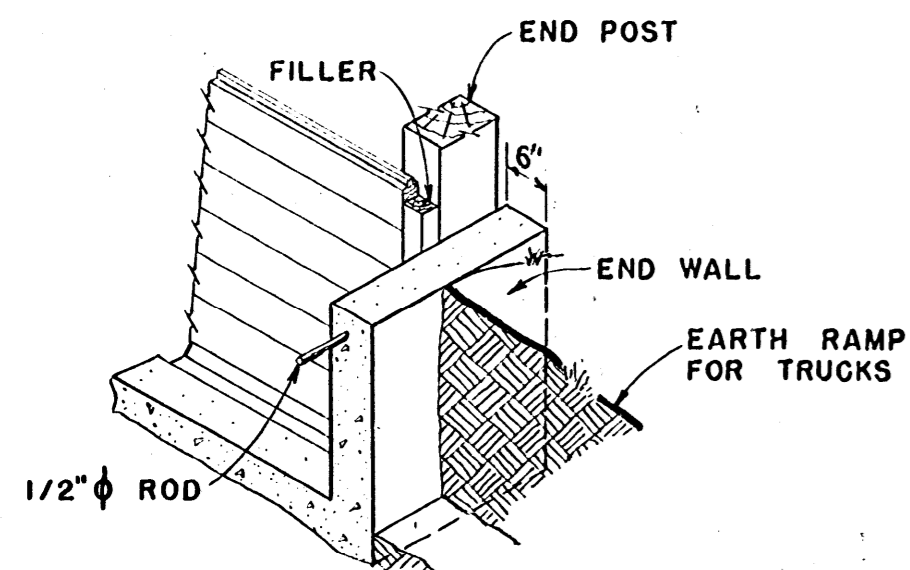


TYPICAL CROSS SECTION
SCALE: 1/2" = 1'-0"

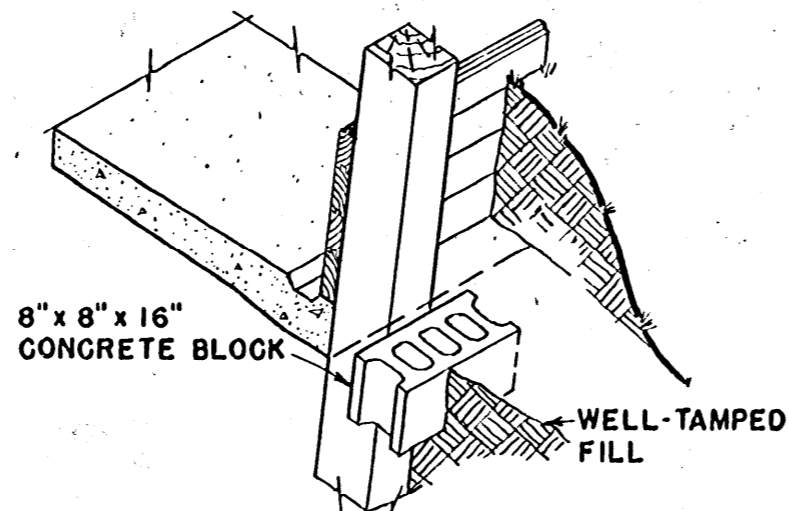


TYPICAL LONGITUDINAL SECTION
SCALE: 1/8" = 1'-0"

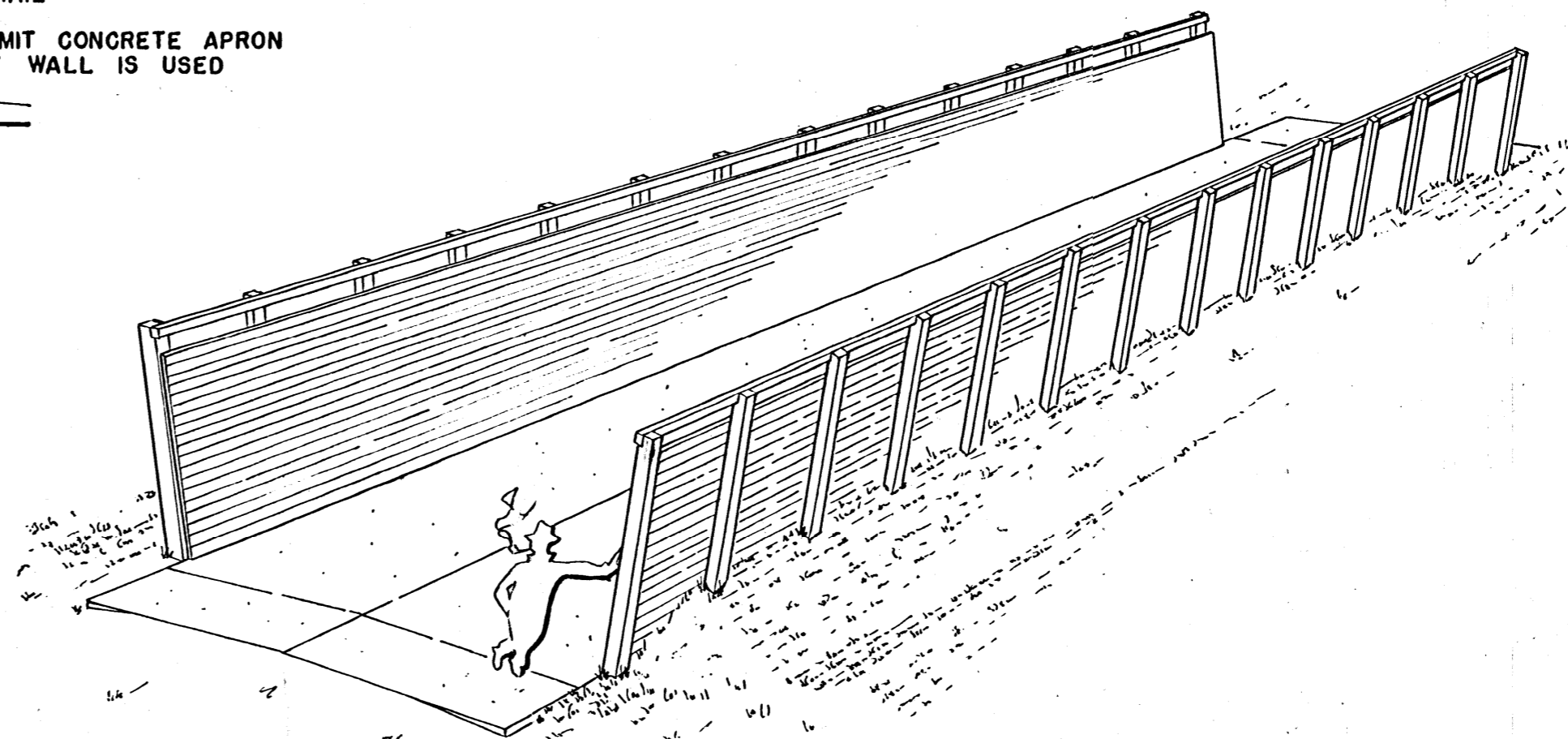


DETAIL OF OPTIONAL END WALL

SCALE: 1/2" = 1'-0"



POST DETAIL



PERSPECTIVE OF COMPLETED SILO
READY TO BE FILLED

APPROXIMATE CAPACITIES						
FEEDING PERIOD →	HERD SIZE	WIDTH OF SILO	LENGTH OF SILO			CAPACITY FOR EACH 6 FT. OF LENGTH
			120 DAYS	175 DAYS	210 DAYS	
			60 FT.	78 FT.	90 FT.	
	30 HEAD	16 FT.	114 TONS	163 TONS	196 TONS	16 TONS
	37 "	20 "	141 "	202 "	242 "	20 "
	44 "	24 "	168 "	240 "	288 "	24 "
	52 "	28 "	195 "	278 "	334 "	28 "
	59 "	32 "	222 "	317 "	380 "	32 "

CAPACITY IS BASED ON SILAGE WEIGHT OF 40 LBS. PER CUBIC FOOT AND SETTLED DEPTH OF 8 FEET, EXCEPT AT ENDS.

WIDTH OF SILO IS BASED ON HERD SIZE AND ON AN AVERAGE CONSUMPTION OF 60 LBS. OF SILAGE PER ANIMAL PER DAY.

LENGTH OF SILO IS BASED ON 4" DAILY RATE OF USE FOR WARM WEATHER CONDITIONS. LENGTH MAY BE VARIED IN UNITS OF 6 FEET.

FOR SELF-FEEDING, WITH FREE ACCESS, A SILO WIDTH OF 3" TO 6" PER HEAD IS REQUIRED.

DETAILS OF MOVABLE FENCES FOR SELF-FEEDING ARE SHOWN ON PLAN NO. 5801

THIS SILO MAY BE BUILT IN TWO STAGES.

1. SLAB ALONE FOR USE AS SELF-FEEDING STACK SILO WITH WALLS ADDED LATER FOR INCREASED CAPACITY AND REDUCED SPOILAGE.
2. WALLS ALONE FOR MAXIMUM CAPACITY UNTIL WEATHER OR INTENTION TO USE AS SELF-FEEDER NECESSITATE FLOOR.

ALL CONCRETE TO BE 1: 2 1/2 : 3 1/2 MIX, WITH NOT MORE THAN 8 GALLONS OF WATER PER BAG OF CEMENT.

ALL WOOD SHOULD BE PRESSURE-TREATED WITH PRESERVATIVE (AFTER CUTTING) TO 8 LBS. PER CUBIC FOOT RETENTION.

STAGGER END JOINTS OF PLANKS IN EACH ROW SO JOINTS FALL ON ALTERNATE POSTS.

COOPERATIVE EXTENSION WORK IN
AGRICULTURE AND HOME ECONOMICS
STATE OF MISSISSIPPI
MISSISSIPPI STATE UNIVERSITY.
AND
UNITED STATES DEPARTMENT OF AGRICULTURE COOPERATING

BUNKER SILO
TYPE C

USDA '57 EX. 5843 SHEET 1 OF 1