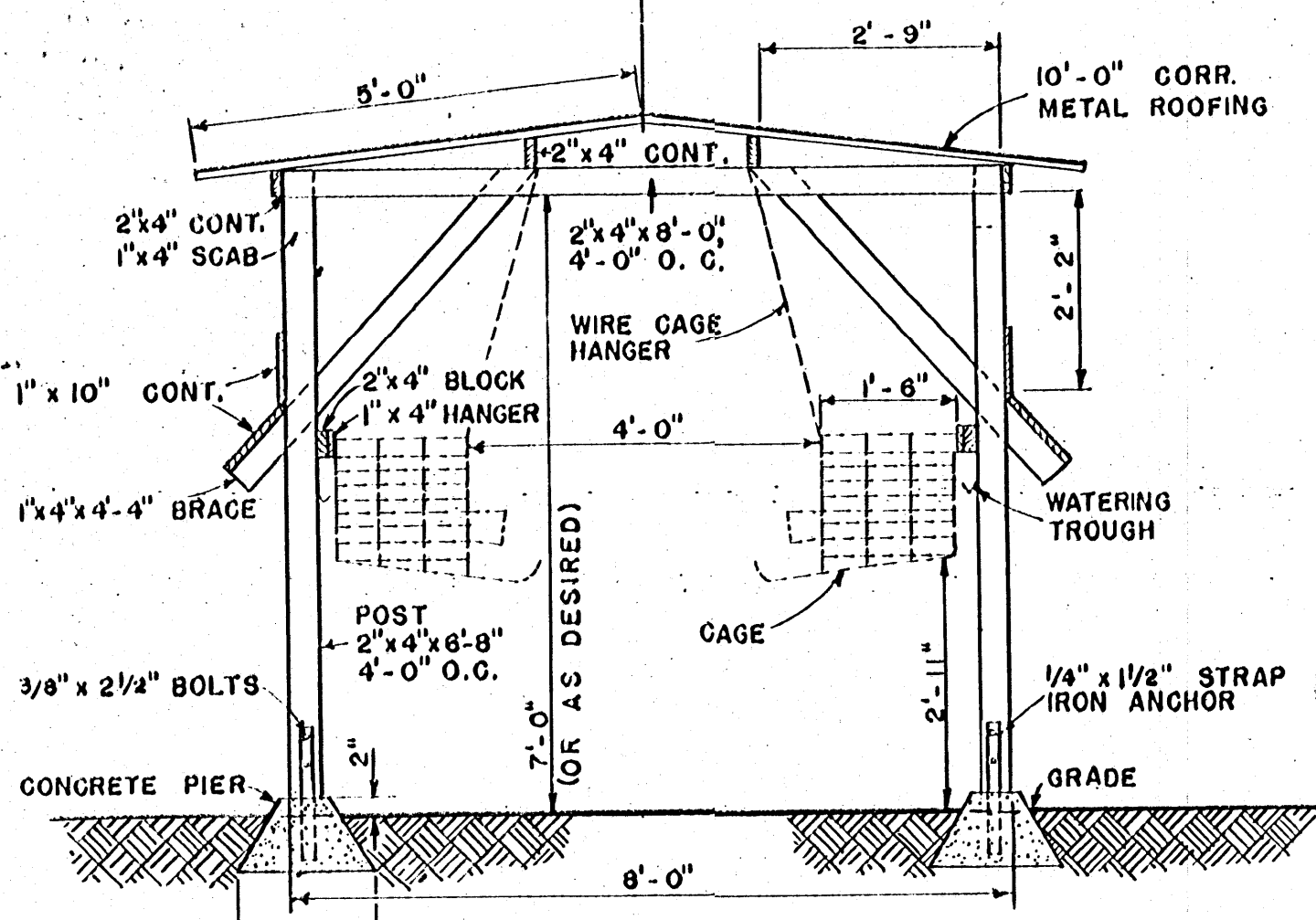
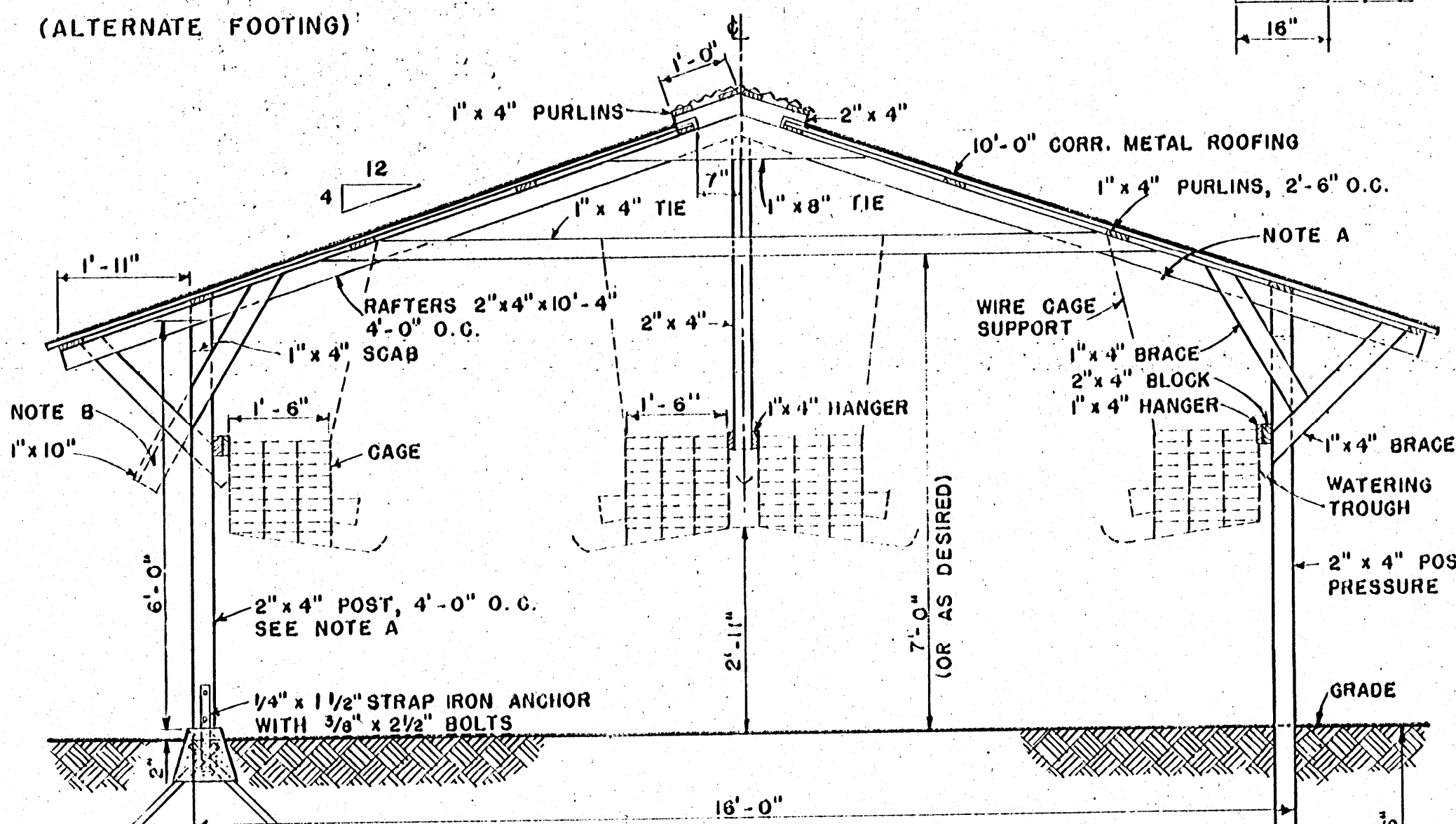


**FOUR ROW HOUSE
(BEAM & RAFTER FRAME)**
SCALE: 1/2" = 1'-0"

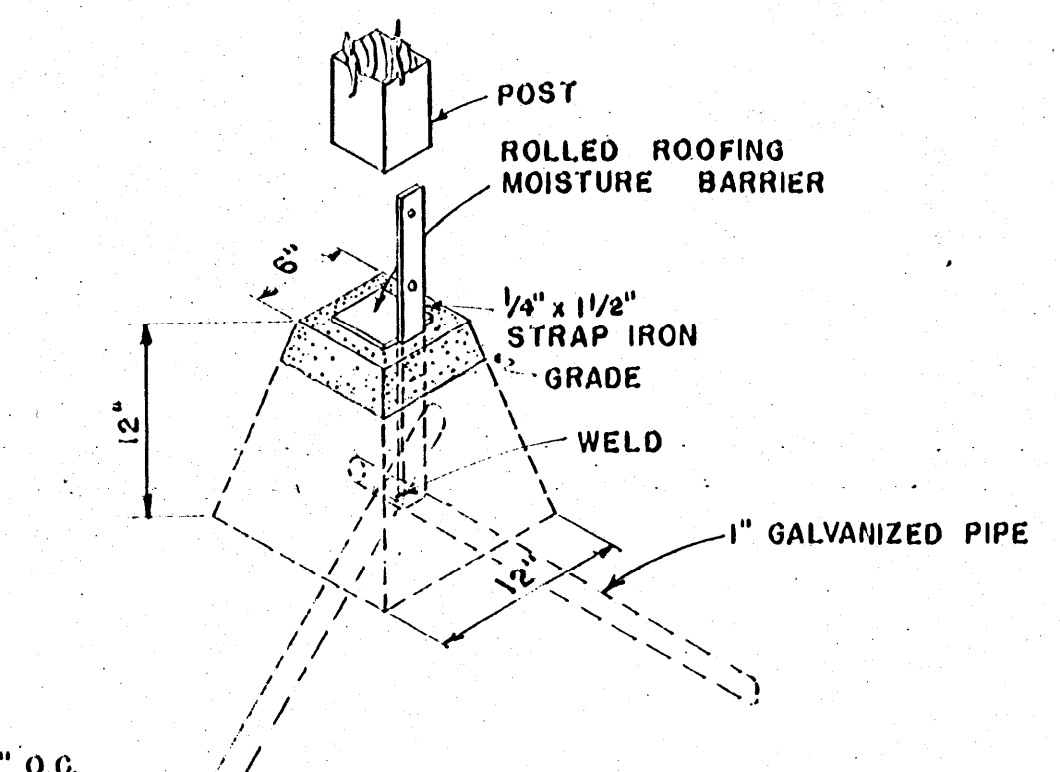


TWO ROW HOUSE
SCALE: 1/2" = 1'-0"

(ALTERNATE FOOTING)



**FOUR ROW HOUSE
(POST & RAFTER FRAME)**
SCALE: 1/2" = 1'-0"

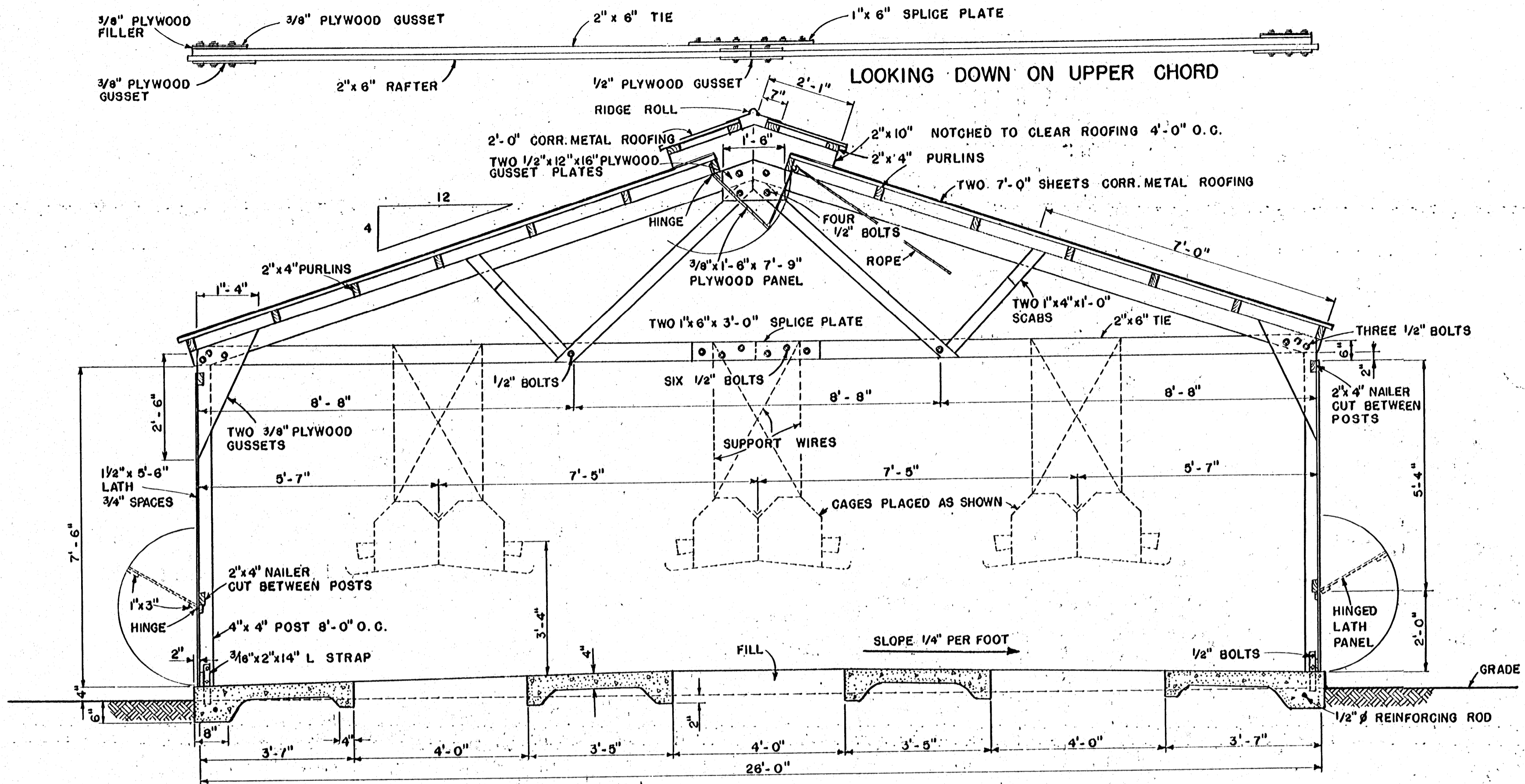


DETAIL OF ALTERNATE PIER
SCALE: 1" = 1'-0"

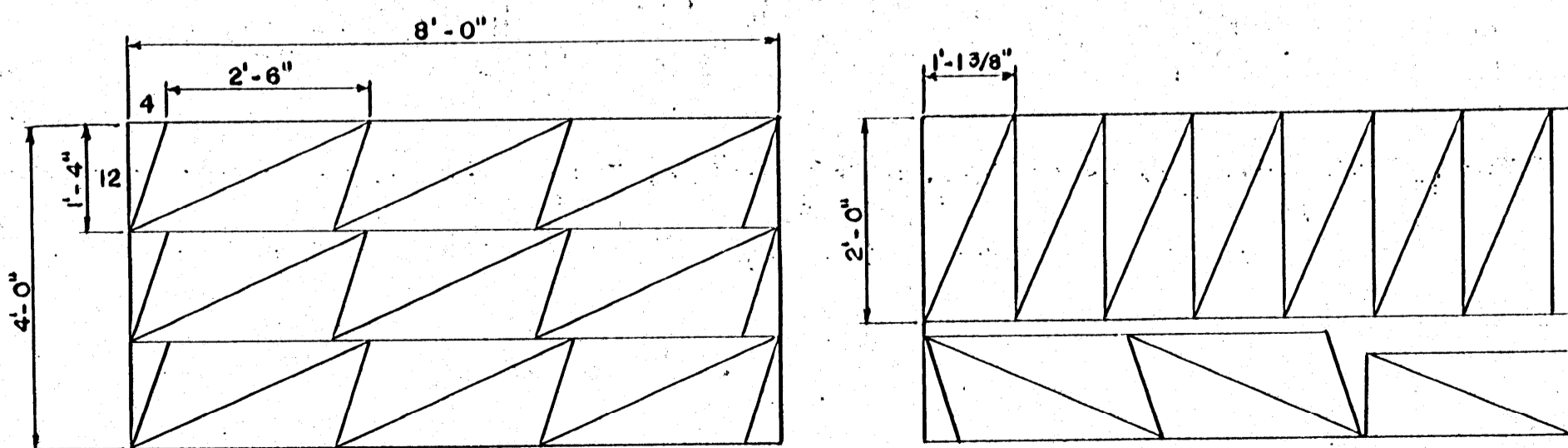
NOTE A:
1" x 4" DIAGONAL BRACES ALONG EACH SIDE WALL AND UNDER ROOF RAFTERS ON ALL TYPES OF CONSTRUCTION.

NOTE B:
EXTEND THE 1" x 6" BRACES TO SUPPORT SUNSHADE IF NEEDED.

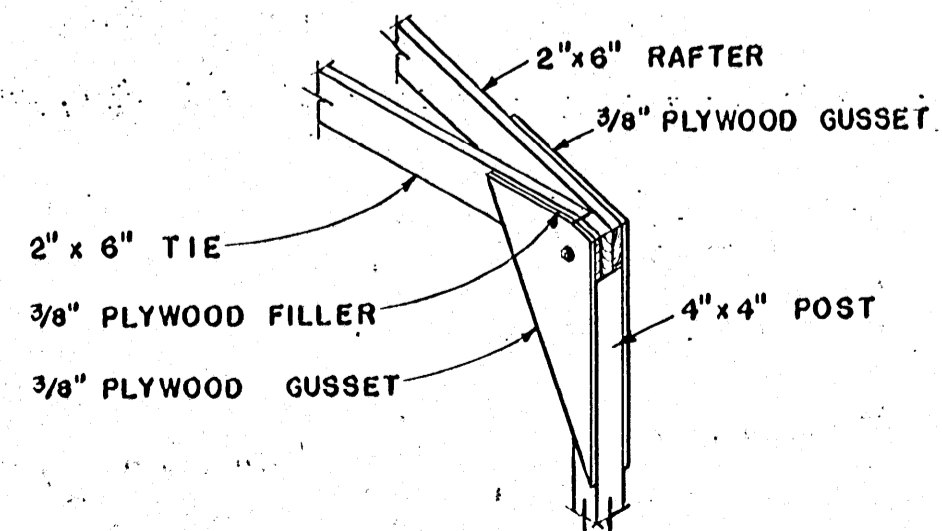
THESE BUILDINGS ARE INTENDED FOR USE IN WARM AREAS NOT SUBJECT TO HIGH WINDS OR SNOW LOADS IN EXCESS OF 10 LBS. PER SQ. FT.



SIX ROW HOUSE
SCALE: 1/2" = 1'-0"



PLYWOOD CUTTING SCHEDULE
EXTERIOR GRADE PLYWOOD



CORNER JOINT DETAIL

COOPERATIVE EXTENSION WORK IN AGRICULTURE AND HOME ECONOMICS		
STATE OF MISSISSIPPI		
MISSISSIPPI STATE UNIVERSITY		
UNITED STATES DEPARTMENT OF AGRICULTURE COOPERATING		
CALIFORNIA TYPE		
CAGE LAYING HOUSES		
CAL.	'57	EX. 5845 SHEET 2 OF 2