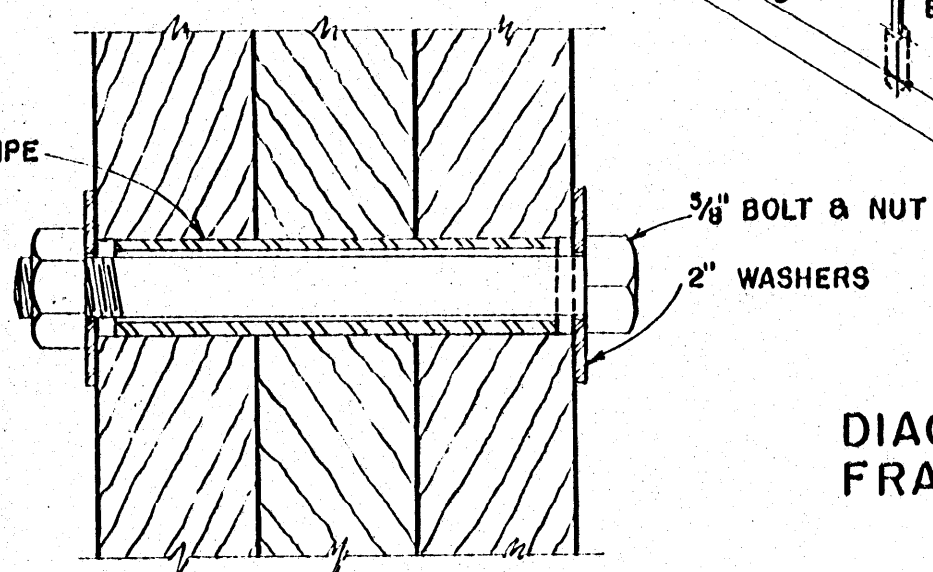
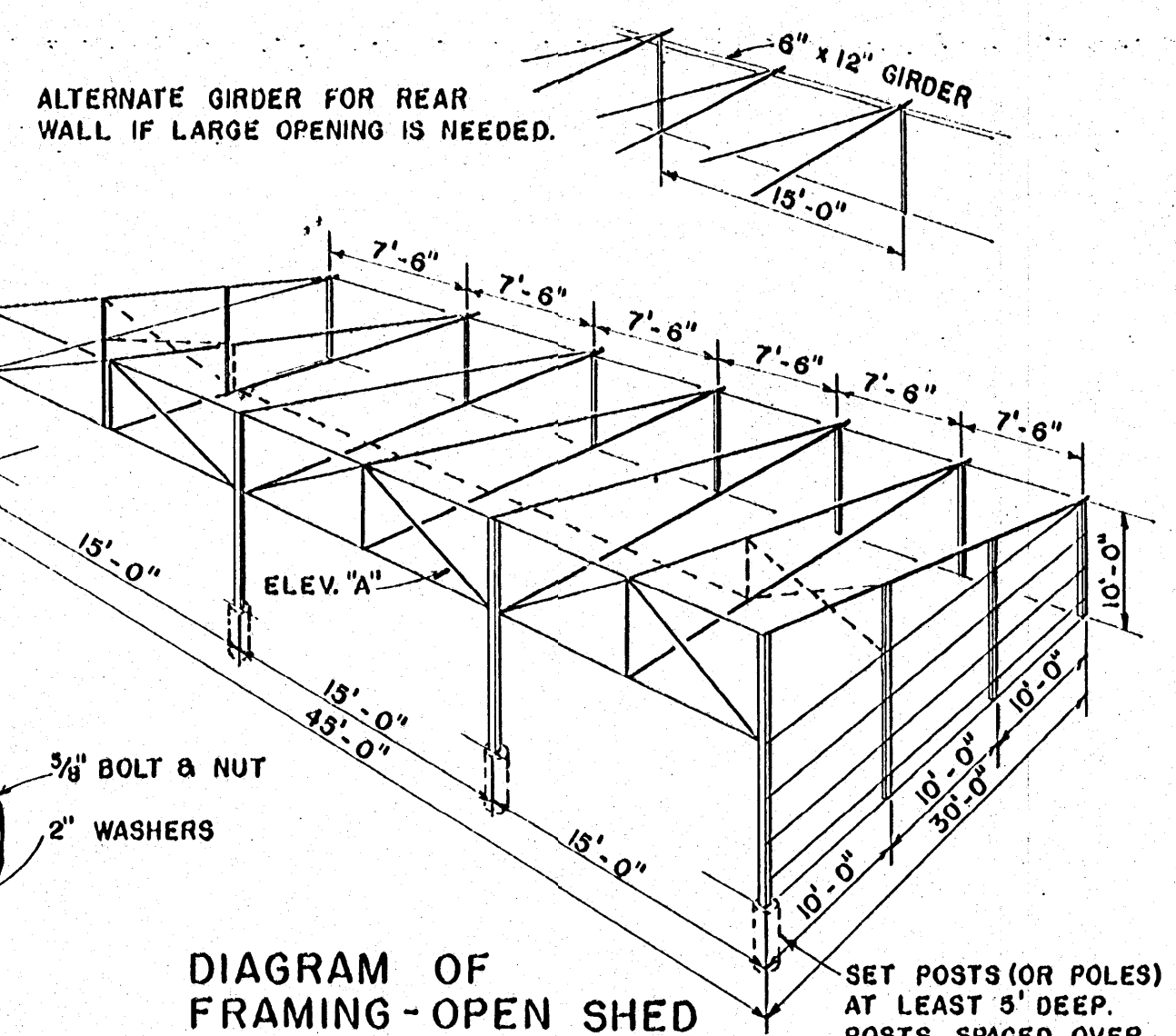


**ELEVATION "A"**  
SCALE: 1/2" = 1'-0"  
(GIRTS & SIDING NOT SHOWN)

NOTE: BOLTED PIPE SLEEVE MAY BE USED IN PLACE OF 1" BOLTS.

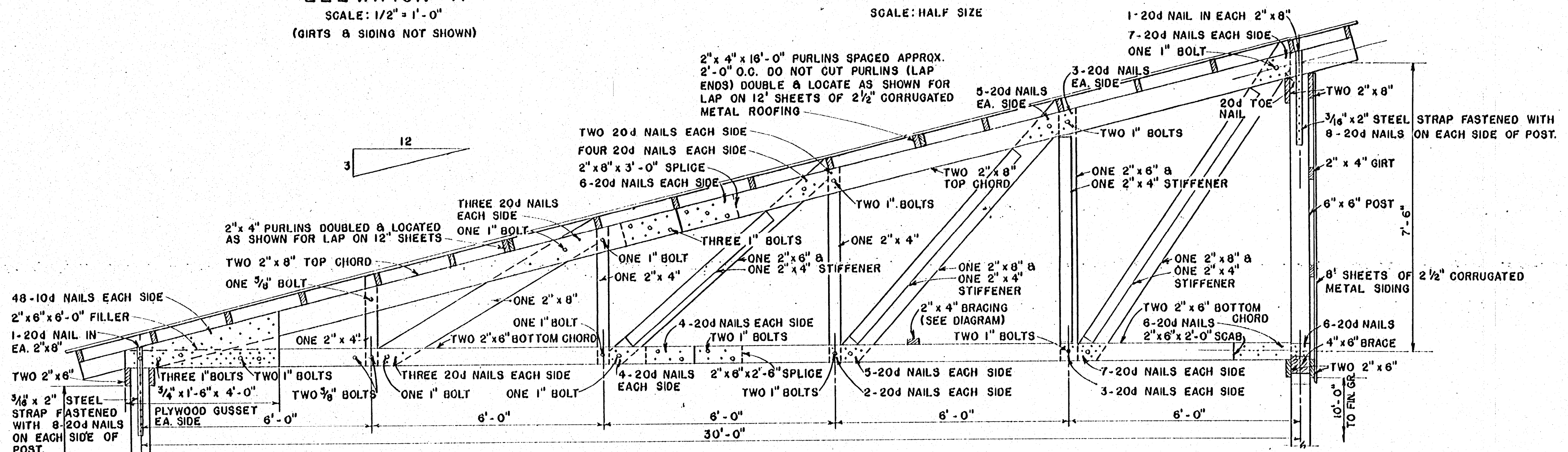


**BOLTED PIPE SLEEVE**  
SCALE: HALF SIZE



**DIAGRAM OF FRAMING - OPEN SHED**

SET POSTS (OR POLES) AT LEAST 5' DEEP. POSTS SPACED OVER 10' APART SHALL BE SET IN 18" DIAMETER CONCRETE BACKFILL.



**SECTION "B-B"**  
SCALE: 1/2" = 1'-0"

NOTE:  
SEVEN INCH DIAMETER POLES MAY BE SUBSTITUTED FOR 6" x 6" POSTS. FLATTEN SIDES OF POLES WHERE REQUIRED. FOR LONGEST SERVICE ALL WOOD POSTS SHOULD BE PRESERVATIVE-TREATED WITH PRESERVATIVE. ALL BOLTS SHOWN ARE MACHINE BOLTS WITH WASHERS. LENGTH OF BUILDING MAY BE VARIED IN UNITS OF 15 FEET.

FASTEN PURLINS TO EACH TRUSS WITH TWO 10d TOENAILS AND AT LAPS WITH SIX 10d NAILS. THIS TRUSS IS PRIMARILY INTENDED FOR USE IN AREAS WHERE THE SNOW LOAD DOES NOT EXCEED 30 LBS. PER SQ. FT. AND WIND DOES NOT EXCEED 88 MILES PER HOUR.

COOPERATIVE EXTENSION WORK IN AGRICULTURE AND HOME ECONOMICS  
STATE OF MISSISSIPPI  
MISSISSIPPI STATE UNIVERSITY  
AND  
UNITED STATES DEPARTMENT OF AGRICULTURE COOPERATING

**SHED ROOF CONSTRUCTION**  
TYPE "A"

USDA '58    EX. 5855    SHEET 1 OF 1