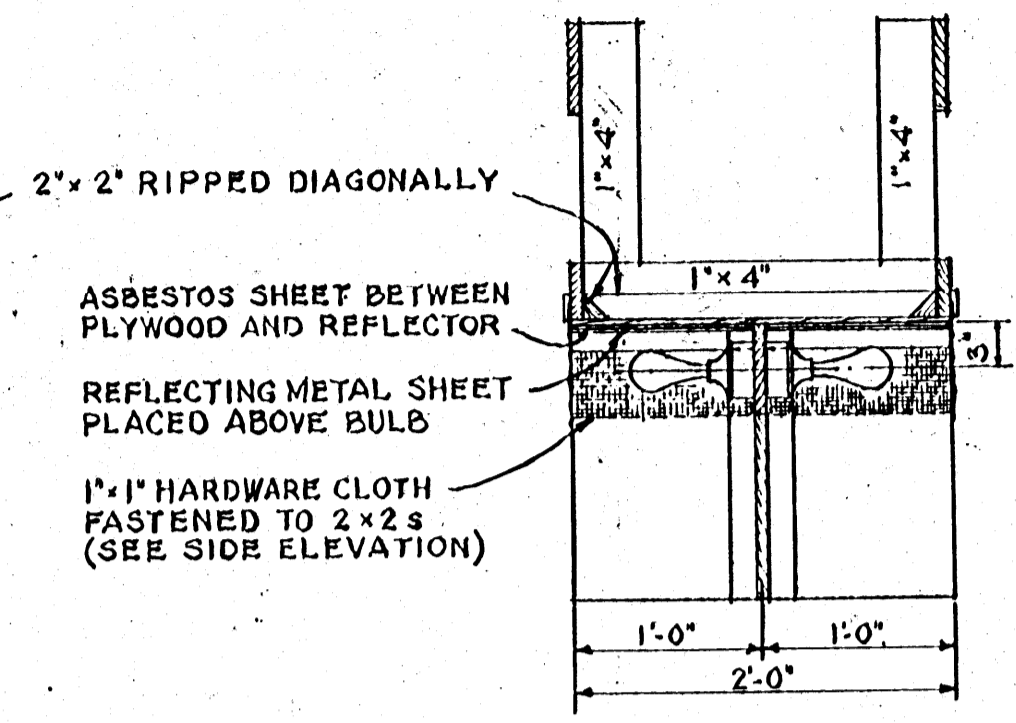
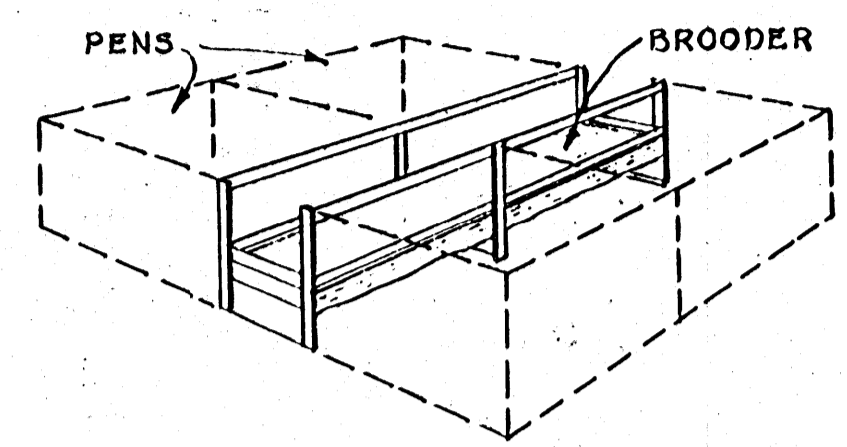


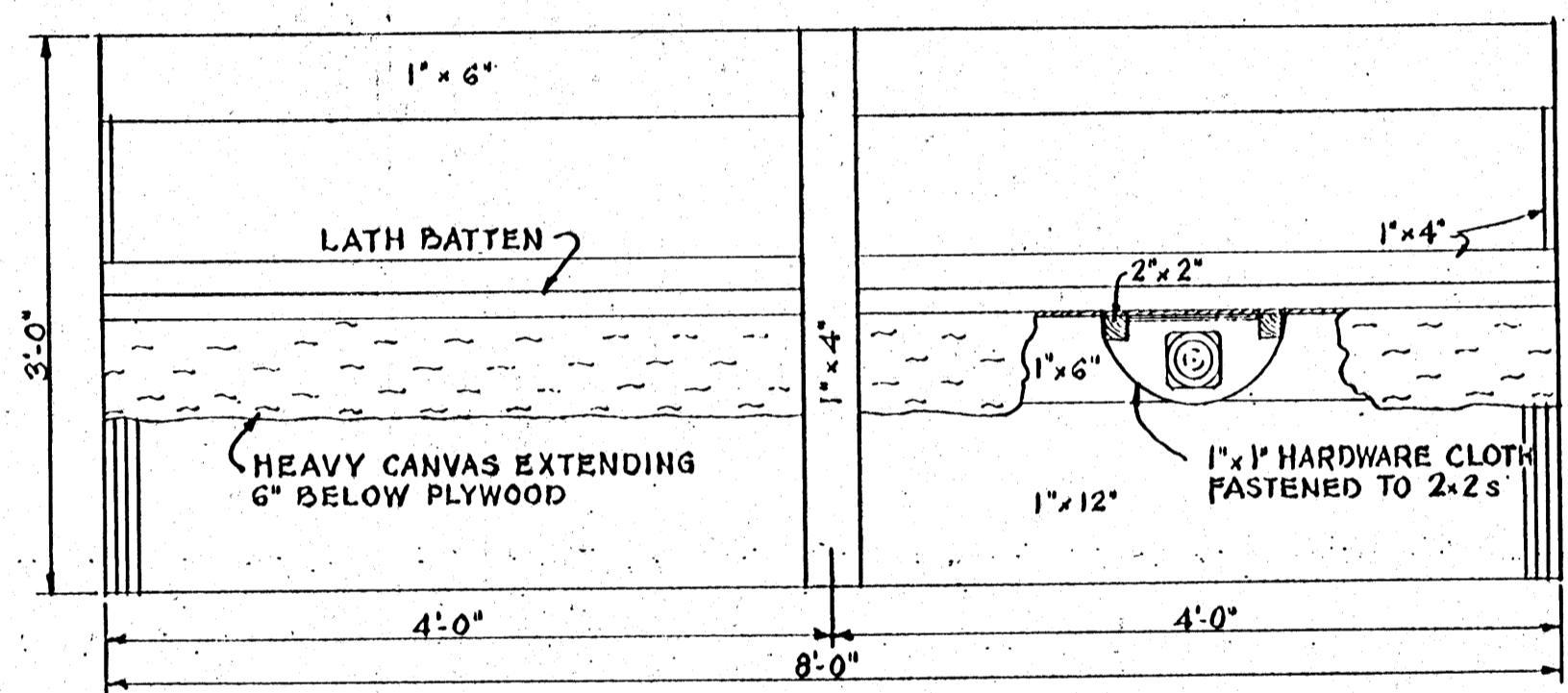
PLAN



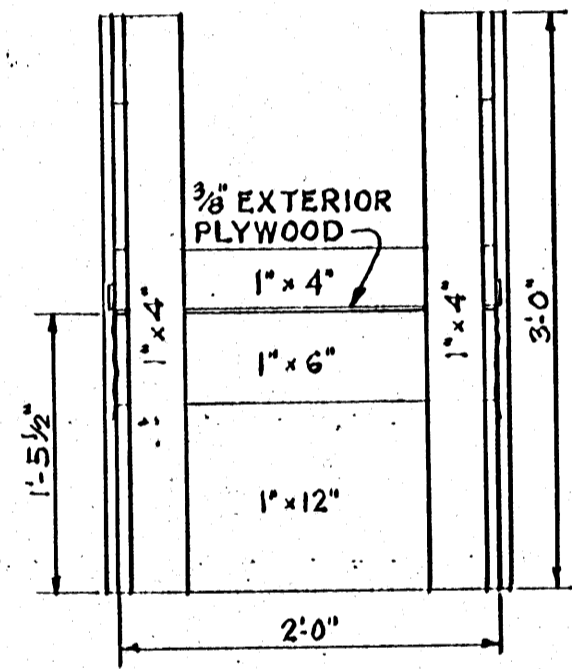
SECTION A-A



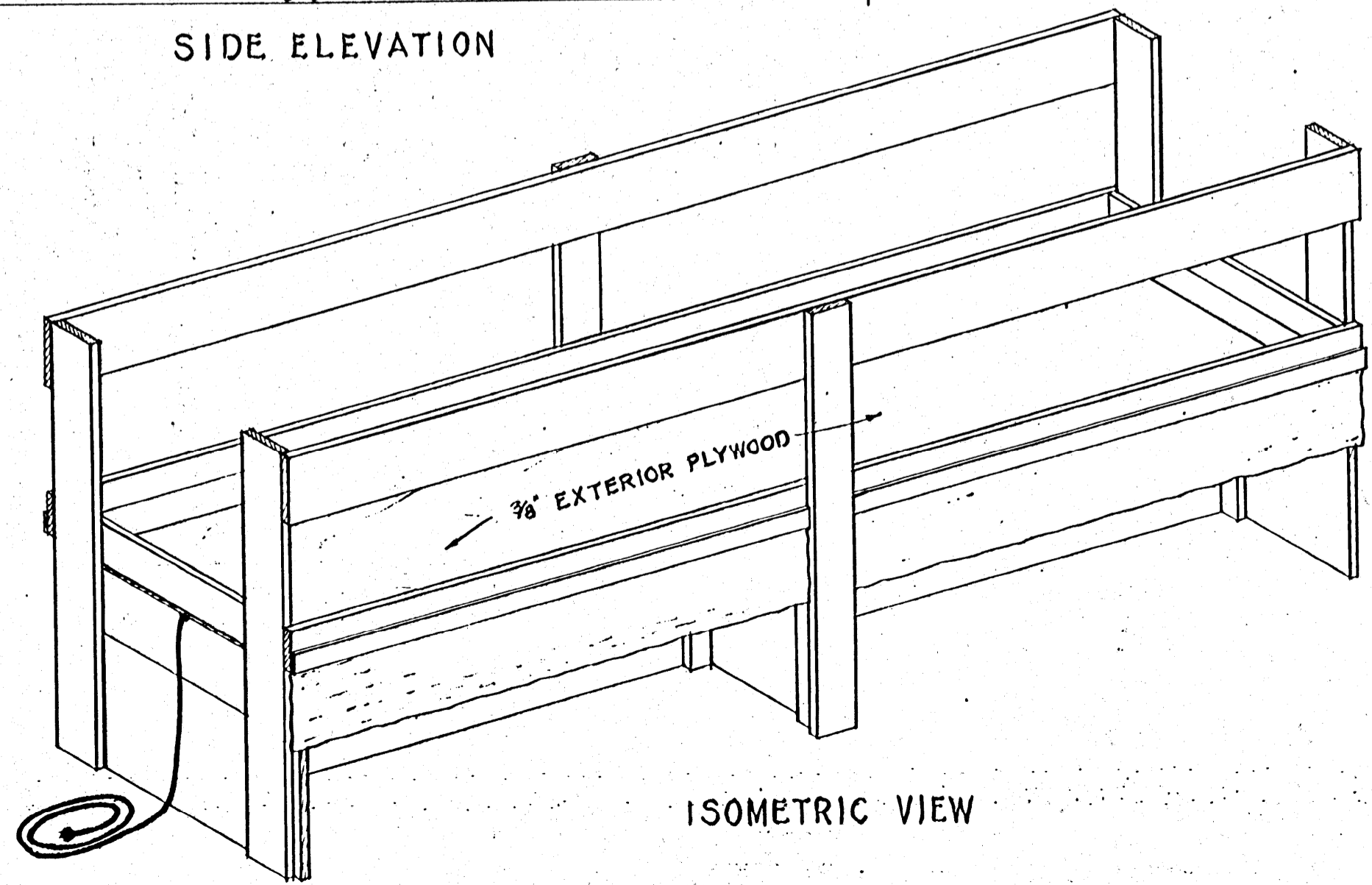
DIAGRAMMATIC LAYOUT OF BROODER AND PENS



SIDE ELEVATION



END ELEVATION



ISOMETRIC VIEW

BILL OF MATERIALS

| | |
|---|------------------------------|
| LUMBER: | |
| 1" x 2" x 12'-0" | 1 PC. |
| 1" x 4" x 10'-0" | 4 PCS. |
| 1" x 6" x 10'-0" | 3 PCS. |
| 1" x 12" x 14'-0" | 1 PC. |
| 2" x 2" x 8'-0" | 1 PC. |
| 2" x 2" x 10'-0" | 1 PC. |
| MISCELLANEOUS: | |
| 2'-0" x 8'-0" x 3/8" | 1 PC. EXTERIOR PLYWOOD |
| 1'-0" x 6'-0" | 1 PC. 1" x 1" HARDWARE CLOTH |
| 1'-0" x 4'-0" | 1 PC. REFLECTING METAL |
| 2'-8" x 4'-0" | 1 PC. HEAVY CANVAS |
| | NAILS AS REQUIRED |
| ELECTRICAL: | |
| NON-METALLIC JUNCTION BOXES | 4 EA. |
| PORCELAIN LIGHT RECEPTACLE (PULL CHAIN OPTIONAL) | 4 EA. |
| LIGHT BULBS (SIZE VARIES WITH HEATING REQUIREMENTS) | 4 EA. |
| NON-METALLIC SHEATHED CABLE NO. 14-2 | 10 FT. |
| RUBBER COATED EXTENSION CORD NO. 14-2 | 10 FT. |
| MALE PLUG | 1 EA. |

NOTE:
ATTACH FOUR 4"x4" LAMBING PENS TO EACH OF THESE UNITS. WHEN THE UNITS ARE PLACED END TO END, EACH BROODER MUST BE PLUGGED IN SEPARATELY TO AN ELECTRICAL SERVICE OUTLET WHICH IS PROPERLY WIRED TO CARRY THE LOAD.

SCALE: 1"=1'-0" UNLESS OTHERWISE NOTED.

COOPERATIVE EXTENSION WORK IN AGRICULTURE AND HOME ECONOMICS
STATE OF MISSISSIPPI
MISSISSIPPI STATE UNIVERSITY
AND
UNITED STATES DEPARTMENT OF AGRICULTURE COOPERATING

COMBINATION
LAMB BROODER AND EWE FEEDER

| | | |
|----------|----------|--------------|
| ORE. '58 | EX. 5863 | SHEET 1 OF 1 |
|----------|----------|--------------|