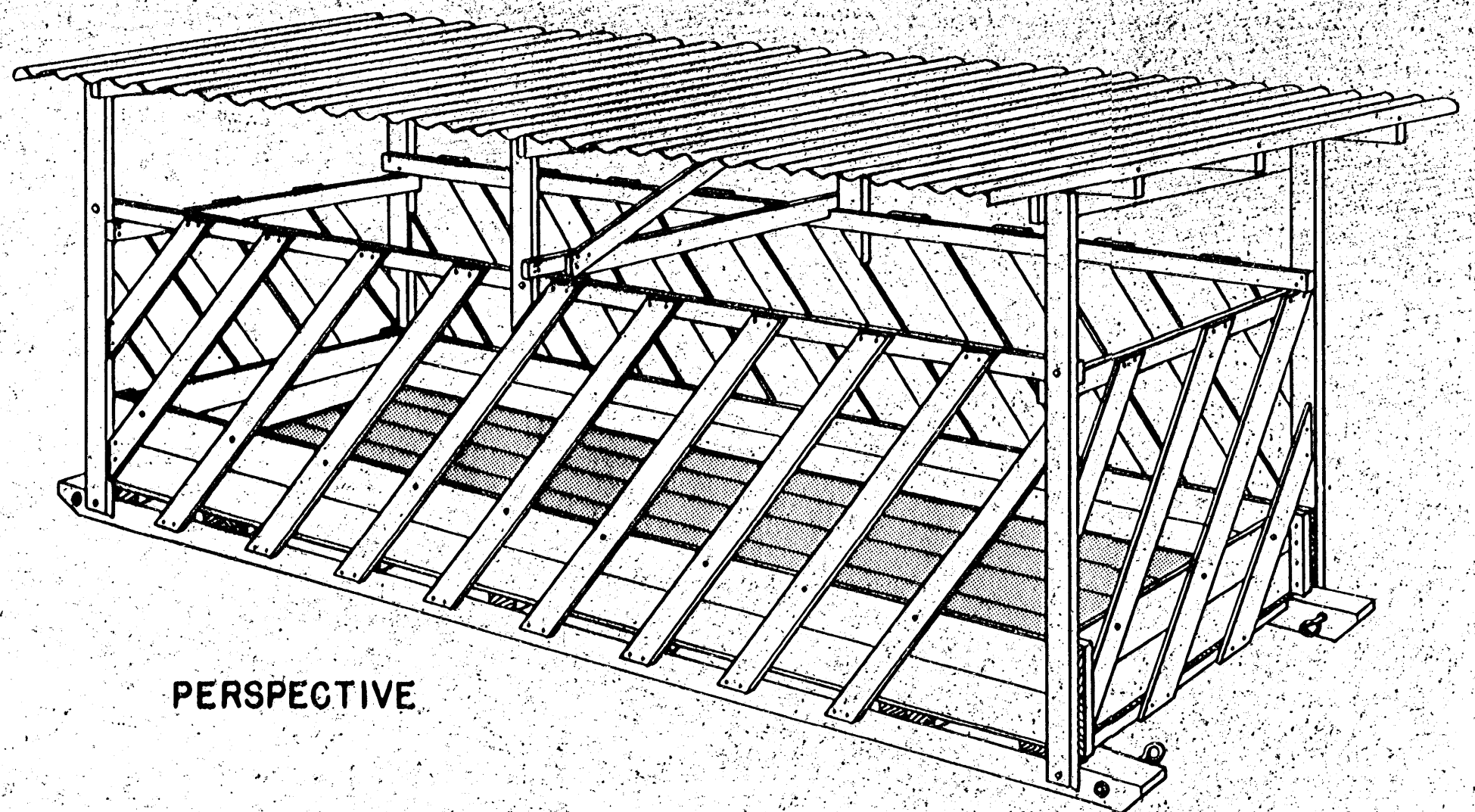
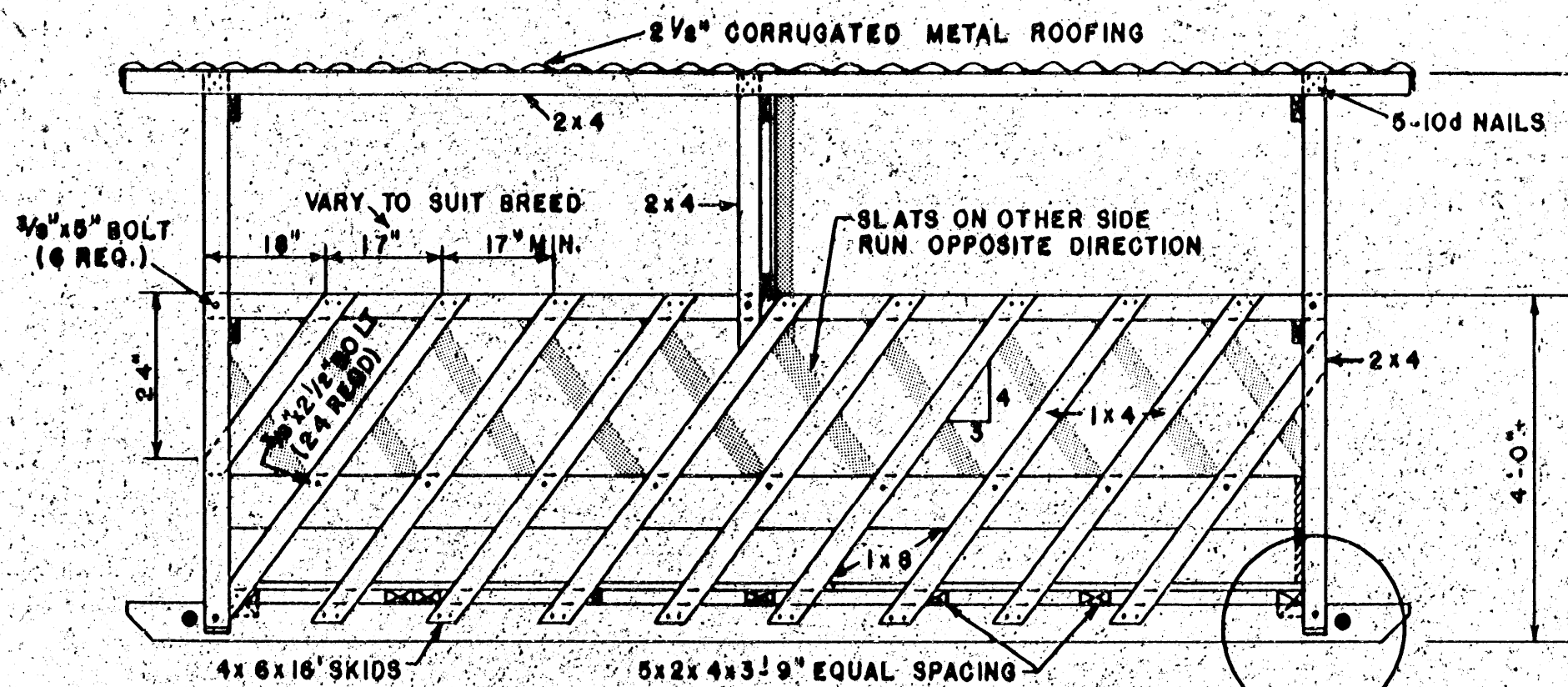


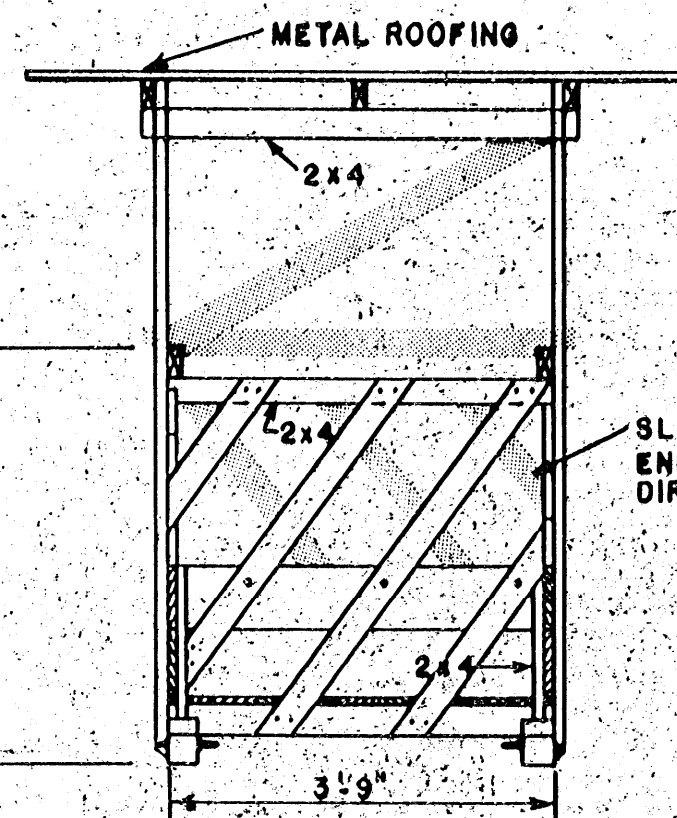
ROOF
FLOOR
FRAME
PLAN



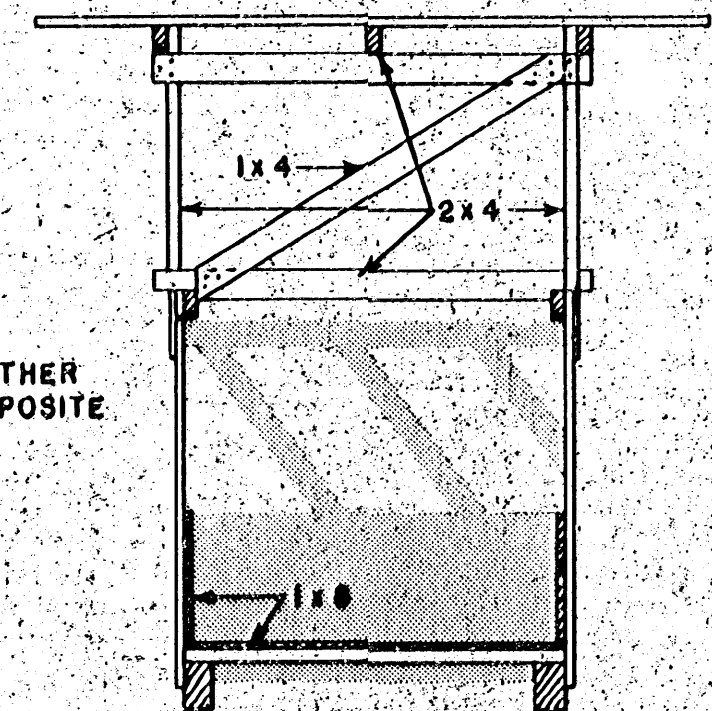
PERSPECTIVE



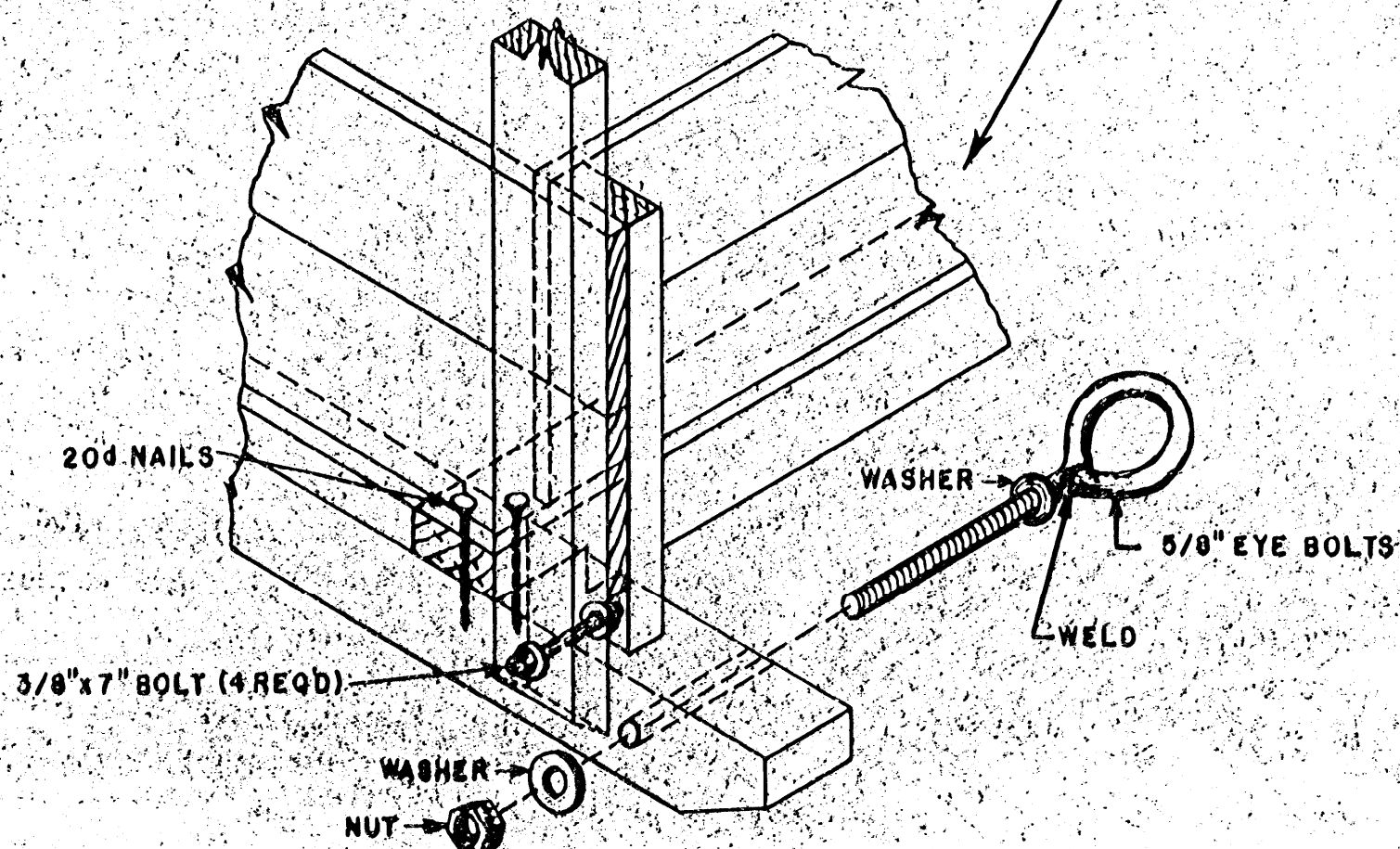
SIDE VIEW



END VIEW



CROSS SECTION



NOTES:
ALL LUMBER IN CONTACT WITH OR WITHIN 12" OF GROUND SHOULD BE PRESSURE TREATED.

SOME PRESSURE TREATED POSTS & LUMBER USE PRESERVATIVES THAT EPA DOES NOT ALLOW IN CONTACT WITH FEED. IN SUCH CASES, PLYWOOD OR PLASTIC SHOULD BE USED AS A LINER. CHECK SUPPLIER OR LABELS FOR GUIDANCE.

NAILS AND BOLTS SHOULD BE GALVANIZED

8d NAILS USED FOR SLATS SIDES AND FLOOR

MATERIAL LIST:

- 13- 1x4x10' SLATS AND BRACES
- 1- 4x4x8' SPREADERS
- 2- 4x6x16' SKIDS
- 11- 1x6x16' BUNK
- 4- 2x4x16'
- 5- 2x4x14'
- 3- 2x4x8'

HARDWARE:

- 8- SHEETS 2 1/2" CORRUGATED METAL - 7' LONG
- ROOFING NAILS
- 8d - 5LB.
- 10d - 1LB.
- 20d - 1LB.
- 24- 3/8x 2 1/2" BOLTS
- 4- 3/8x 7" BOLTS
- 6- 3/8x 6" BOLTS
- 4- EYE BOLTS 5/8"

COOPERATIVE EXTENSION WORK IN AGRICULTURE AND HOME ECONOMICS

UNITED STATES DEPARTMENT OF AGRICULTURE COOPERATING

CATTLE FEEDING RACK
FOR HAY & SILAGE

USDA '81 EX. 5925 SHEET 1 OF 1

REVISED '88

SCALE: 1/2" = 1'-0" UNLESS OTHERWISE INDICATED.