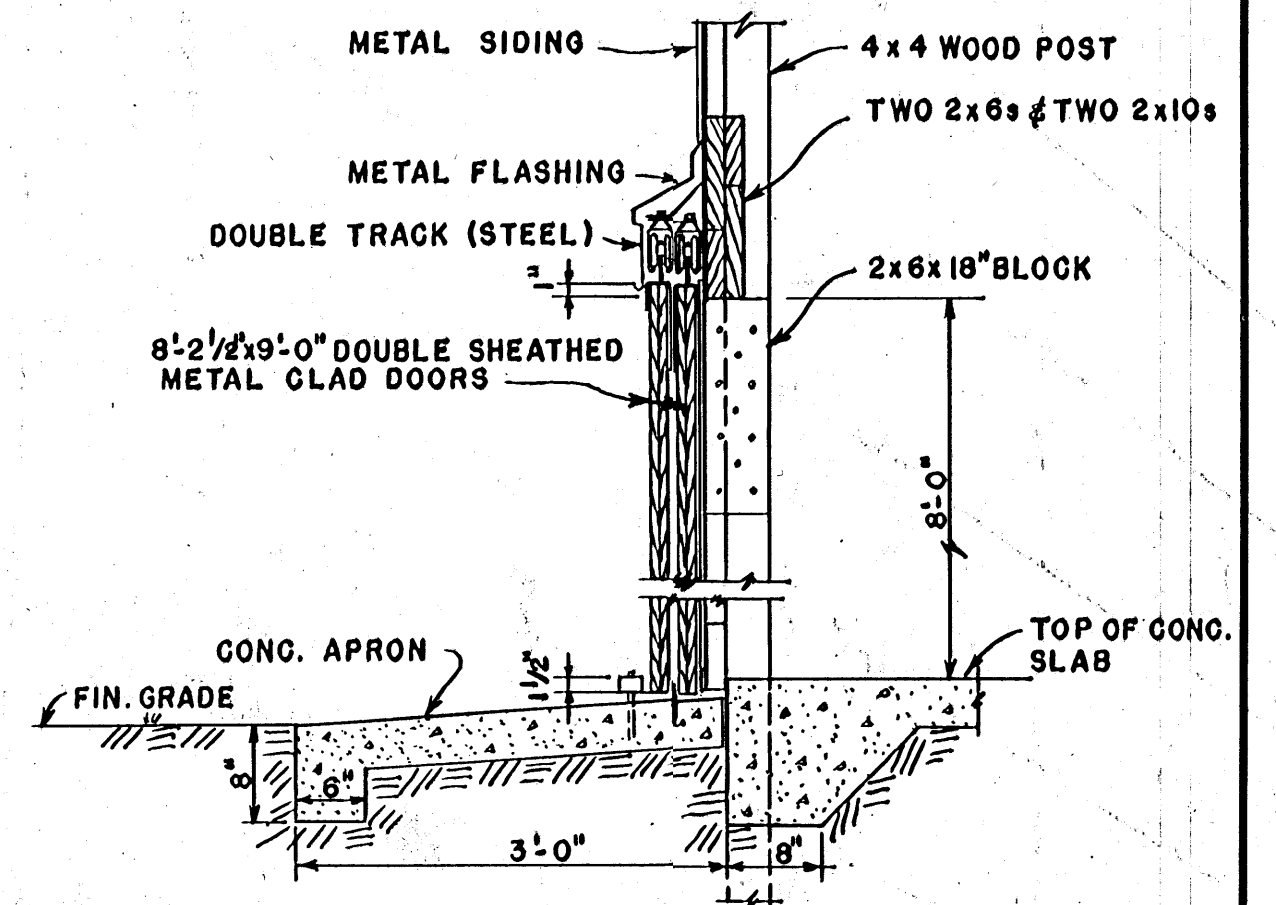
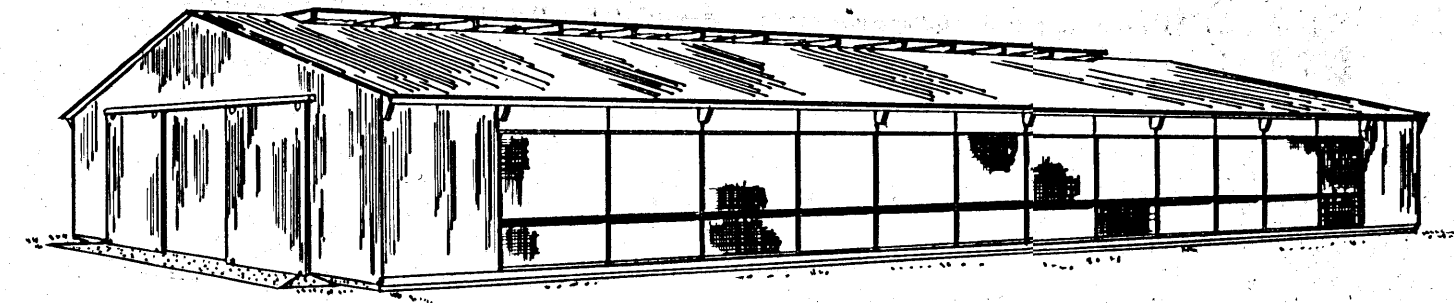


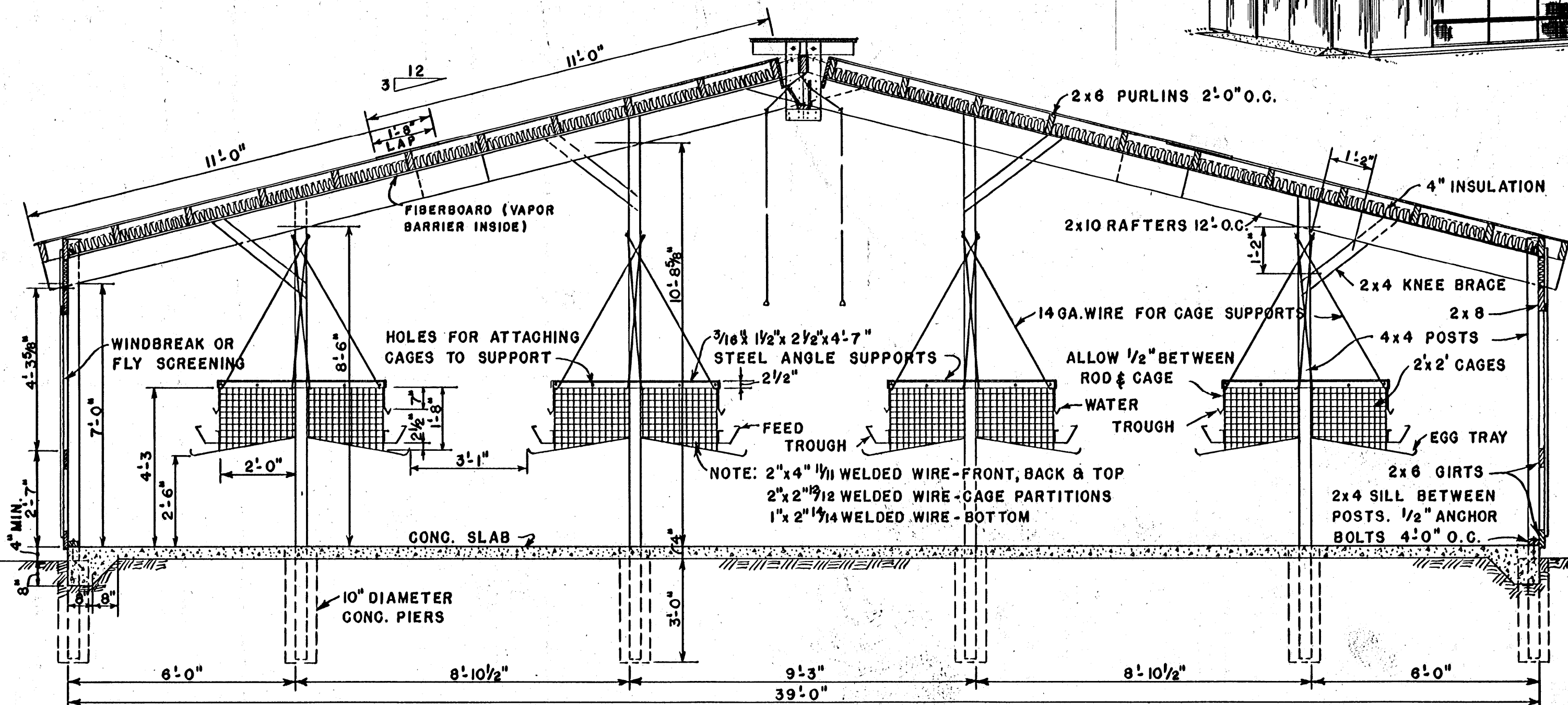
PLAN
SCALE: 1/8" = 1'-0"



SECTION C-C
SCALE: 3/4" = 1'-0"



PERSPECTIVE

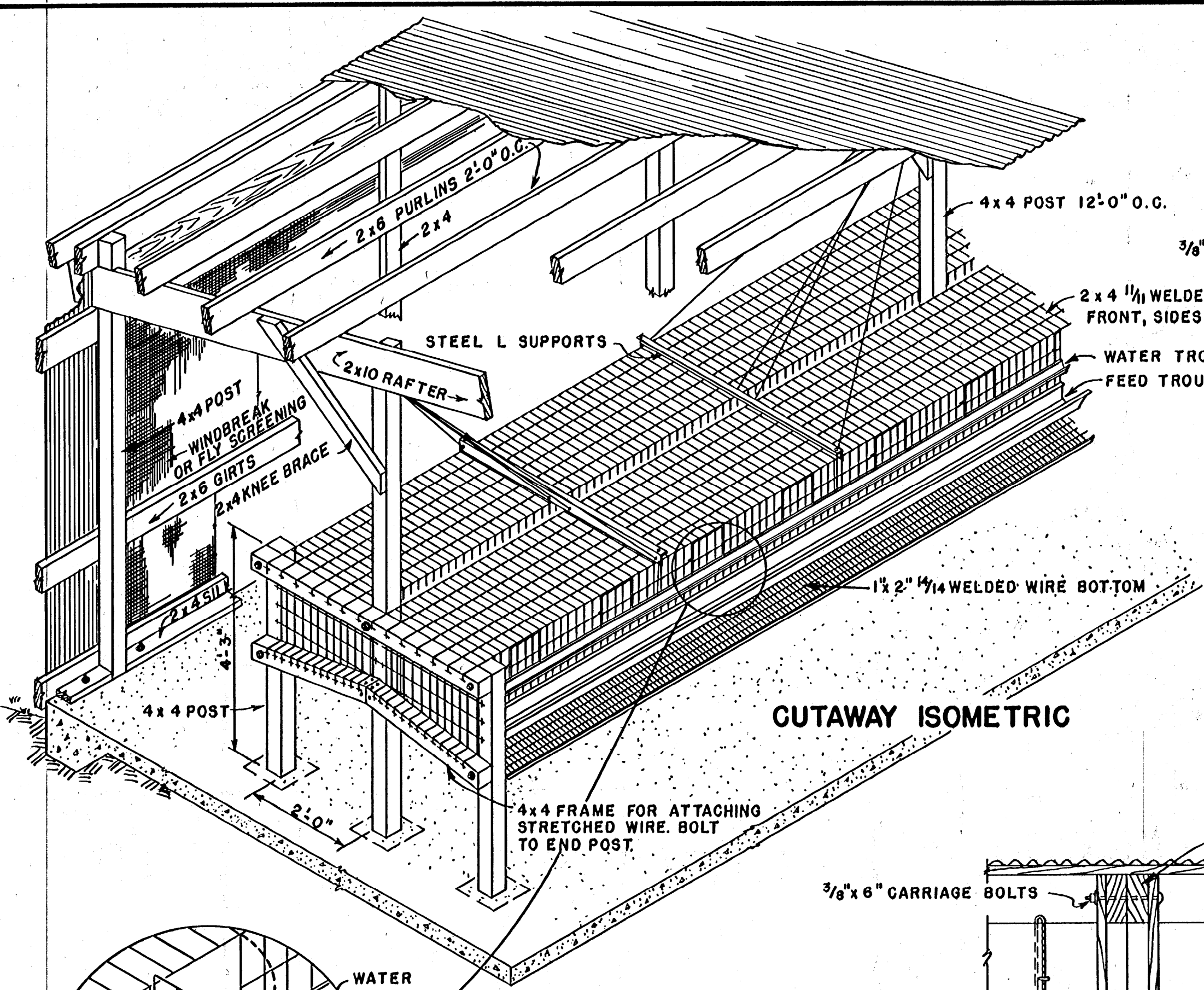


TYPICAL SECTION
SCALE: 3/8" = 1'-0"

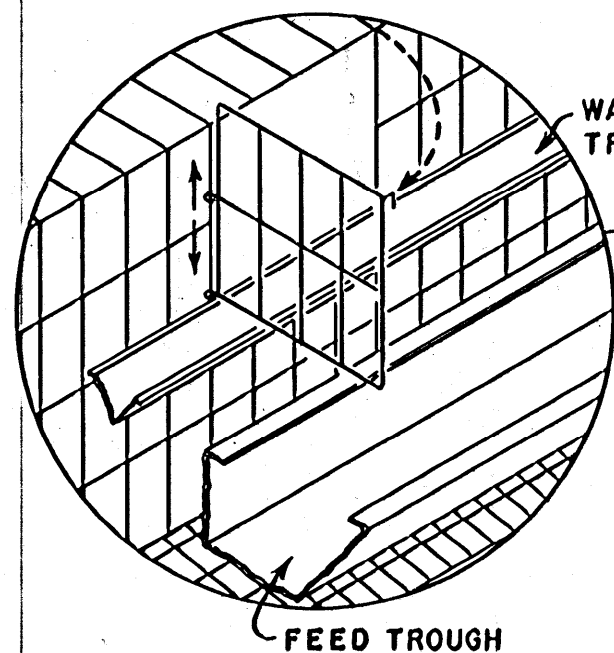
NOTES: LENGTH OF THE BUILDING MAY BE VARIED IN UNITS OF 12 FEET.
THIS STRUCTURE IS PRIMARILY INTENDED FOR USE IN AREAS WHERE THE SNOW LOAD DOES NOT EXCEED 20 LBS. PER SQUARE FOOT AND WIND DOES NOT EXCEED 76 MILES PER HOUR.
ALL POSTS AND WOOD IN CONTACT WITH THE GROUND TO BE TREATED WITH A PRESERVATIVE.
DIMENSIONS OF ALL WOOD MEMBERS SHOWN ARE BASED ON THE USE OF DRESSED LUMBER.
THICKENED SLAB MUST BE DEEP ENOUGH TO BEAR ON SOLID GROUND.
EQUIP METAL COVERED BLDG. WITH AN ADEQUATE LIGHTNING PROTECTION SYSTEM WHERE NEEDED.

COOPERATIVE EXTENSION WORK IN
AGRICULTURE AND HOME ECONOMICS
STATE OF MISSISSIPPI
MISSISSIPPI STATE UNIVERSITY
AND
UNITED STATES DEPARTMENT OF AGRICULTURE COOPERATING

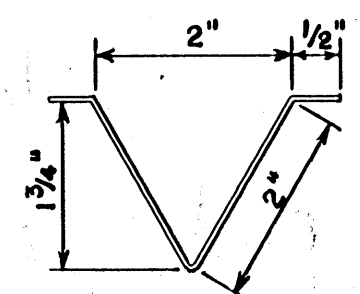
**STRETCHED WIRE
COLONY CAGE HOUSE**
USDA '61 EX. 5931 SHEET 1 OF 2



CUTAWAY ISOMETRIC

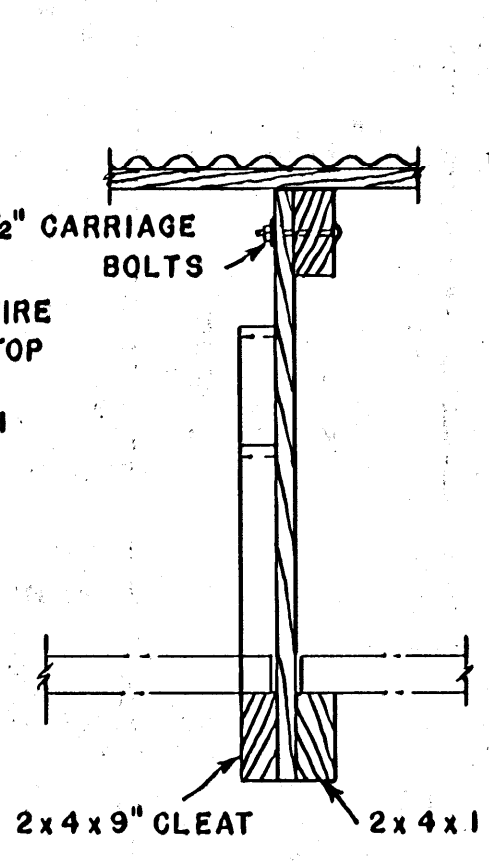
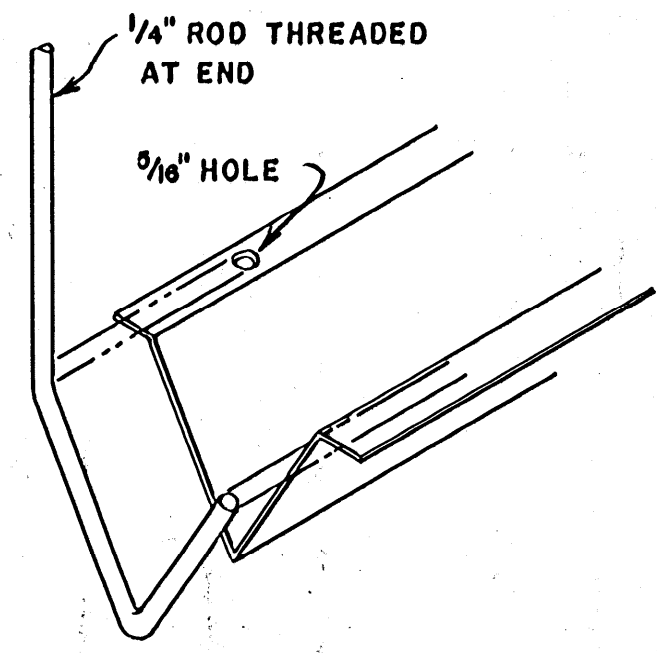


CAGE DOOR DETAIL
8"x8" DOOR SLIDES DOWN BEHIND WATER TROUGH TO LOCK.

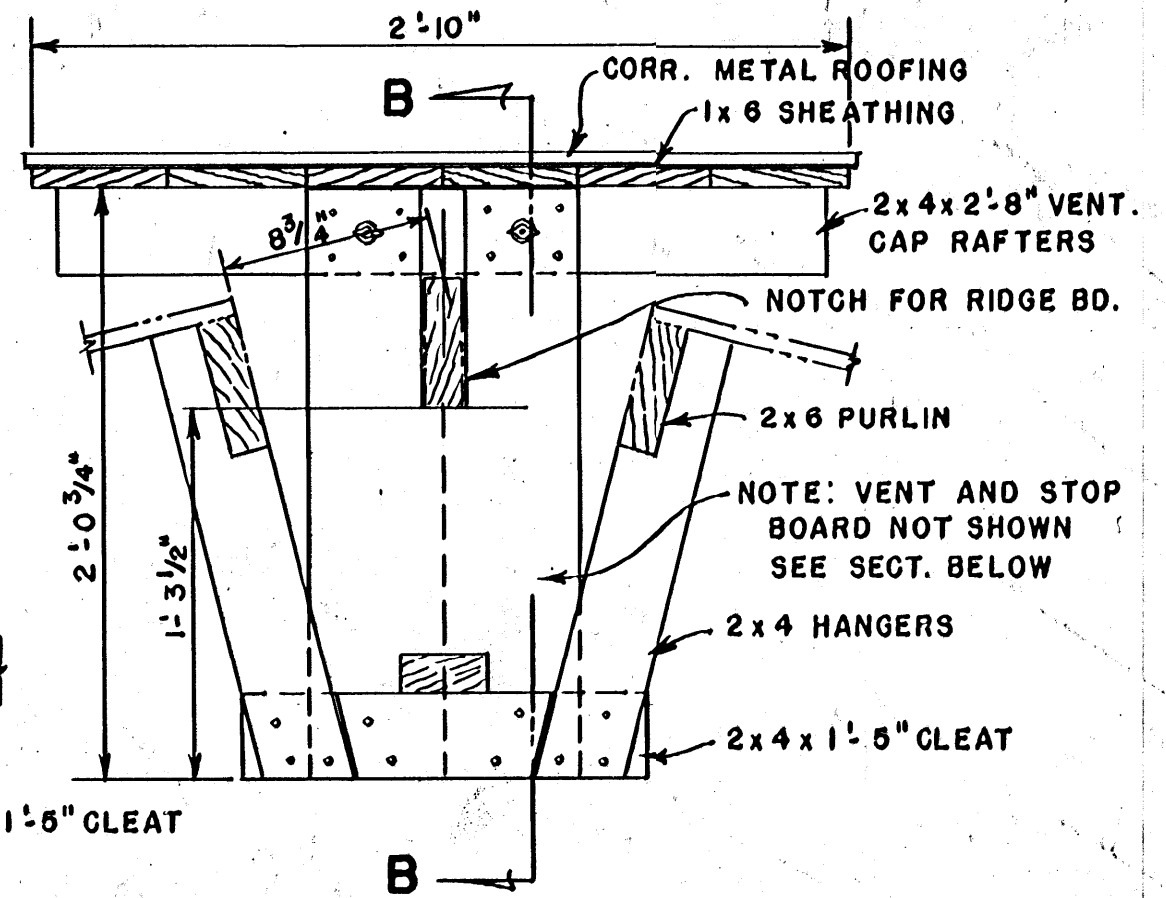


TROUGH MADE FROM 5" GALV. SHEET STEEL
USE 14 GAGE FOR 12' SPAN

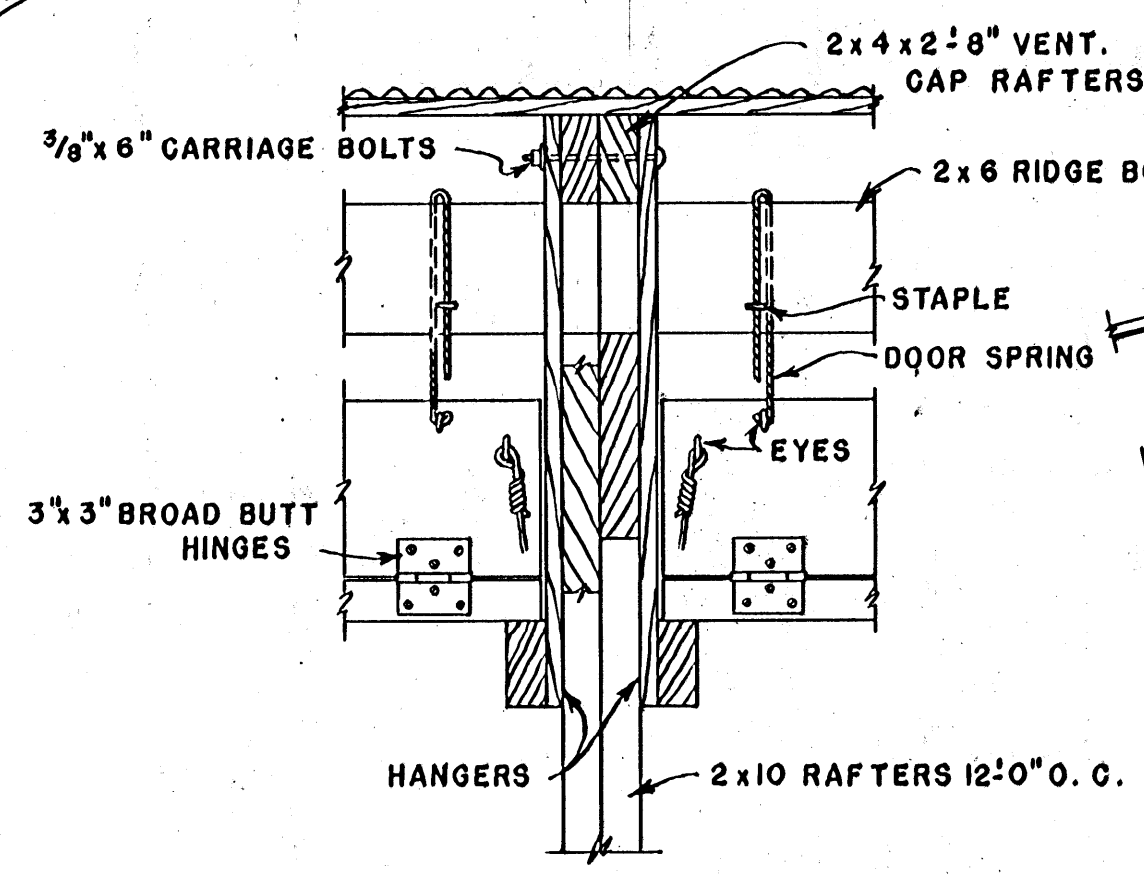
WATER TROUGH DETAIL
SCALE: HALF SIZE



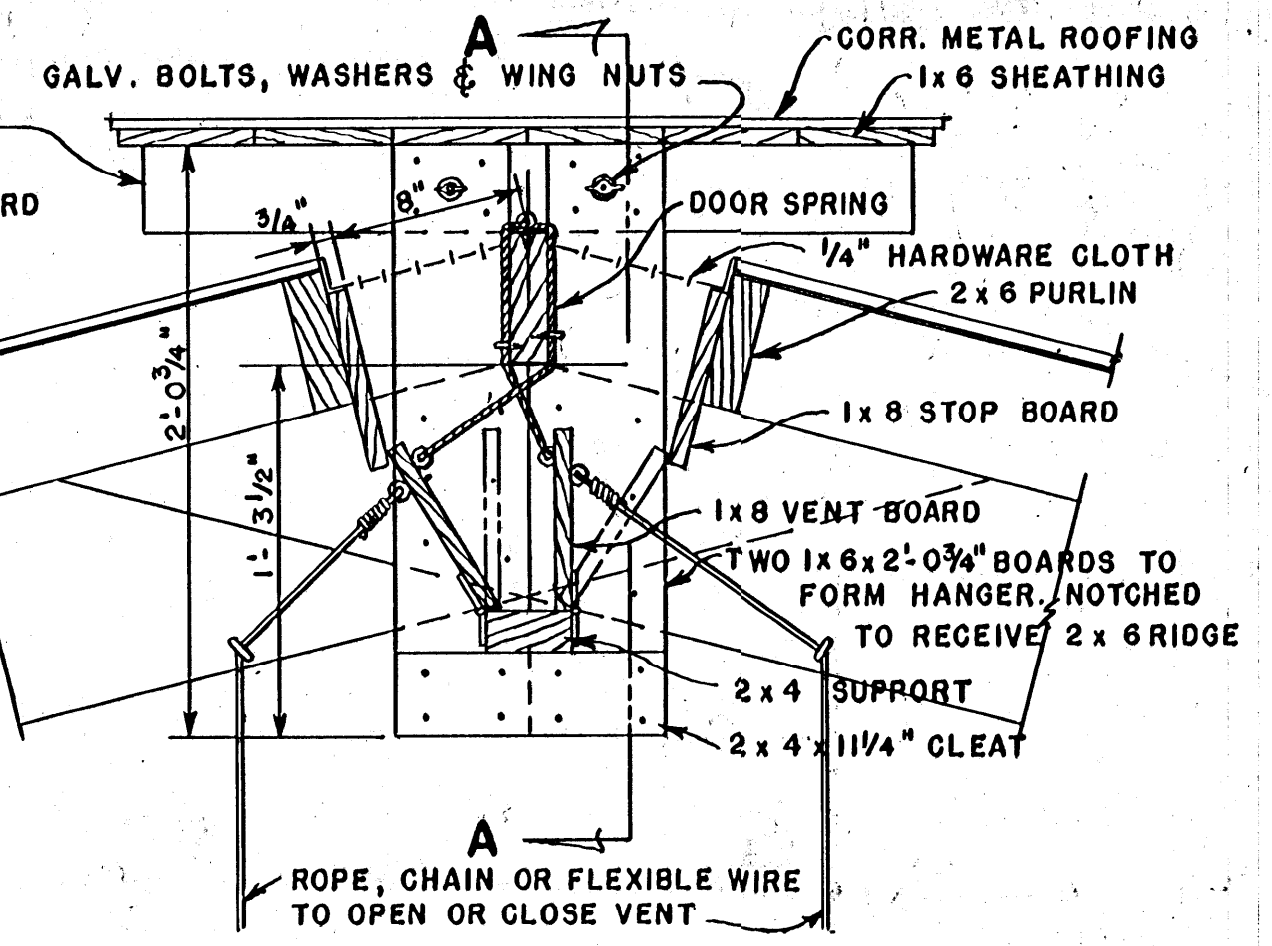
SECTION B-B



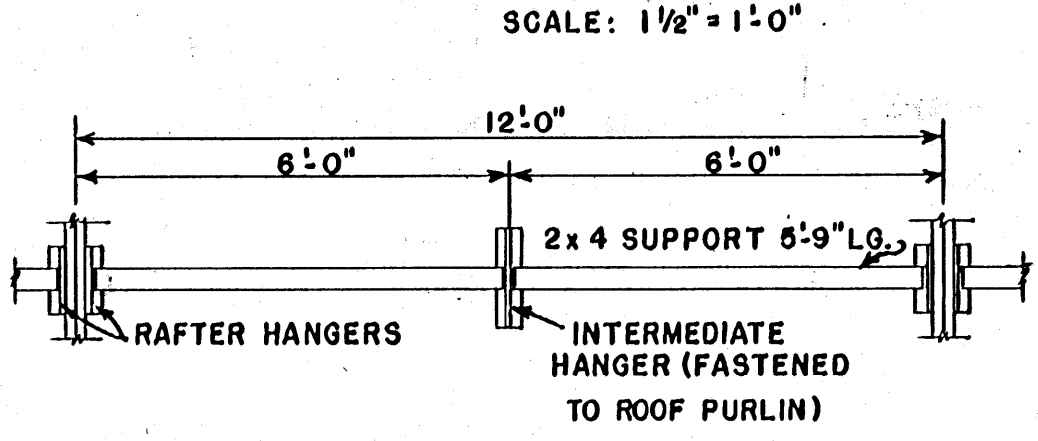
SECTION THRU INTERMEDIATE HANGER
SCALE: 1/2" = 1'-0"



SECTION A-A



SECTION THRU RAFTER HANGER



SPACING OF HANGERS FOR ROOF VENTS
SCALE: 3/8" = 1'-0"

COOPERATIVE EXTENSION WORK IN
AGRICULTURE AND HOME ECONOMICS
STATE OF MISSISSIPPI
MISSISSIPPI STATE UNIVERSITY
AND
UNITED STATES DEPARTMENT OF AGRICULTURE COOPERATING

STRETCHED WIRE COLONY CAGE HOUSE

USDA '61 EX. 5931 SHEET 2 OF 2