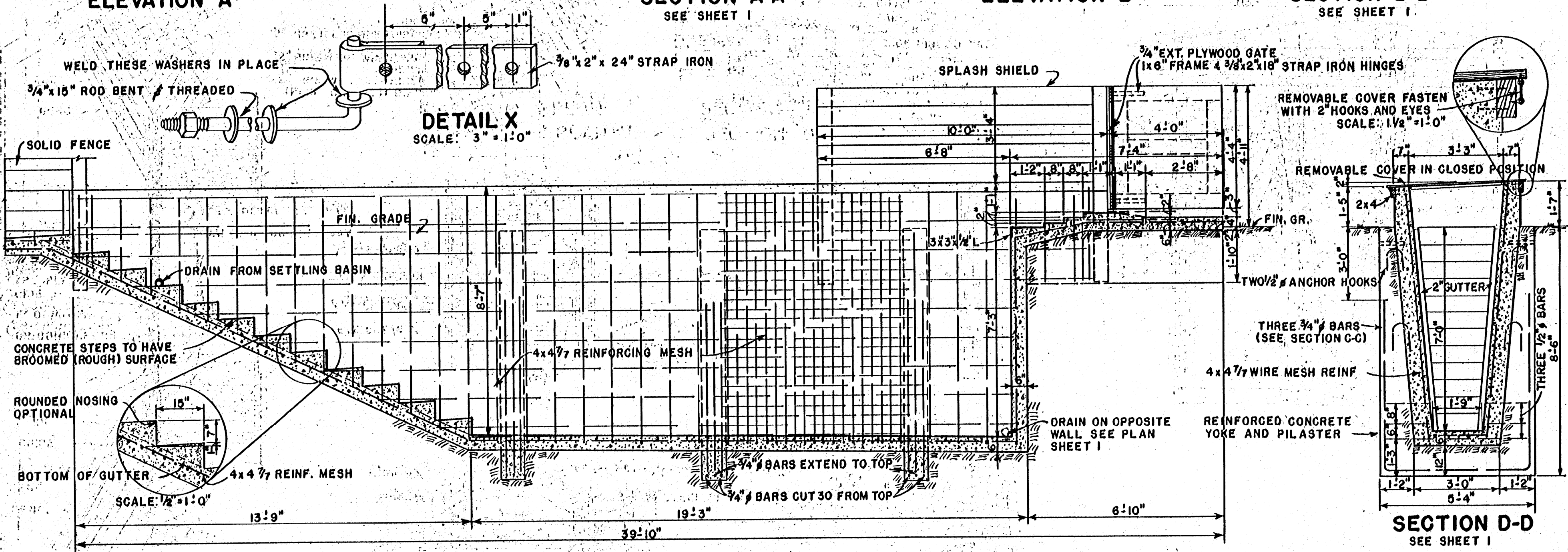
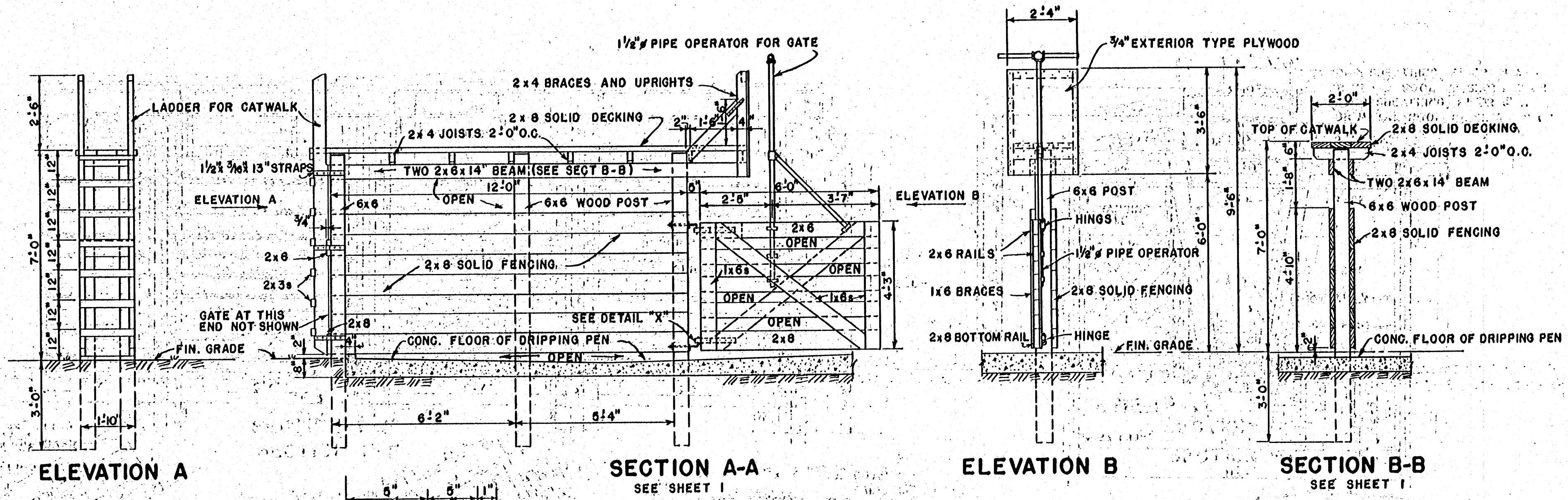


COOPERATIVE EXTENSION WORK IN
 AGRICULTURE AND HOME ECONOMICS
 STATE OF MISSISSIPPI
 MISSISSIPPI STATE UNIVERSITY
 AND
 UNITED STATES DEPARTMENT OF AGRICULTURE COOPERATING

CATTLE DIPPING VAT & INSPECTION FACILITY

ARS, USDA '62 EX. 5940 SHEET 1 OF 3

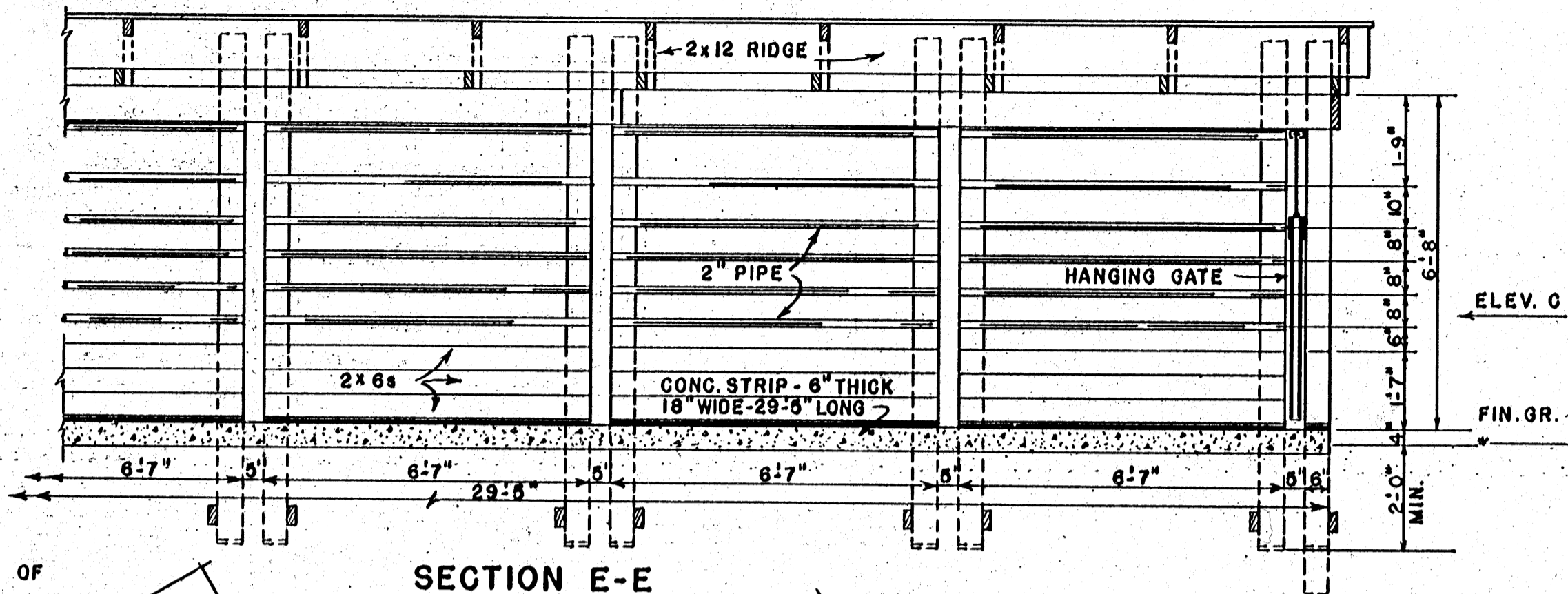


COOPERATIVE EXTENSION WORK IN
 AGRICULTURE AND HOME ECONOMICS
 STATE OF MISSISSIPPI
 MISSISSIPPI STATE UNIVERSITY
 AND
 UNITED STATES DEPARTMENT OF AGRICULTURE COOPERATING

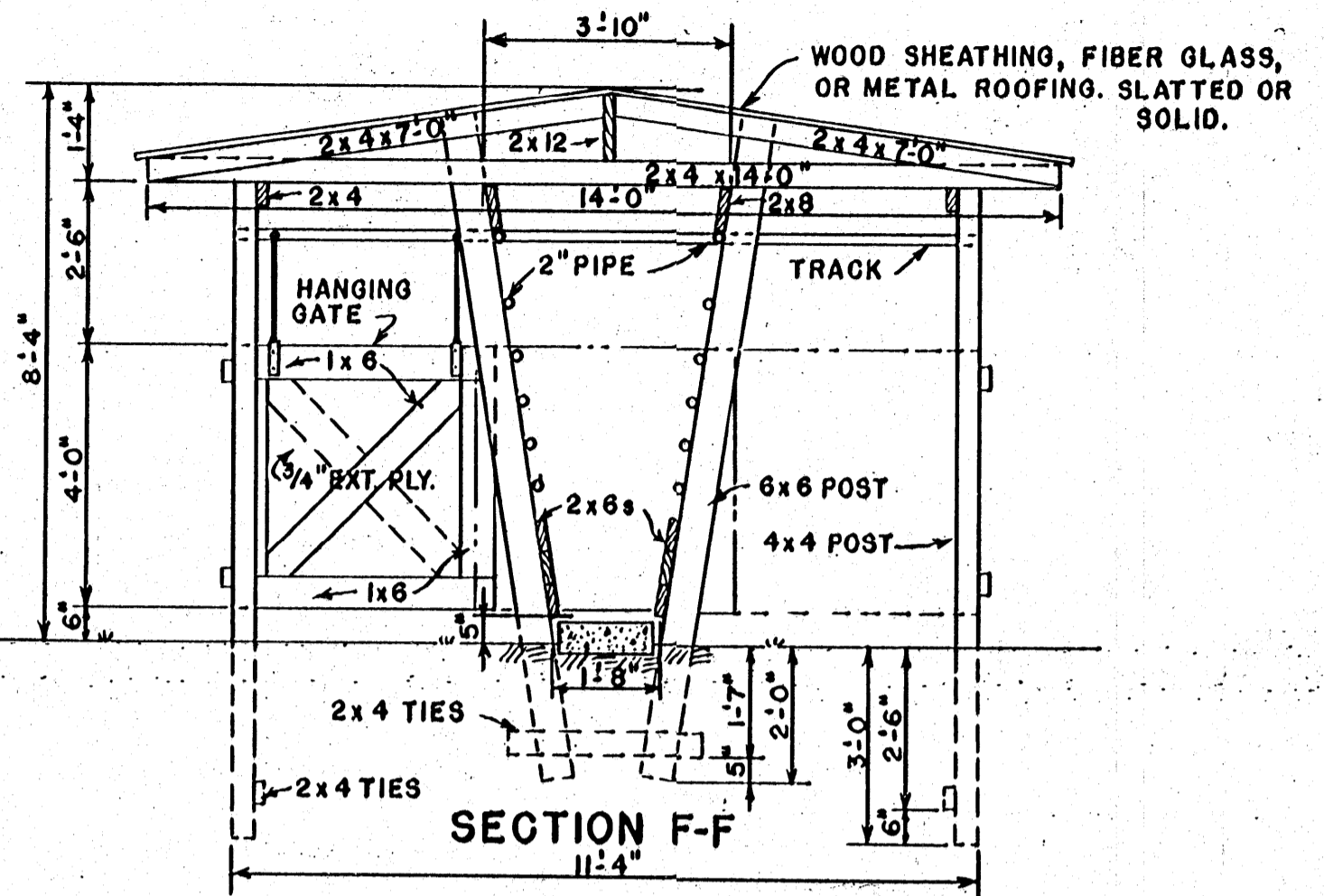
**CATTLE DIPPING VAT &
 INSPECTION FACILITY**

ARS, USDA '62 EX. 5940 SHEET 2 OF 3

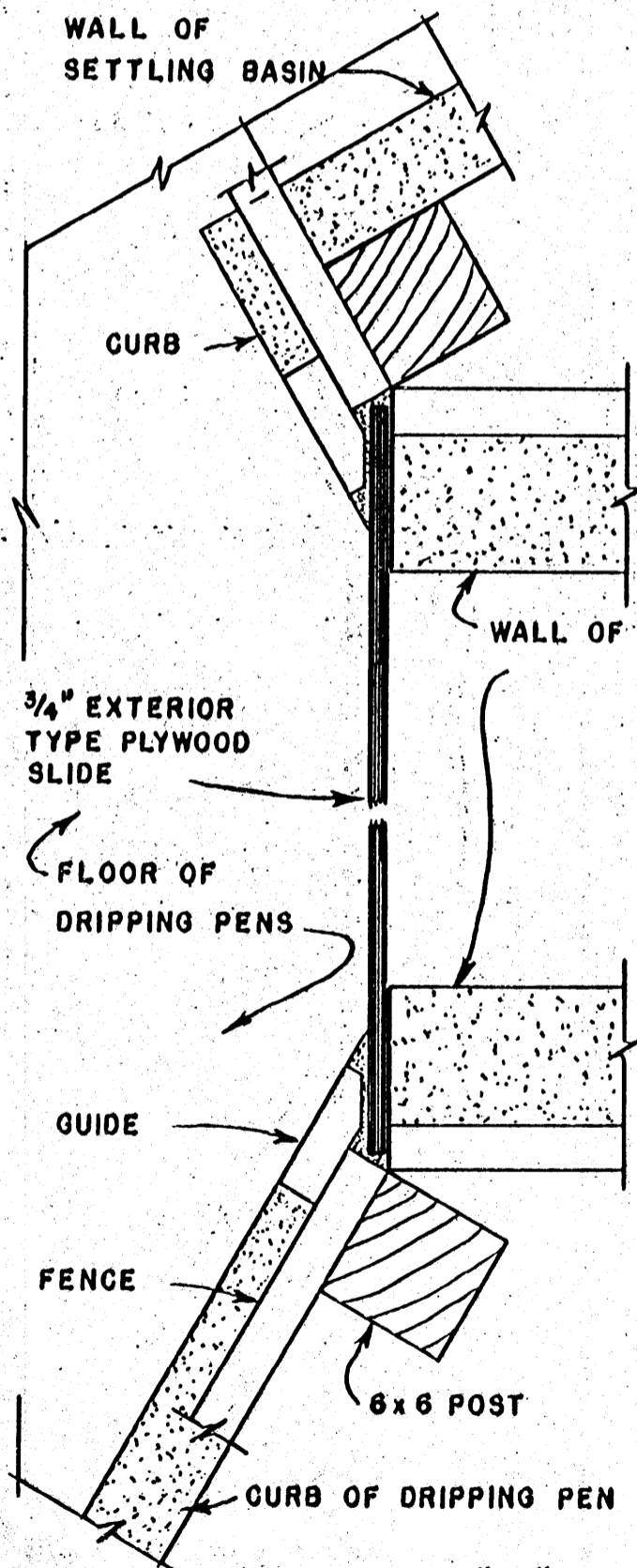
SCALE: 3/8" = 1'-0" THROUGH-OUT UNLESS OTHERWISE NOTED.



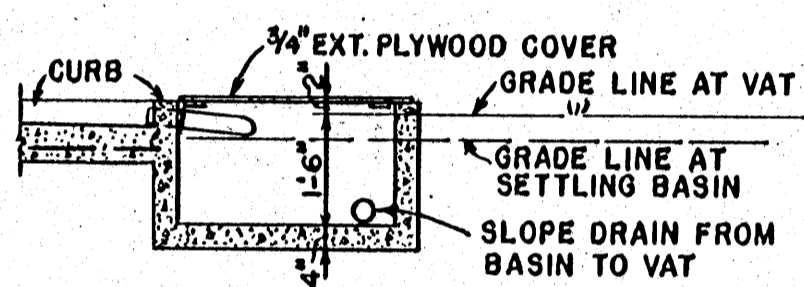
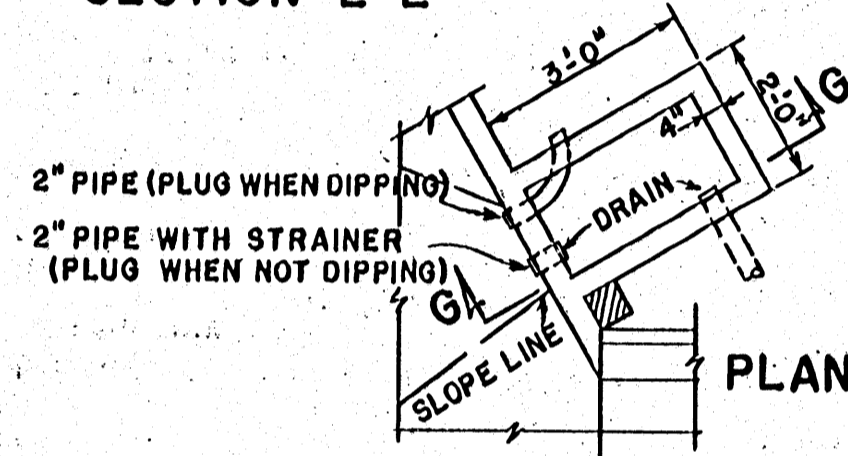
SECTION E-E



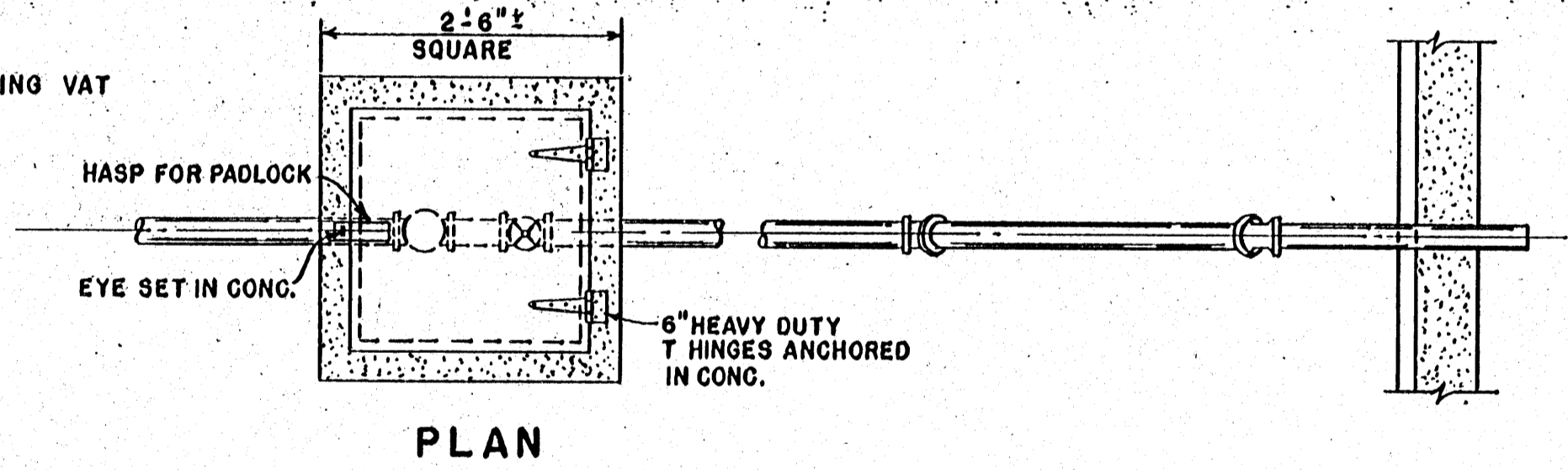
SECTION F-F



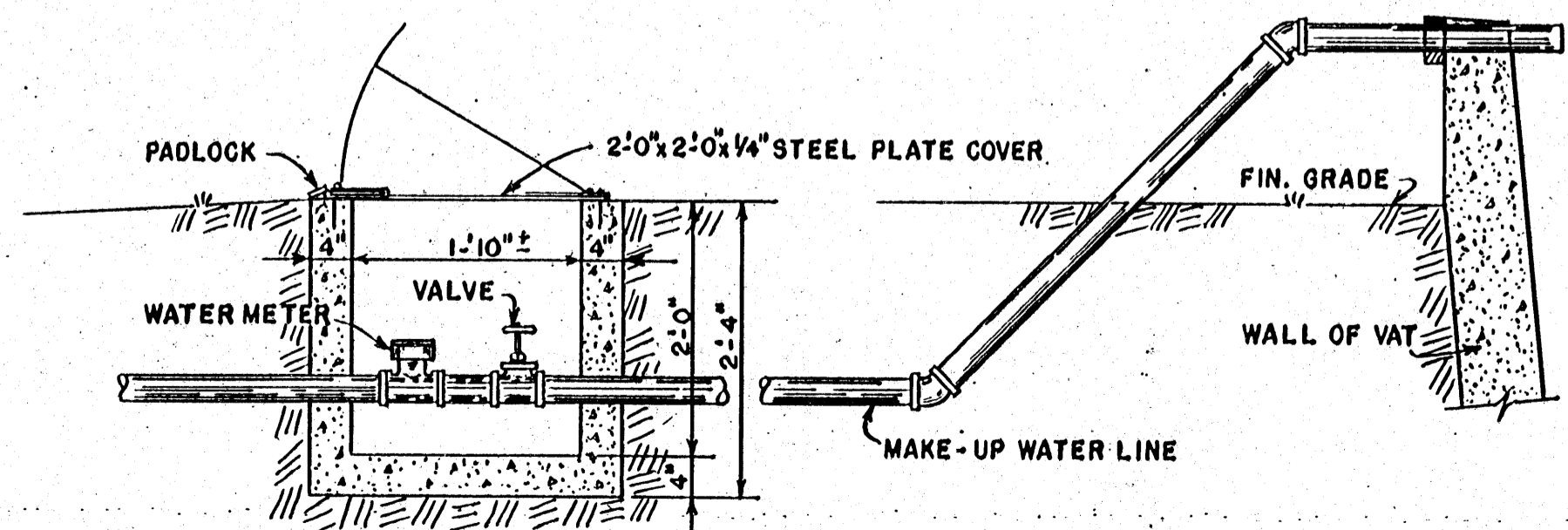
DETAIL "Z"
SCALE: 1/2" = 1'-0"



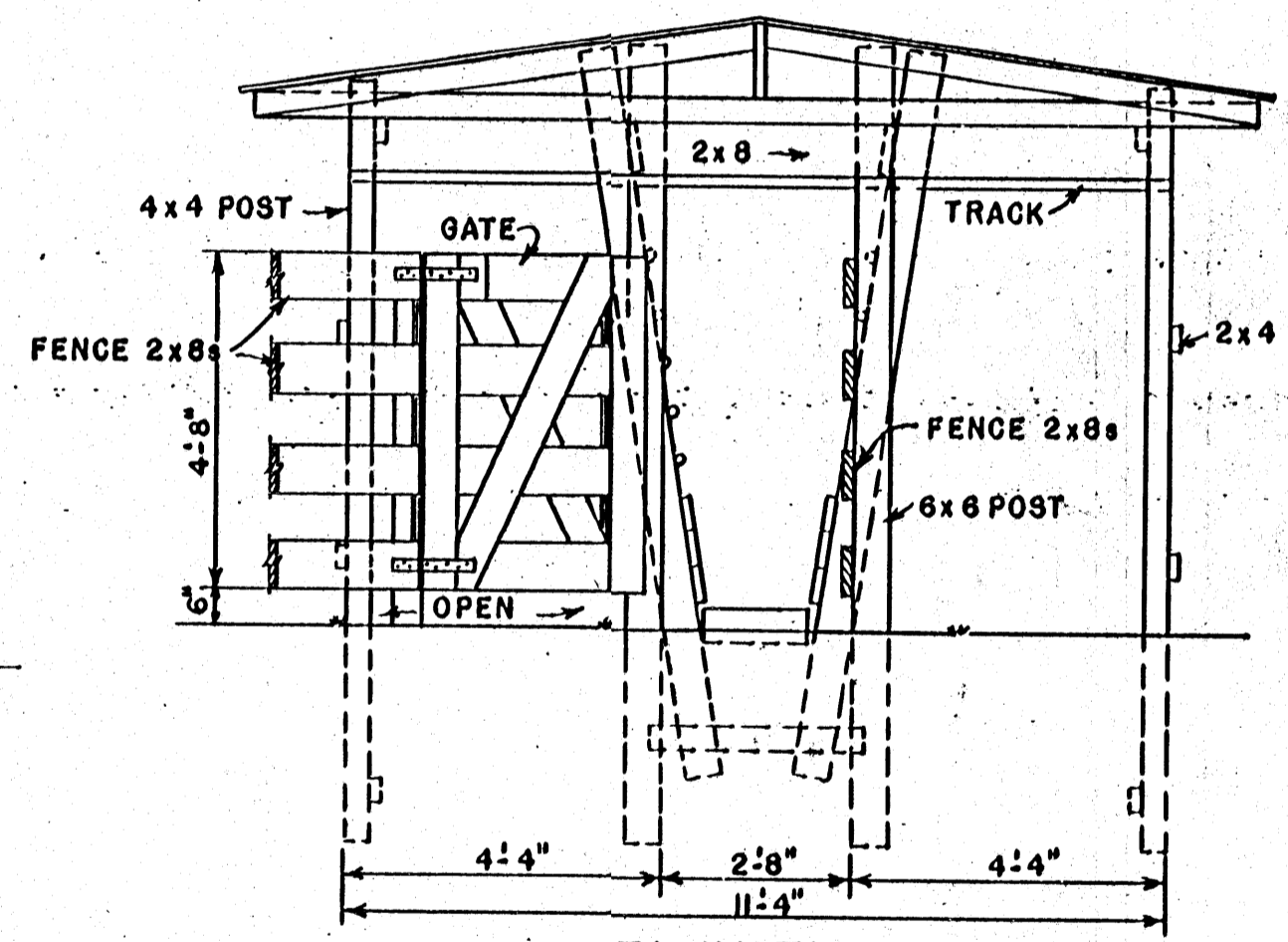
SECTION G-G
DETAIL "Y"



PLAN



SECTION THRU VALVE BOX
SCALE: 3/4" = 1'-0"



ELEVATION C

SCALE: 3/8" = 1'-0" THROUGH-OUT UNLESS OTHERWISE NOTED.

COOPERATIVE EXTENSION WORK IN
AGRICULTURE AND HOME ECONOMICS
STATE OF MISSISSIPPI
MISSISSIPPI STATE UNIVERSITY
AND
UNITED STATES DEPARTMENT OF AGRICULTURE COOPERATING

CATTLE DIPPING VAT & INSPECTION FACILITY

ARS-USDA '62 EX. 5940 SHEET 3 OF 3