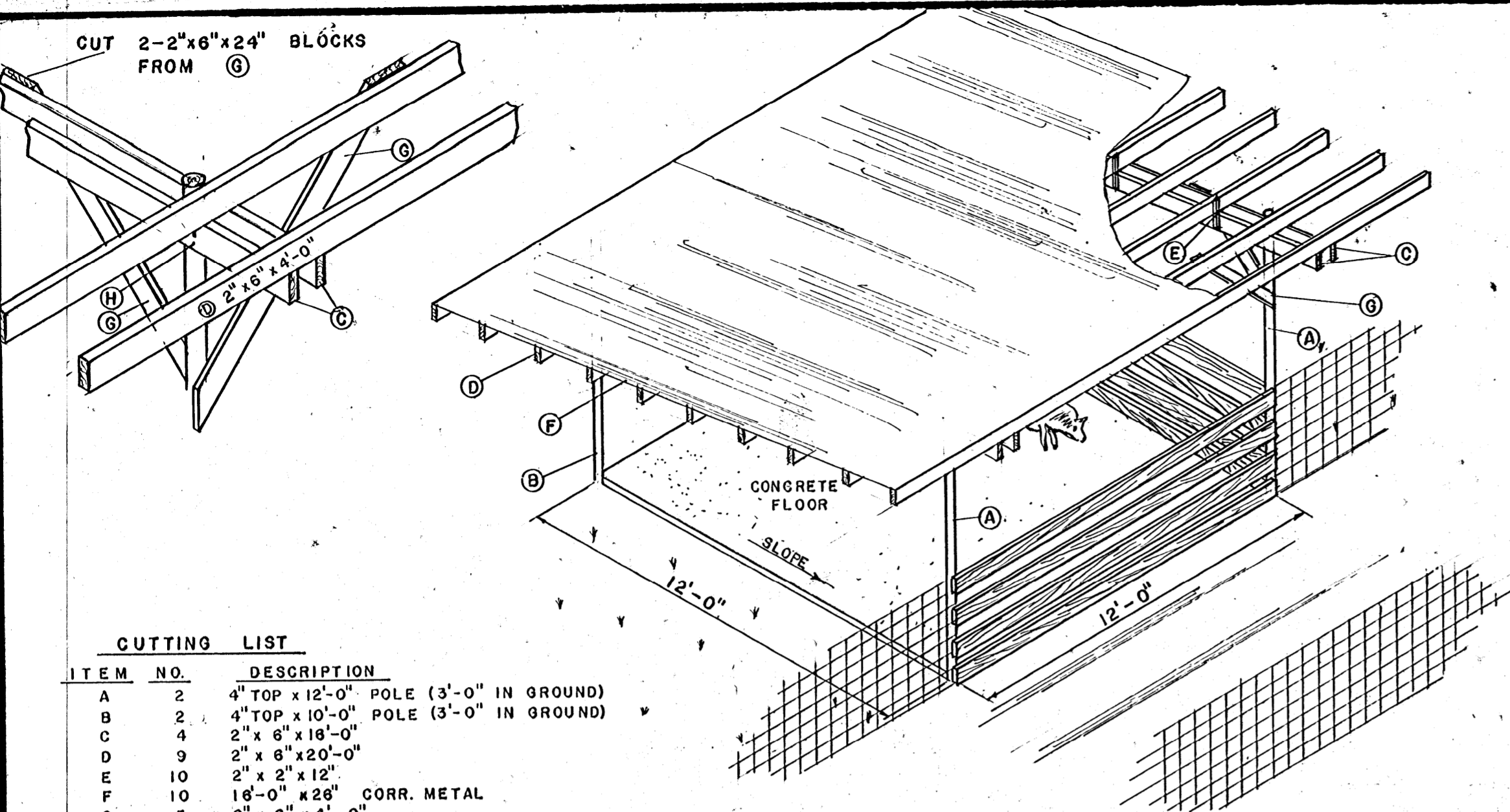


CUT 2-2"x6"x24" BLOCKS FROM ⑥



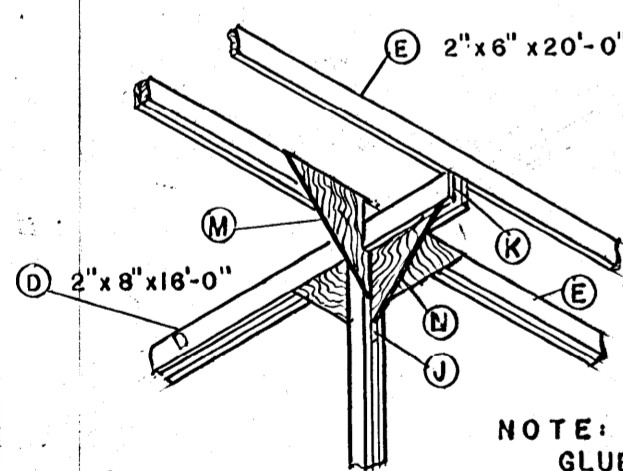
CUTTING LIST

| ITEM NO. | DESCRIPTION |
|----------|--|
| A 2 | 4" TOP x 12'-0" POLE (3'-0" IN GROUND) |
| B 2 | 4" TOP x 10'-0" POLE (3'-0" IN GROUND) |
| C 4 | 2" x 6" x 16'-0" |
| D 9 | 2" x 6" x 20'-0" |
| E 10 | 2" x 2" x 12" |
| F 10 | 16'-0" x 26" CORR. METAL |
| G 5 | 2" x 6" x 4'-0" |
| H 8 | 1/2" x 9" BOLTS |

NOTE:
 WATERS MOUNTED ON CONCRETE FLOOR.
 JOIN SHADE ALONG ONE SIDE OF FENCED PASTURE.
 (CAN BE IN CORNER). SLOPE CONCRETE TO DRAIN
 OUTSIDE PENNED AREA. USE 2"x6" OAK FOR FENCE
 AROUND CONCRETE AREA. FEED SOWS ON CONCRETE.

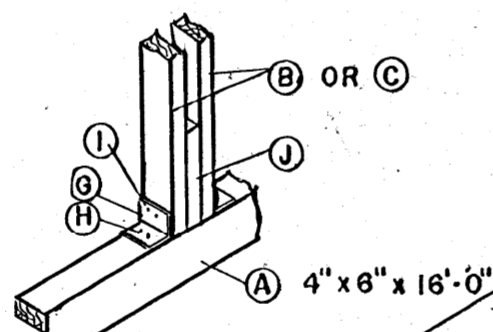
SHADE SPACE REQUIREMENTS
 15 TO 20 SQ. FT. PER SOW.
 20 TO 40 SQ. FT. PER SOW & LITTER.
 4 SQ. FT. PER HEAD TO 100 LBS.
 6 SQ. FT. PER HEAD OVER 100 LBS.

NOTE:
 2"x6" KNEE BRACING CAN BE
 USED INSTEAD OF PLYWOOD



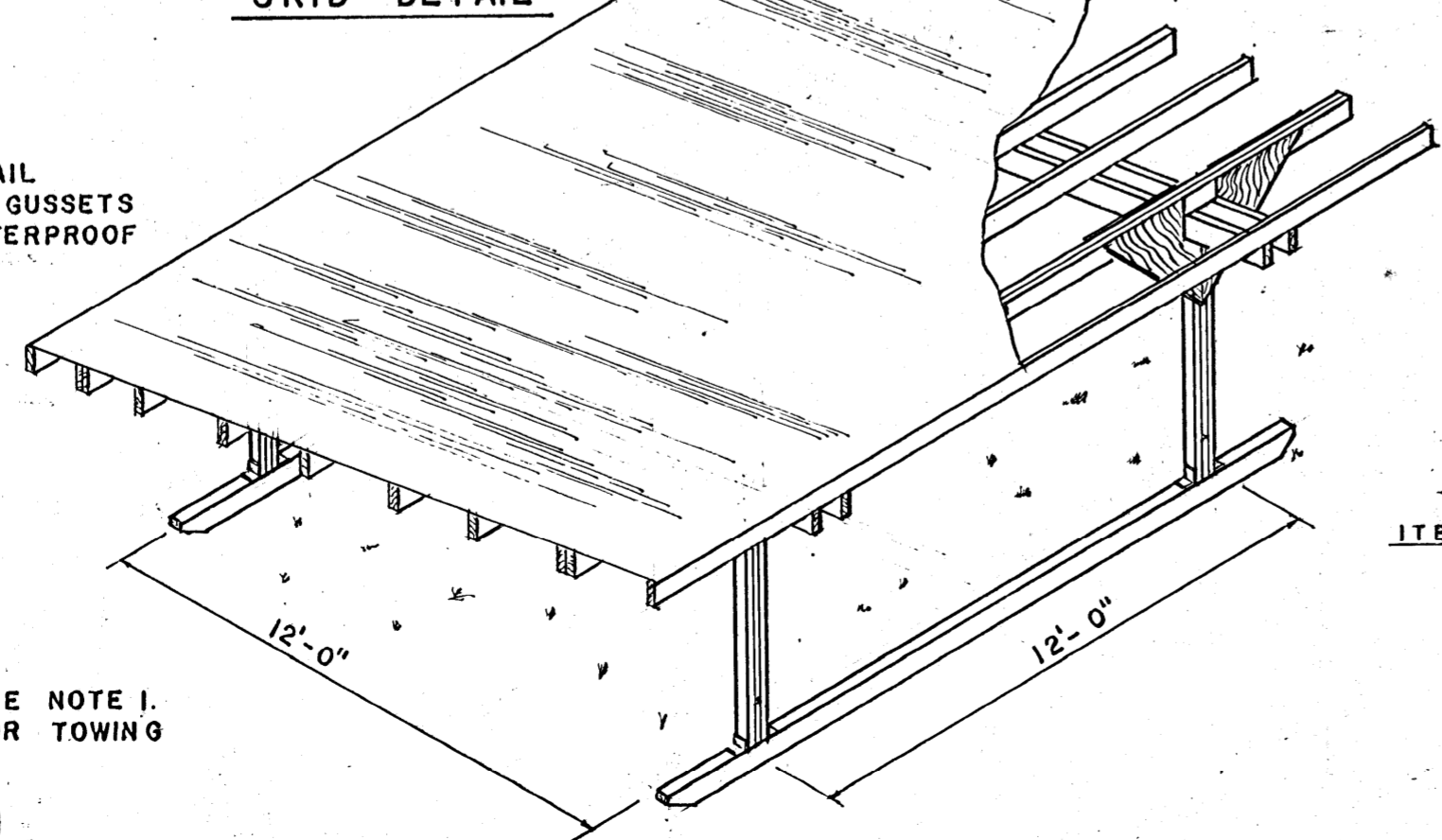
CORNER DETAIL

NOTE:
 GLUE & NAIL
 PLYWOOD GUSSETS
 WITH WATERPROOF
 GLUE.

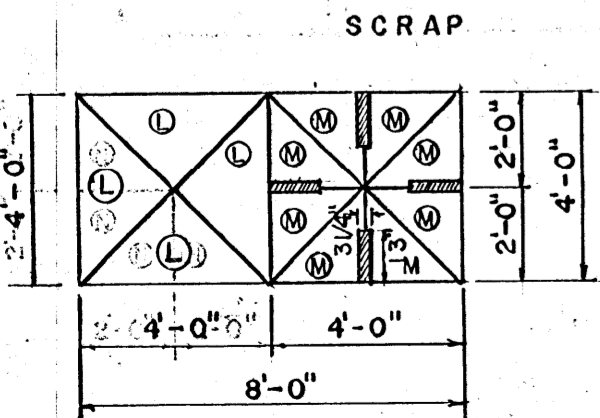


SKID DETAIL

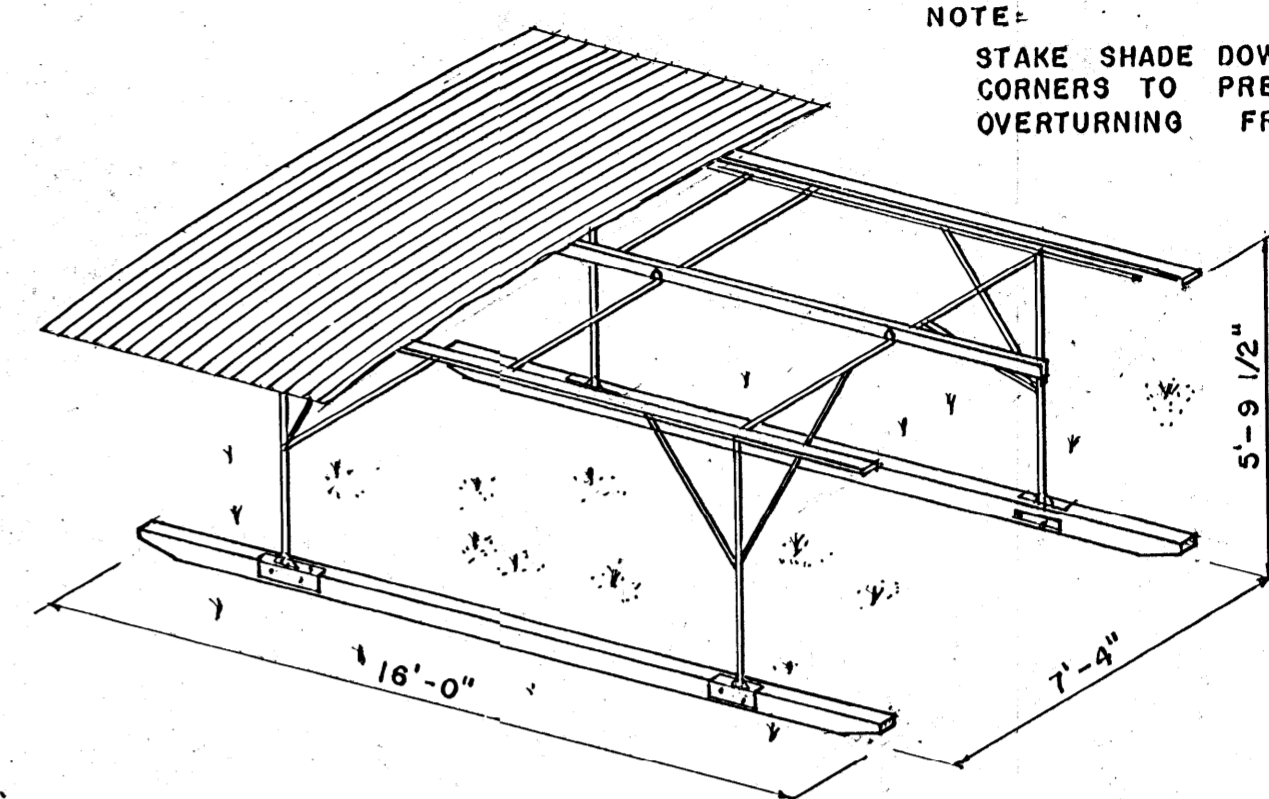
NOTE:
 DRIVE STAKES AT FOUR
 CORNERS TO ANCHOR
 SKIDS TO GROUND.



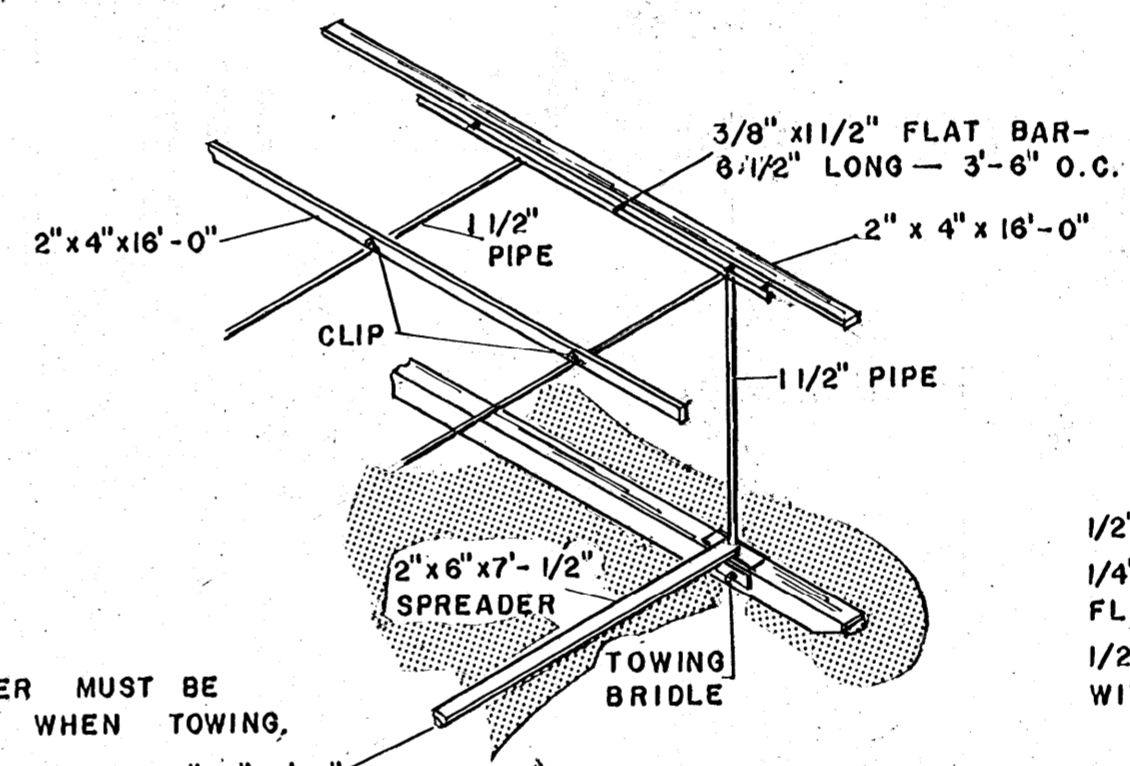
SEE NOTE I.
 FOR TOWING



PLYWOOD CUTTING DIAGRAM

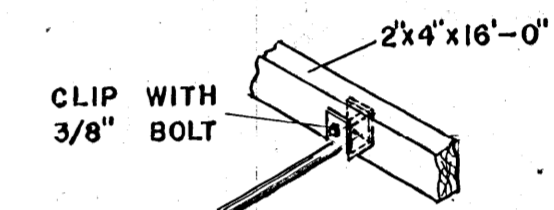


NOTE:
 STAKE SHADE DOWN AT FOUR
 CORNERS TO PREVENT
 OVERTURNING FROM WIND.

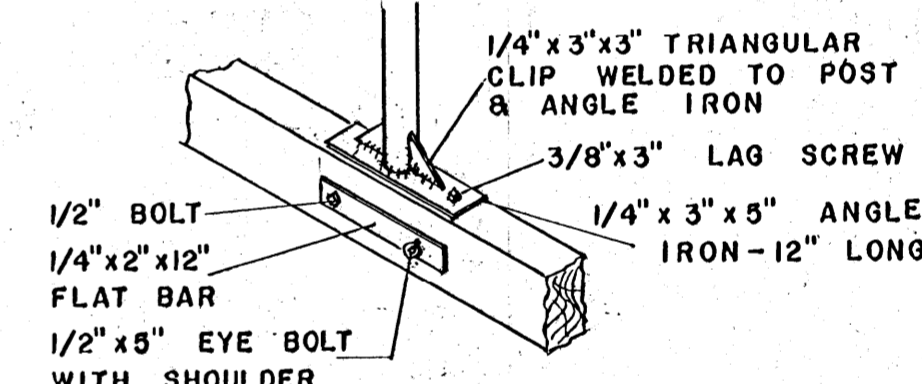


FRAMING DETAIL

NOTE I.
 SPREADER MUST BE
 BRACED WHEN TOWING,
 2" x 2" x 6'-8"

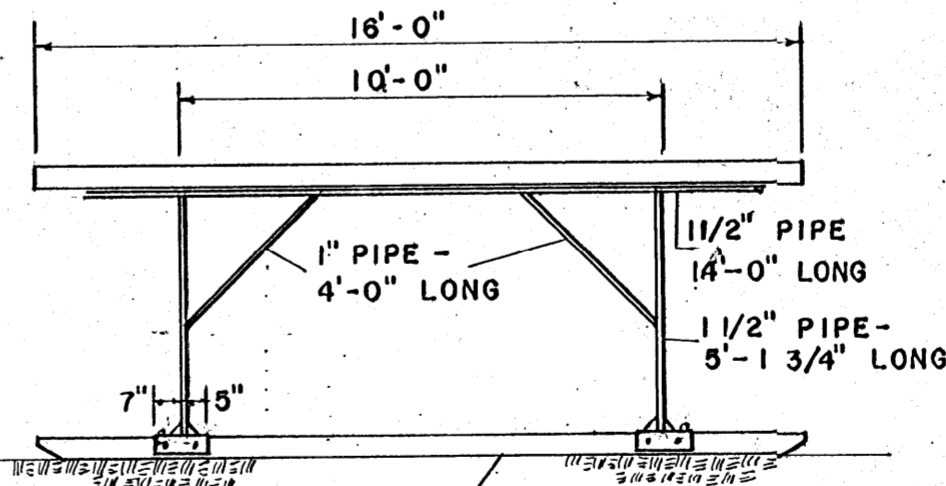


RIDGE DETAIL

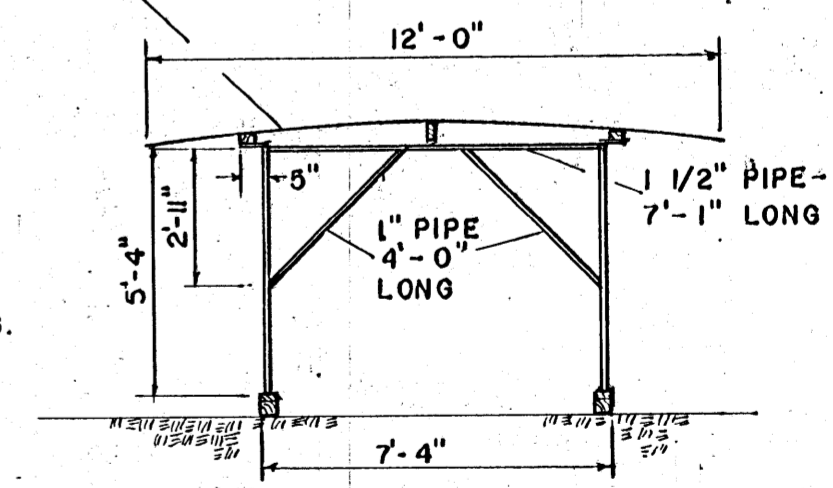


SKID DETAIL

2 1/2" CORRUGATED METAL ROOFING.
 FOLLOW MFR. RECOMMENDATIONS.



SIDE VIEW



END VIEW

CUTTING LIST

| ITEM NO. | DESCRIPTION |
|----------|-----------------------------------|
| A 2 | 4" x 6" x 16'-0" PRESSURE TREATED |
| B 4 | 2" x 4" x 6'-0" |
| C 4 | 2" x 4" x 4'-0" |
| D 4 | 2" x 6" x 16'-0" |
| E 11 | 2" x 6" x 20'-0" |
| F 10 | 16'-0" x 26" CORR. METAL |
| G 8 | 3" x 3" x 1/4" x 3 1/2" ANGLES |
| H 16 | 3/8" x 3" LAG SCREWS |
| I 8 | 1/2" x 9" BOLTS |
| J 8 | 2" x 4" x 12" |
| K 4 | 2" x 6" x 4'-0" |

SUN SHADES

COOPERATIVE EXTENSION SERVICE
 STATE OF MISSISSIPPI
 MISSISSIPPI STATE UNIVERSITY
 AND

UNITED STATES DEPARTMENT OF AGRICULTURE COOPERATING

DRAWN BY: R. F. W.

CHECKED BY: L. M.

DATE: JUNE '71

DWG. NO. 5947-A

SHT. 1 OF 1