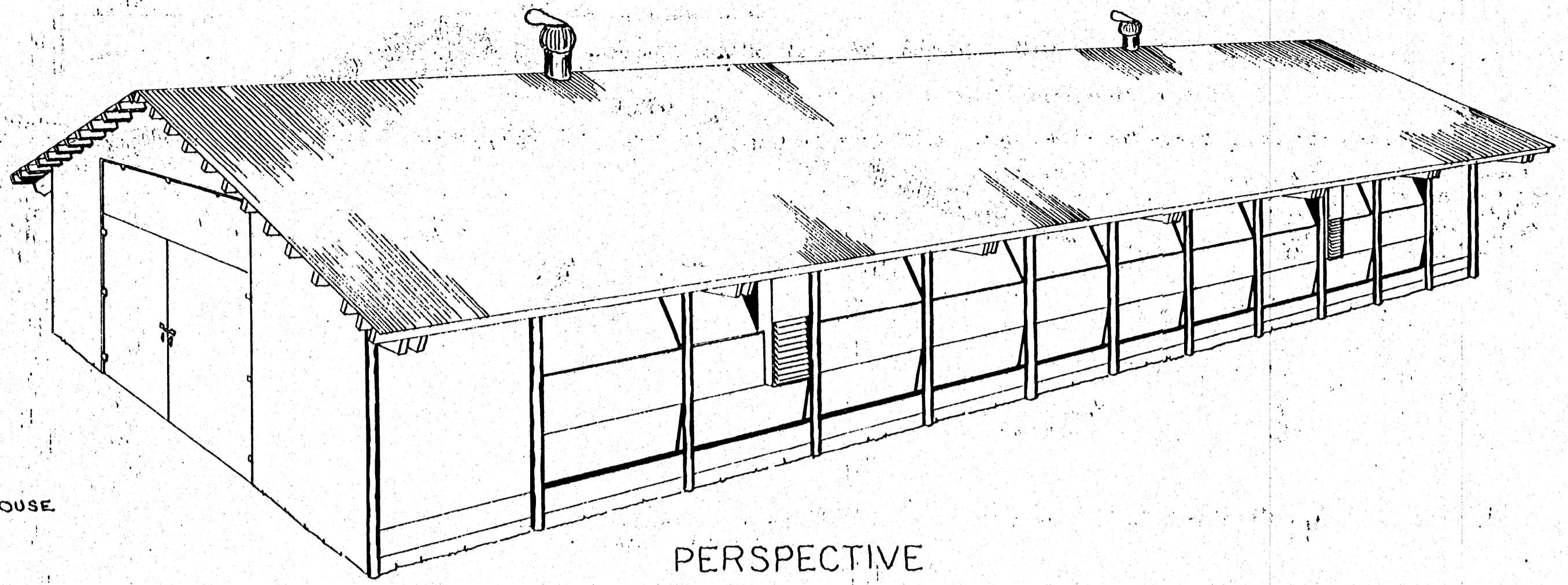


SECTION D-D
SCALE: 1/2" = 1'-0"



PERSPECTIVE

NOTES:

LENGTH OF BUILDING MAY BE VARIED IN UNITS OF 16 FEET.

ALL POSTS AND WOOD IN CONTACT WITH THE GROUND TO BE PRESSURE-TREATED WITH PRESERVATIVE TO A RETENTION OF 6 LBS PER CU. FT. EQUIP WITH AN ADEQUATE LIGHTNING PROTECTION SYSTEM WHERE NEEDED.

FRAMING AROUND FAN SHOULD BE CUT TO FIT SIZE OF FAN USED.

PANEL CONSTRUCTION - 2" x 4" FRAME COVERED ON BOTH SIDES WITH 3/8" EXTERIOR PLYWOOD. INSIDE OF PANEL TO HAVE A 4 TO 8 MIL POLYETHYLENE VAPOR BARRIER NEXT TO THE INSULATION.

VENTILATION REQUIREMENTS - WINTER:

1. CLOSE BOTTOM PANELS TIGHT
2. OPEN TOP PANELS TO ALLOW A CRACK ABOUT 1/2" WIDE.
3. CLOSE ALL VENTILATION PANELS ON SIDE WHERE FANS ARE LOCATED.

FAN OPERATES CONTINUOUSLY - CAPACITY 0.1 CFM PER BIRD.

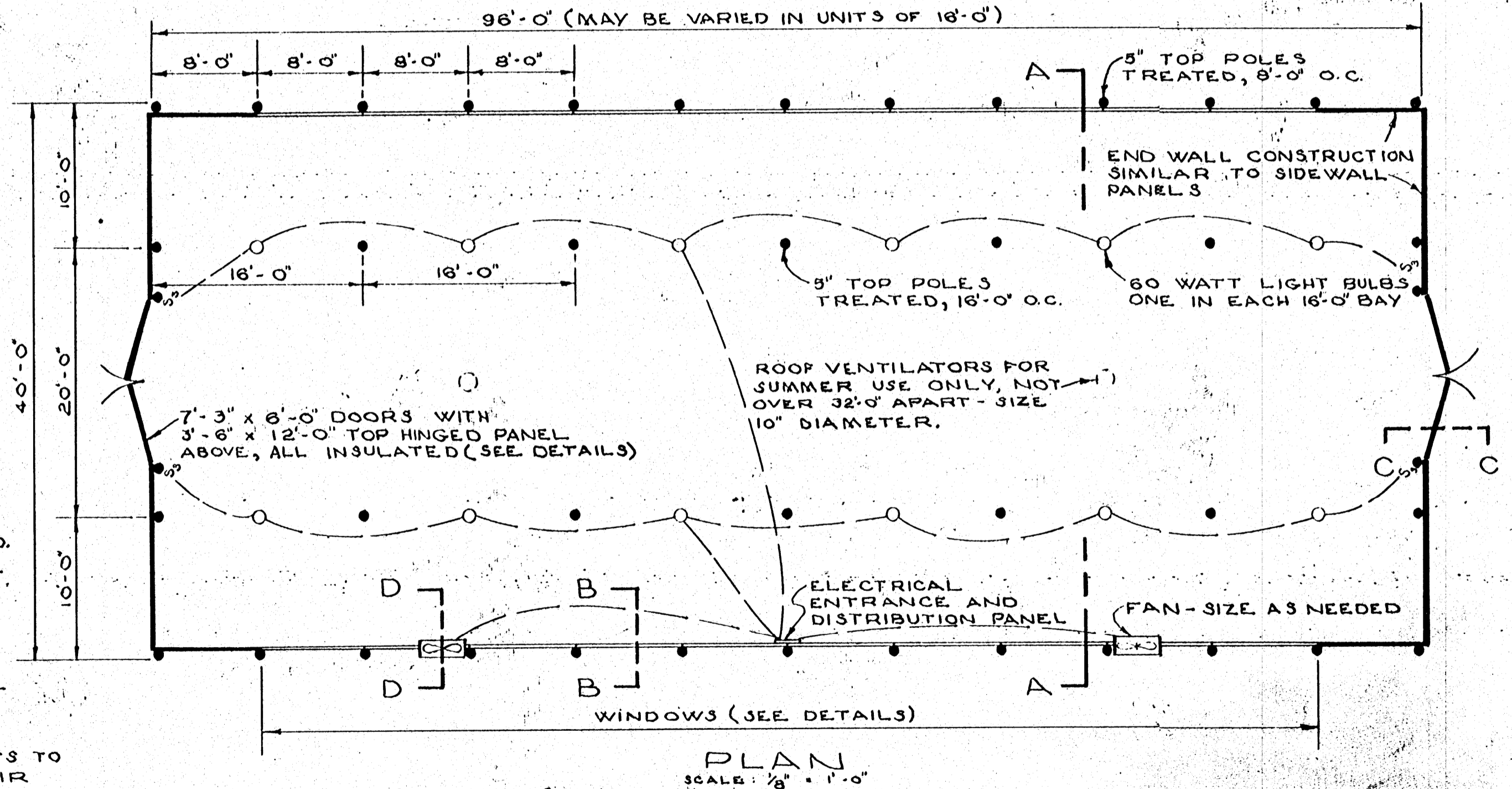
BALANCE OF VENTILATION PROVIDED BY LARGE FANS - CAPACITY 3 CFM PER BIRD. THESE FANS TO BE CONTROLLED BY HUMIDISTAT, THERMOSTAT, TIME CLOCK, OR A COMBINATION OF ANY OF THESE.

SUMMER:

1. OPEN SIDEWALL AND ROOF VENTS TO TAKE ADVANTAGE OF NATURAL AIR MOVEMENTS.
2. RELOCATE VENT FANS DOWN MIDDLE OF BUILDING TO STIR AIR.

LEGEND:

- S₃ - THREE-WAY SWITCH
- O - 60 WATT LAMP WITH REFLECTOR



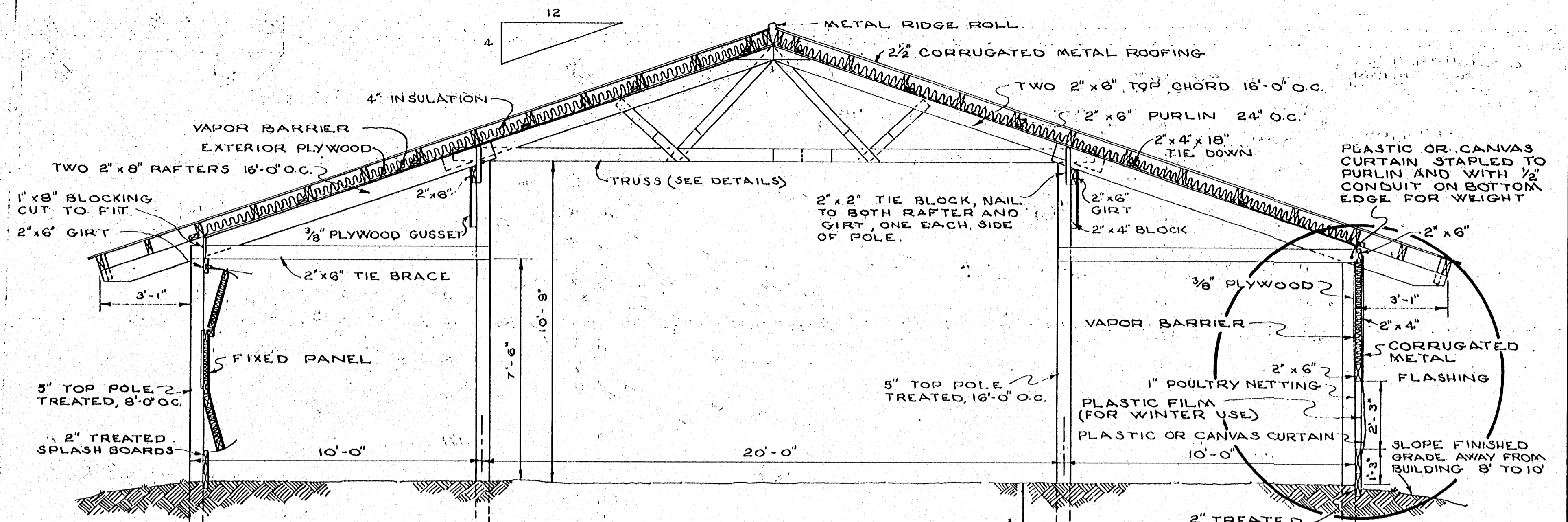
PLAN
SCALE: 1/8" = 1'-0"

WIRING REQUIREMENTS:

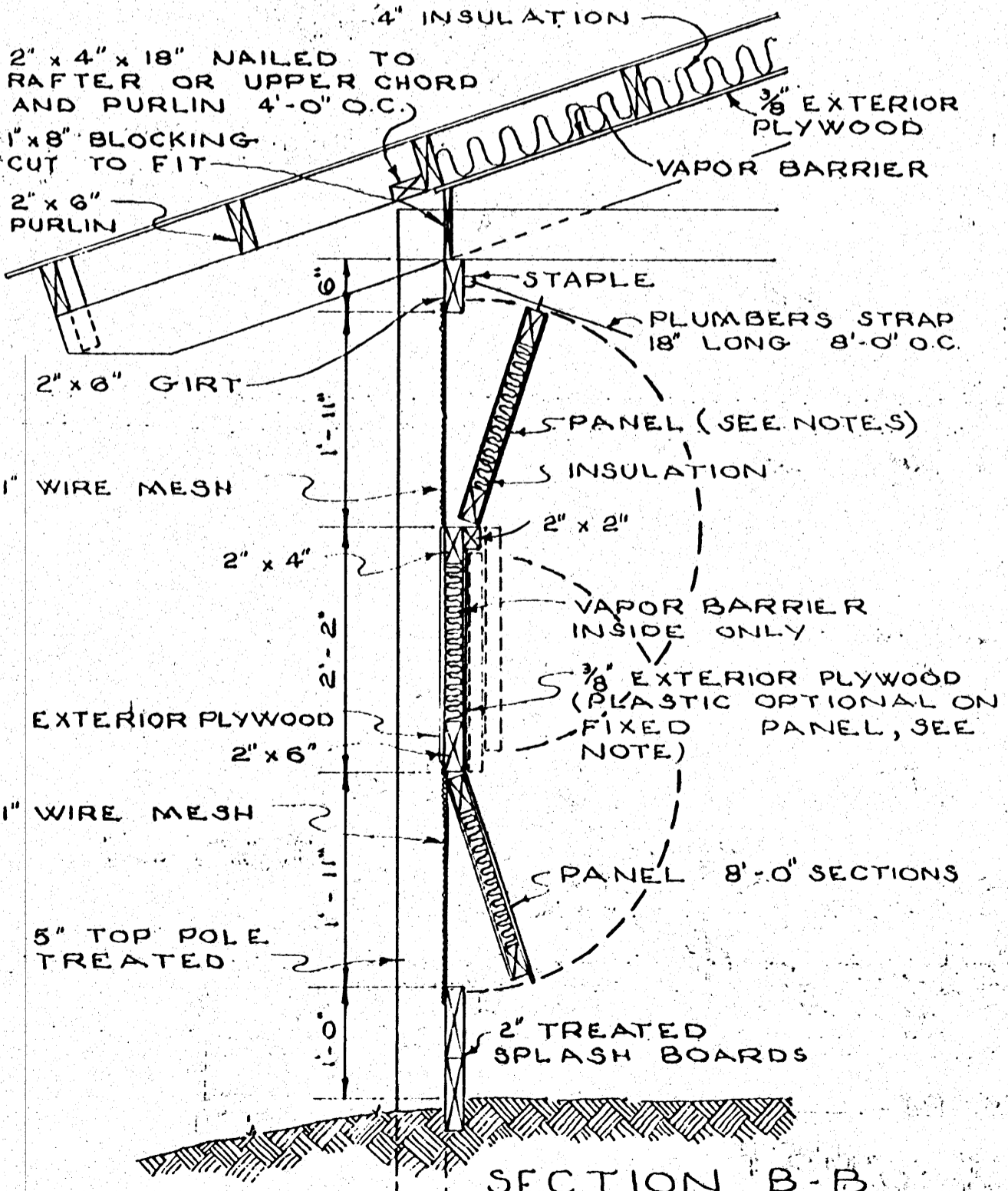
- 100 FT. CIRCUIT WITH 60 W. LAMPS EACH 16 FT. - 360 W. - NO. 12 WIRE
 - 150 FT. CIRCUIT WITH 60 W. LAMP EACH 16 FT. - 840 W. - NO. 12 WIRE
 - 200 FT. CIRCUIT WITH 60 W. LAMP EACH 16 FT. - 750 W. - NO. 10 WIRE
- FOR CIRCUITS OVER 200 FT, CONSULT ENGINEER OR POWER SUPPLIER.

LOCATE ENTRANCE EQUIPMENT AND DISTRIBUTION PANEL AT MIDDLE OF THE BUILDING WHEN LENGTH EXCEEDS 200 FEET.

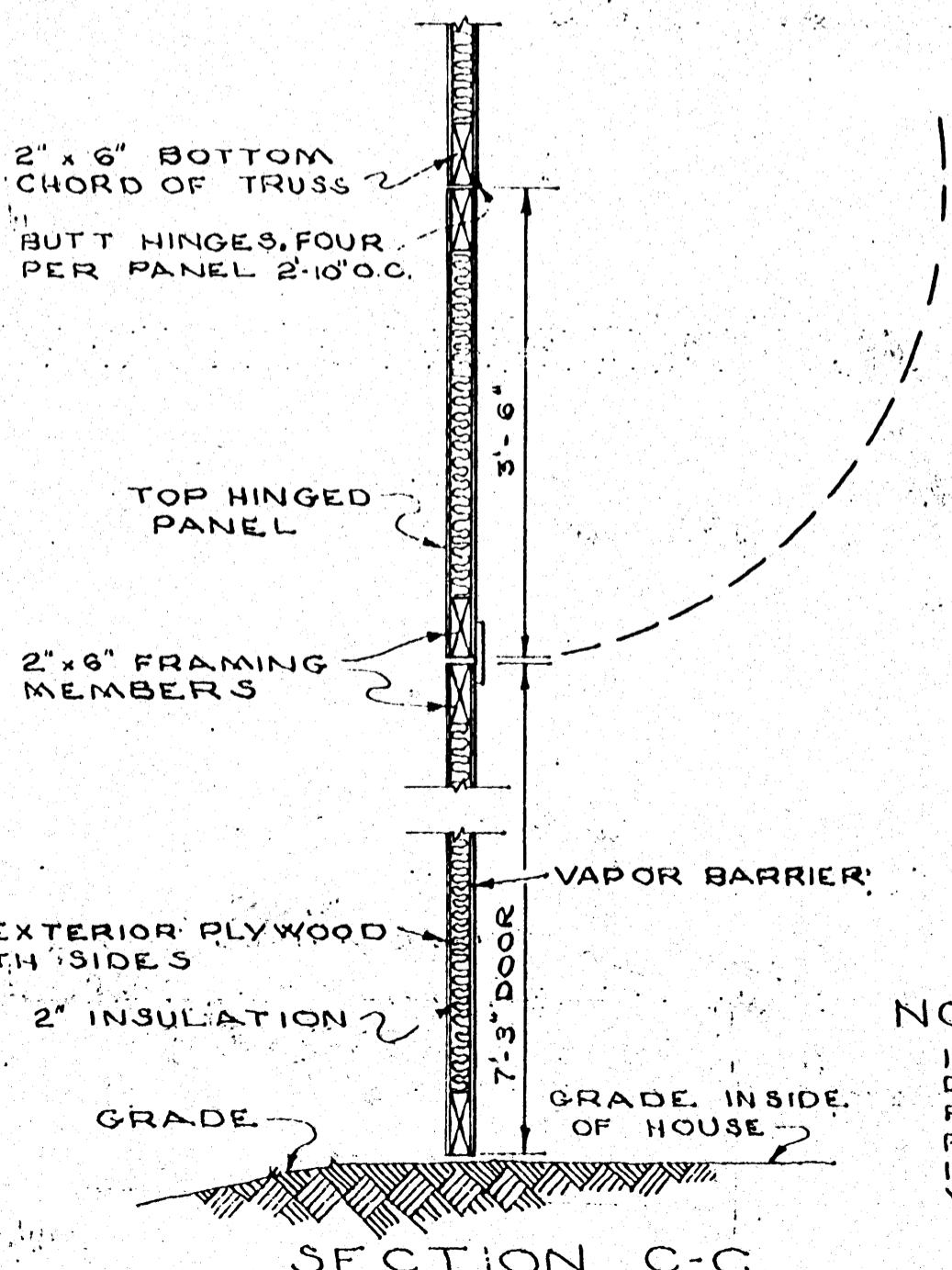
COOPERATIVE EXTENSION WORK IN AGRICULTURE AND HOME ECONOMICS STATE OF MISSISSIPPI		
MISSISSIPPI STATE UNIVERSITY		
AND UNITED STATES DEPARTMENT OF AGRICULTURE COOPERATING		
BROILER HOUSE 40 FT. WIDTH - POLE CONSTRUCTION		
ARK. '64	EX. 5972	SHEET 1 OF 3



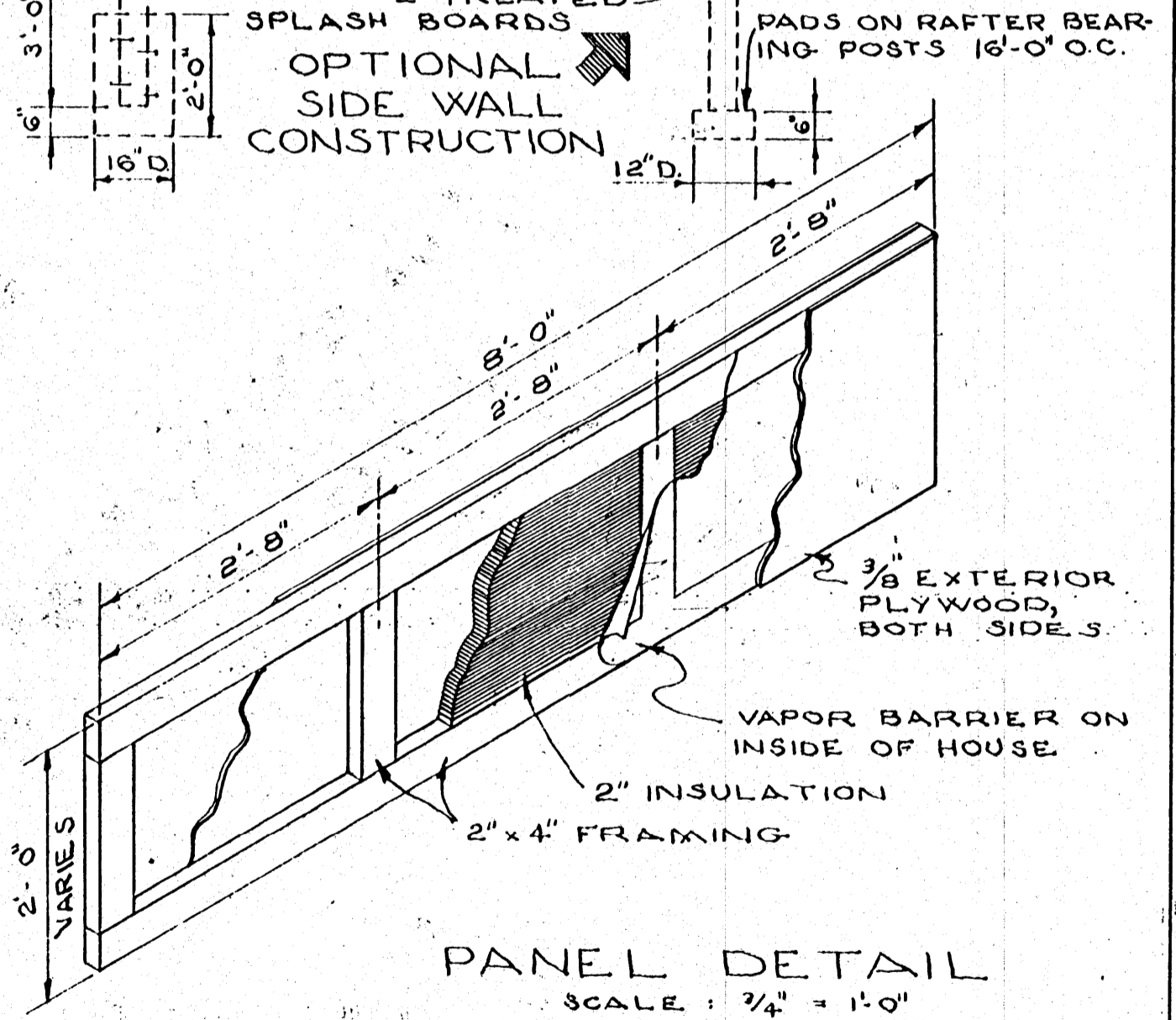
SECTION A-A
SCALE: 3/8" = 1'-0"



SECTION B-B
SCALE: 3/4" = 1'-0"



SECTION C-C
SCALE: 3/4" = 1'-0"



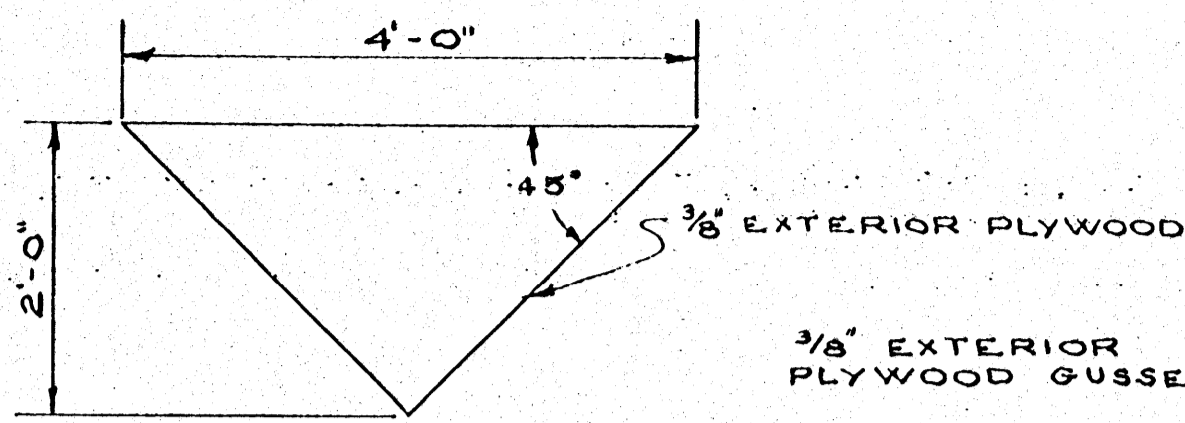
PANEL DETAIL
SCALE: 3/4" = 1'-0"

NOTE:
IF ADDITIONAL LIGHT IS DESIRED INSIDE OF HOUSE, REPLACE PLYWOOD WITH PLASTIC FILM AND OMIT INSULATION IN FIXED WALL PANEL.

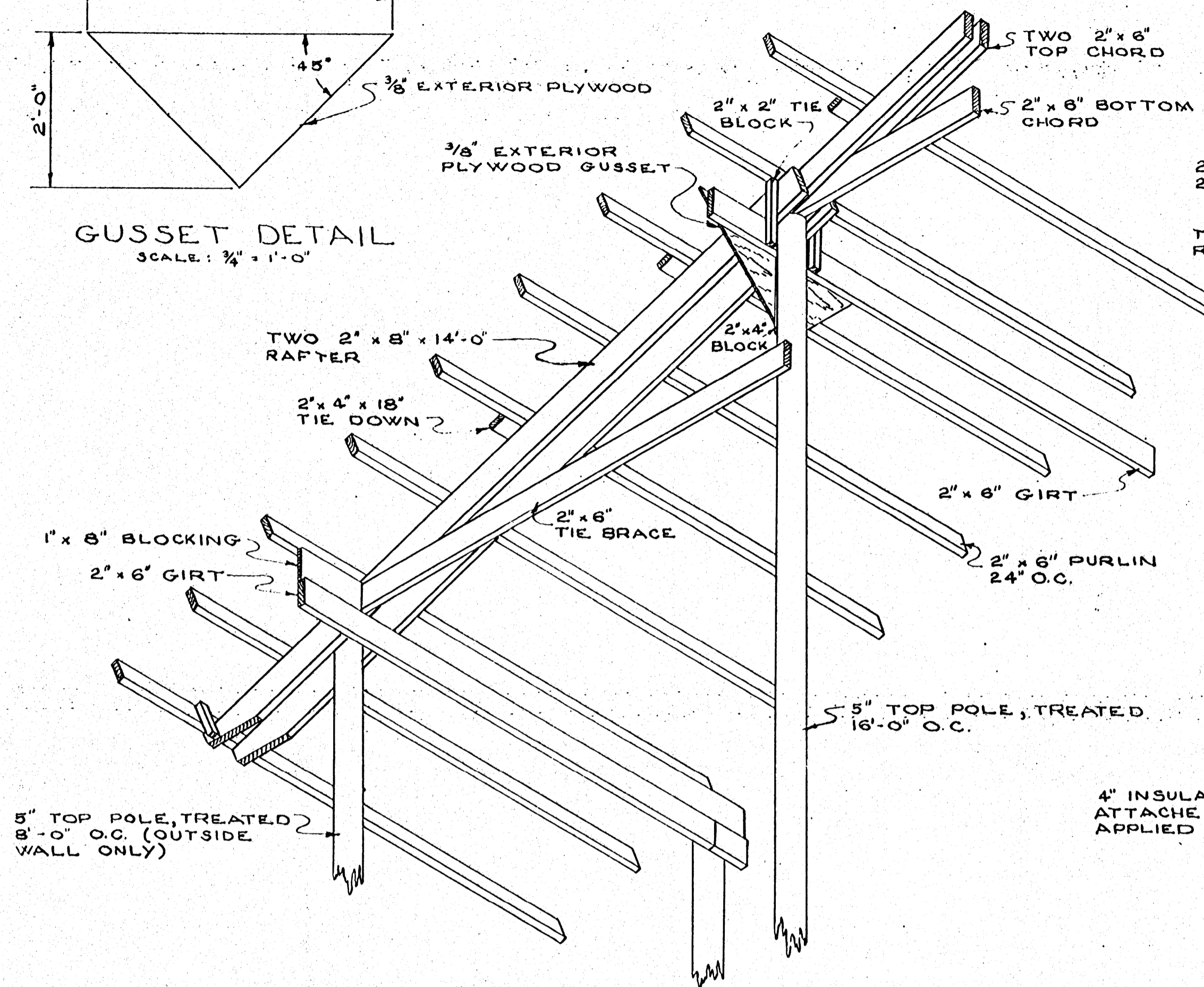
COOPERATIVE EXTENSION WORK IN AGRICULTURE AND HOME ECONOMICS
STATE OF MISSISSIPPI
MISSISSIPPI STATE UNIVERSITY
AND UNITED STATES DEPARTMENT OF AGRICULTURE COOPERATING

BROILER HOUSE
40 FT. WIDTH - POLE CONSTRUCTION

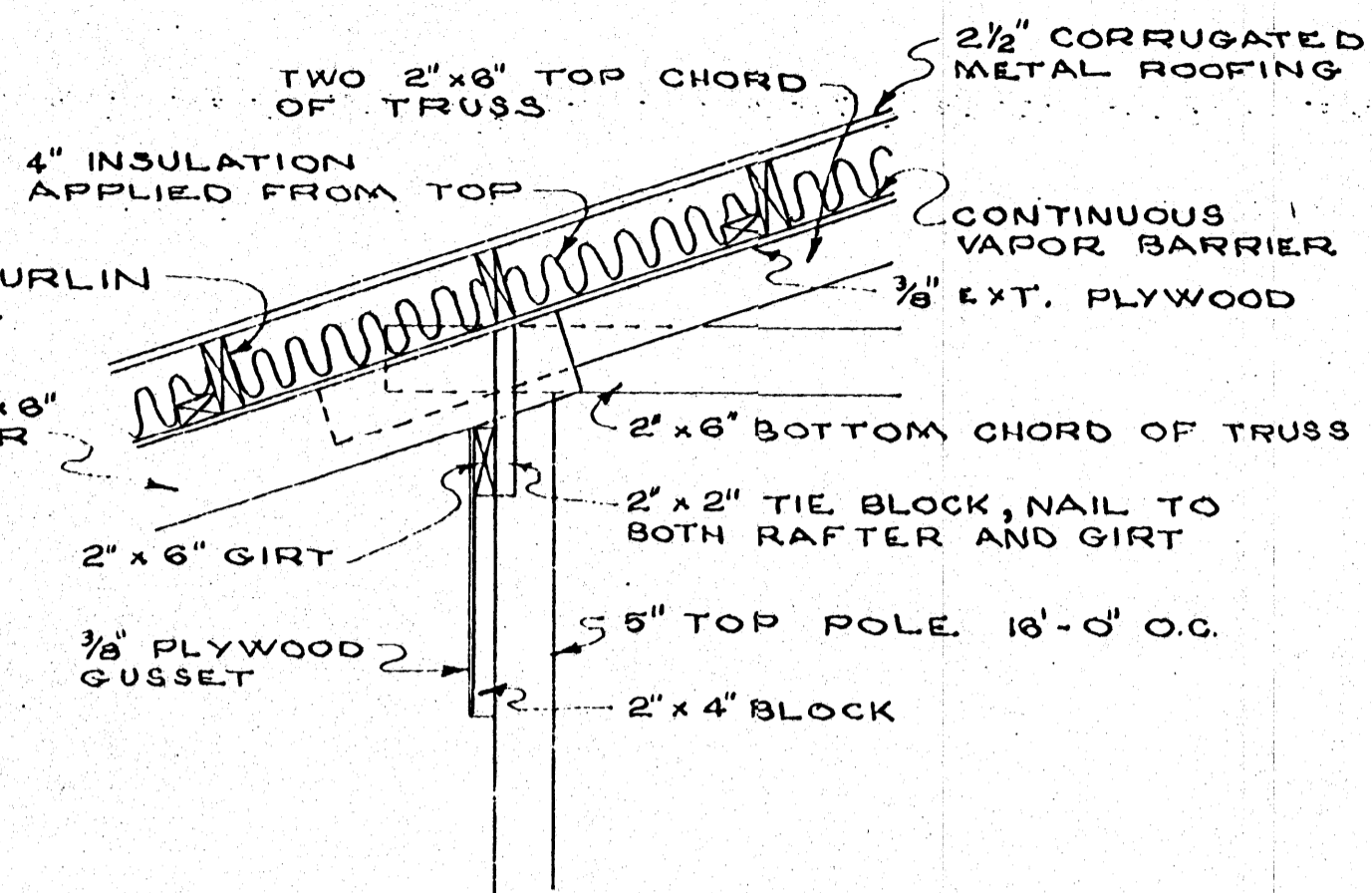
ARK. '64	EX. 5972	SHEET 2 OF 3
----------	----------	--------------



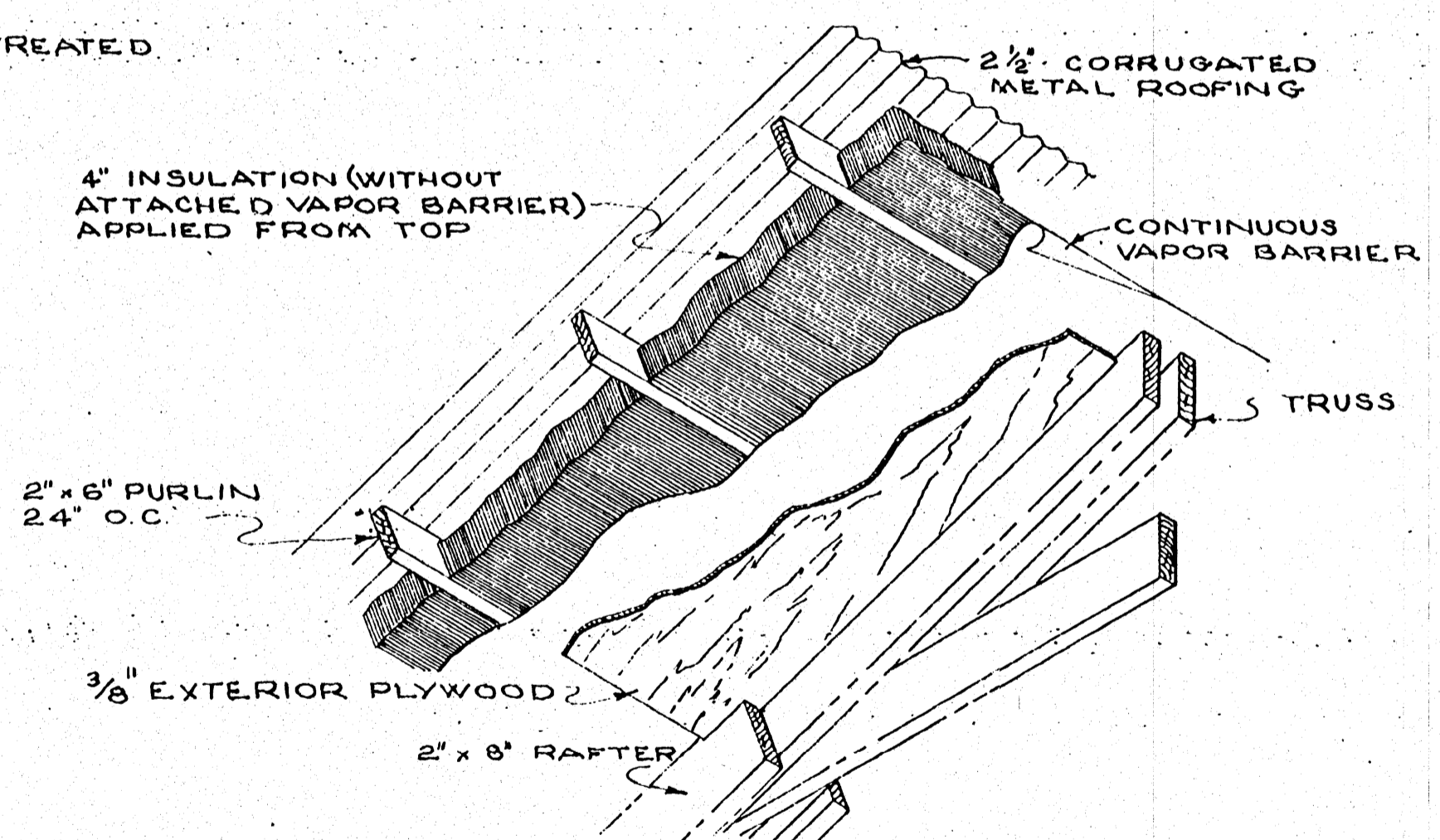
GUSSET DETAIL
SCALE: 3/4" = 1'-0"



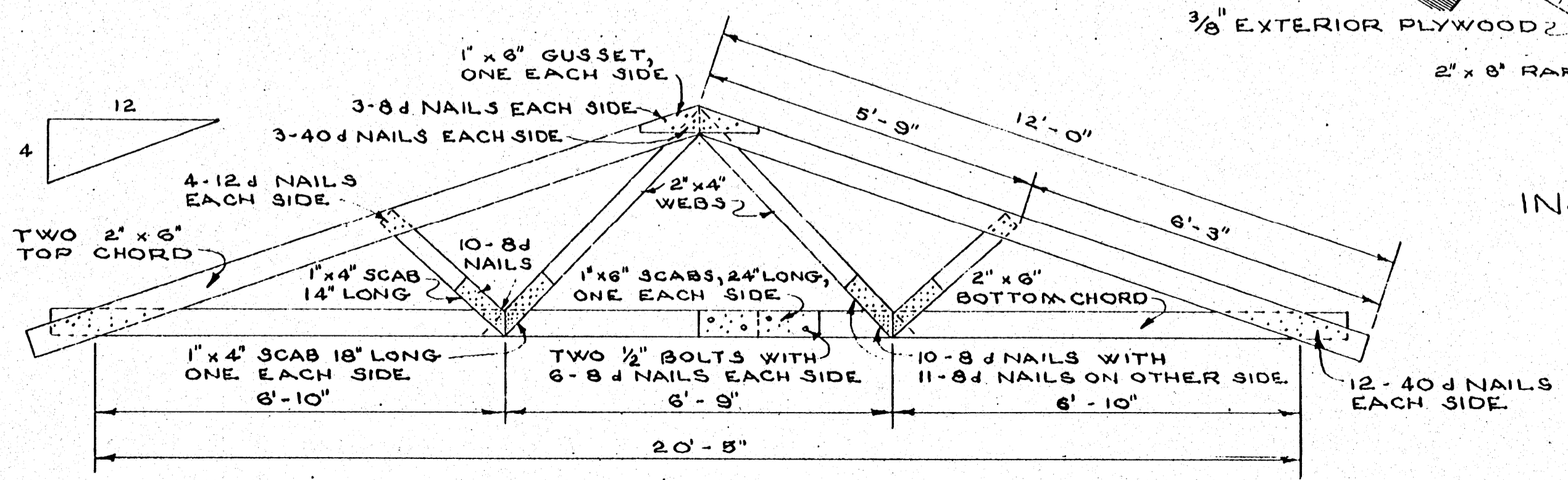
VIEW OF ROOF FRAMING
SCALE: 1/2" = 1'-0"



TRUSS-RAFTER CONNECTION
SCALE: 3/4" = 1'-0"



INSULATION DETAIL
SCALE: 3/4" = 1'-0"



TRUSS DETAIL
SCALE: 1/2" = 1'-0"

COOPERATIVE EXTENSION WORK IN AGRICULTURE AND HOME ECONOMICS		
STATE OF MISSISSIPPI		
MISSISSIPPI STATE UNIVERSITY		
AND UNITED STATES DEPARTMENT OF AGRICULTURE COOPERATING		
BROILER HOUSE		
40 FT. WIDTH · POLE CONSTRUCTION		
ARK. '64	EX. 5972	SHEET 3 OF 3