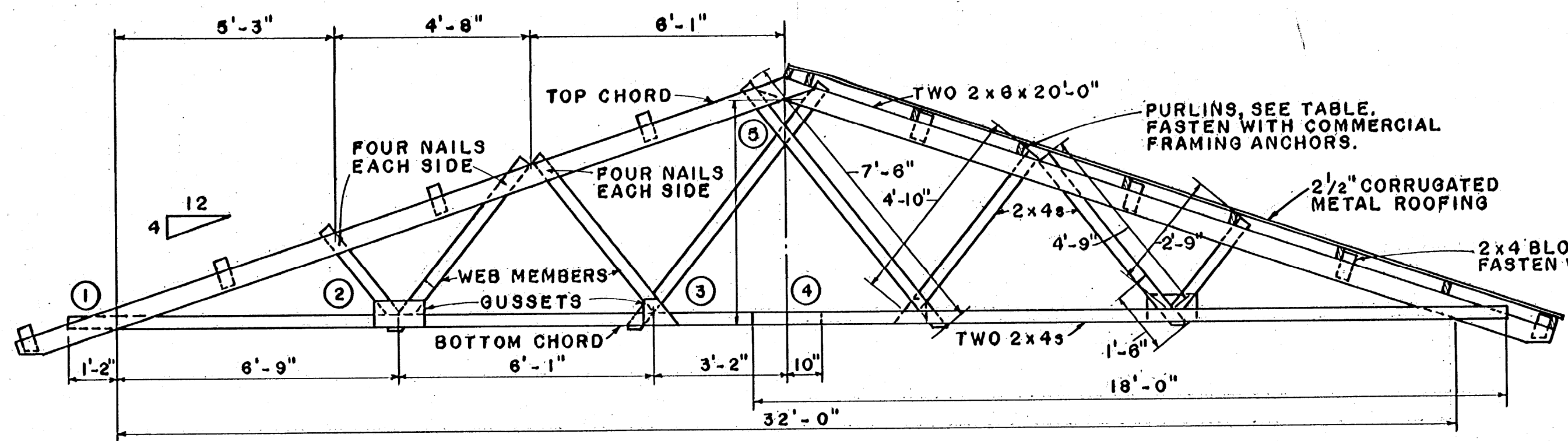
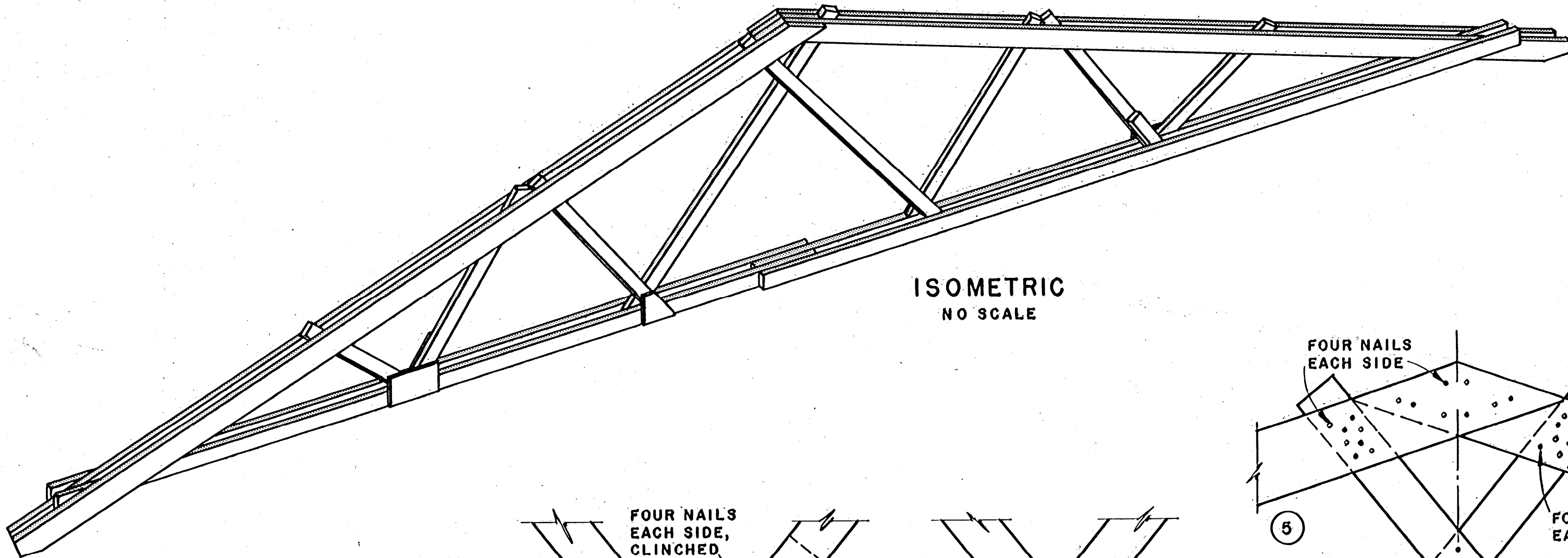


WHERE SNOW OR WIND LOAD WILL NOT EXCEED	TRUSSES MAY BE SPACED UP TO	PURLINS MAY BE SPACED UP TO
18 LBS., PER SQ.FT.	12'-0" o.c.	2 x 4 1'-3"
22 " " " "	10'-0" o.c.	2 x 4 1'-6"
27 " " " "	8'-0" o.c.	2 x 4 2'-0"
36 " " " "	6'-0" o.c.	2 x 4 2'-6"
43 " " " "	5'-0" o.c.	2 x 4 1'-6"*
54 " " " "	4'-0" o.c.	2 x 4 2'-4"*

* LAID FLAT



ELEVATION
SCALE: 3/8" = 1'-0"



ISOMETRIC
NO SCALE

THIS TRUSS IS DESIGNED TO SUPPORT LOADS UP TO 200 LBS. PER FOOT OF SPAN INCLUDING THE WEIGHT OF THE ROOF.

ALL LUMBER SHALL BE STRESS GRADED TO PROVIDE 1500 PSI FIBER STRESS IN BENDING AND 1360 PSI IN COMPRESSION.

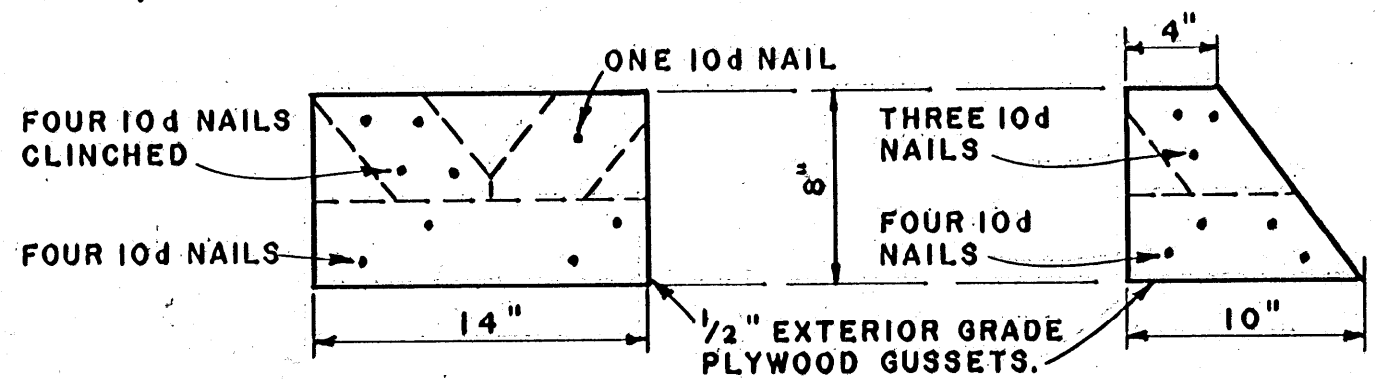
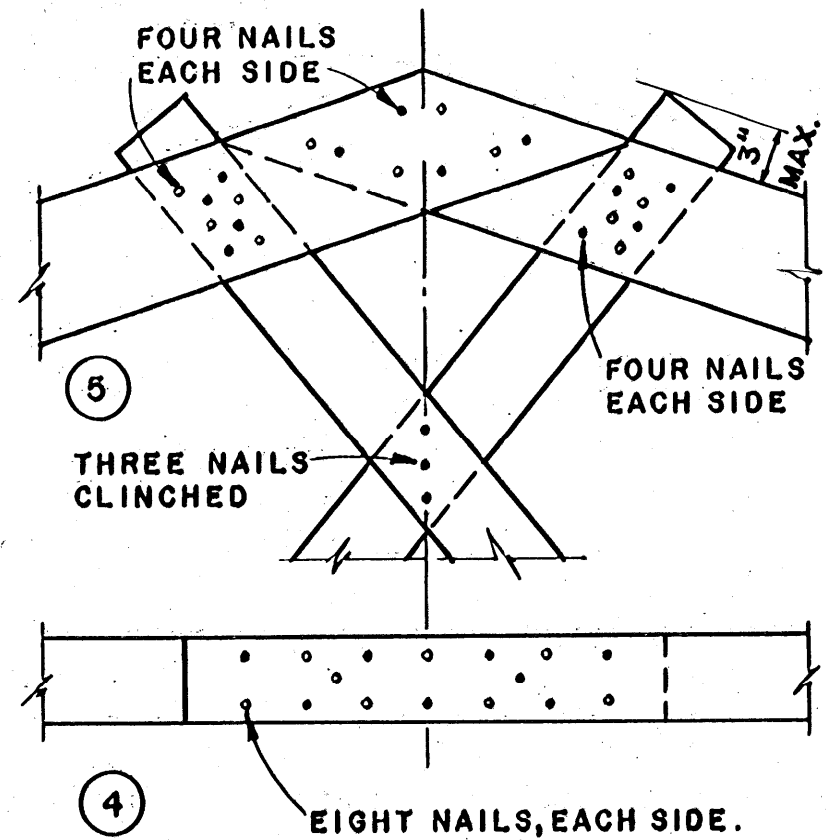
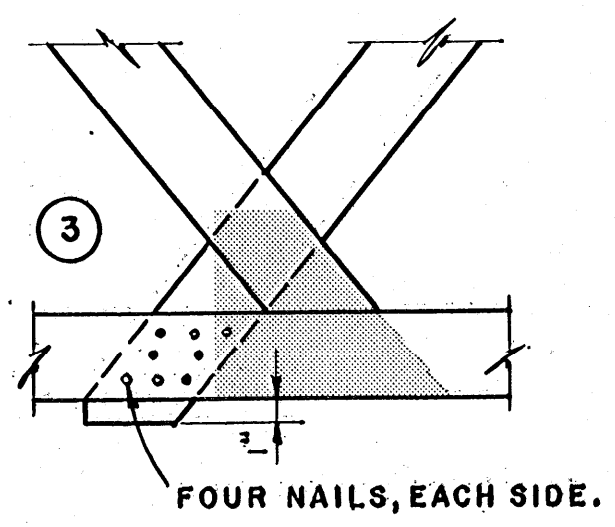
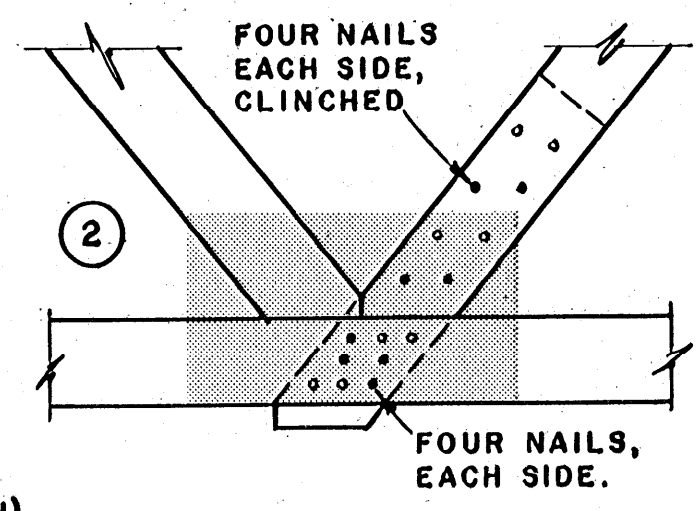
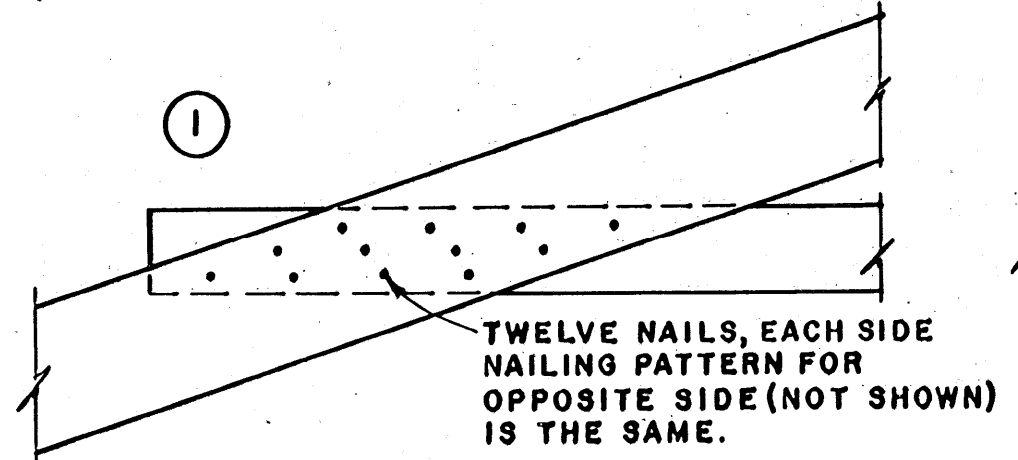
MATERIALS FOR ONE TRUSS:

TOP CHORD	4 PCS.	2 x 6 x 20'-0"
BOTTOM CHORD	4 PCS.	2 x 4 x 18'-0"
WEB MEMBERS AND BLOCKING	1 PC.	2 x 4 x 16'-0"
	2 PCS.	2 x 4 x 14'-0"
	1 PC.	2 x 4 x 8'-0"

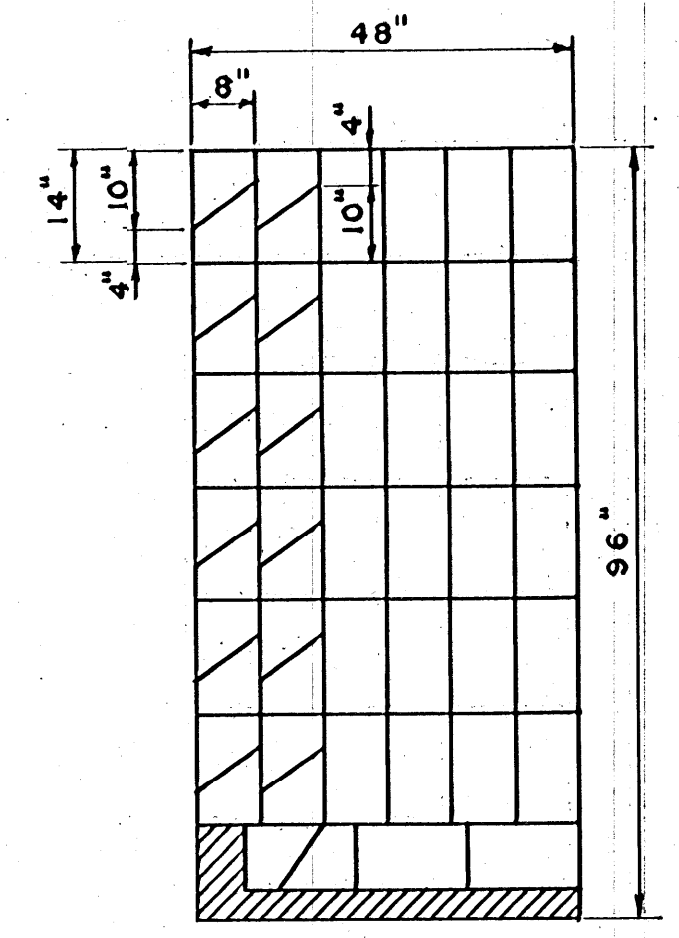
ONE 48"x96" PLYWOOD PANEL WILL PROVIDE GUSSETS FOR 13 TRUSSES.

NAILS 7 LBS. 20d COMMON
1 LB. 10d COMMON

TRUSSES SHOULD BE SECURELY ANCHORED TO THE SUPPORTING STRUCTURE.



JOINT DETAILS
SCALE: 1/2" = 1'-0"



CUTTING DIAGRAM FOR GUSSETS

ALL NAILS TO BE 20d COMMON, EXCEPT AS NOTED.
 • = NAILS DRIVEN FROM THE NEAR SIDE OF THE TRUSS.
 ○ = NAILS DRIVEN FROM THE FAR SIDE FOR LEFT END OF TRUSS AS DETAILED.
 NOTE THAT NAILING PATTERNS ARE REVERSED FOR RIGHT END OF TRUSS.
 ALL PROJECTING NAILS TO BE CLINCHED.

COOPERATIVE EXTENSION WORK IN AGRICULTURE AND HOME ECONOMICS
 STATE OF MISSISSIPPI
 MISSISSIPPI STATE UNIVERSITY
 AND UNITED STATES DEPARTMENT OF AGRICULTURE COOPERATING

32 FT. UTILITY TRUSS
 4/12 SLOPE LAP-NAILED CONSTRUCTION

USDA '64	EX. 5973	SHEET 1 OF 1
----------	----------	--------------