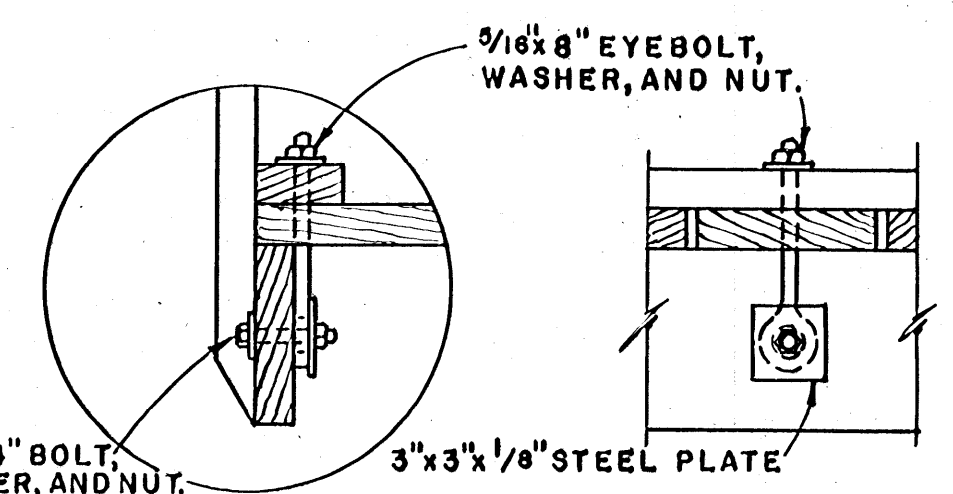
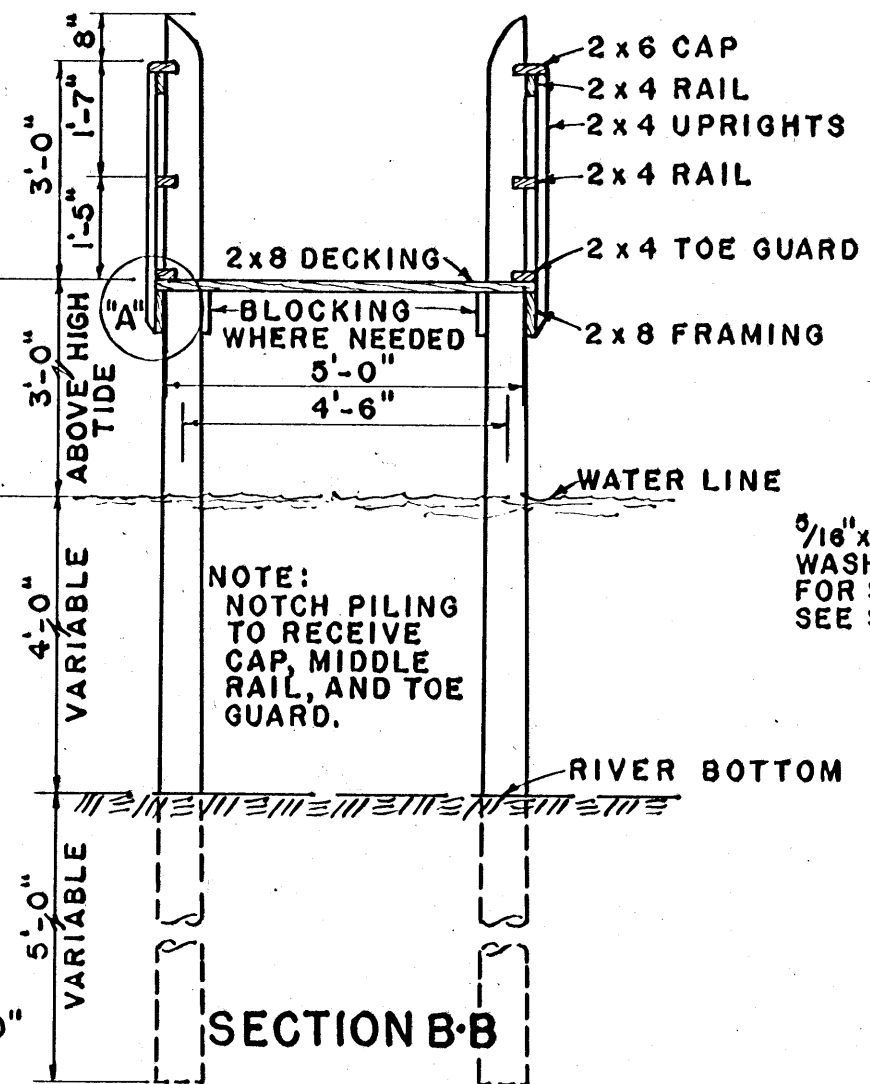
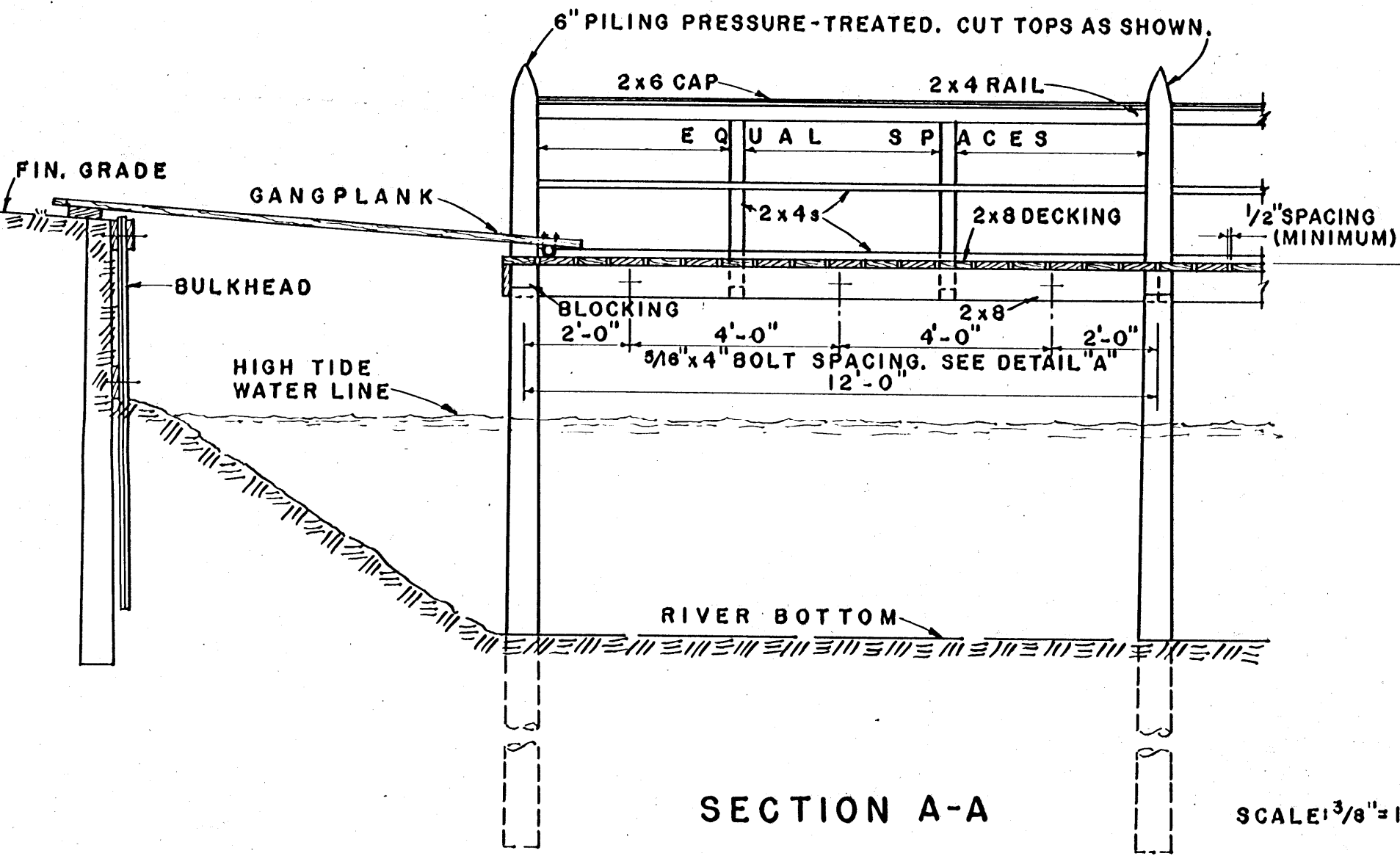
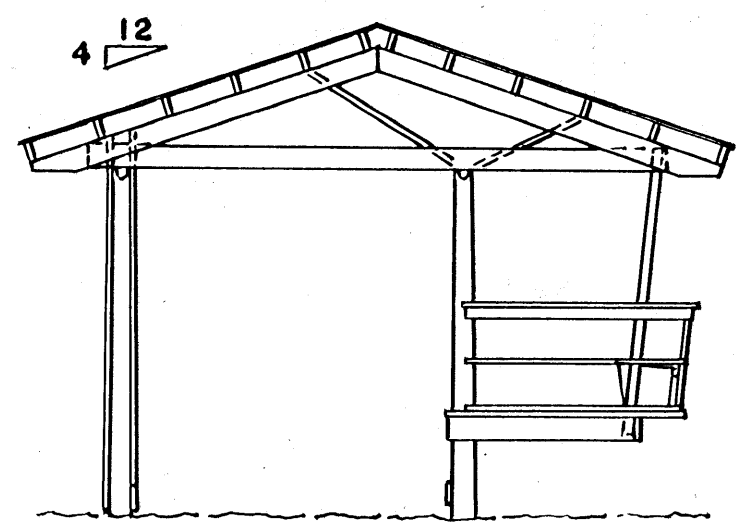


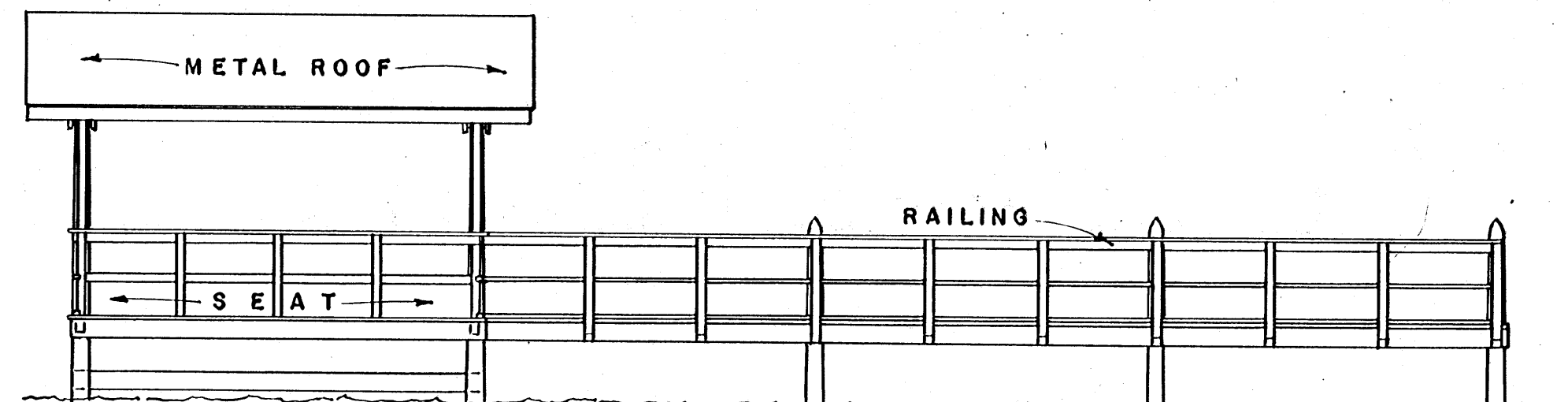
**PERSPECTIVE**  
(BULKHEAD AND GANGPLANK NOT SHOWN)



**NOTES:**  
FOR WAVES NOT EXCEEDING CRESTS OF 3 FEET.  
FOR WINDS NOT EXCEEDING 110 M.P.H.  
FOR TEMPERATURES THAT PRECLUDES MASSIVE ICE FLOES IN THE SPRING.  
PRESSURE TREATED WOOD SHOULD RETAIN THE EQUIVALENT OF 8 LBS. OF CREOSOTE PER CU. FT.  
ALL METAL FASTENERS TO BE GALVANIZED.  
DESIGN BENDING FIBER STRESS:  
RAFTERS.....1200 LBS. PER SQ. IN.  
MULTIPLE MEMBERS.....1400 " " " "  
PILING.....4500 " " " "



**ELEVATION "A"**



SCALE: 3/16" = 1'-0"

**ELEVATION "B"**

COOPERATIVE EXTENSION WORK IN  
AGRICULTURE AND HOME ECONOMICS  
STATE OF MISSISSIPPI  
MISSISSIPPI STATE UNIVERSITY  
AND  
UNITED STATES DEPARTMENT OF AGRICULTURE COOPERATING

**BOAT LANDING**

