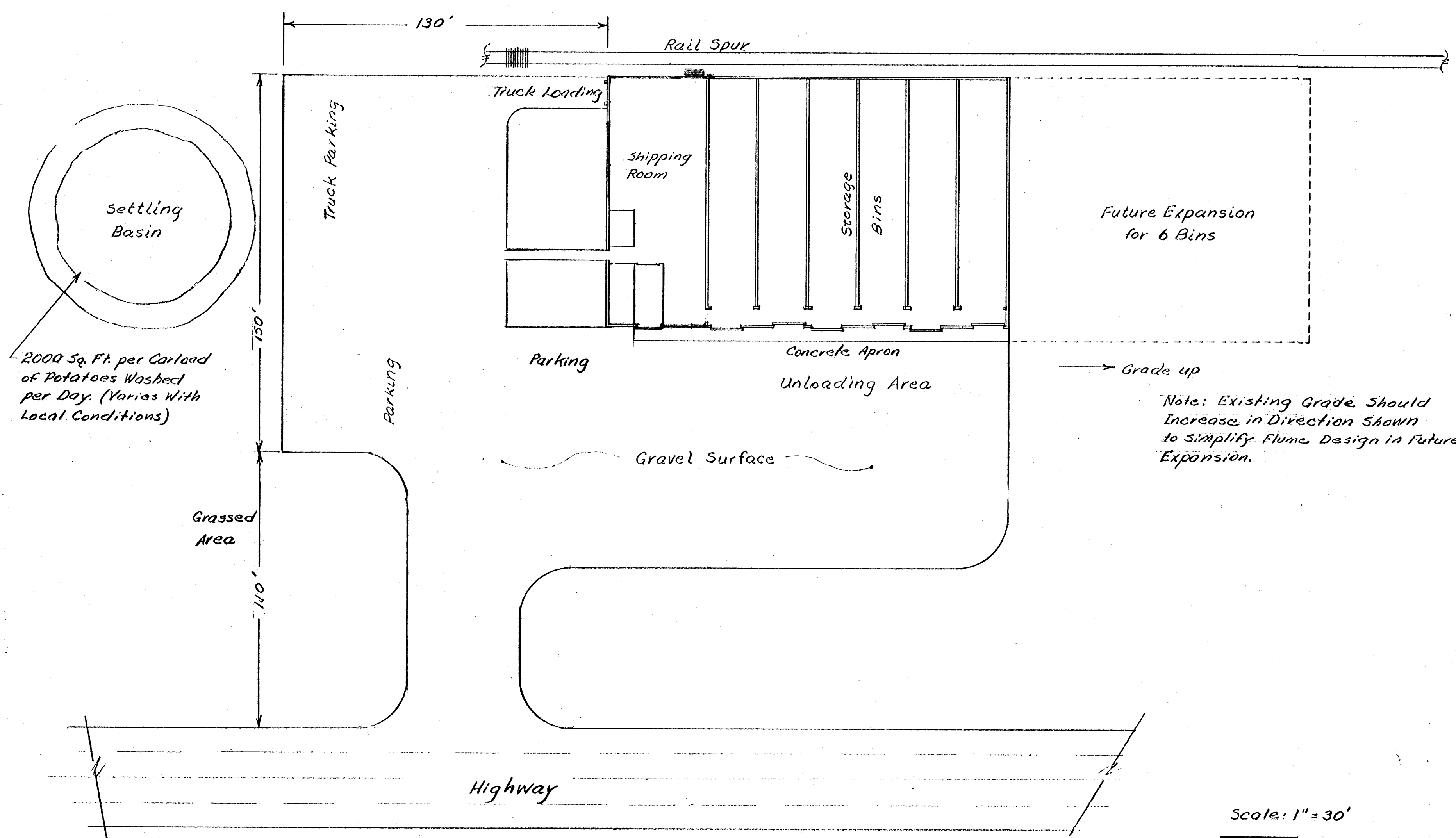


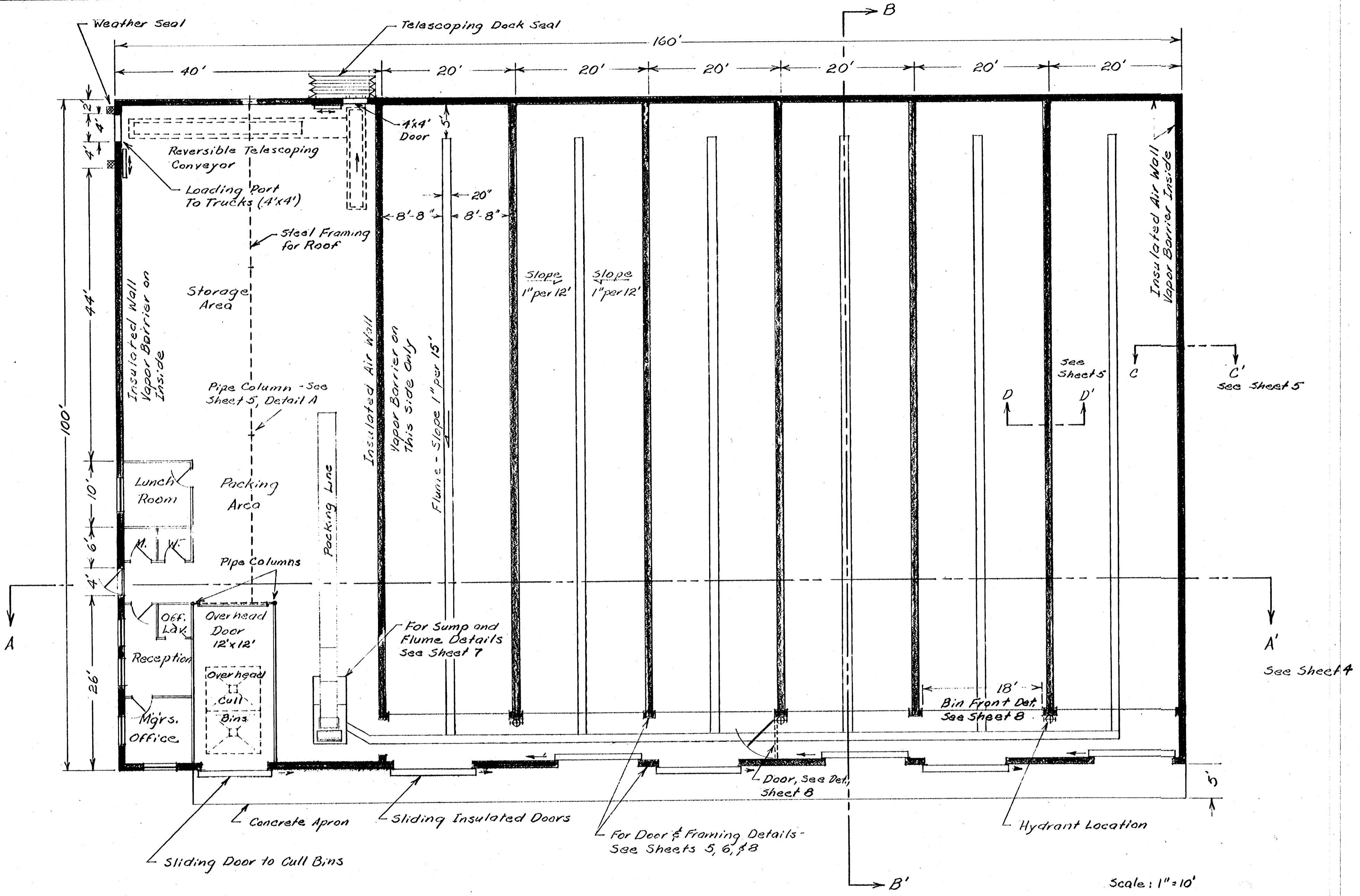
COOPERATIVE EXTENSION WORK IN
AGRICULTURE AND HOME ECONOMICS
STATE OF MISSISSIPPI
MISSISSIPPI STATE UNIVERSITY
AND
UNITED STATES DEPARTMENT OF AGRICULTURE COOPERATING
POTATO STORAGE
60,000 CWT. DOOR-PER-BIN
ARS - TFRD | EX. 5979 | SHEET 1 OF 12
PERSPECTIVE



Note: Existing Grade Should Increase in Direction Shown to Simplify Flume Design in Future Expansion.

Scale: 1" = 30'

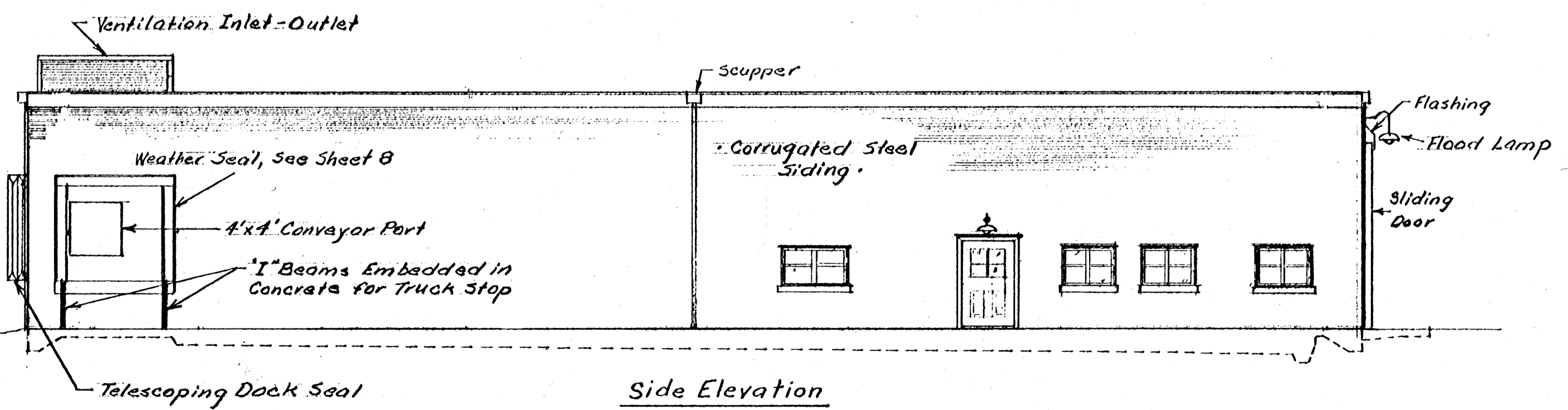
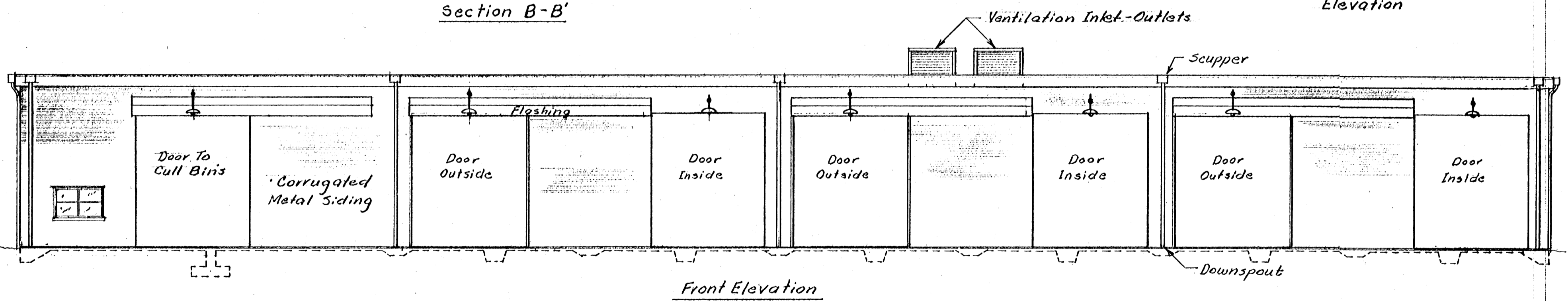
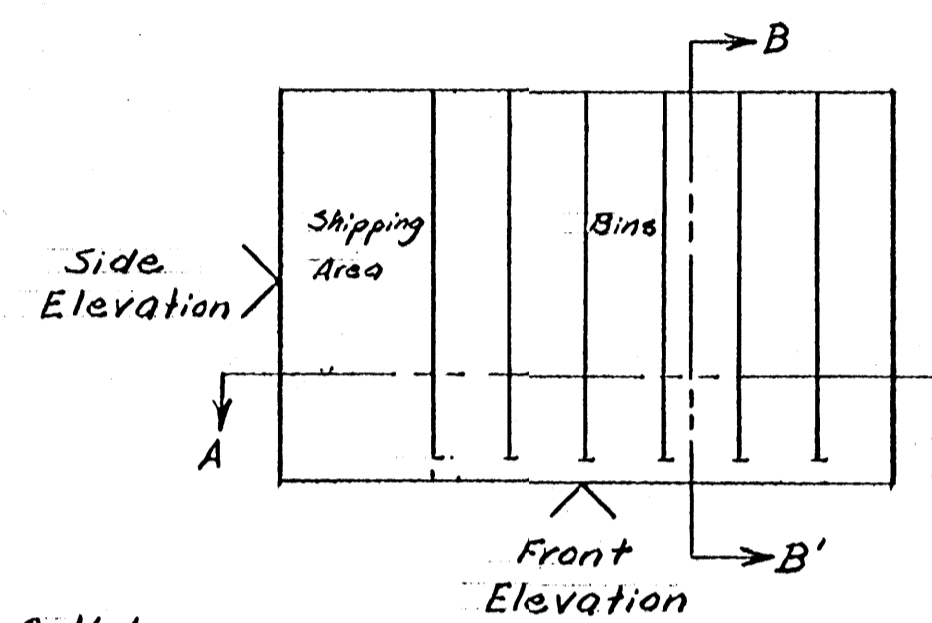
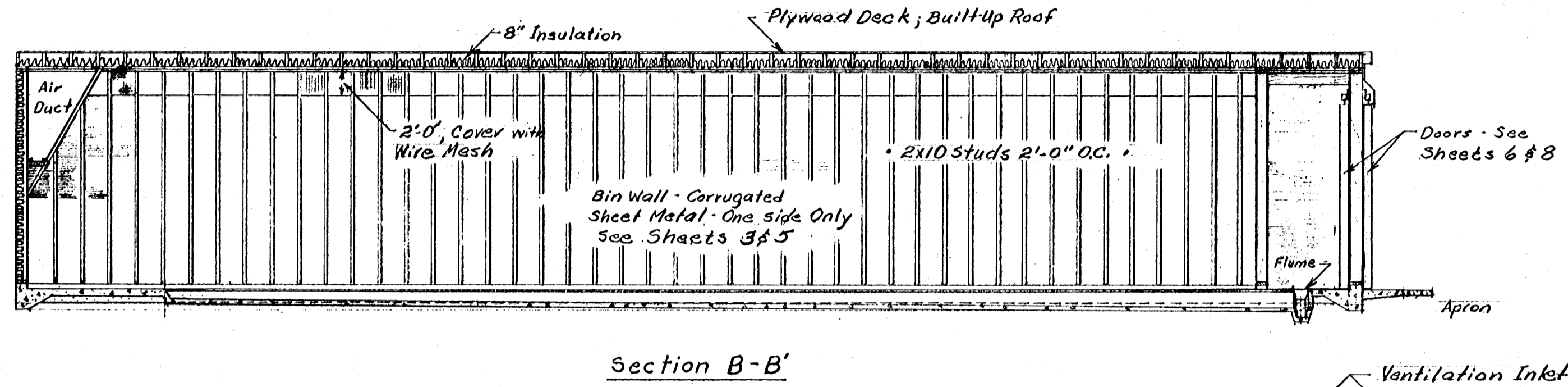
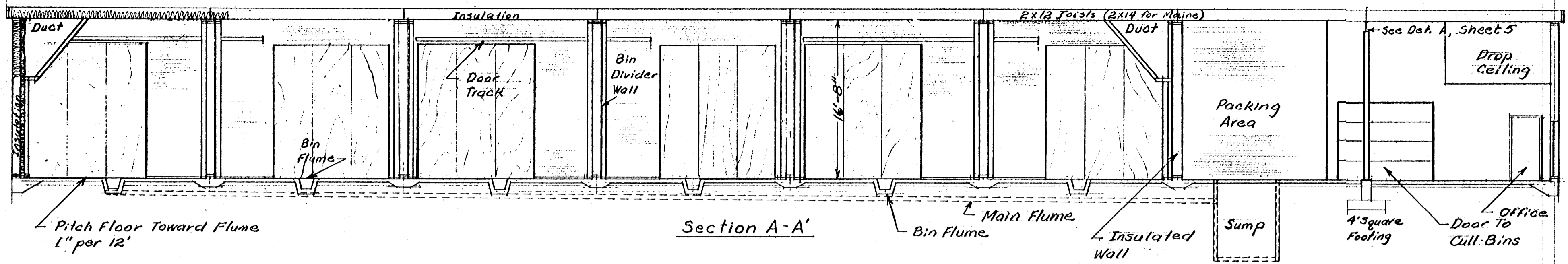
COOPERATIVE EXTENSION WORK IN AGRICULTURE AND HOME ECONOMICS STATE OF MISSISSIPPI MISSISSIPPI STATE UNIVERSITY AND UNITED STATES DEPARTMENT OF AGRICULTURE COOPERATING		
POTATO STORAGE 60,000 CWT. DOOR-PER-BIN		
ARS-TRFD	EX. 5979	SHEET 2 OF 12
SITE PLAN		



Notes: 1. Walls between bins are not insulated. See Section D-D', Sheet 5

Scale: 1"=10'

COOPERATIVE EXTENSION WORK IN AGRICULTURE AND HOME ECONOMICS		
STATE OF MISSISSIPPI		
MISSISSIPPI STATE UNIVERSITY		
AND UNITED STATES DEPARTMENT OF AGRICULTURE COOPERATING		
POTATO STORAGE		
60,000 CWT. DOOR-PER-BIN		
ARS-TFRD	EX. 5979	SHEET 3 OF 12
LAYOUT		



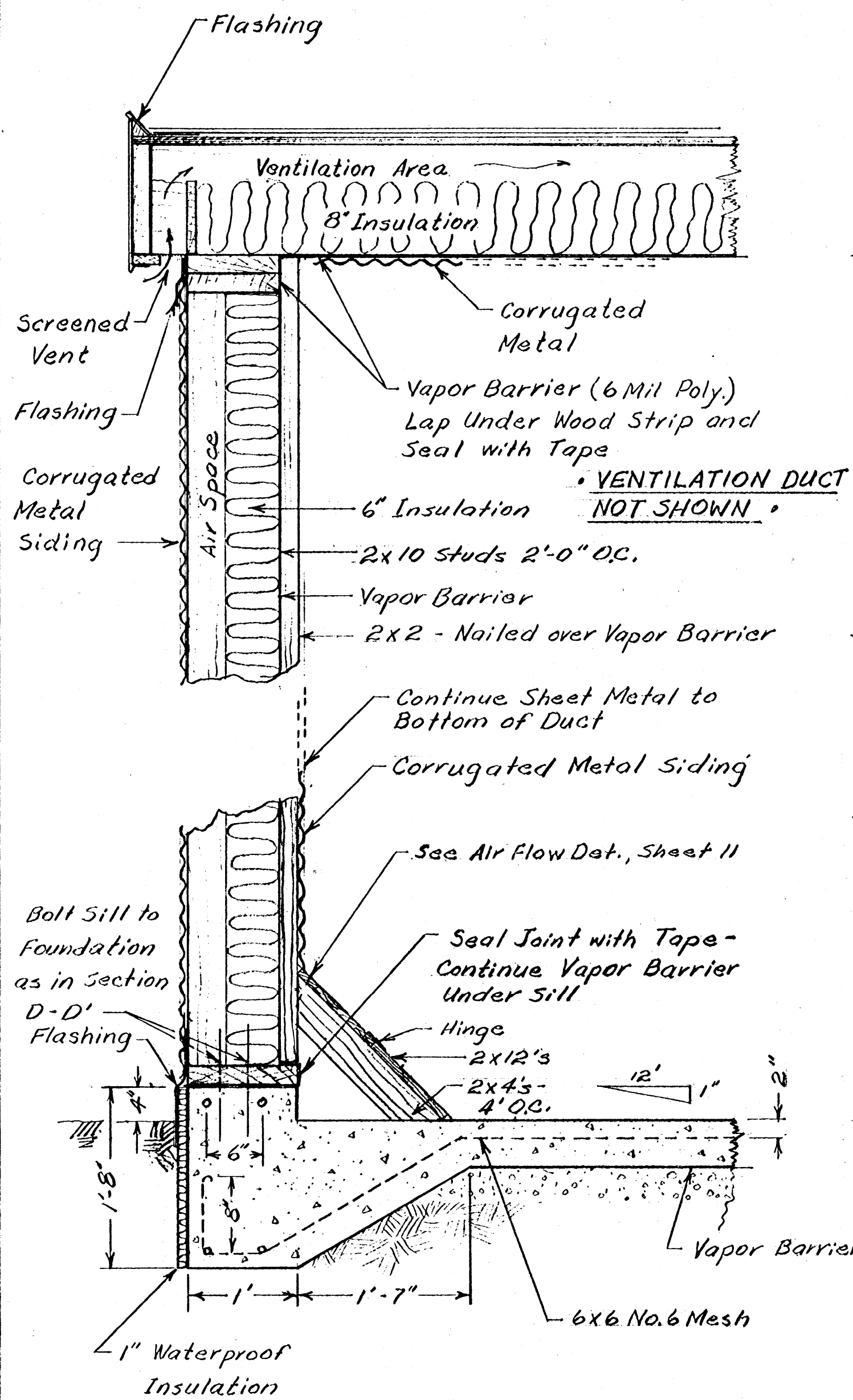
Scale: $\frac{1}{8}'' = 1'$

COOPERATIVE EXTENSION WORK IN
 AGRICULTURE AND HOME ECONOMICS
 STATE OF MISSISSIPPI
 MISSISSIPPI STATE UNIVERSITY
 AND
 UNITED STATES DEPARTMENT OF AGRICULTURE COOPERATING

POTATO STORAGE
 60,000 CWT. DOOR-PER-BIN

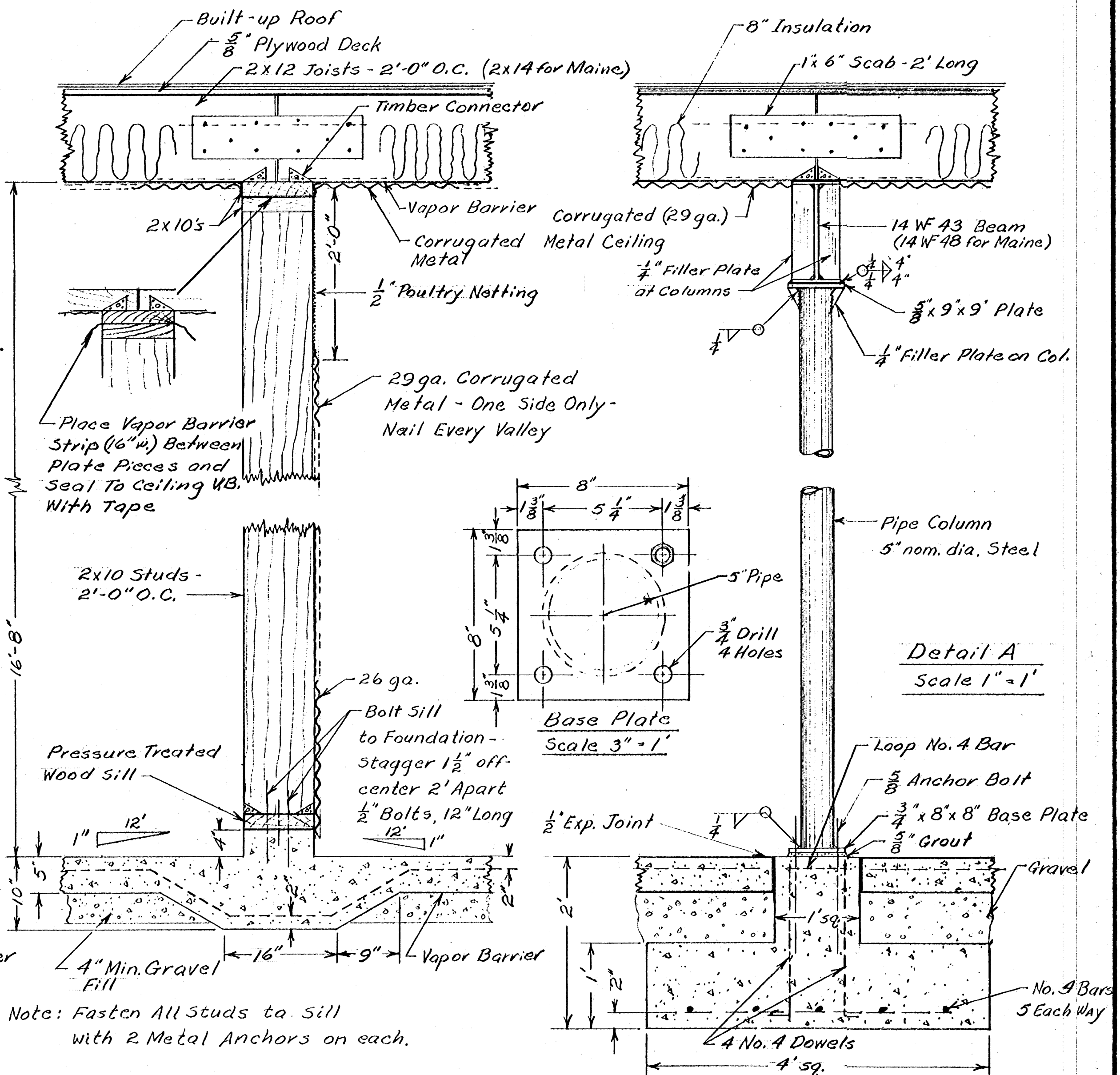
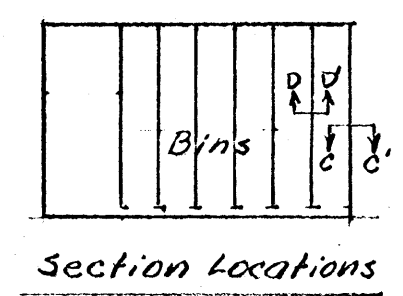
ARS-TFRD EX. 5979 SHEET 4 OF 12

ELEVATIONS & SECTIONS



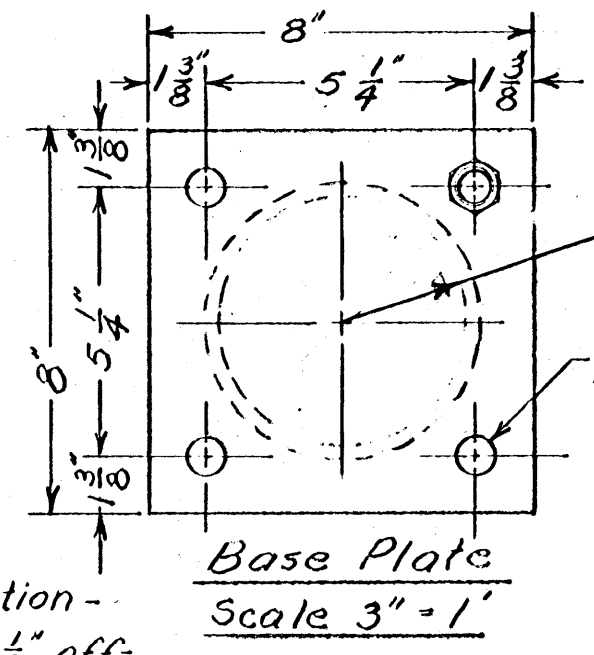
Typical Air Wall
Section C-C'
scale 1" = 1'

Caution: Many Areas Cannot Use "Floating" Slab Foundation Shown.



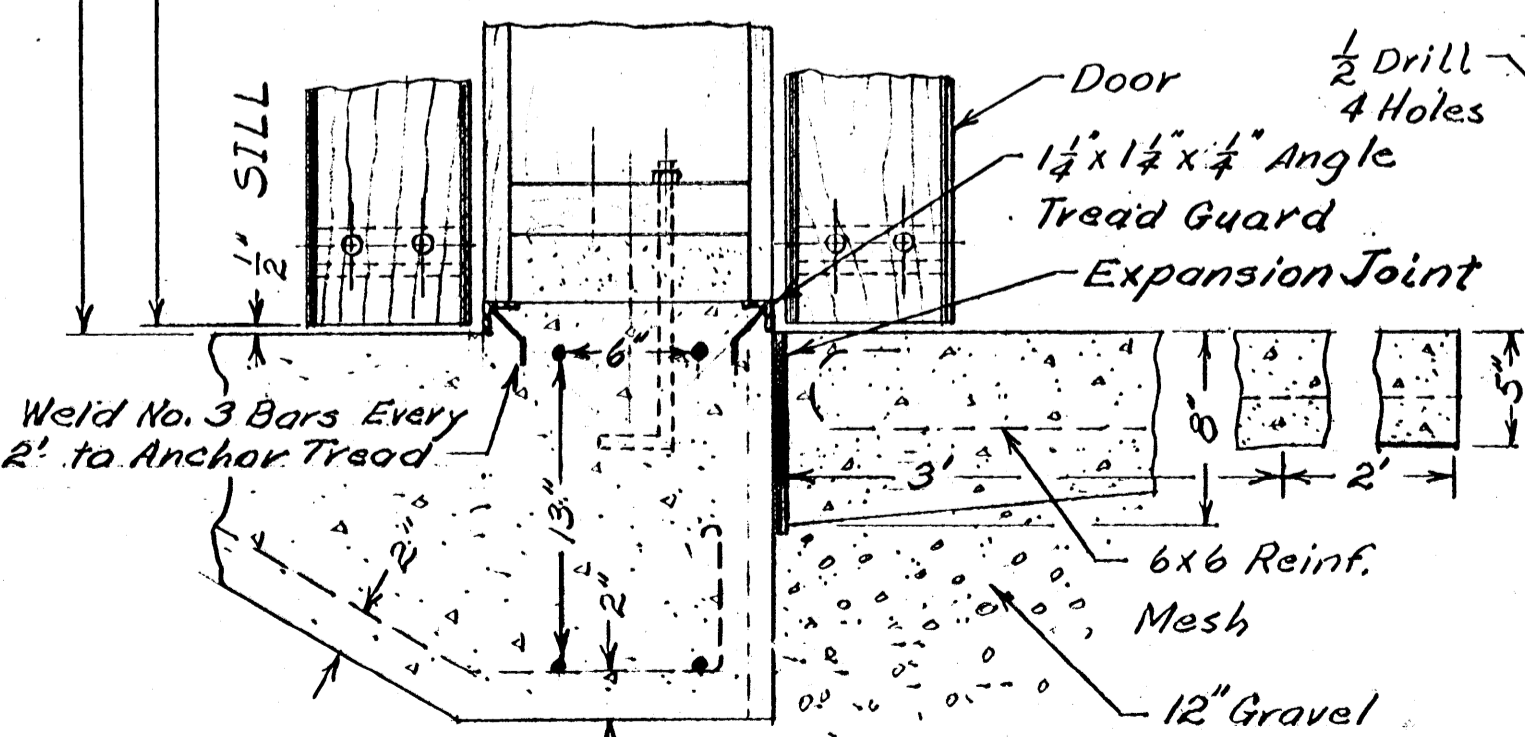
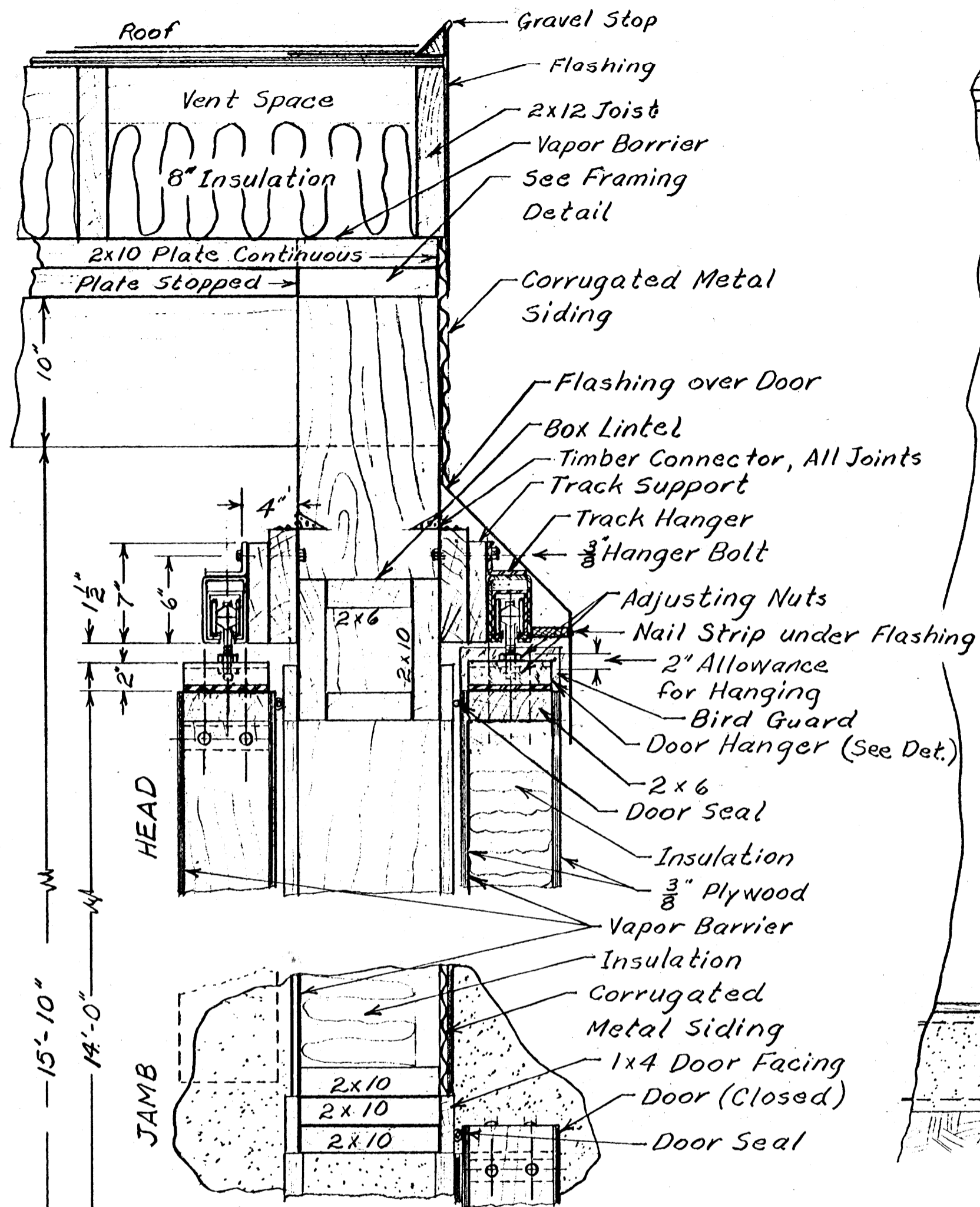
Typical Bin Divider
Section D-D'
scale 1" = 1'

Note: Brace Studs and Joists Laterally at Center of Span with 2x8's.

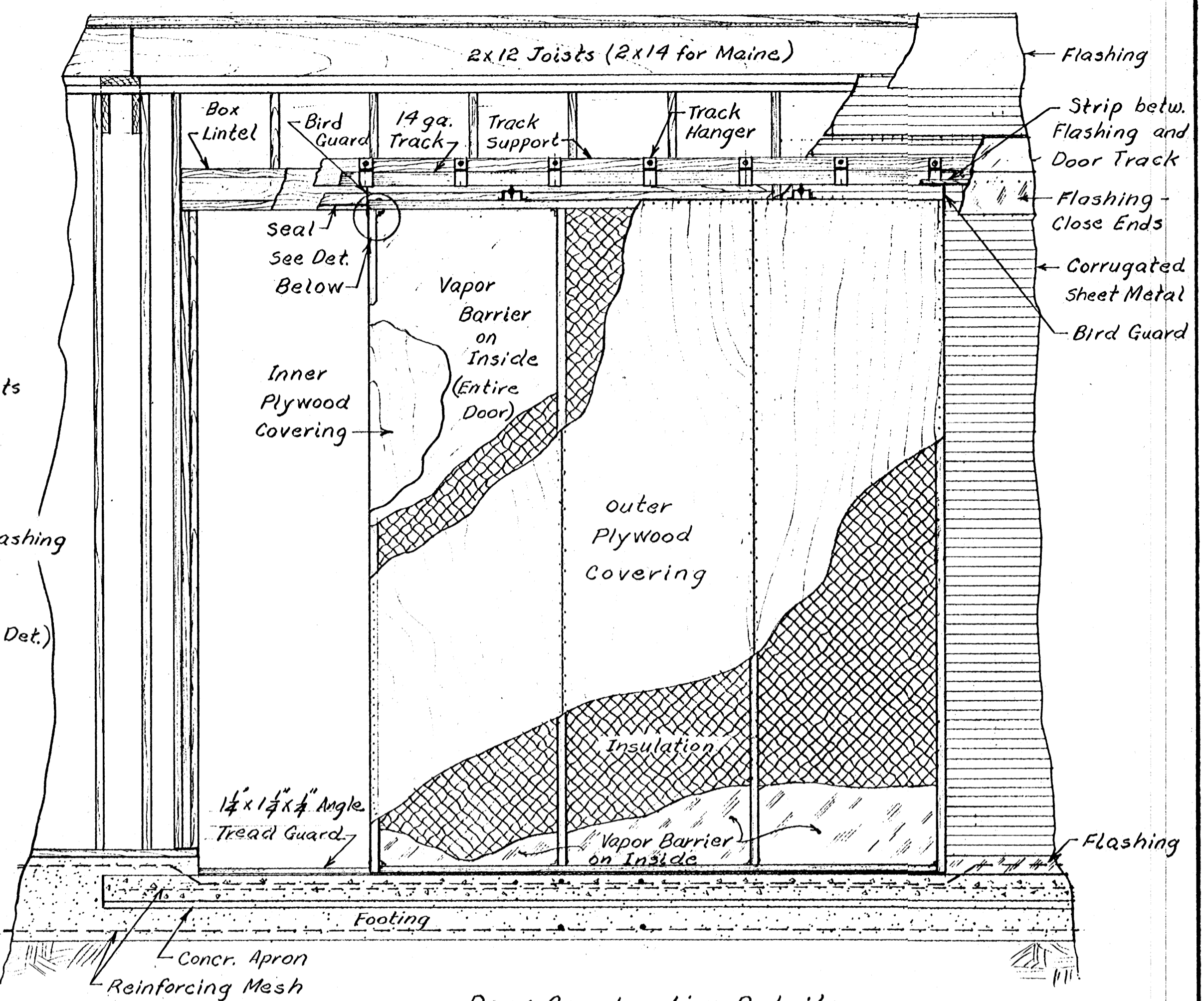


Detail A
Scale 1" = 1'

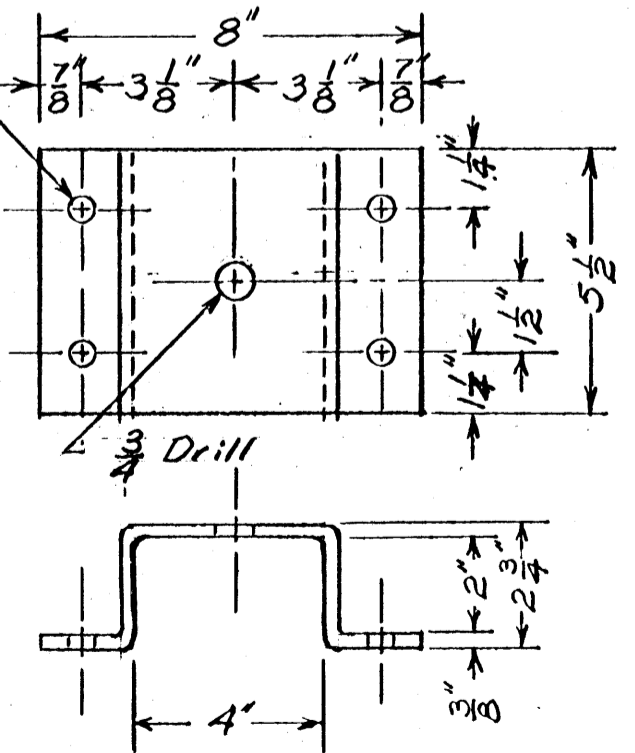
COOPERATIVE EXTENSION WORK IN AGRICULTURE AND HOME ECONOMICS		
STATE OF MISSISSIPPI		
MISSISSIPPI STATE UNIVERSITY		
AND UNITED STATES DEPARTMENT OF AGRICULTURE COOPERATING		
POTATO STORAGE		
60,000 CWT. DOOR-PER-BIN		
ARS - TFRD	EX. 5979	SHEET 5 OF 12
STRUCTURAL DETAILS		



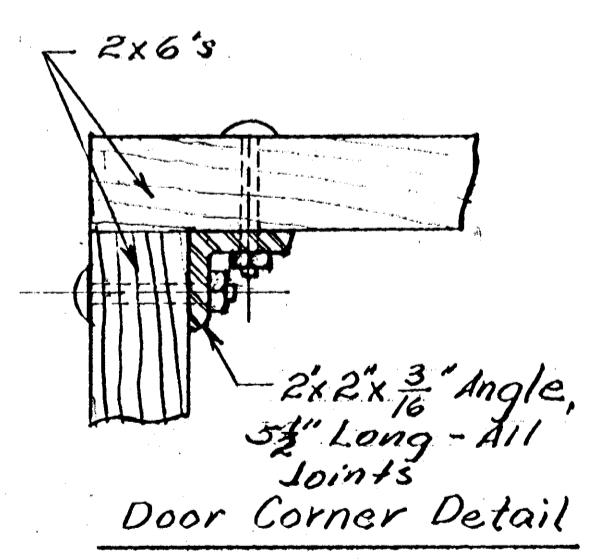
Door Details
scale: 1 1/2" = 1'



Door Construction Details
scale: 1/2" = 1'



Door Hanger Detail
scale: 3" = 1'



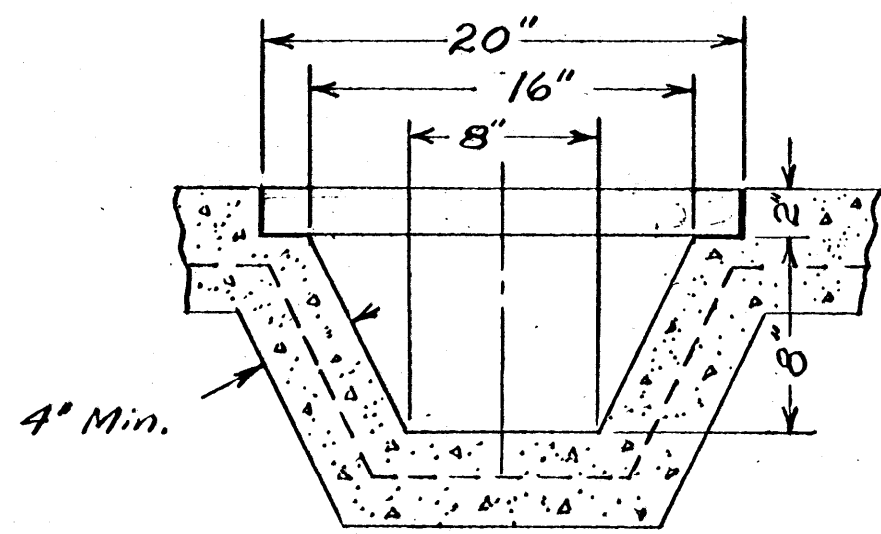
Door Corner Detail
scale: 3" = 1'

COOPERATIVE EXTENSION WORK IN
AGRICULTURE AND HOME ECONOMICS
STATE OF MISSISSIPPI
MISSISSIPPI STATE UNIVERSITY
AND
UNITED STATES DEPARTMENT OF AGRICULTURE COOPERATING

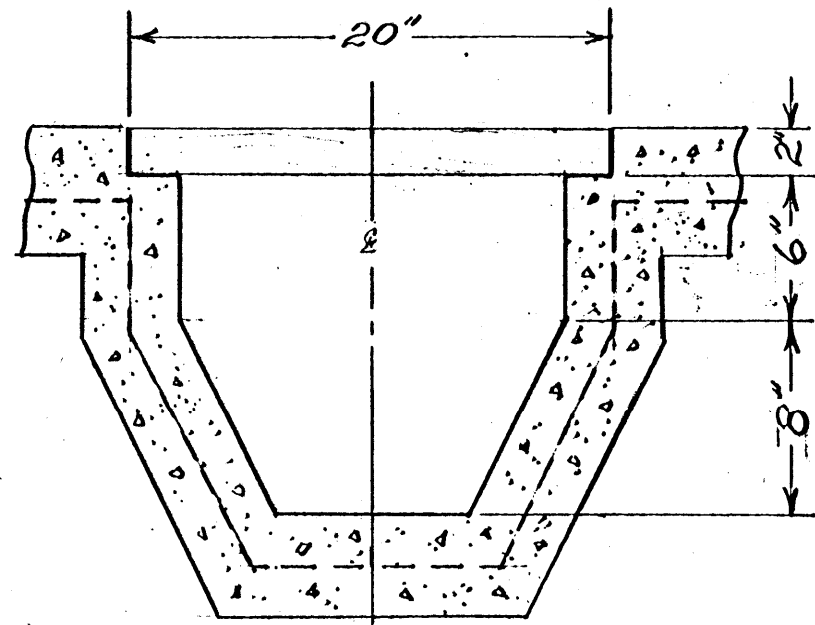
POTATO STORAGE
60,000 CWT. DOOR-PER-BIN

ARS-TERD EX. 5979 SHEET 6 OF 12

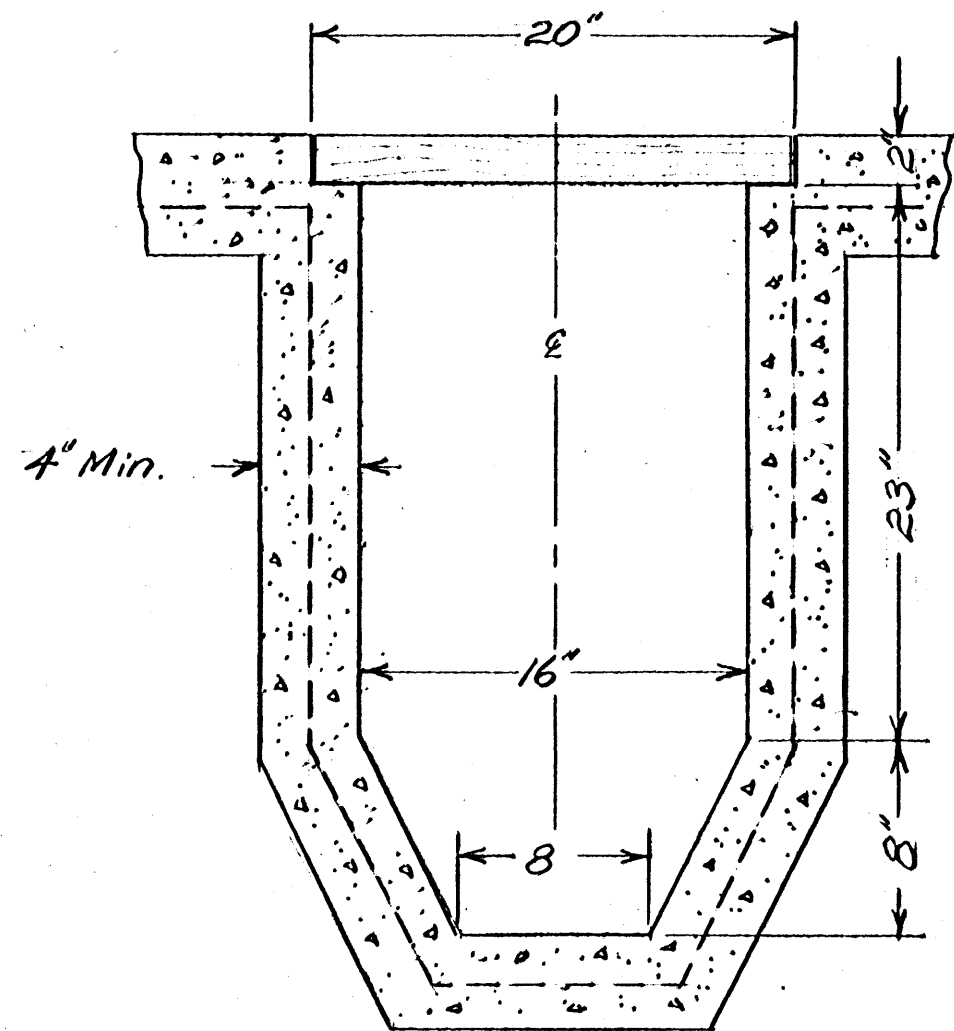
SLIDING DOOR DETAILS



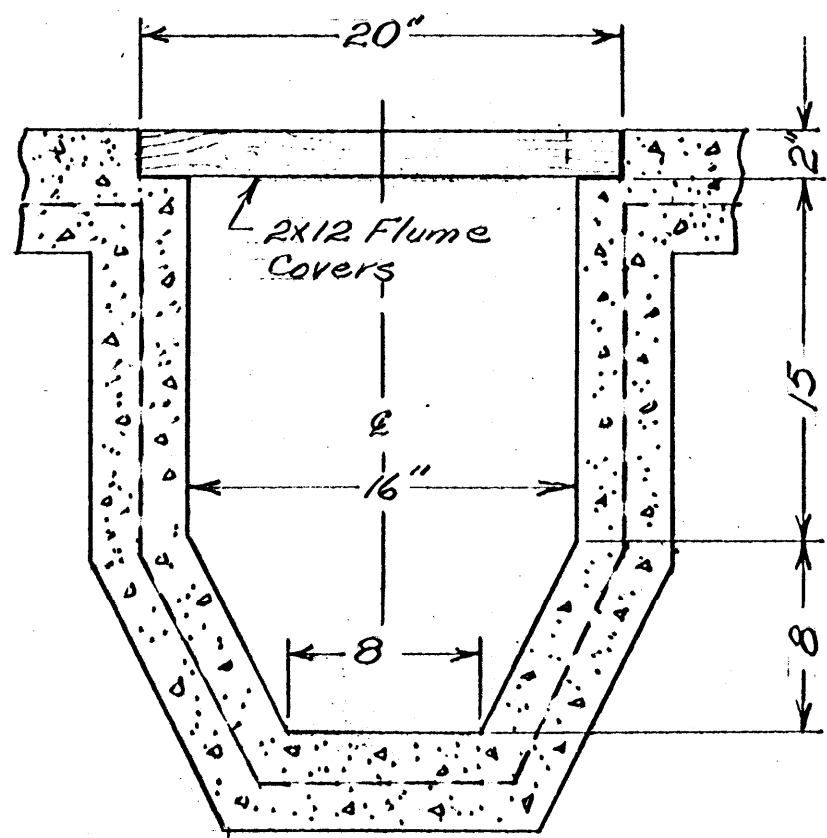
Detail A



Detail B

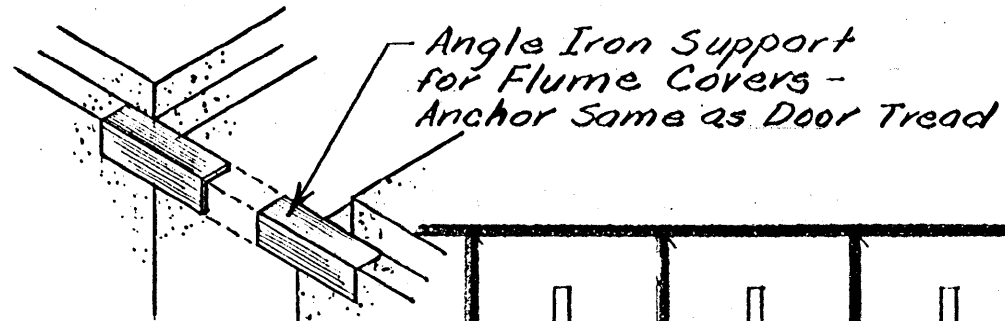


Detail C

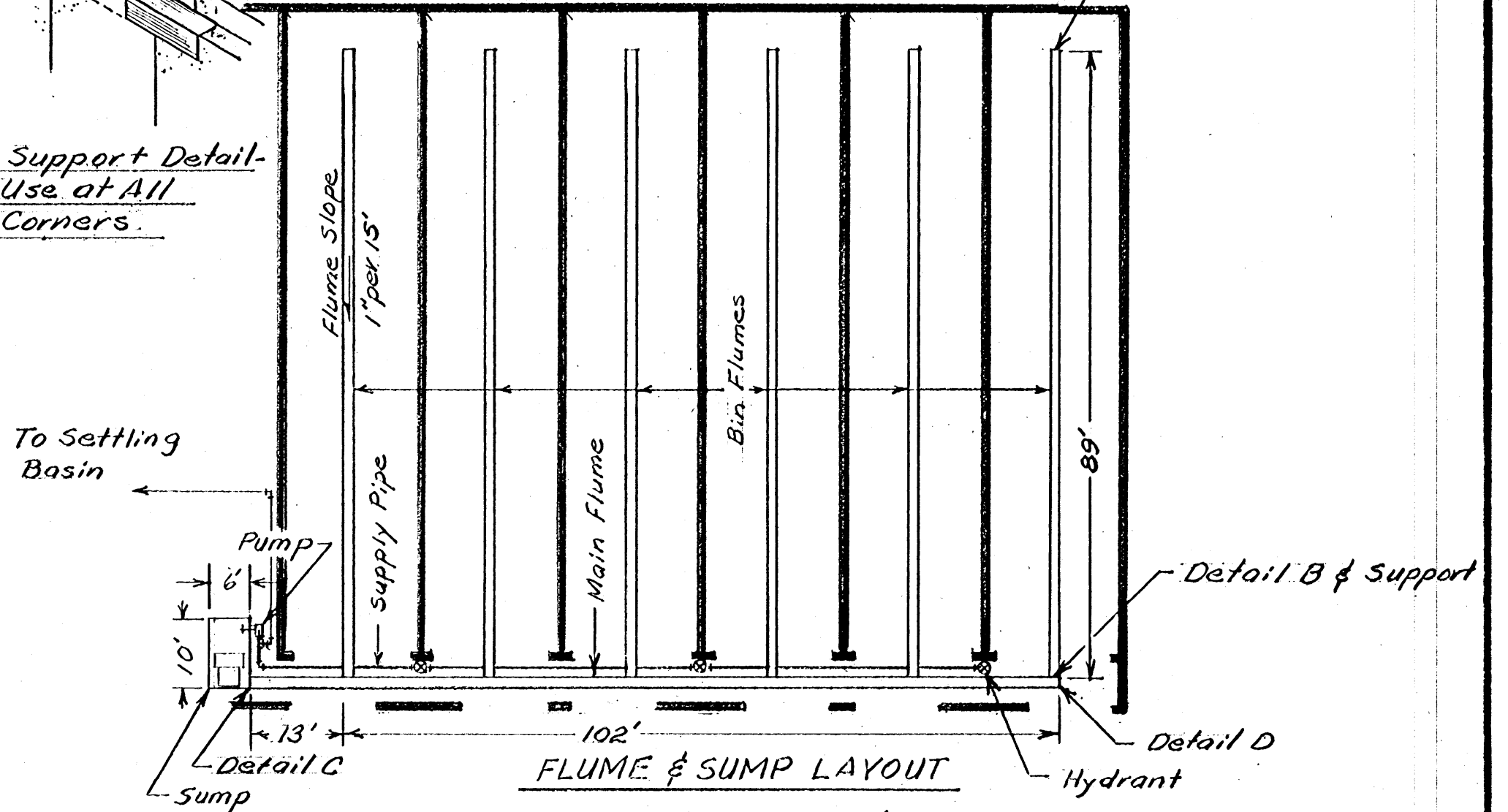


Detail D

Flume Sections
Scale: 1 1/2" = 1'

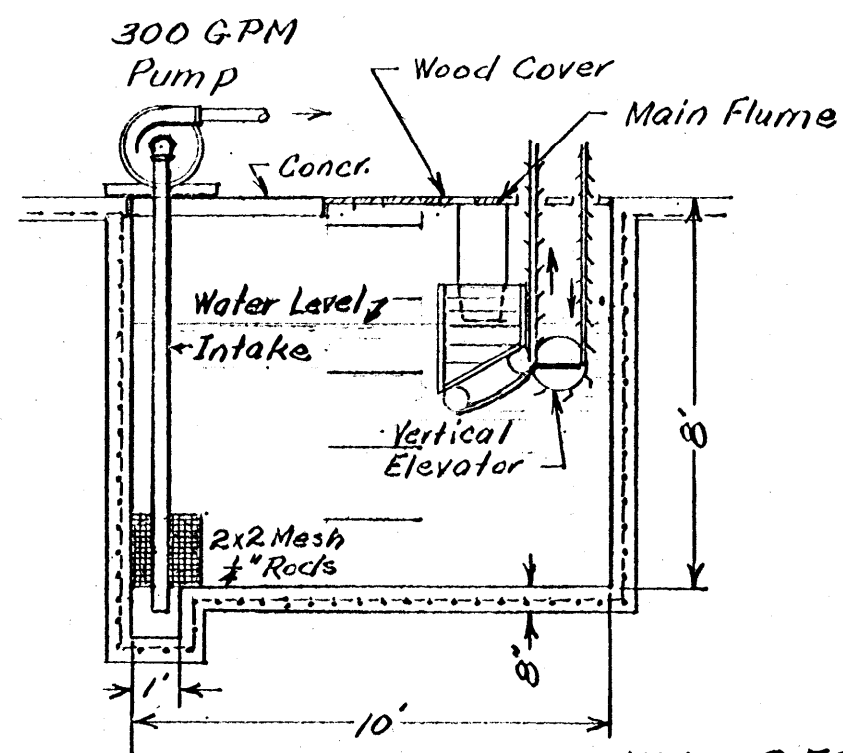


Support Detail -
Use at All
Corners.



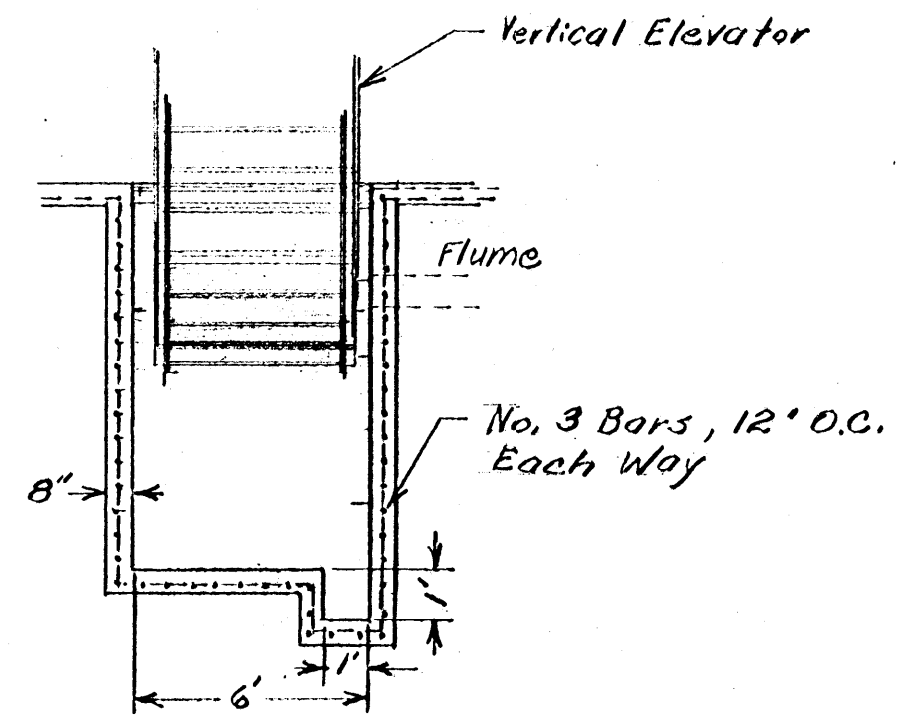
FLUME & SUMP LAYOUT

Scale: 1" = 20'

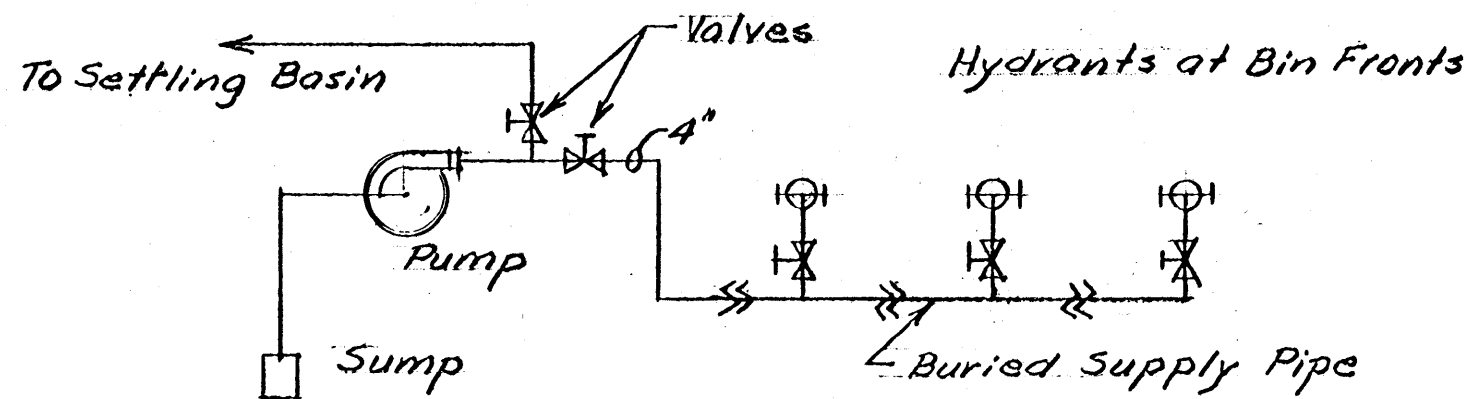


SUMP DETAILS

Scale: 1/4" = 1'



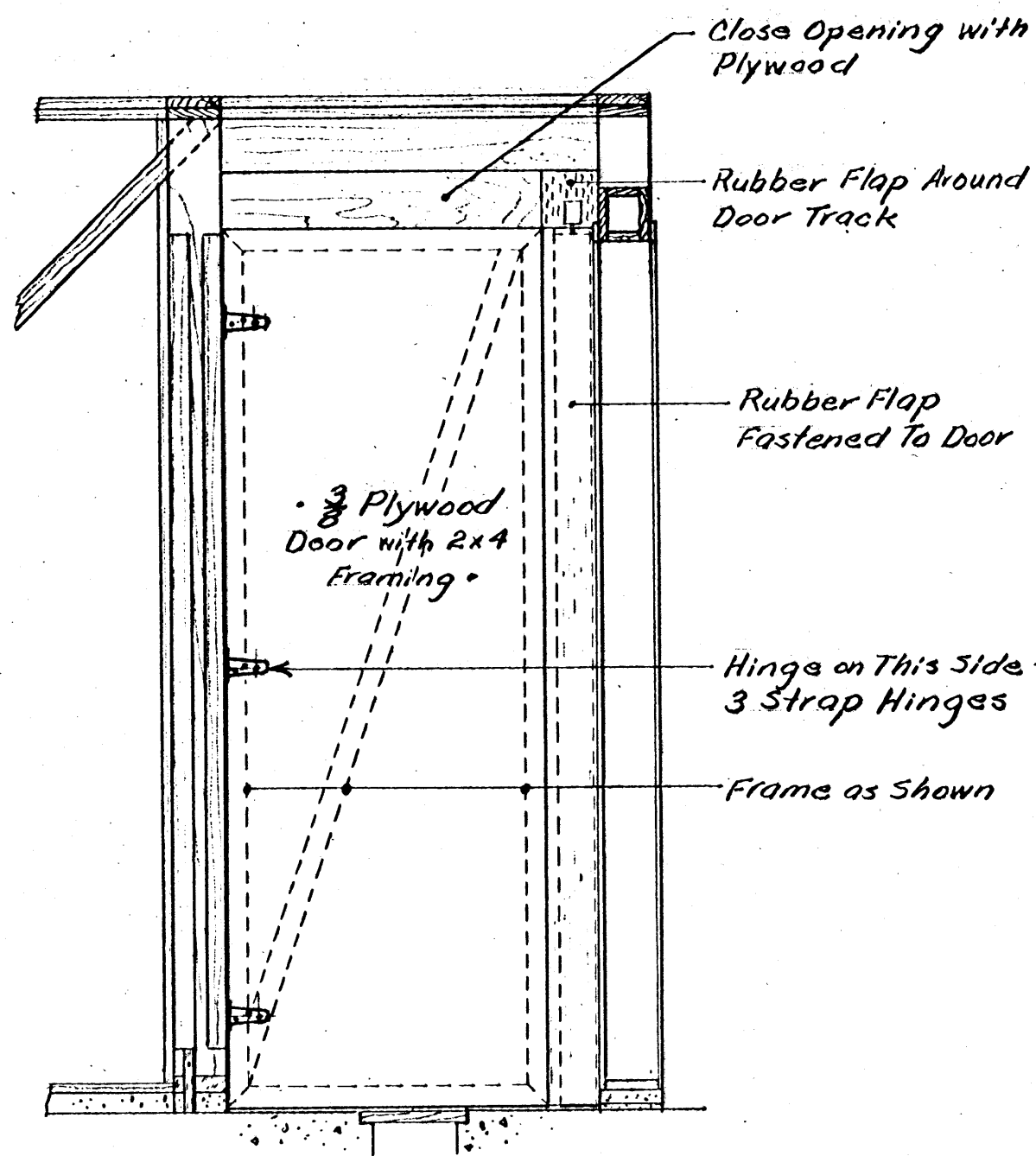
Note: All Flumes Reinforced with 6x6 No. 6 Mesh



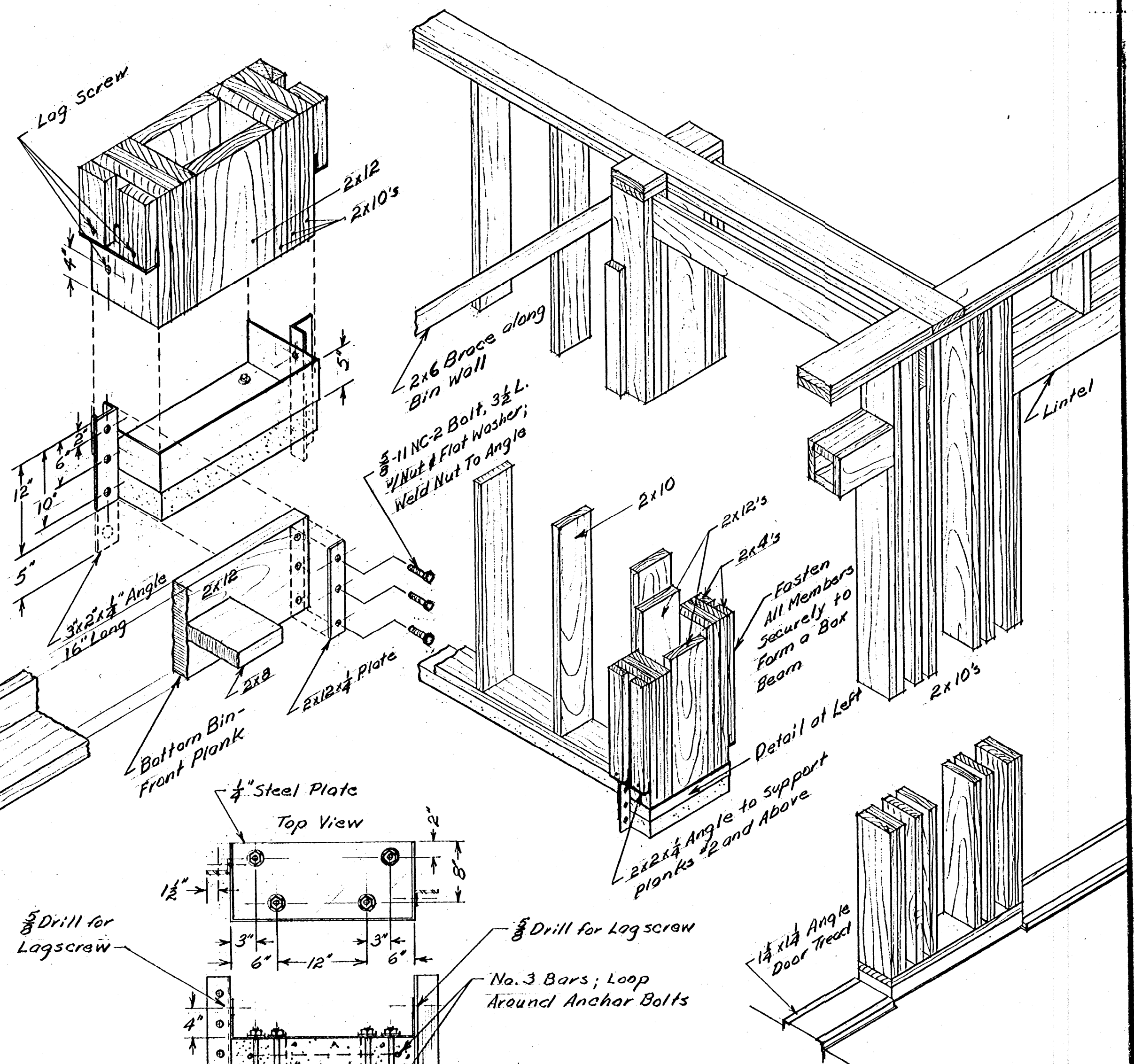
Piping Schematic

No Scale

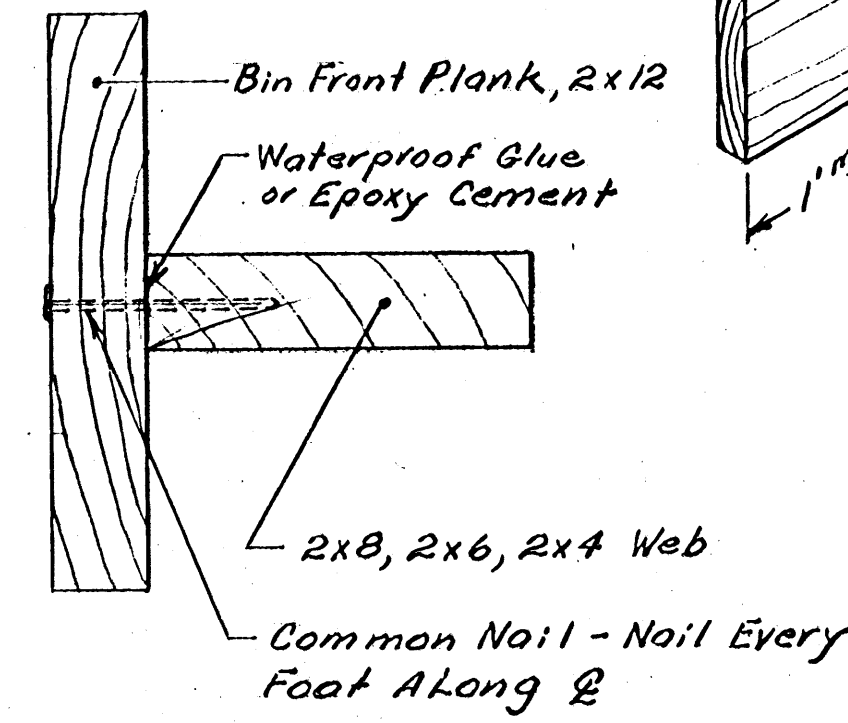
COOPERATIVE EXTENSION WORK IN AGRICULTURE AND HOME ECONOMICS		
STATE OF MISSISSIPPI		
MISSISSIPPI STATE UNIVERSITY		
AND UNITED STATES DEPARTMENT OF AGRICULTURE COOPERATING		
POTATO STORAGE		
60,000 CNT. DOOR-PER-BIN		
ARS - TFRD	EX. 5979	SHEET 7 OF 12
FLUME DETAILS		



Divider Door Detail
Scale: $\frac{3}{8}$ " = 1'

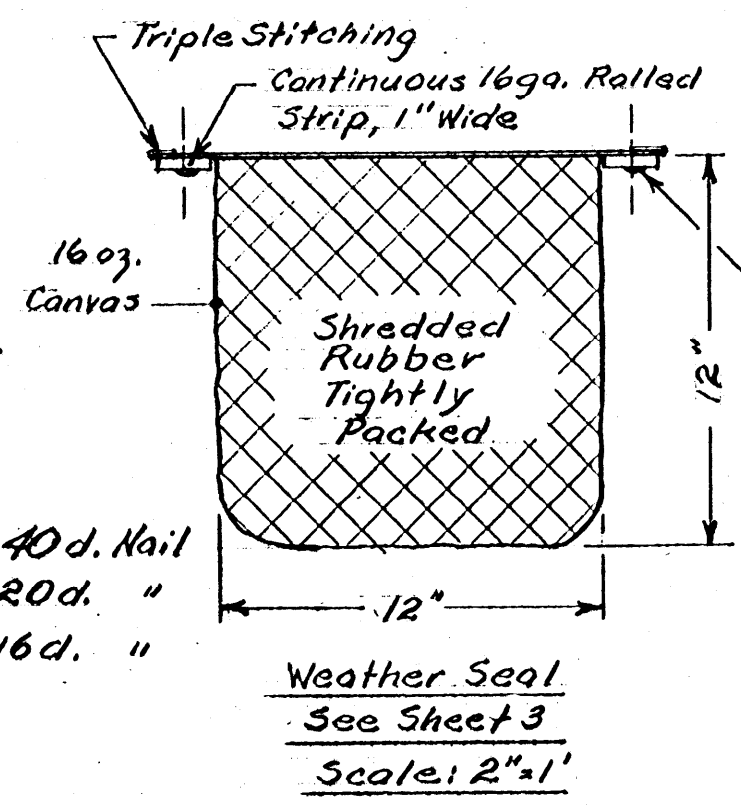


Typical Framing for Bins & Doors
See Sheet 3
Scale: $\frac{1}{2}$ " = 1'



Note: 2x8 Web - First 3 Planks - Use 40d. Nail
2x6 " - Next 9 " - " 20d. "
2x4 " - Last 2 " - " 16d. "

Bin Front Plank End View
Scale: 3" = 1'

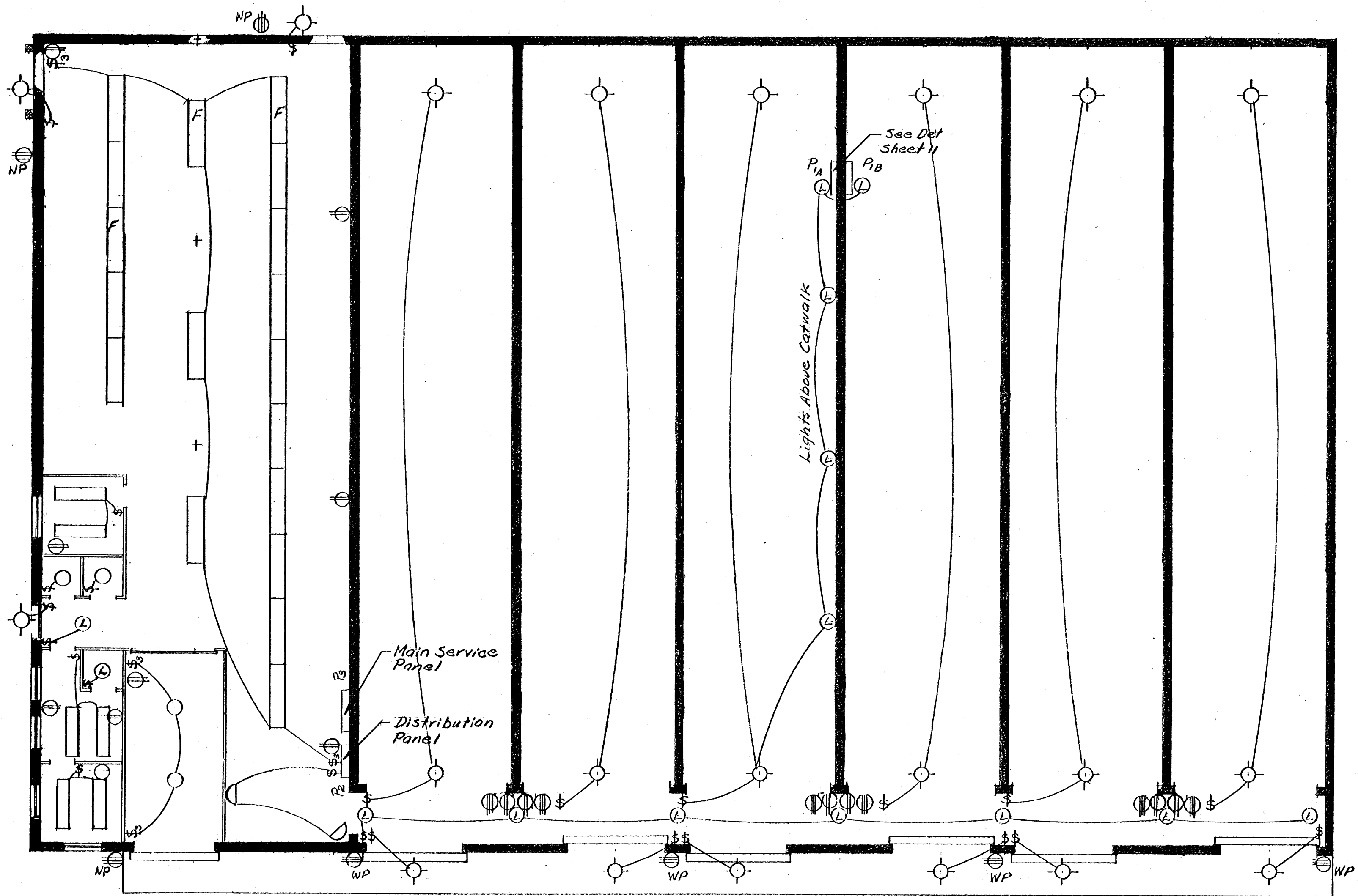


COOPERATIVE EXTENSION WORK IN AGRICULTURE AND HOME ECONOMICS
STATE OF MISSISSIPPI
MISSISSIPPI STATE UNIVERSITY
AND
UNITED STATES DEPARTMENT OF AGRICULTURE COOPERATING

POTATO STORAGE
60,000 CWT. DOOR-PER-BIN

ARS-TRFD EX. 5979 SHEET 8 OF 12

BIN FRONT DETAILS



LEGEND

- \$ Single Pole Switch
- \$₃ Single Pole Switch, 3-way
- ⊕ Duplex Outlet, 110 v., 1 φ, Grounded
- ⊕ Duplex Outlet, 208 v., 3 φ or 230 v., 1 φ; Grounded
- ⊕ WP Same as Above, Waterproof
- ⊙ Floodlamp, 1000 W., Waterproof
- ⊙ Ceiling Lamp, 100 W., Vaporproof
- P_{1, A, B} Panel Overhead in Plenum Chamber for Ventilation Controls, Two 48" Fans, 230 v., 3 φ and 1 Louver Motor

110 v., 1 φ

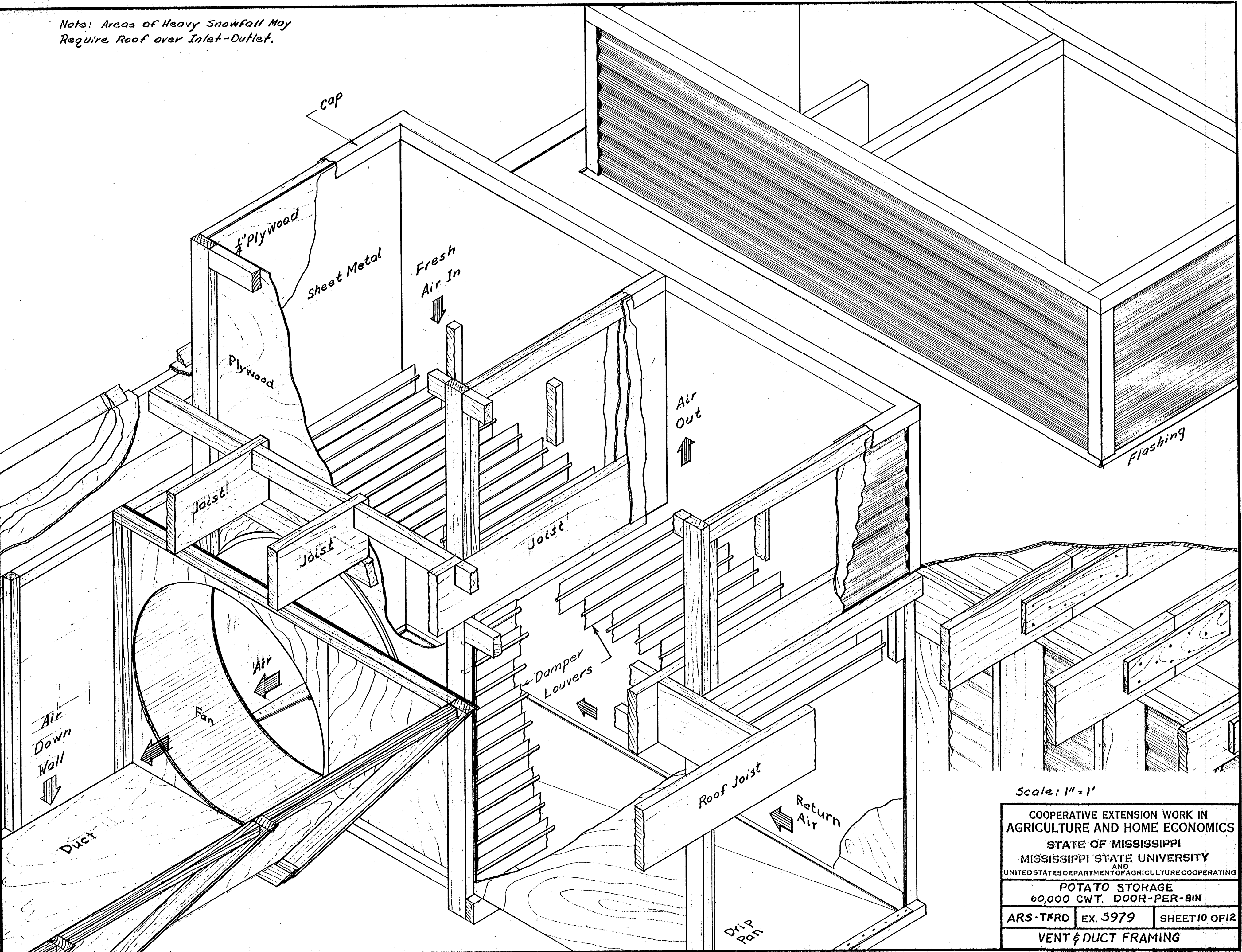
- P₂ Shipping Room Panel
- P₃ Main Service Panel - 400 Amp.
- F Fluorescent Fixtures, 8' Nom. Length with 2 - 75 watt Lamps. 12' Mounting Height in Storage Area, 15'-4" in Packing Area
- ⊙ Industrial Incandescent 150 watt RLM Angular Unit

Note: 1. No Supply Circuits Shown
2. Equip Building with Lightning Protection

Scale: 1" = 10'

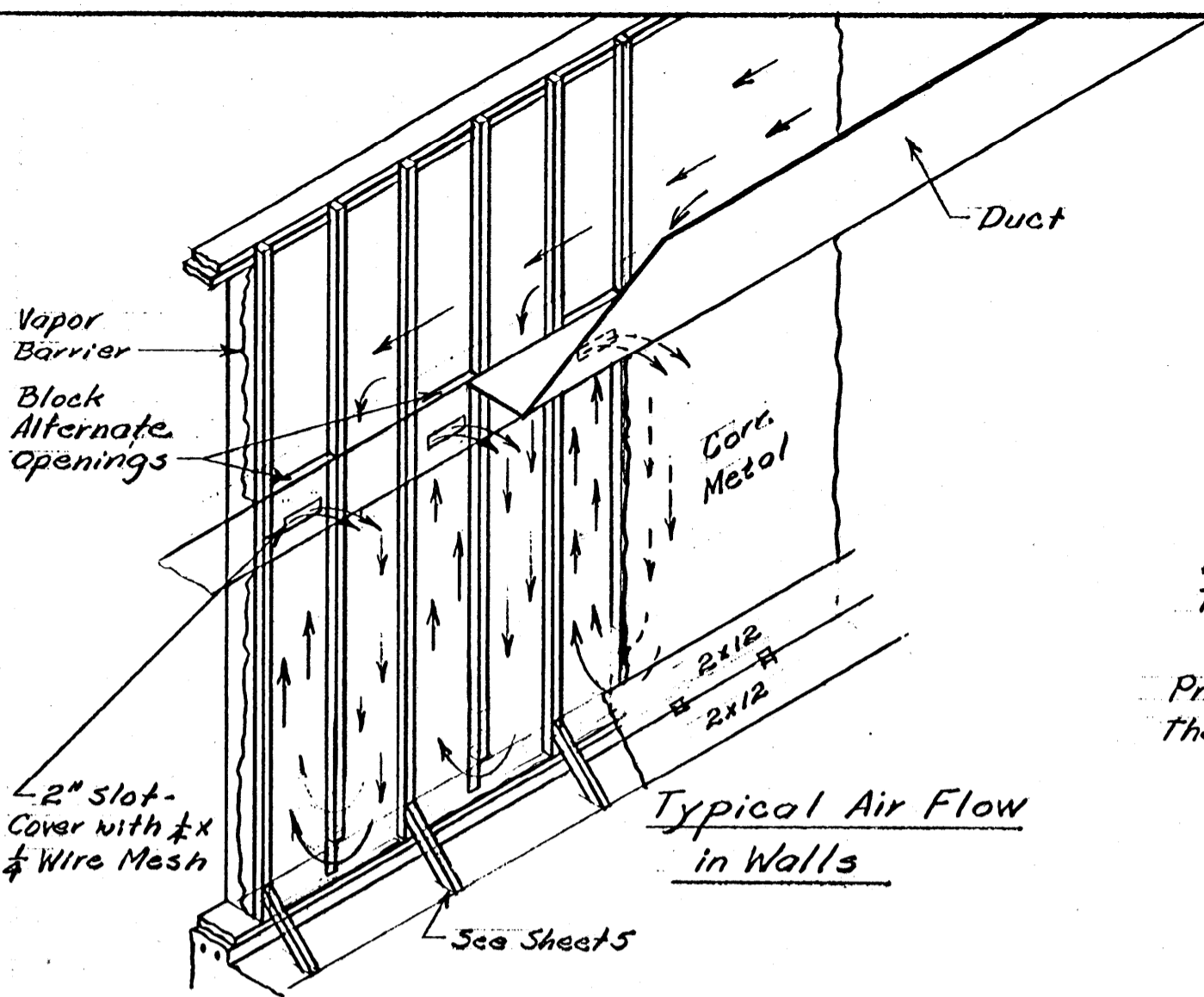
COOPERATIVE EXTENSION WORK IN AGRICULTURE AND HOME ECONOMICS		
STATE OF MISSISSIPPI		
MISSISSIPPI STATE UNIVERSITY		
AND UNITED STATES DEPARTMENT OF AGRICULTURE COOPERATING		
POTATO STORAGE		
60,000 CWT. DOOR-PER-BIN.		
ARS-TFRD	EX. 5979	SHEET 9 OF 12
LIGHTING & ELECTRICAL		

Note: Areas of Heavy Snowfall May Require Roof over Inlet-Outlet.

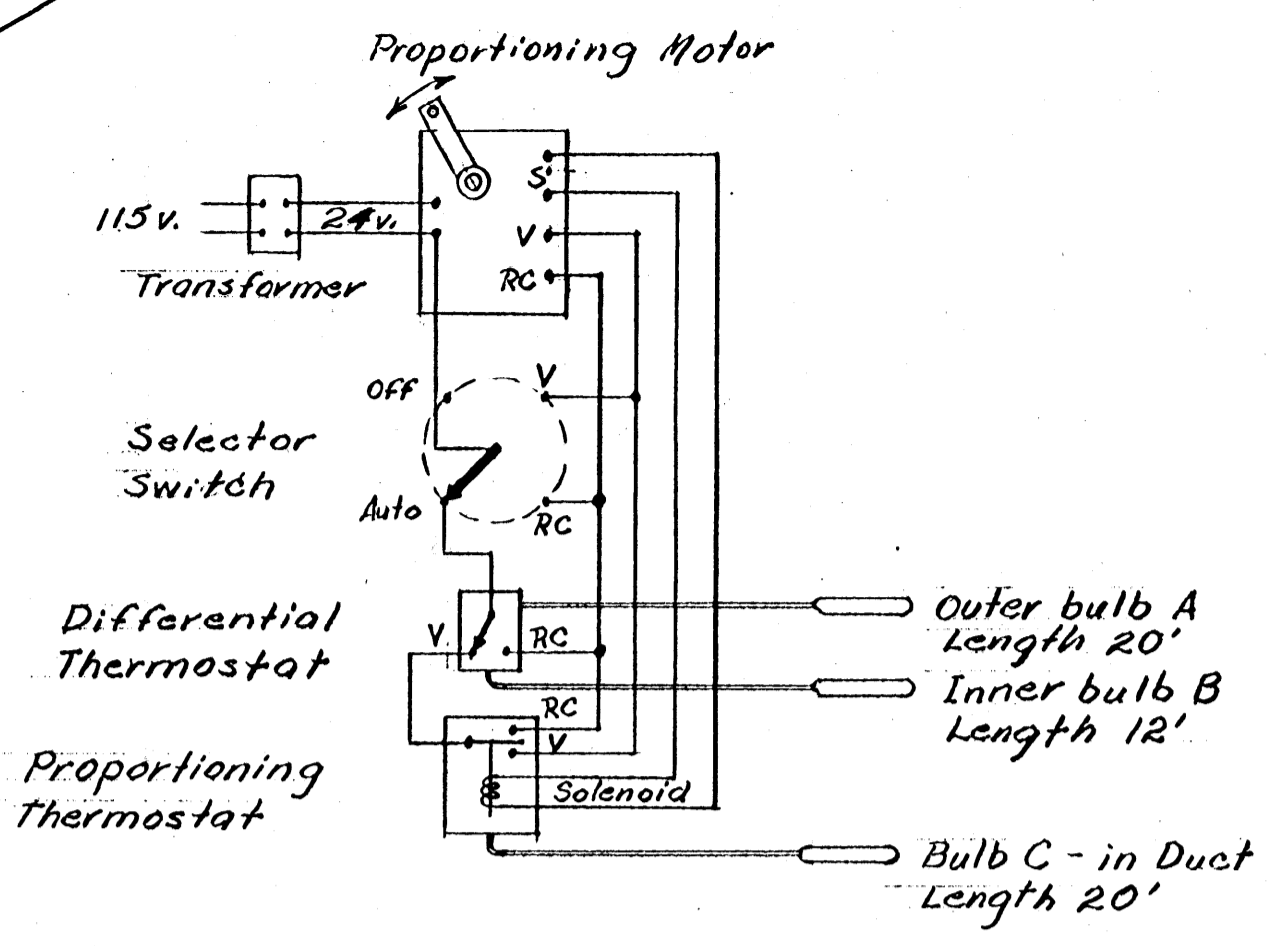


Scale: 1" = 1'

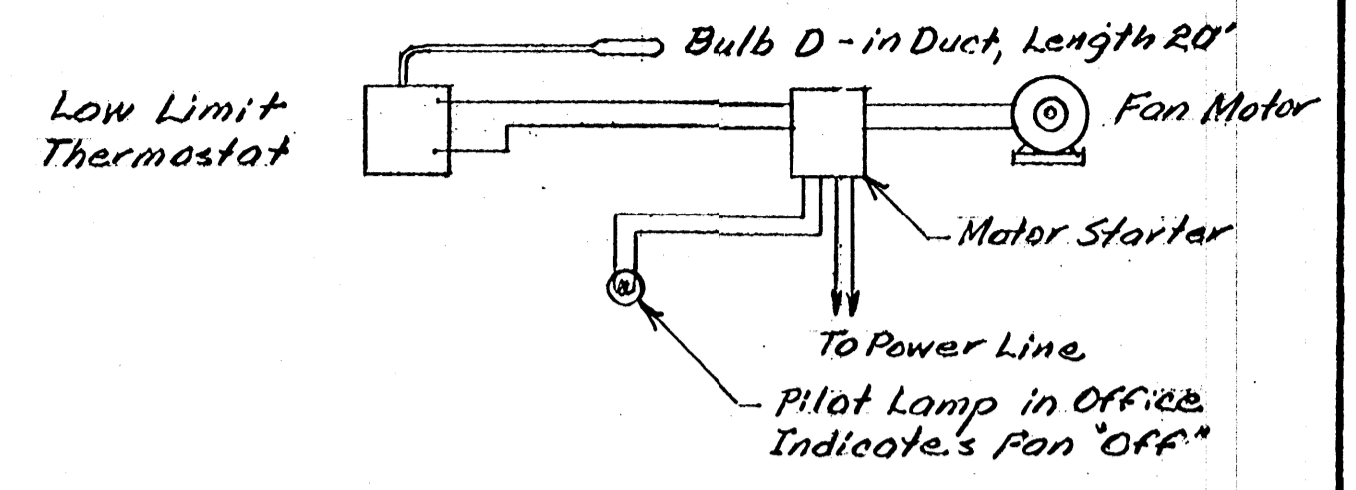
COOPERATIVE EXTENSION WORK IN AGRICULTURE AND HOME ECONOMICS		
STATE OF MISSISSIPPI		
MISSISSIPPI STATE UNIVERSITY AND UNITED STATES DEPARTMENT OF AGRICULTURE COOPERATING		
POTATO STORAGE 60,000 CWT. DOOR-PER-BIN		
ARS-TFRD	EX. 5979	SHEET 10 OF 12
VENT & DUCT FRAMING		



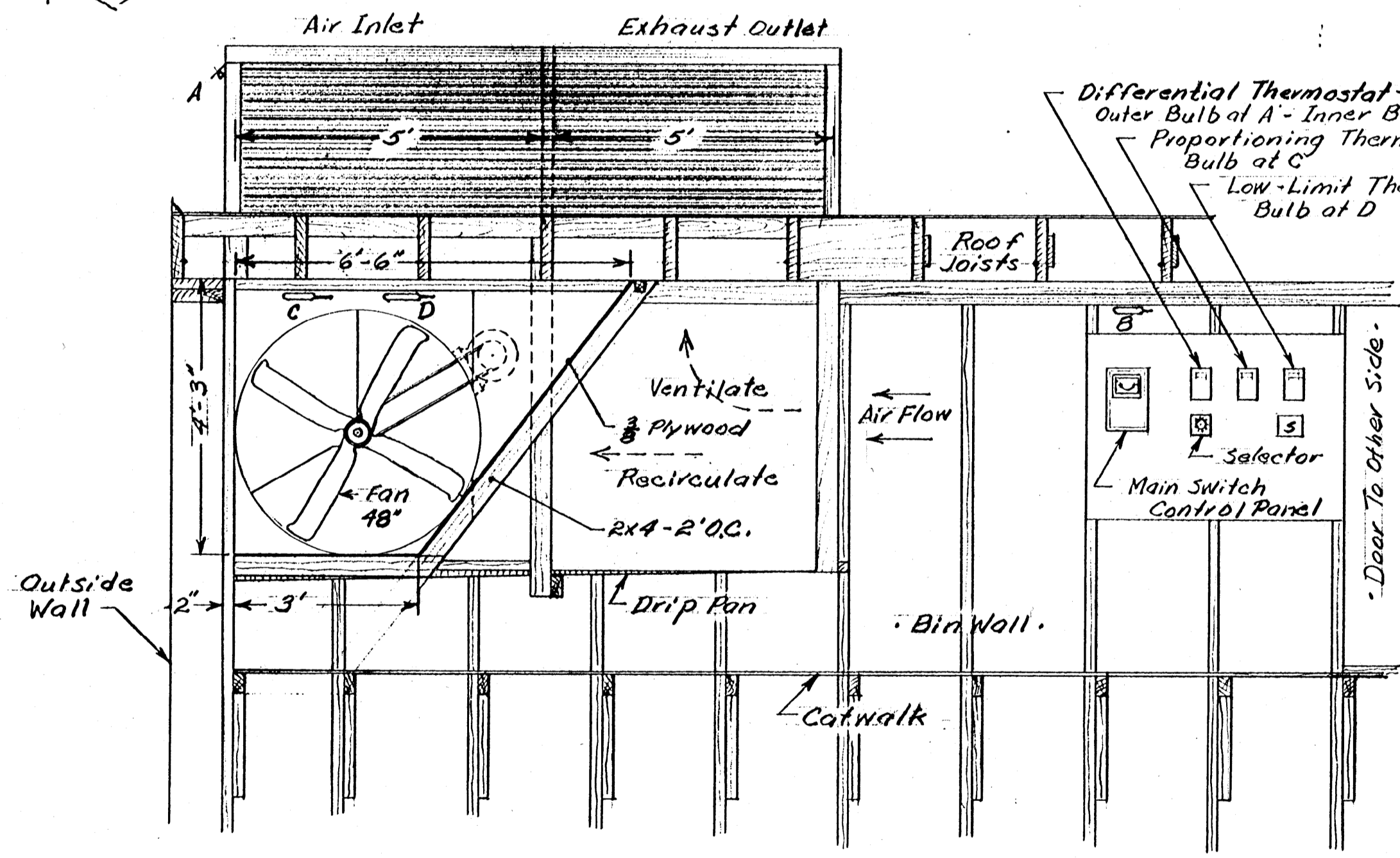
Typical Air Flow in Walls



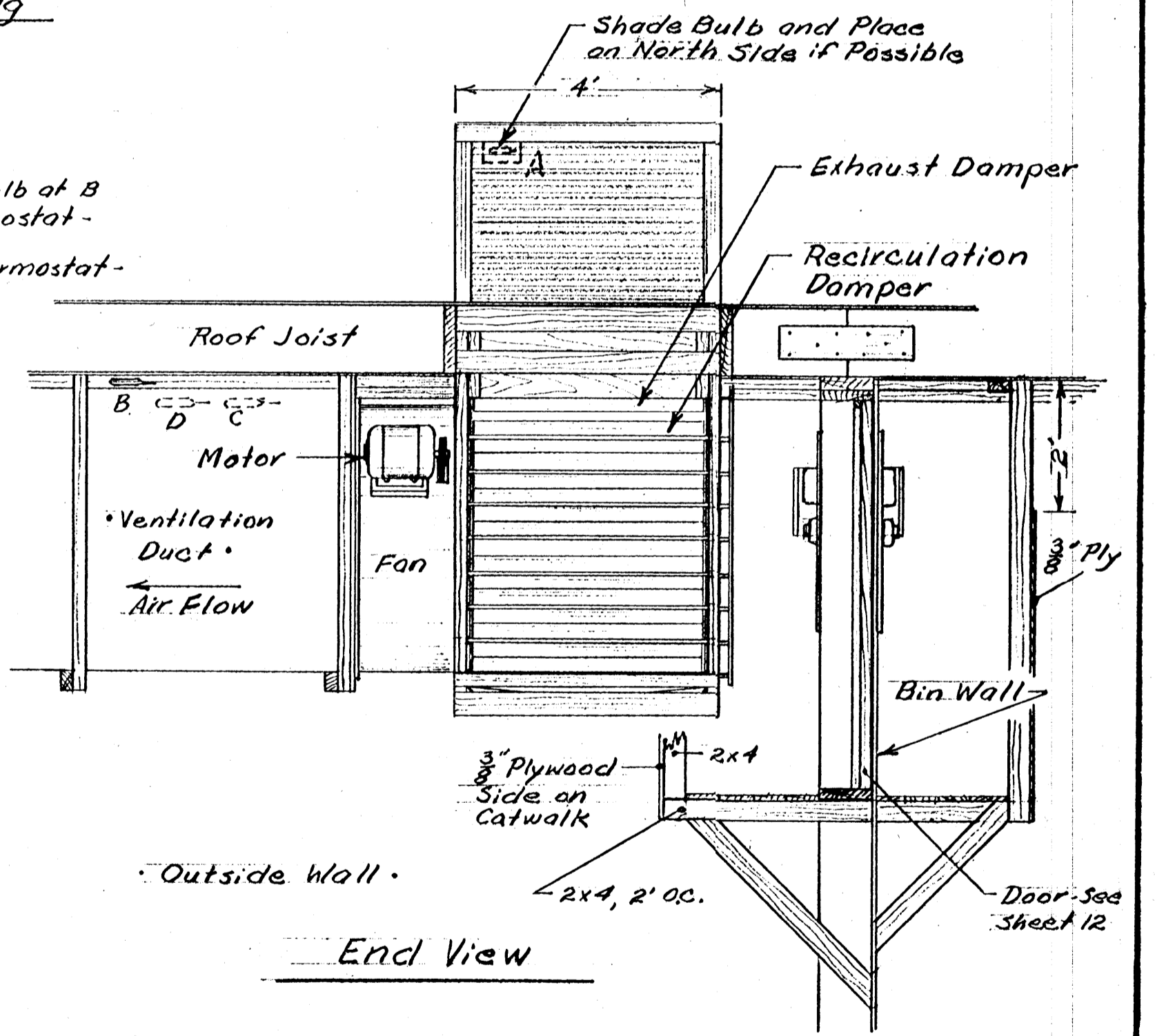
Damper Control Wiring



Fan Motor Control Wiring



VENTILATION SYSTEM
Side View
Scale: 1/2" = 1'



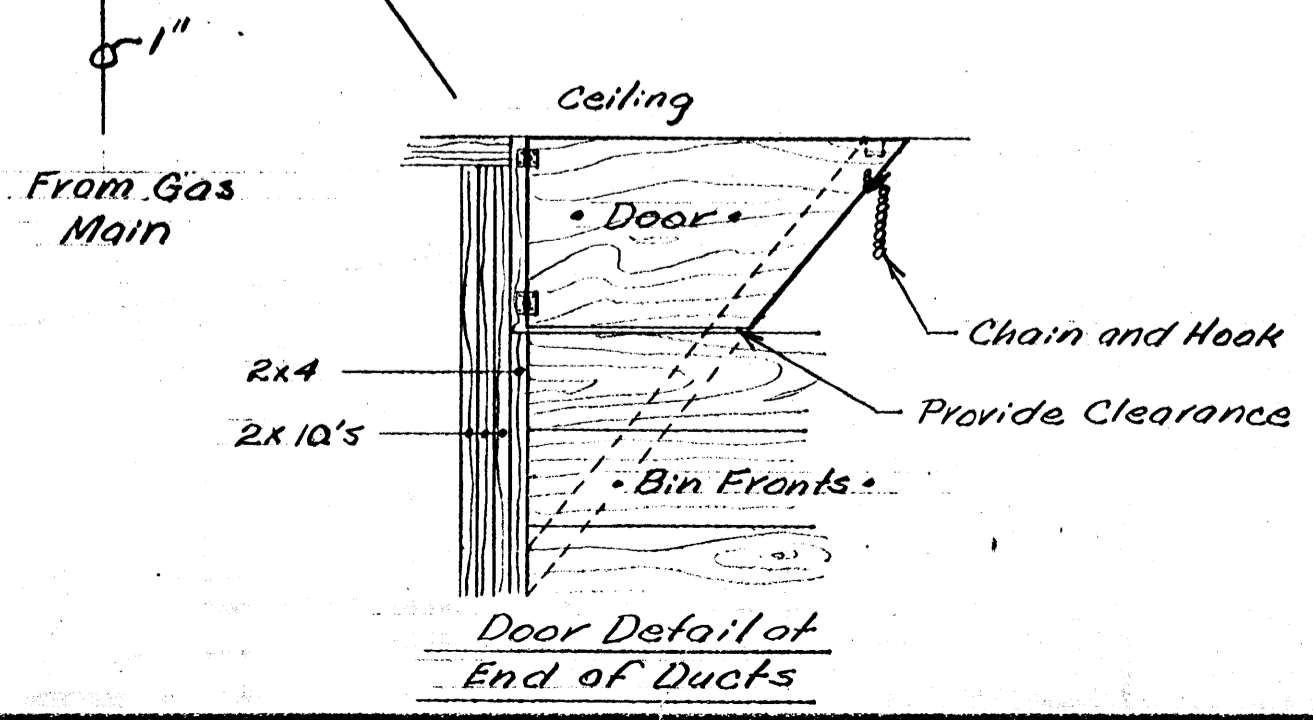
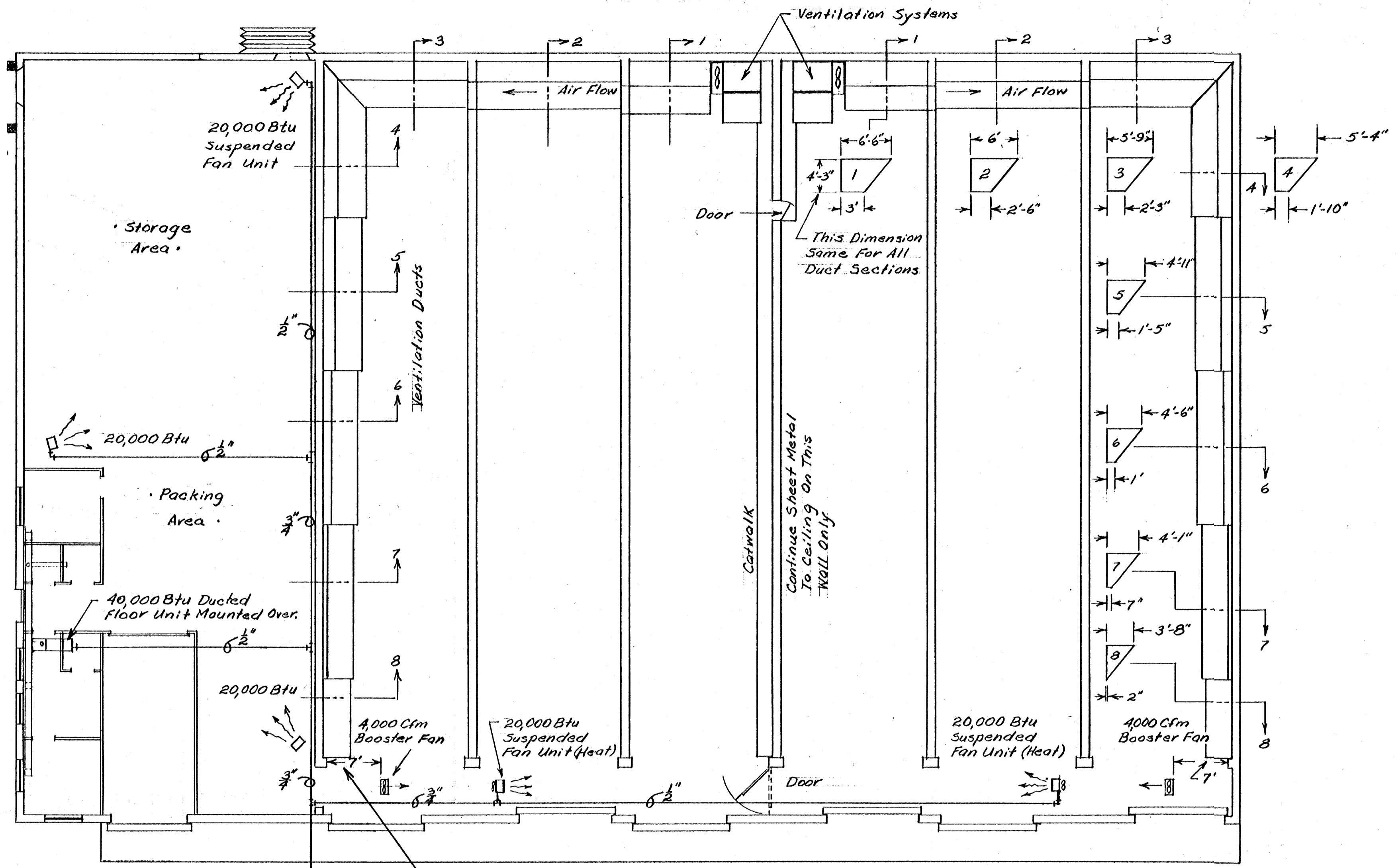
End View

COOPERATIVE EXTENSION WORK IN AGRICULTURE AND HOME ECONOMICS
STATE OF MISSISSIPPI
MISSISSIPPI STATE UNIVERSITY
AND
UNITED STATES DEPARTMENT OF AGRICULTURE COOPERATING

POTATO STORAGE
60,000 CWT. DOOR-PER-BIN

ARS-TRD EX. 5979 SHEET 11 OF 12

VENTILATION DETAILS



Scale: 1" = 10'

COOPERATIVE EXTENSION WORK IN
 AGRICULTURE AND HOME ECONOMICS
 STATE OF MISSISSIPPI
 MISSISSIPPI STATE UNIVERSITY
 AND
 UNITED STATES DEPARTMENT OF AGRICULTURE COOPERATING

POTATO STORAGE
 60,000 CWT. DOOR-PER-BIN

ARS-TRD EX. 5979 SHEET 12 OF 12

HEATING & VENTILATION