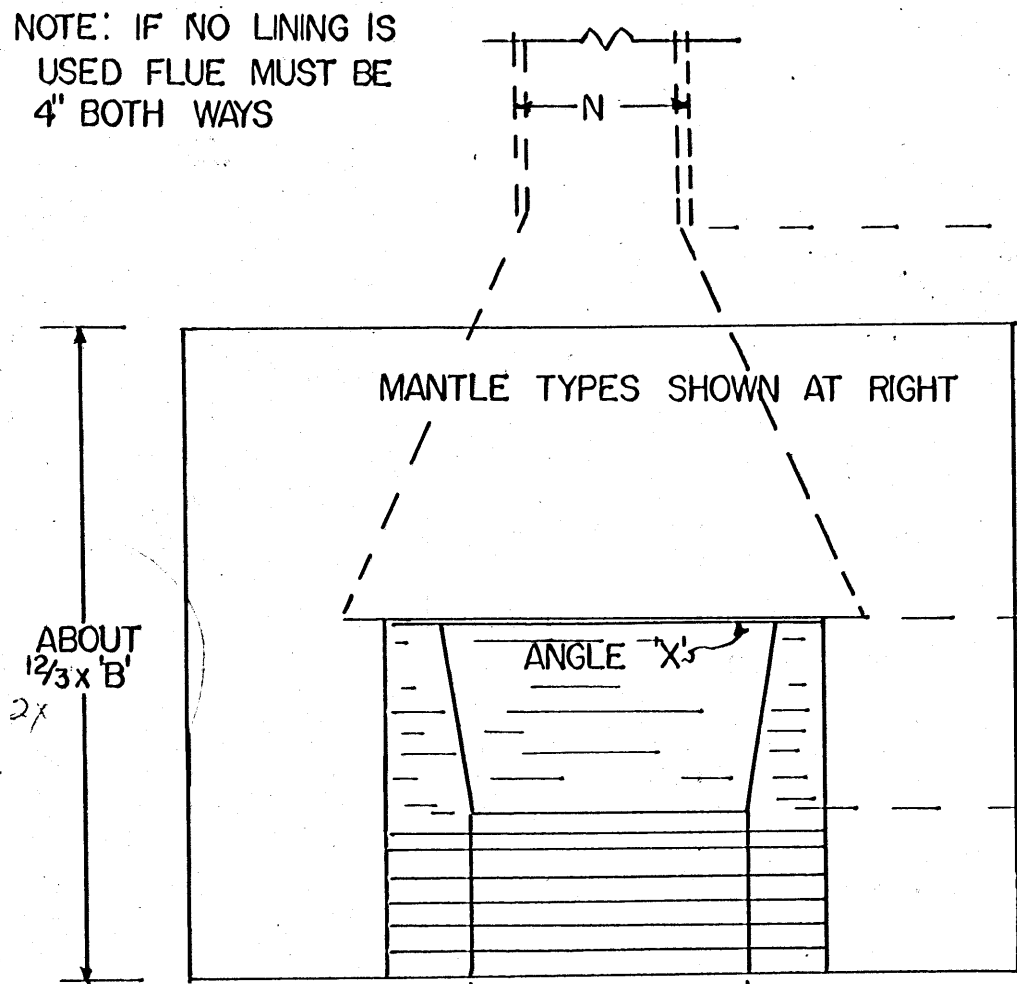


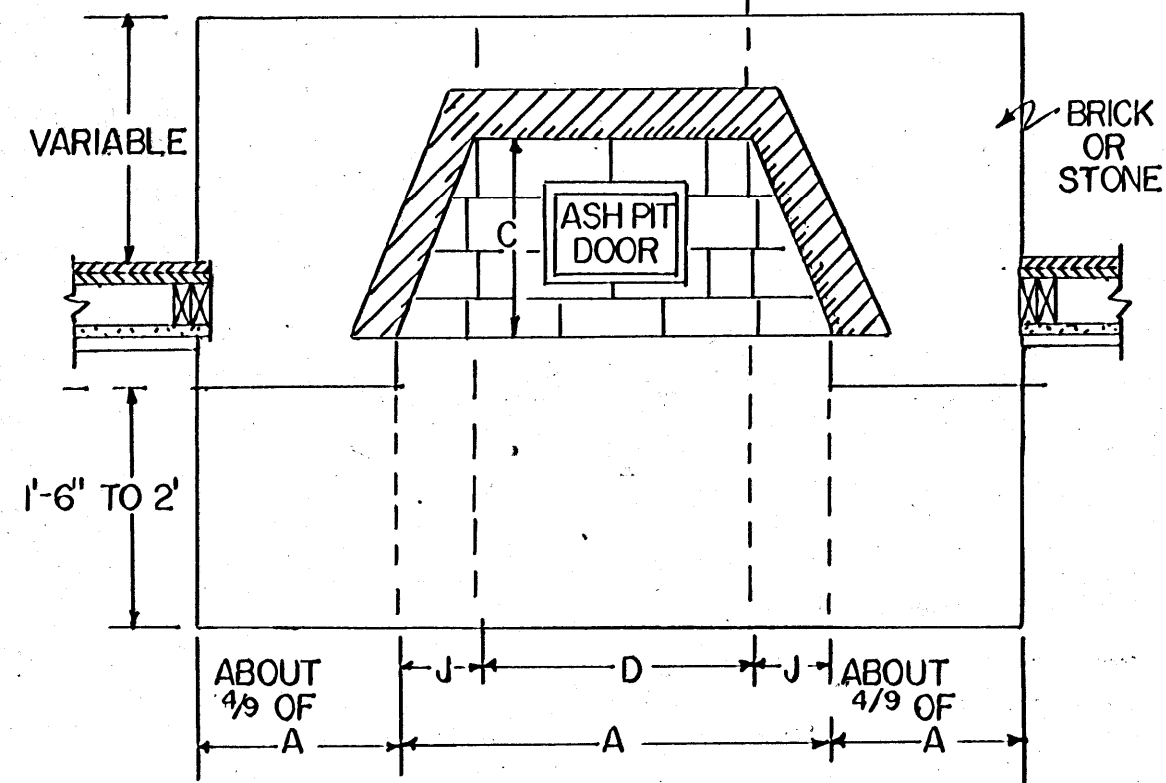
NOTE: IF NO LINING IS USED FLUE MUST BE 4" BOTH WAYS



**ELEVATION**

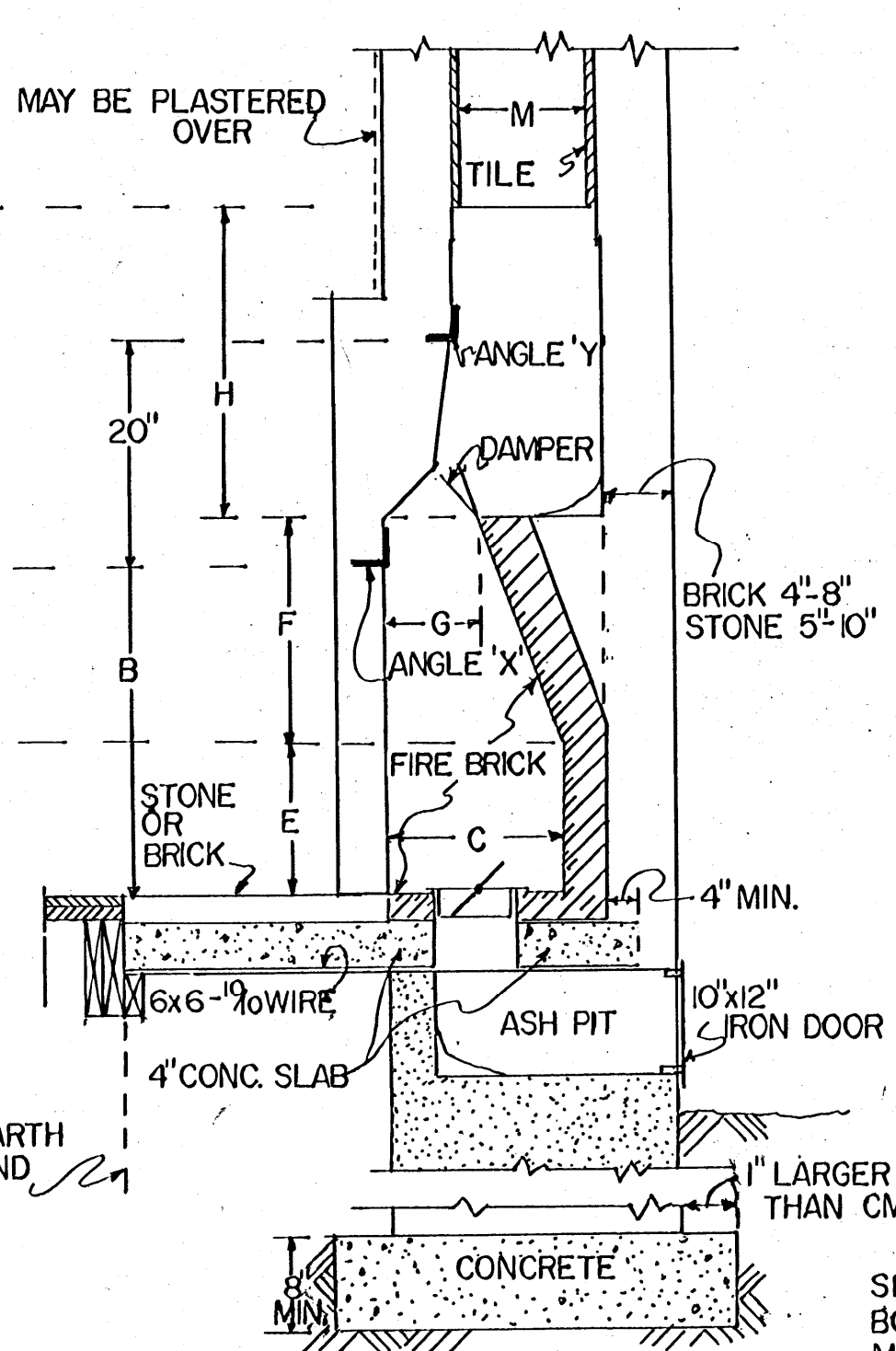
SCALE - 3/4" = 1'-0"

IF NO BASEMENT, HEARTH MAY BE CARRIED DOWN AND FOOTED - THUS ELIMINATE REINF. CONC. SLAB



**PLAN**

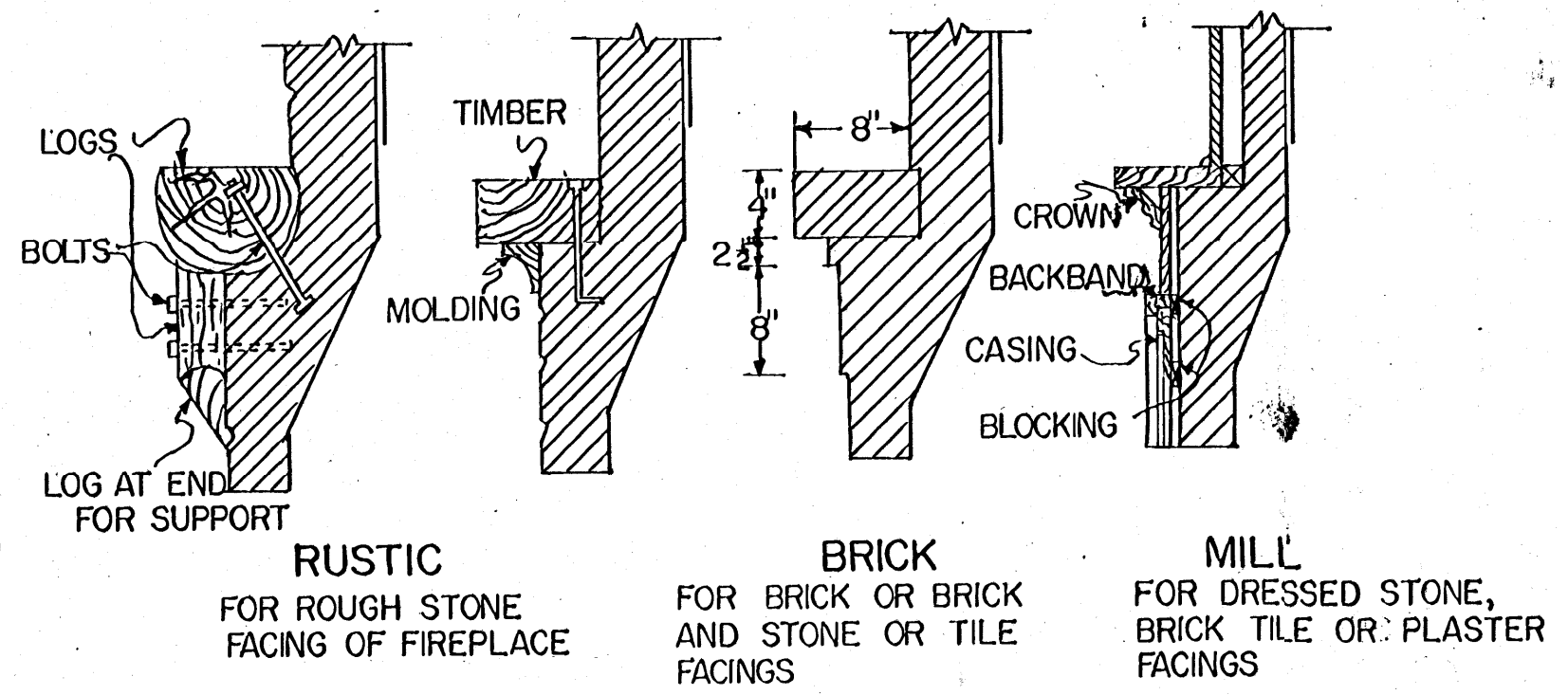
SCALE 3/4" = 1'-0"



**SECTION**

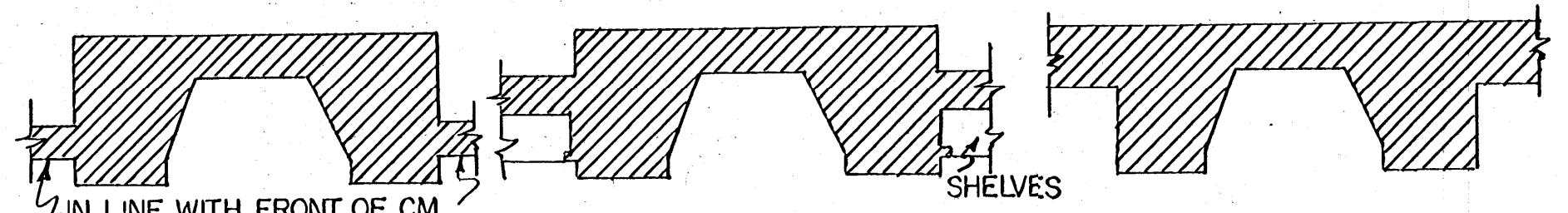
SCALE 3/4" = 1'-0"

3/8" Ø REBARS 6" O.C. EACH WAY



**MANTLE TYPES**

SCALE - 1" = 1'-0"



**OUTSIDE**

USED WHEN MAXIMUM INSIDE SPACE IS DESIRABLE AND WHEN NO BOOK SHELF SPACE IS DESIRED, MAY BE USED ON OUTSIDE WALL OR WHERE THERE IS CLOSETS OR OTHER SPACE WHERE PROJECTION ISN'T OBJECTIONABLE

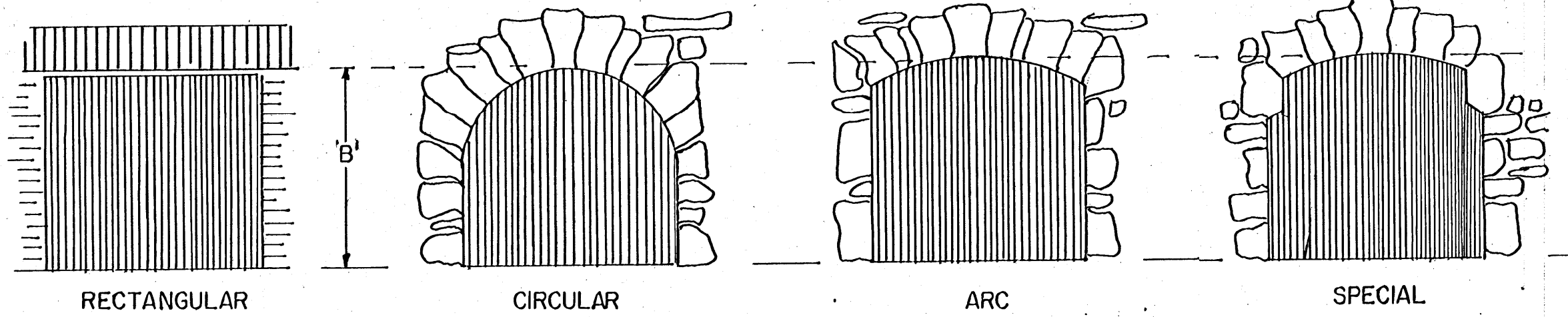
**MID-WAY**

PROJECTED INTO ROOM JUST ENOUGH TO ALLOW BUILT-IN BOOK CASES AT THE SIDES MAKES NICE OUTSIDE APPEARANCE IF ON OUTSIDE WALL

**INSIDE**

PROJECTED WHOLLY INTO ROOM, USED WHEN UNABLE TO PROJECT BACK OF WALL OR FOR EXTERNAL ARCHITECTURAL CONSIDERATIONS

**PLAN: POSITION IN WALL**



**OPENING TYPES**

DIMENSIONS													
OPENING WIDTH	OPENING HEIGHT	DEPTH	WIDTH OF BACK	VERTICAL BACKWALL	SLOPED BACKWALL	THROAT	HEIGHT OF SMOKE CHIMNEY	STANDARD ROUND FLUE LINING	STANDARD RECTANGULAR FLUE LINING	STEEL ANGLES		FOR ROOM OF APPROX. FLOOR AREA	
A	B	C	D	E	F	G	H	J	M	N	LENGTH IN.	AREA	SQ. FT.
IN.	IN.	IN.	IN.	IN.	IN.	IN.	IN.	IN.	IN. x IN.	X	Y		
30	28	16	17	14	18	8	25	6 1/2	10	8 1/2 x 13	A 42	A 36	130-225
36	30	16	23	14	20	8	28	6 1/2	12	13 x 13	A 48	A 42	225-325
42	30	16	29	14	20	8	33	6 1/2	12	13 x 15	B 54	A 48	325-450
48	33	18	33	14	23	8	40	7 1/2	13	13 x 13	B 60	B 54	450-600

COOPERATIVE EXTENSION WORK IN AGRICULTURE AND HOME ECONOMICS  
 STATE OF MISSISSIPPI  
 MISSISSIPPI STATE UNIVERSITY  
 AND  
 UNITED STATES DEPARTMENT OF AGRICULTURE COOPERATING  
**FIREPLACE CONSTRUCTION**  
 MISS '74 5997-A SHEET 1 OF 1