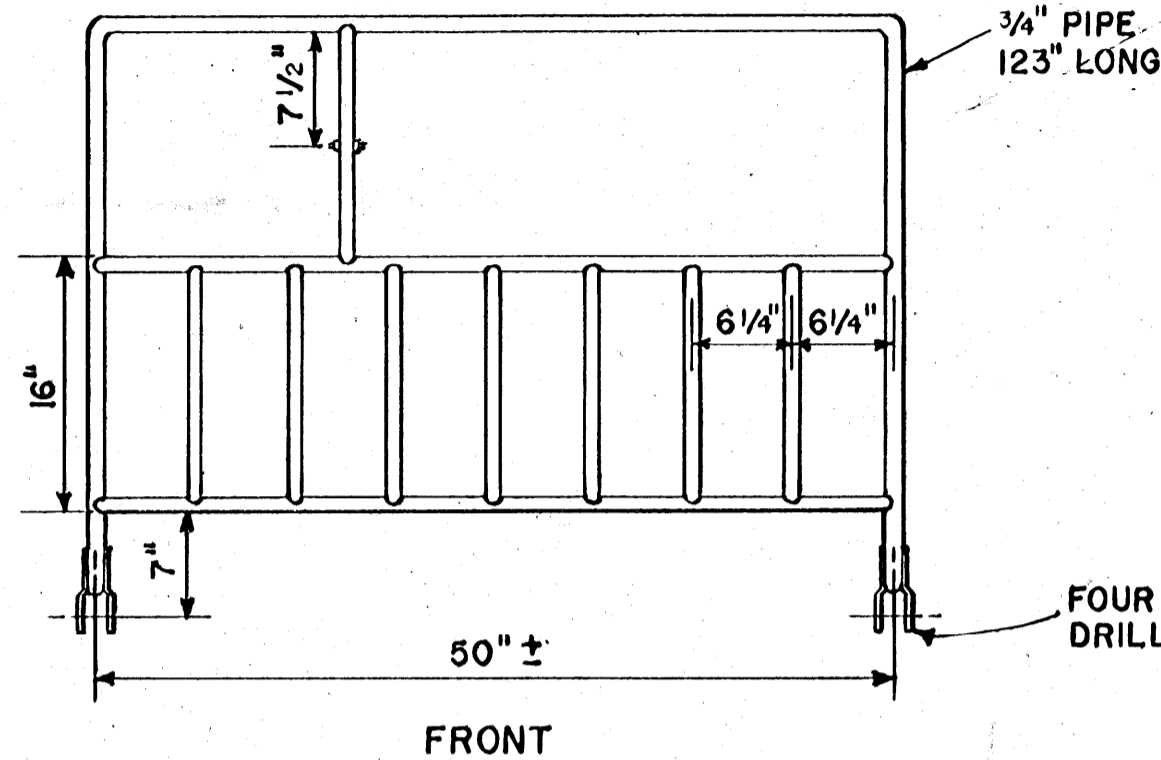
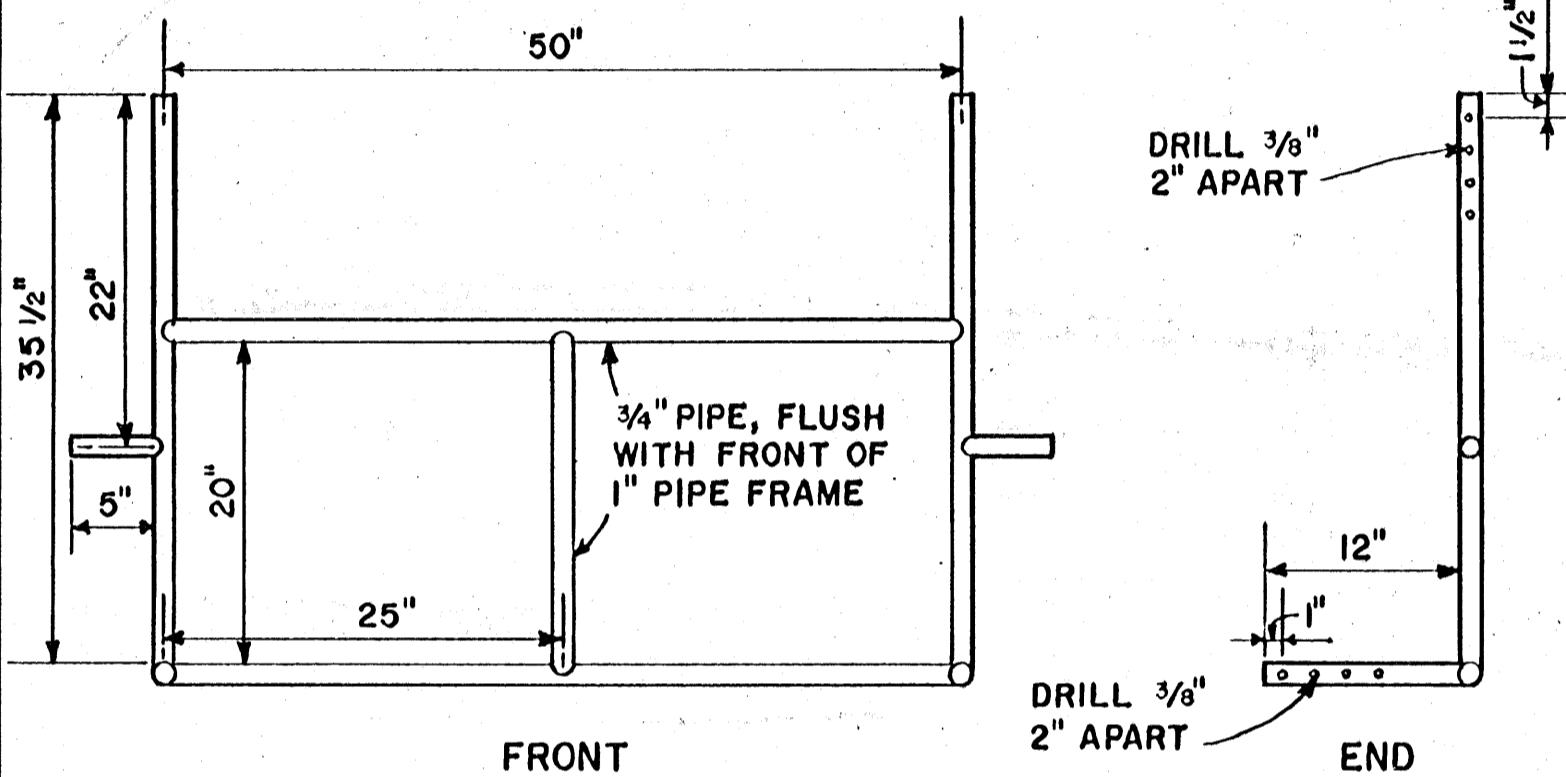


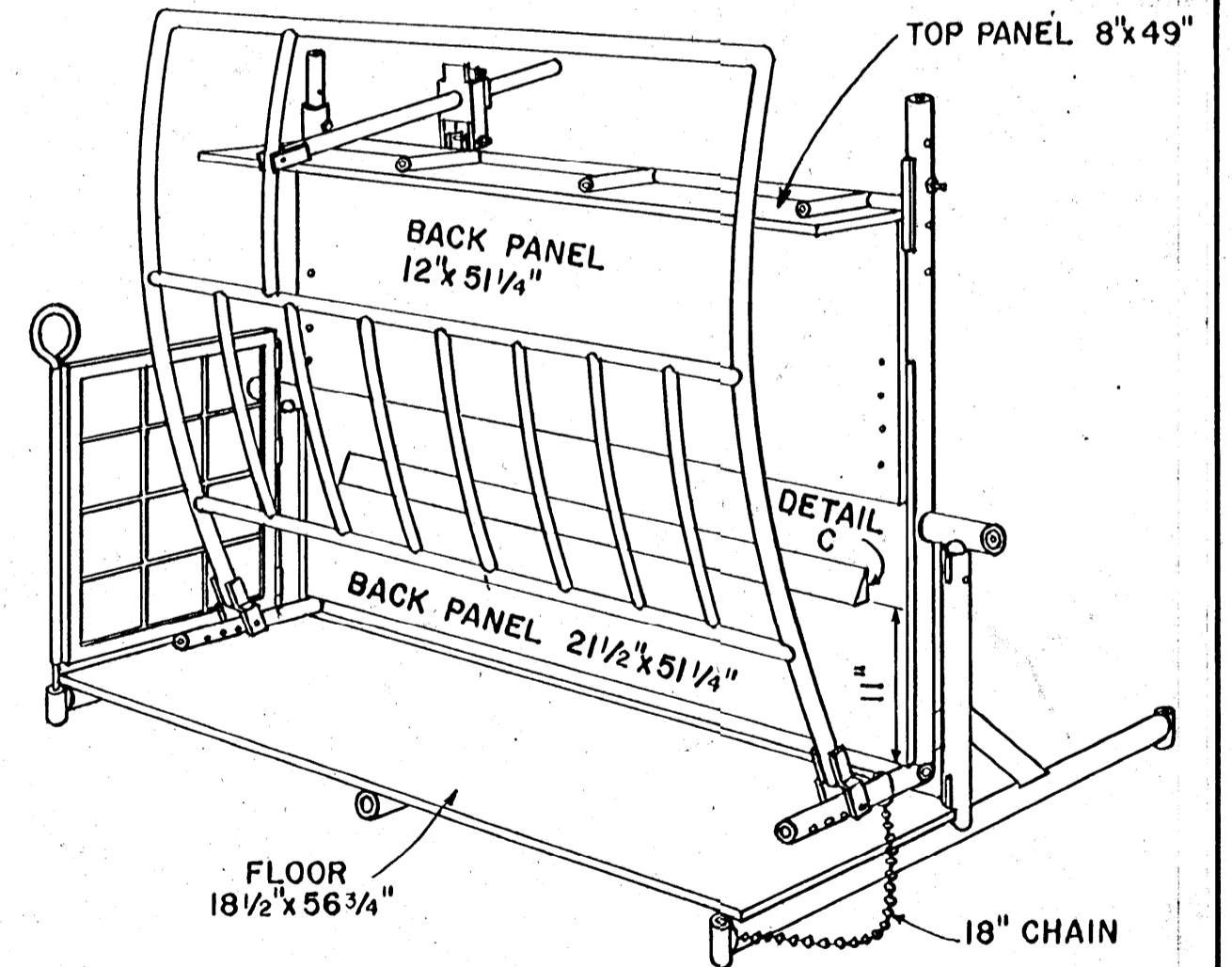
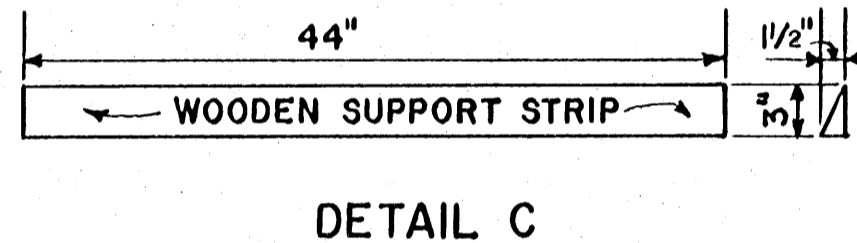
TOP PANEL FRAME  
ALL 3/4" PIPE EXCEPT AS NOTED



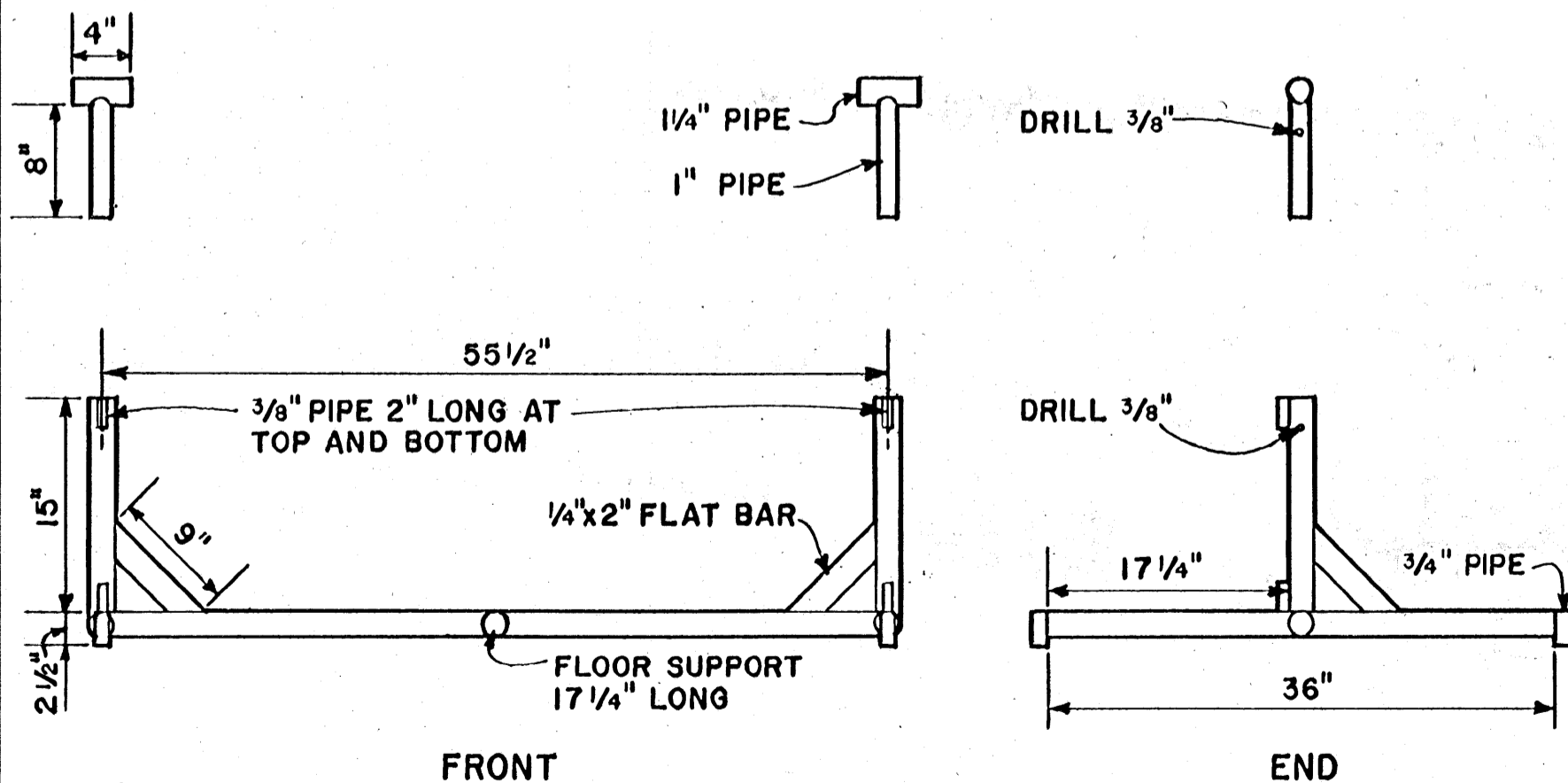
SQUEEZE PANEL  
ALL 1/2" PIPE EXCEPT AS NOTED



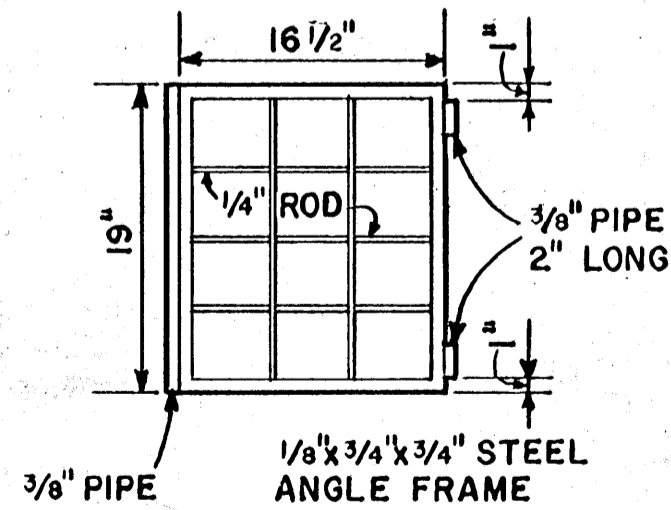
BACK PANEL FRAME  
ALL 1" PIPE EXCEPT AS NOTED



PERSPECTIVE



BASE FRAME  
ALL 1/4" PIPE EXCEPT AS NOTED



CHUTE GATE

NOTE: ALL PIPES ARE STANDARD SIZE  
ALL JOINTS ARE WELDED

PANELS AND FLOOR ARE 1/2" EXTERIOR PLYWOOD,  
FASTENED WITH 1/4" CARRIAGE BOLTS  
USE 3/16" MACHINE BOLTS IN 3/8" HOLES

REVISED APRIL '70

COOPERATIVE EXTENSION WORK IN  
AGRICULTURE AND HOME ECONOMICS  
STATE OF MISSISSIPPI  
MISSISSIPPI STATE UNIVERSITY  
AND  
UNITED STATES DEPARTMENT OF AGRICULTURE COOPERATING

TILTING SQUEEZE FOR SHEEP

ORE. '67 EX. 6006 SHEET 1 OF 1