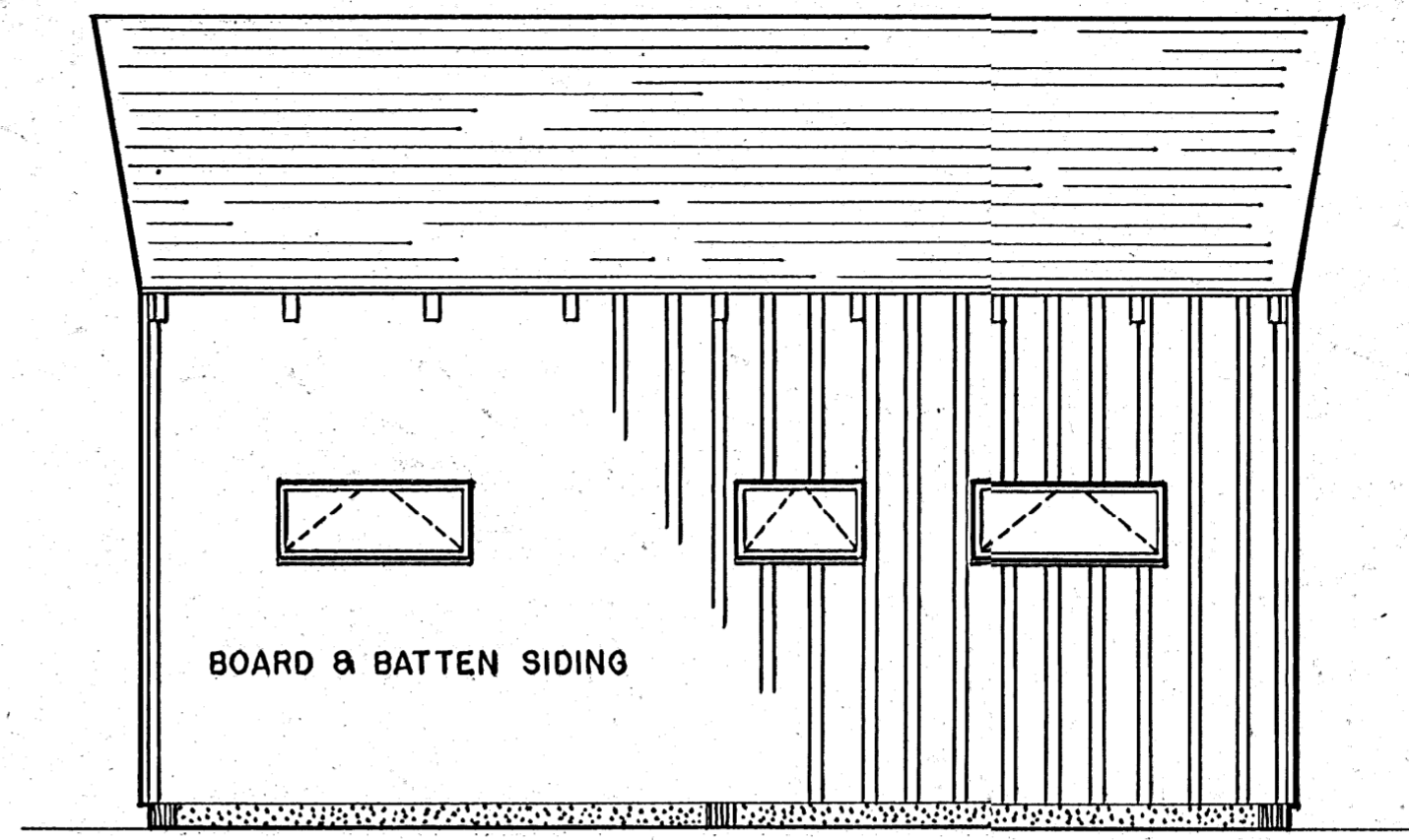
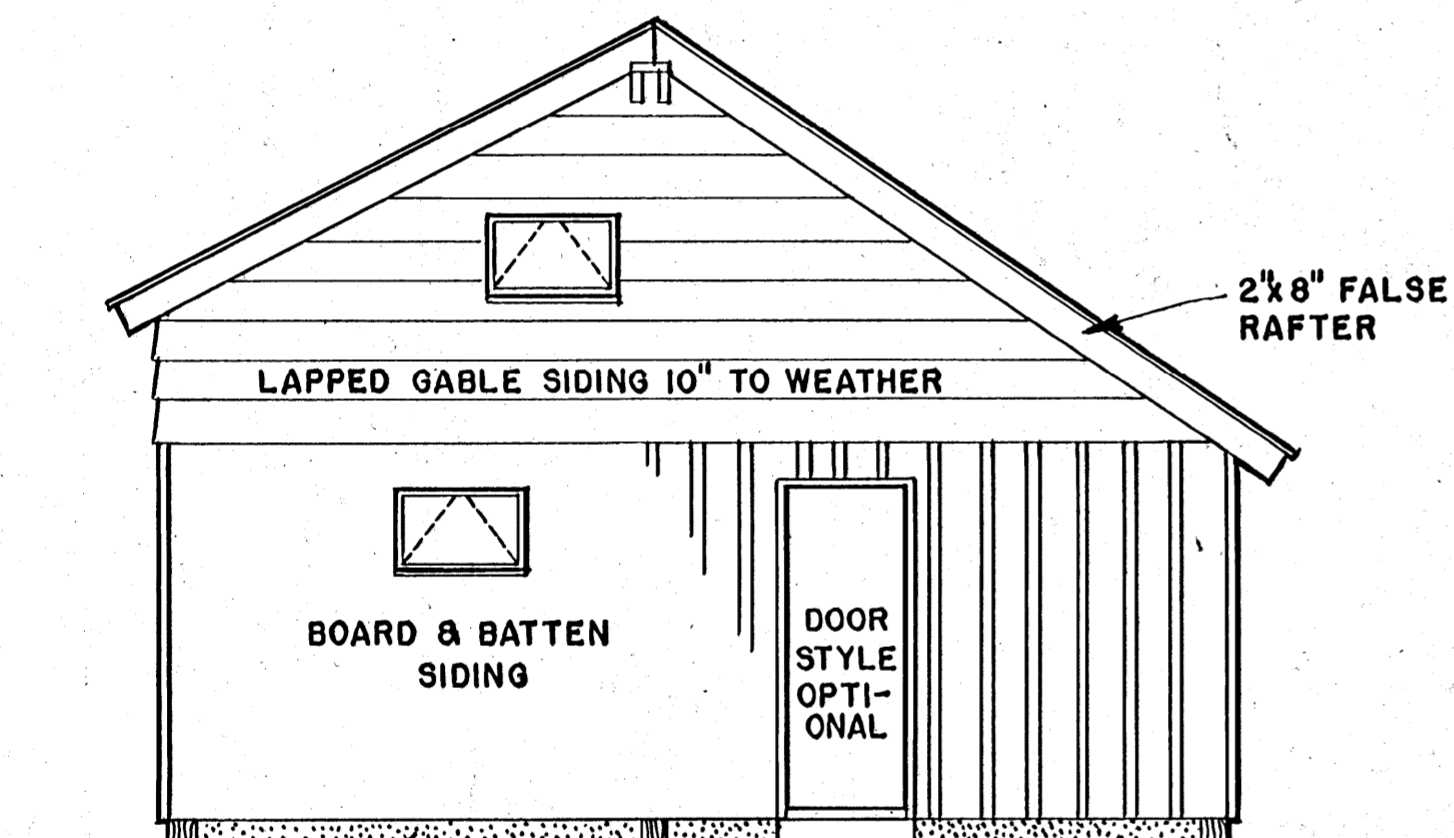


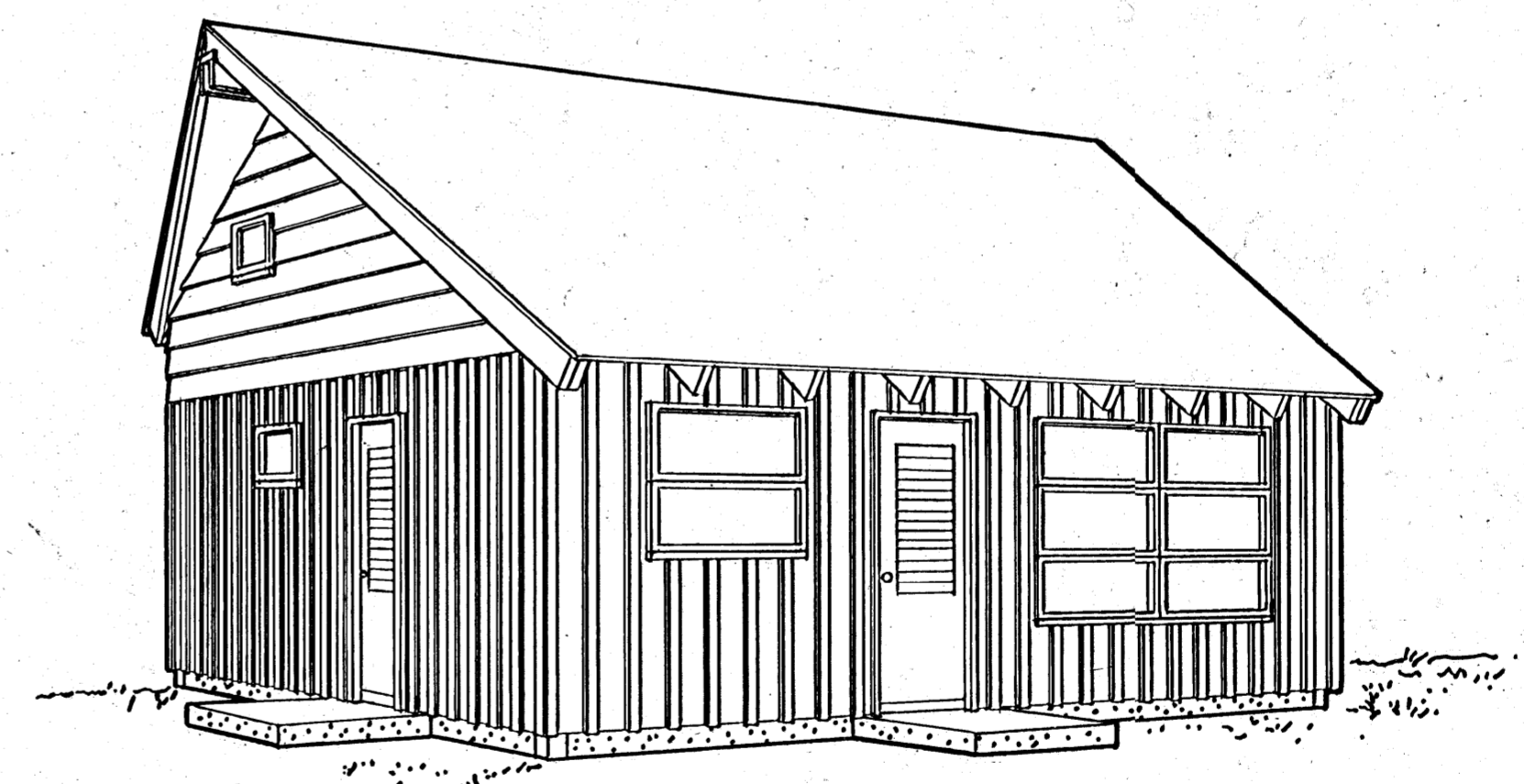
**FRONT ELEVATION**  
SCALE 1/4" = 1'-0"



**REAR ELEVATION**  
SCALE 1/4" = 1'-0"

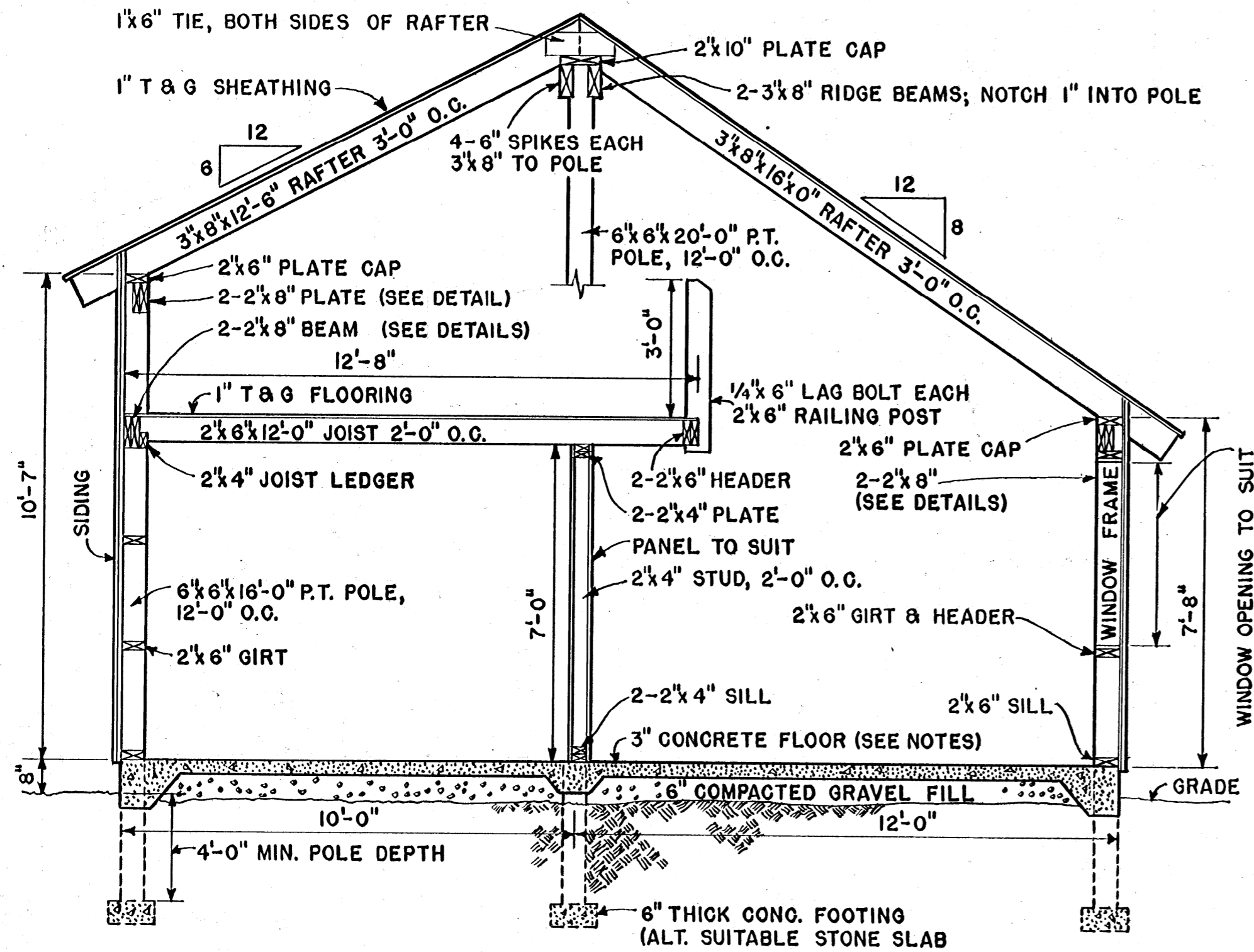


**SIDE ELEVATION**  
SCALE 1/4" = 1'-0"

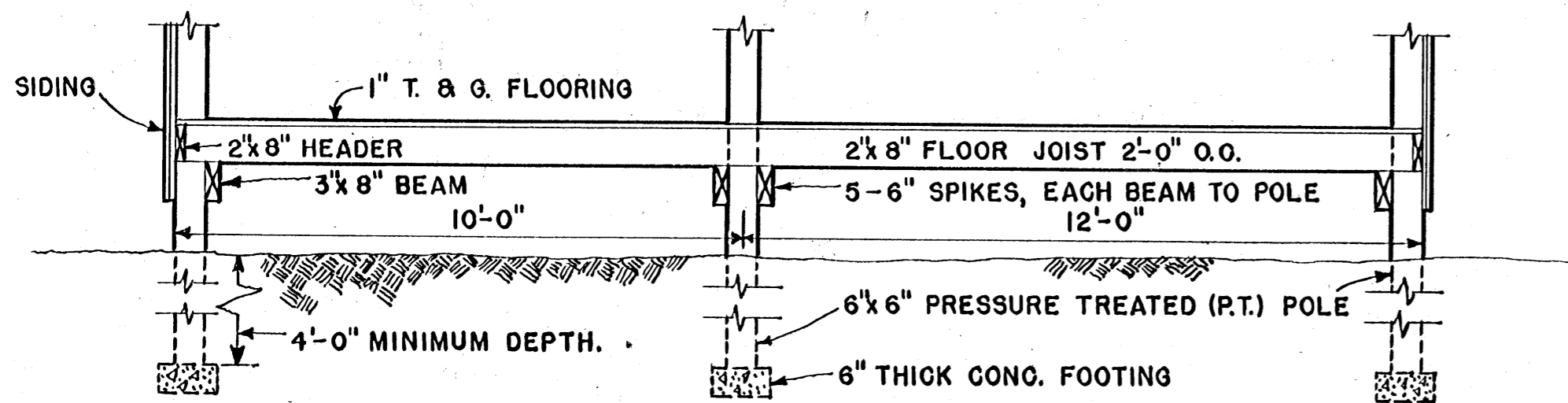


**PERSPECTIVE**

COOPERATIVE EXTENSION WORK IN AGRICULTURE AND HOME ECONOMICS STATE OF MISSISSIPPI MISSISSIPPI STATE UNIVERSITY AND UNITED STATES DEPARTMENT OF AGRICULTURE COOPERATING		
<b>DORMITORY LOFT CABIN</b>		
MASS. '67	EX. 6013	SHEET 1 OF 3



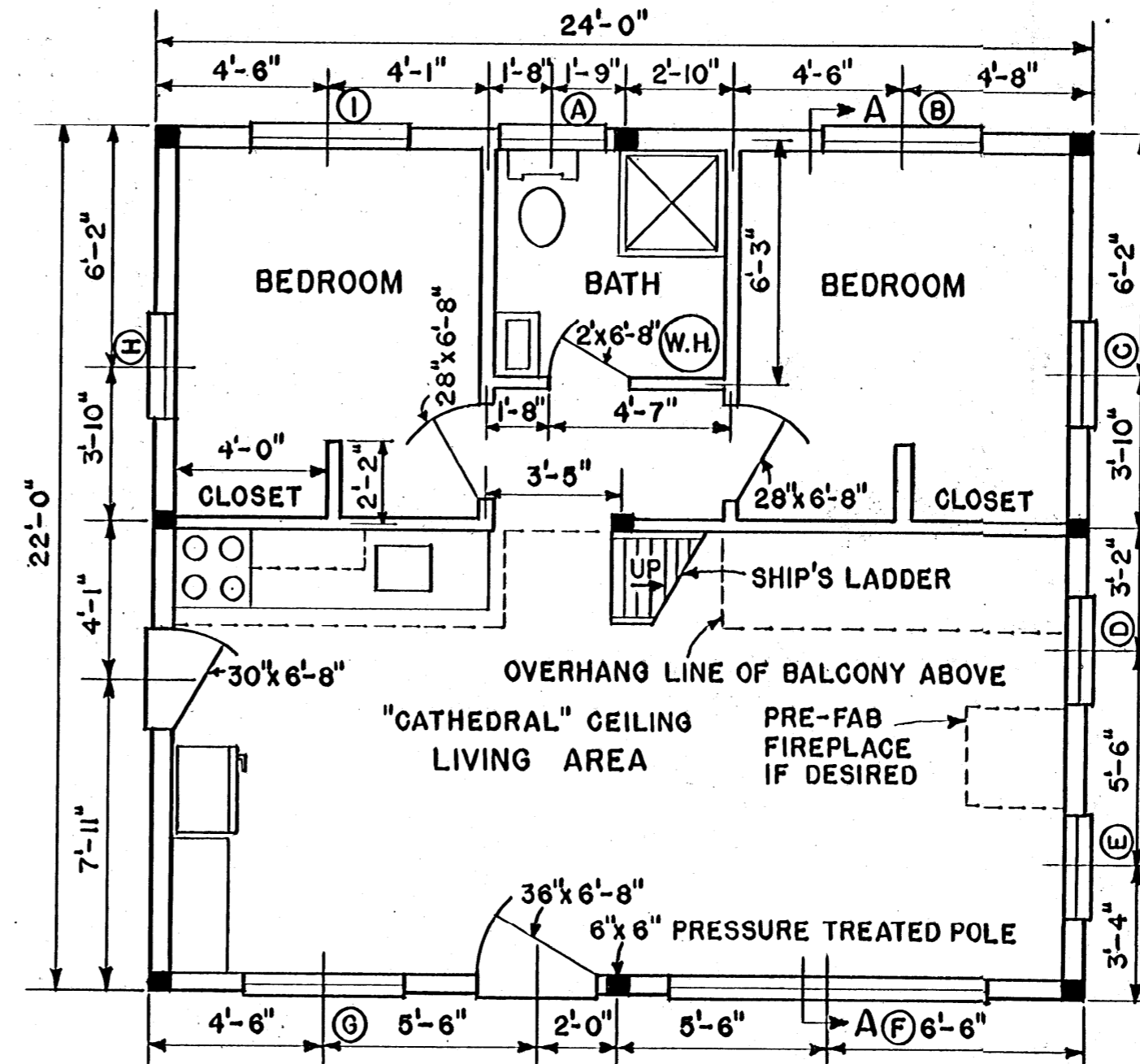
SECTION "A-A"  
 SCALE 3/8"=1'-0"



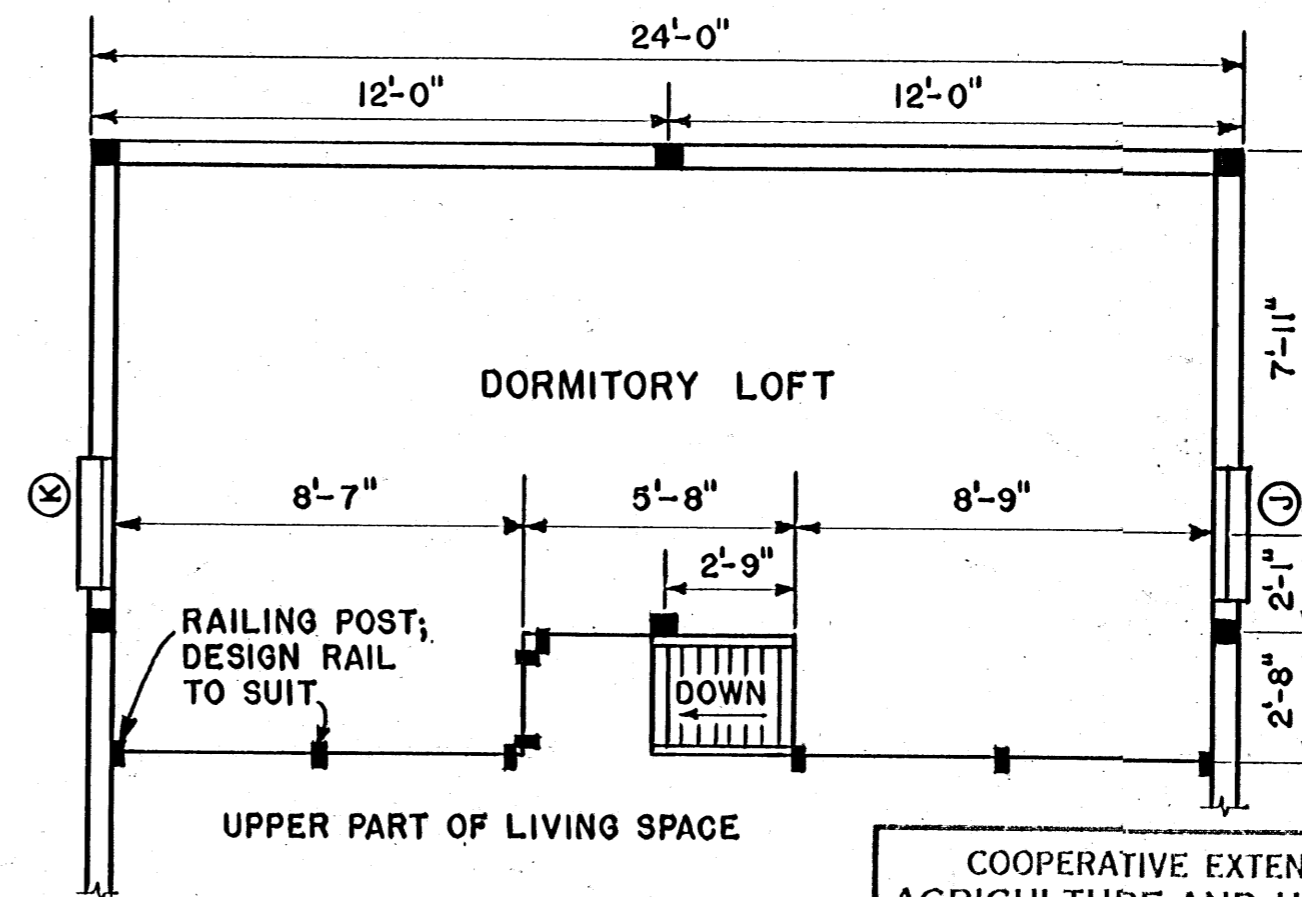
ALTERNATE FLOOR SECTION  
 SCALE 3/8"=1'-0"

AWNING WINDOW SCHEDULE					
WINDOW	UNIT SIZE	NO. REQ'D	WINDOW	UNIT SIZE	NO. REQ'D
A	1'-8" x 2'-8"	1	G	1'-8" x 4'-1"	2
B	1'-8" x 4'-1"	1	H	1'-8" x 2'-8"	1
C	1'-8" x 2'-8"	1	I	1'-8" x 4'-1"	1
D	1'-8" x 2'-8"	1	J	1'-8" x 2'-8"	1
E	1'-8" x 2'-8"	1	K	1'-8" x 2'-8"	1
F	1'-8" x 4'-1"	6			

ALL AWNING WINDOW UNIT SIZES ARE APPROXIMATE.  
 OTHER WINDOW STYLES OR SIZES MAY BY SUBSTITUTED.



PLAN  
 SCALE 1/4"=1'-0"

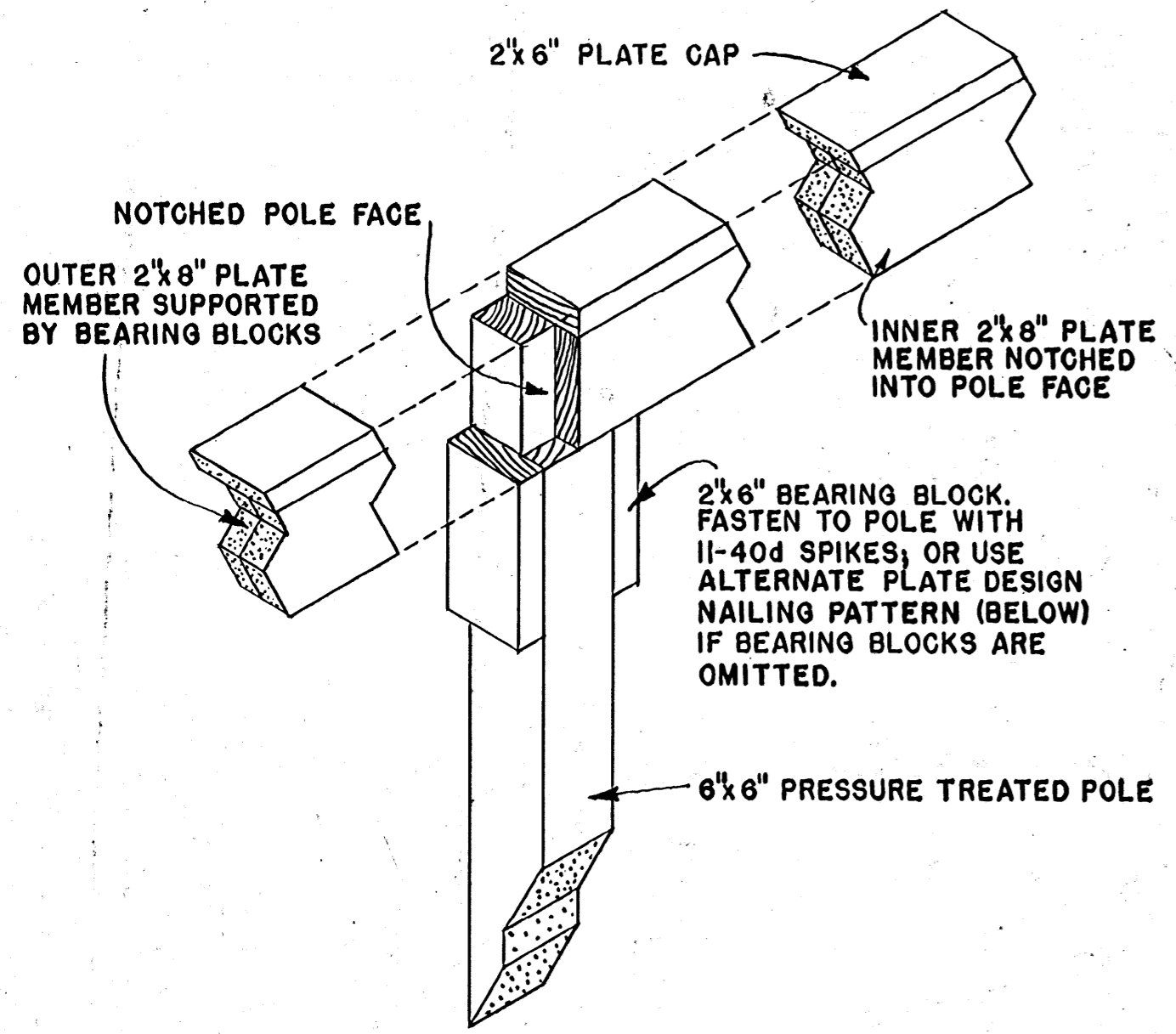


LOFT PLAN  
 SCALE 1/4"=1'-0"

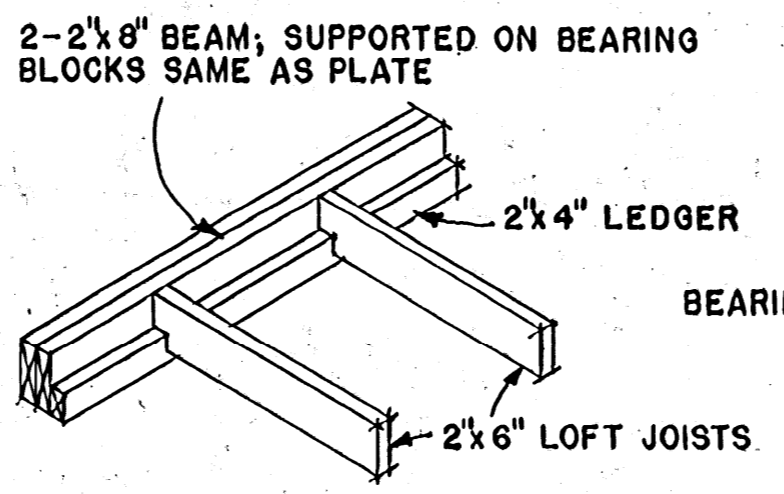
COOPERATIVE EXTENSION WORK IN  
 AGRICULTURE AND HOME ECONOMICS  
 STATE OF MISSISSIPPI  
 MISSISSIPPI STATE UNIVERSITY  
 AND  
 UNITED STATES DEPARTMENT OF AGRICULTURE COOPERATING

**DORMITORY LOFT CABIN**

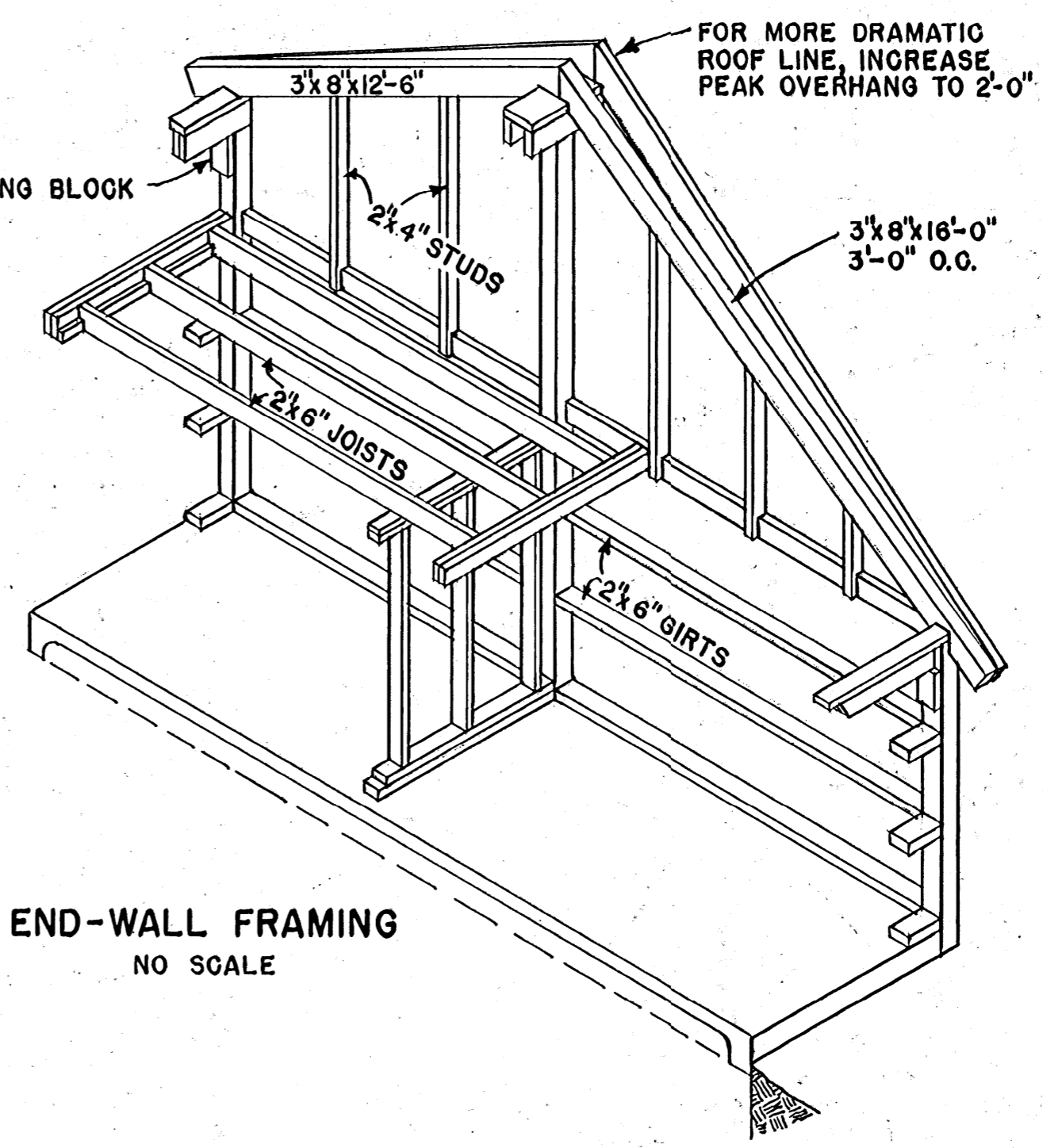
MASS: 67 EX: 6013 SHEET 2 OF 3



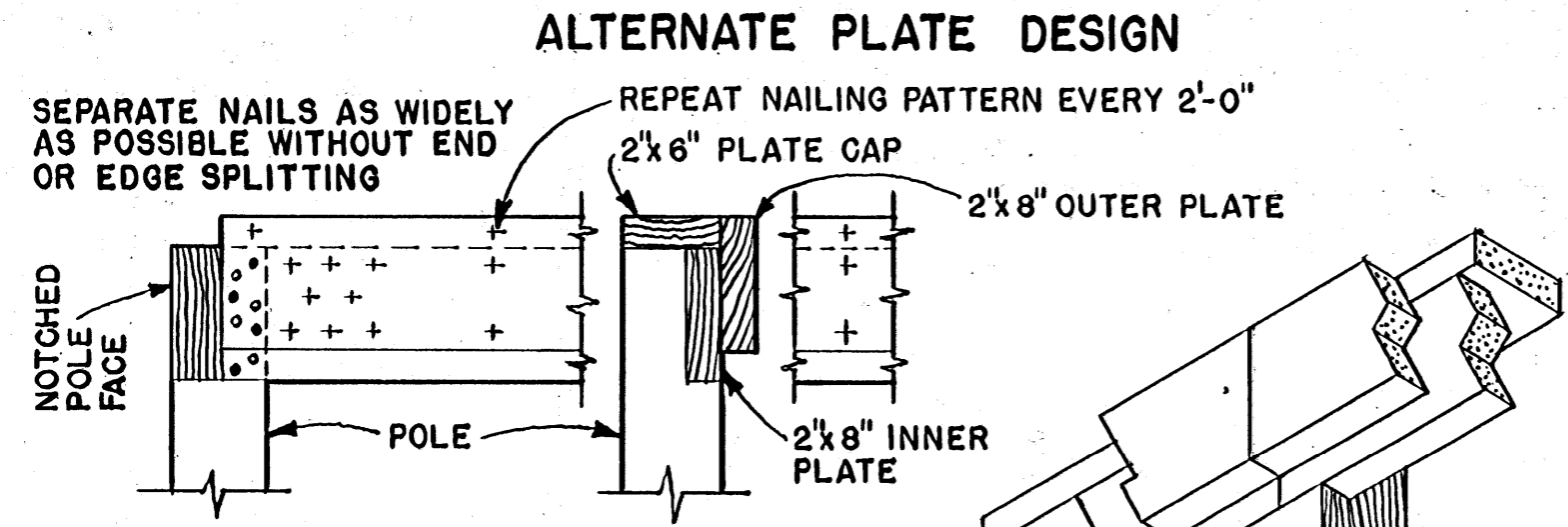
**PLATE POLE DETAIL**  
NO SCALE



**JOIST SUPPORT DETAIL**  
NO SCALE



**END-WALL FRAMING**  
NO SCALE



**ALTERNATE PLATE DESIGN**

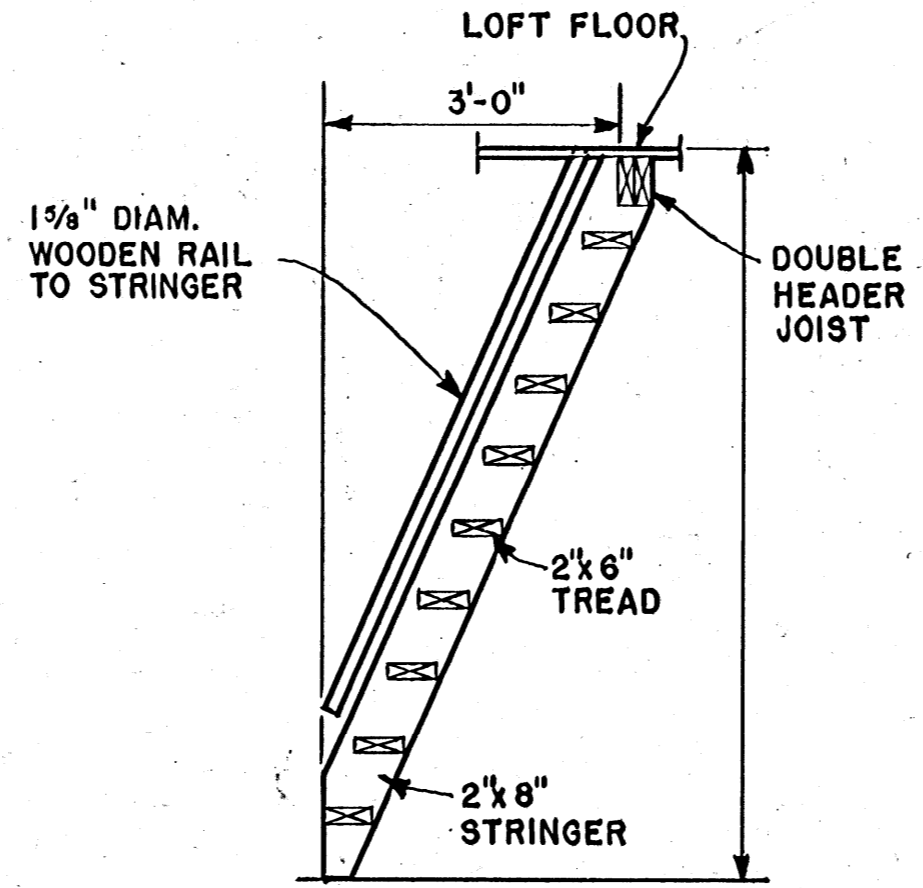
SEPARATE NAILS AS WIDELY AS POSSIBLE WITHOUT END OR EDGE SPLITTING

REPEAT NAILING PATTERN EVERY 2'-0"

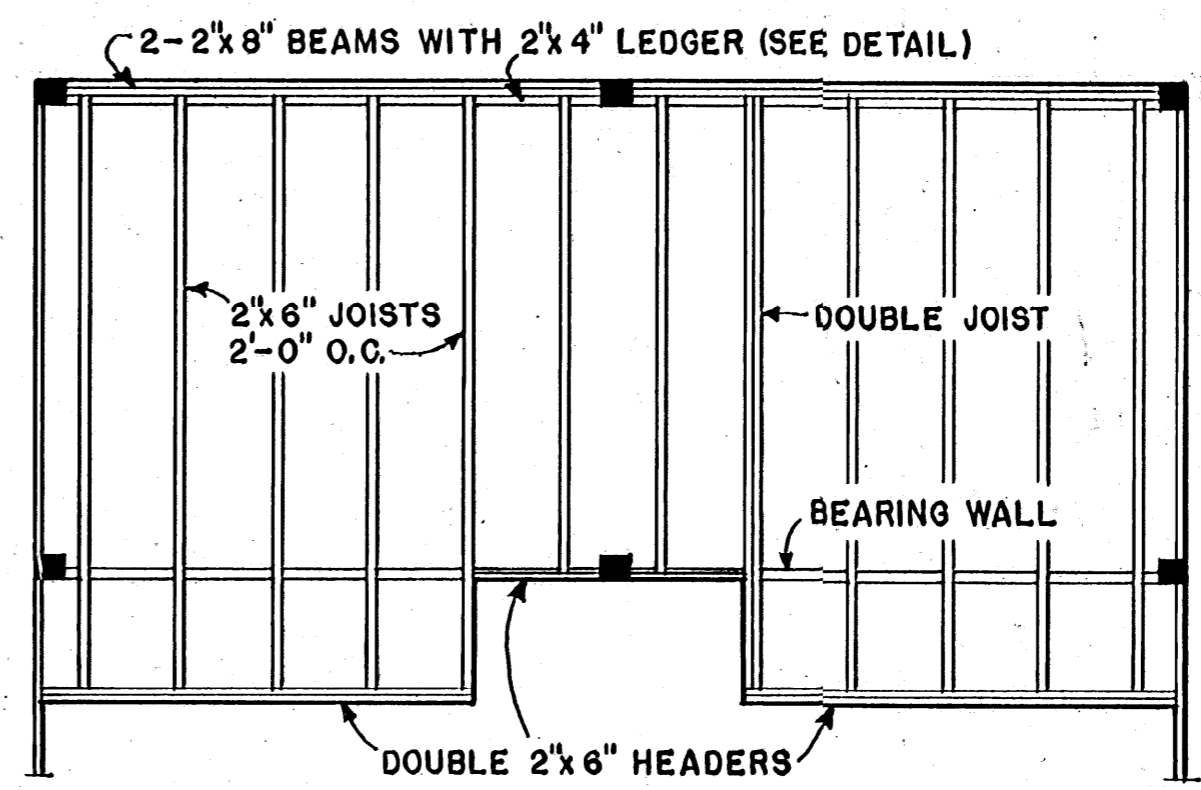
- LEGEND**
- 6" SPIKE USE 4- OUTER 2x8" TO POLE
  - 4" NAIL USE 4- INNER 2x8" TO POLE
  - + 4" NAIL USE NUMBERS AS SHOWN

**PLATE NAILING DETAIL**  
NO SCALE

**PLATE POLE DETAIL**  
NO SCALE



**SHIPS LADDER**  
SCALE 1/2"=1'-0"



**LOFT FRAMING PLAN**  
SCALE 1/4"=1'-0"

**CONSTRUCTION NOTES**

1. THIS DESIGN IS BASED ON ROUGH-SAWN EASTERN HEMLOCK.
2. DESIGN ROOF LOAD- 40 LBS. PER. SQ. FT.
3. DESIGN FLOOR LOAD (WOOD FRAME) 35 LBS. PER. SQ. FT.
4. CONCRETE SLAB FLOOR HAS THICKENED EDGE 12" DEEP, 8" WIDE ALONG BOTTOM EDGE; CONCRETE MIX: 3/4" MAXIMUM AGGREGATE SIZE, 6 1/2 SACKS OF CEMENT PER CUBIC YARD, AND 6 GAL. WATER CEMENT RATIO.
5. FOR CONCRETE SLABS ON OTHER THAN WELL DRAINED SOIL, WELL COMPACTED, USE 6x6"-NO. 10 WIRE REINFORCING MESH.
6. SPECIFIED POLE LENGTHS ARE FOR CONCRETE SLAB DESIGN ONLY. LONGER POLES ARE REQUIRED FOR WOOD FRAME FLOOR DESIGN; LENGTH OF POLE IS DEPENDENT ON SLOPE OF BUILDING SITE AND SETTING POLE IN GROUND TO MAX. DEPTH OR FIRM FOOTING.
7. CONVENTIONAL STUD FRAME CONSTRUCTION ON MASONRY FOUNDATION MAY BE SUBSTITUTED FOR POLE FRAME IF DESIRED.
8. INTERIOR AND EXTERIOR FINISH IS LEFT TO BUILDER'S DISCRETION, NO ATTEMPT WAS MADE TO PROVIDE MODULAR INTERIOR DIMENSIONS; SLIGHT CHANGES IN GIRT SPACING MAY BE DESIREABLE IF INTERIOR FINISHING IS DESIRED.

COOPERATIVE EXTENSION WORK IN  
AGRICULTURE AND HOME ECONOMICS  
STATE OF MISSISSIPPI  
MISSISSIPPI STATE UNIVERSITY  
AND  
UNITED STATES DEPARTMENT OF AGRICULTURE COOPERATING

**DORMITORY LOFT CABIN**

MASS. '67 EX. 6013 SHEET 3 OF 3