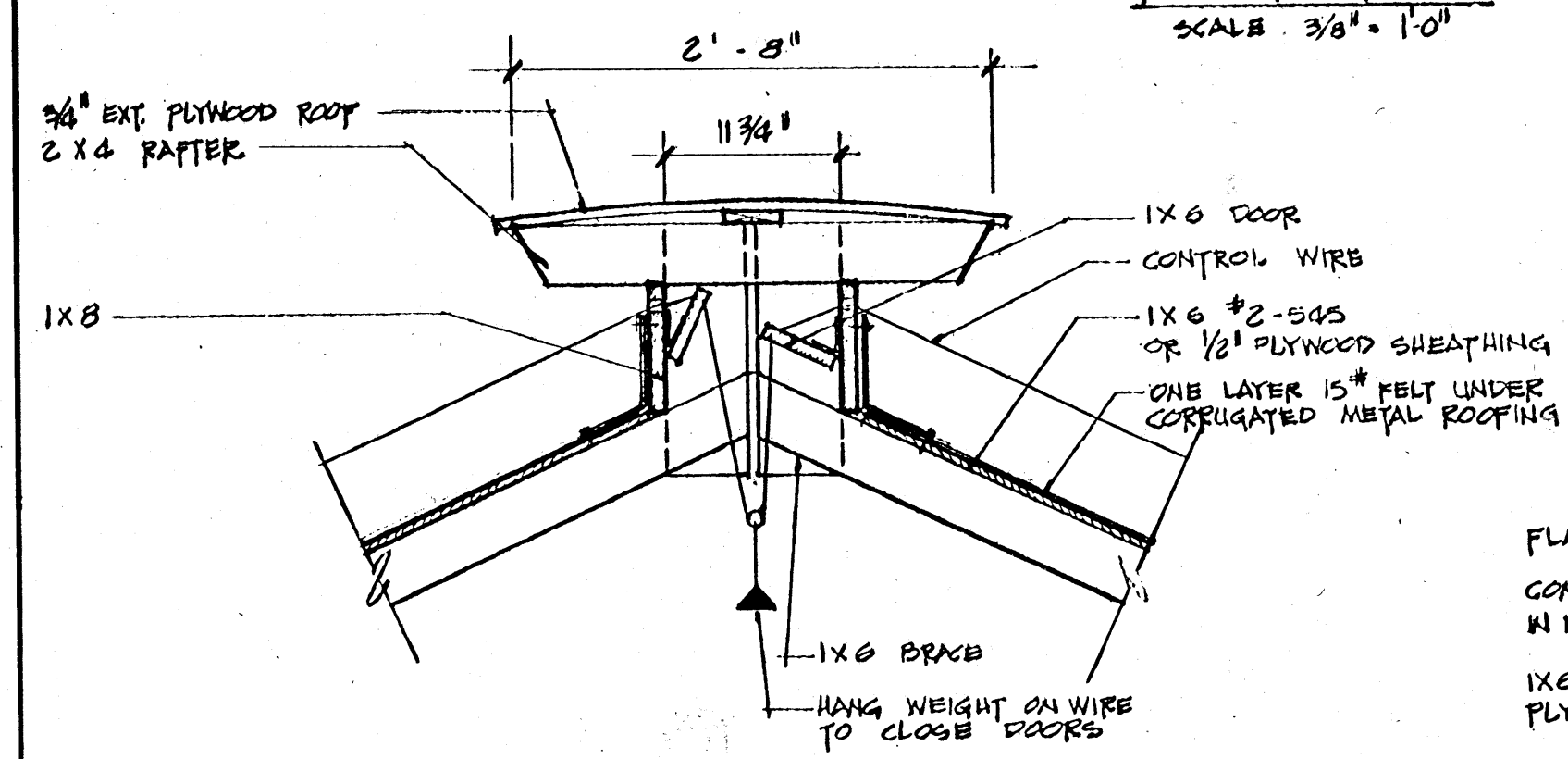
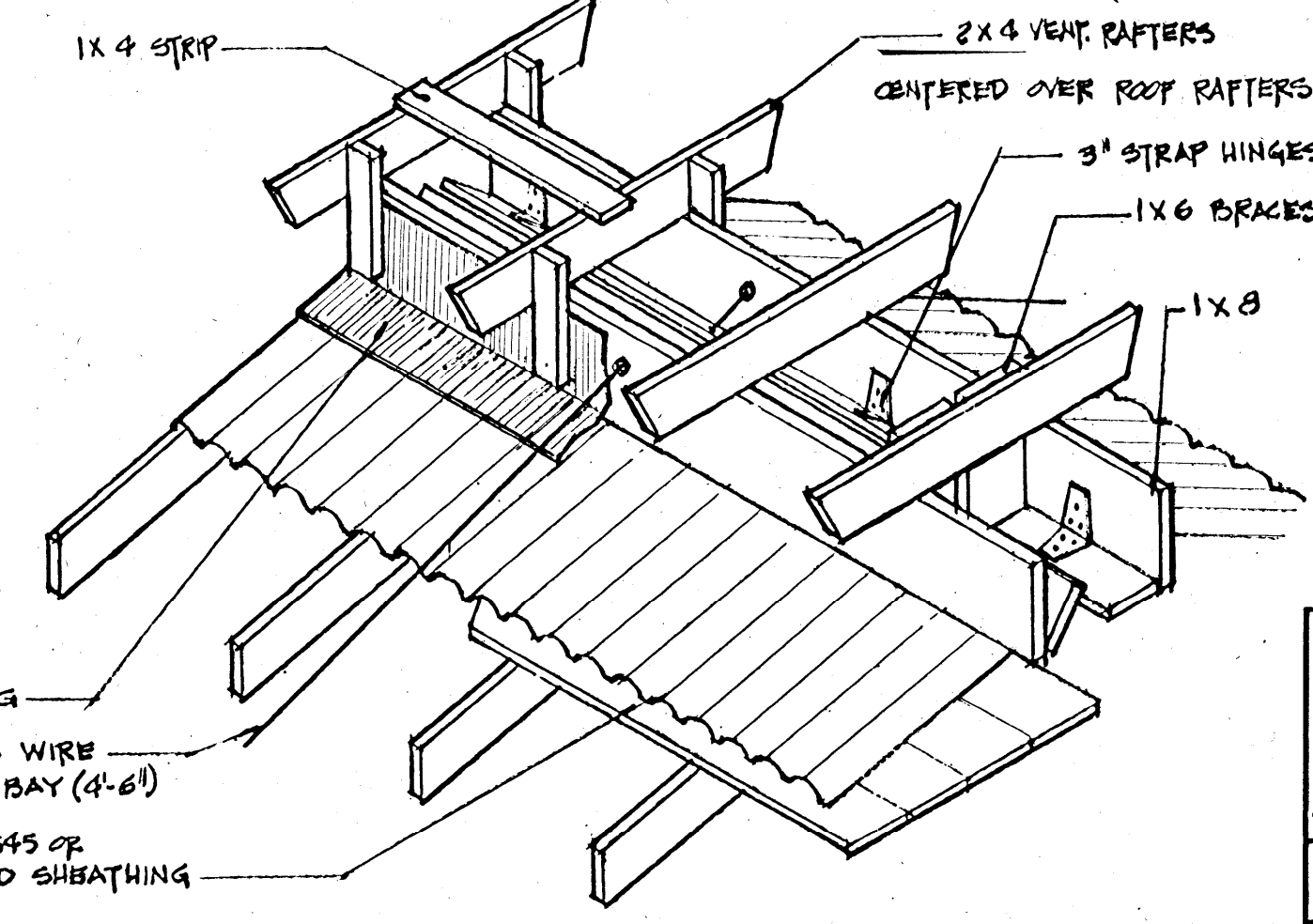
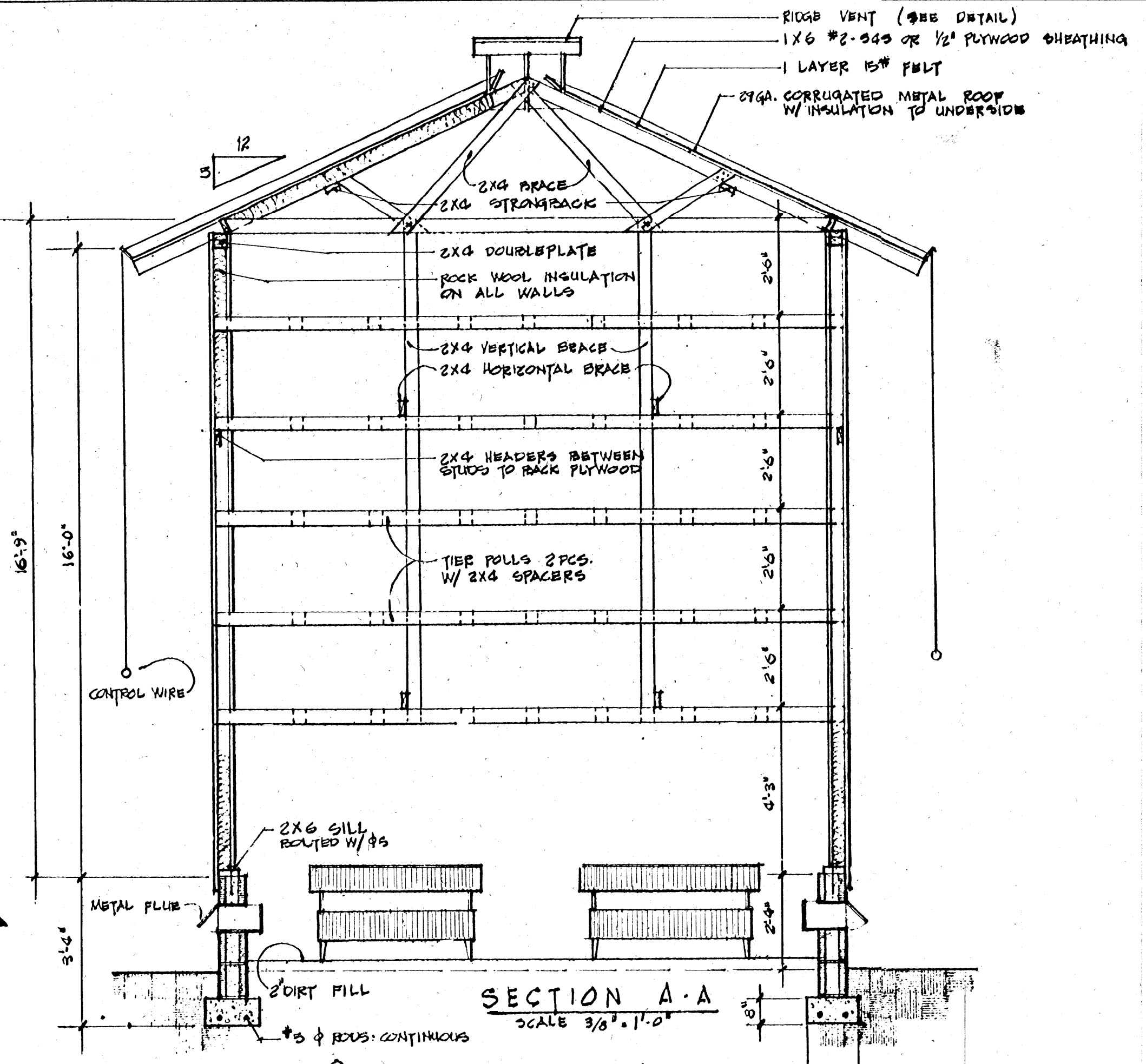


FLOOR PLAN
SCALE 3/8" = 1'-0"

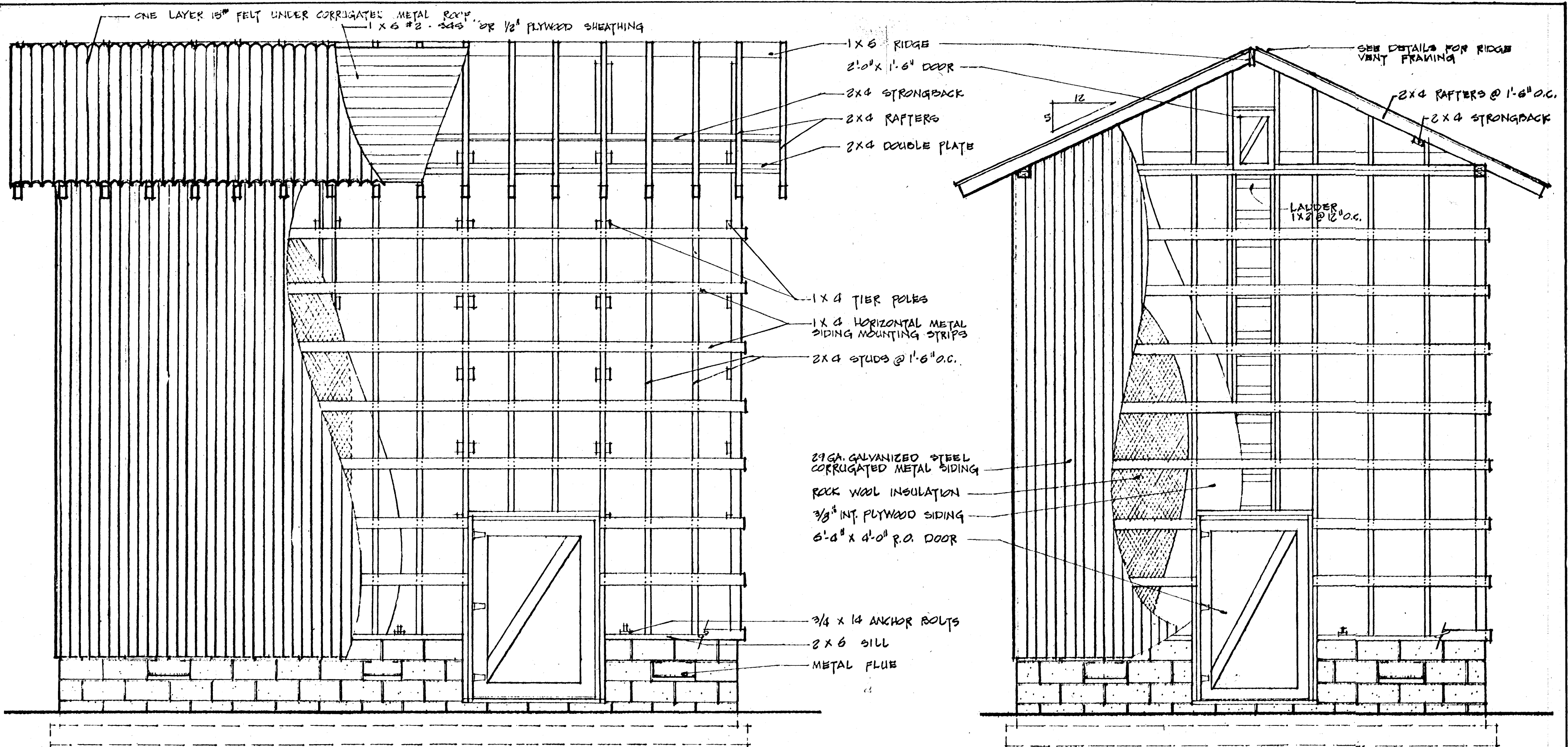


CROSS SECTION
SCALE 1" = 1'-0"



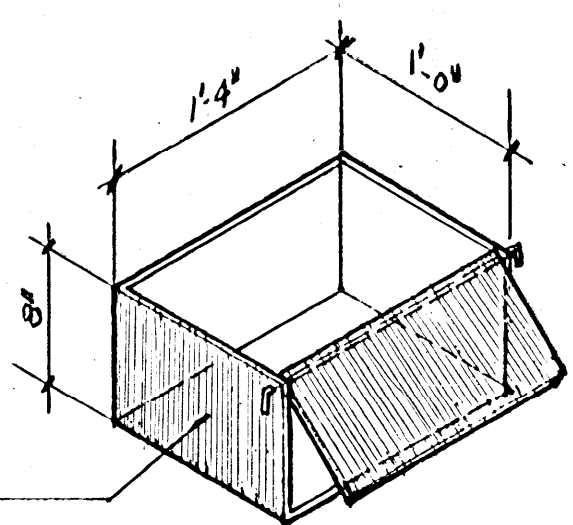
VENTILATOR FRAMING
SCALE 3/4" = 1'-0"

UNIV. OF FLA. PLAN 237
 COOPERATIVE EXTENSION WORK IN
 AGRICULTURE AND HOME ECONOMICS
 STATE OF MISSISSIPPI
 MISSISSIPPI STATE UNIVERSITY
 AND
 UNITED STATES DEPARTMENT OF AGRICULTURE COOPERATING
TOBACCO BARN
5 ROOM
 FLA. '67 EX. 6017 SHEET 1 OF 2

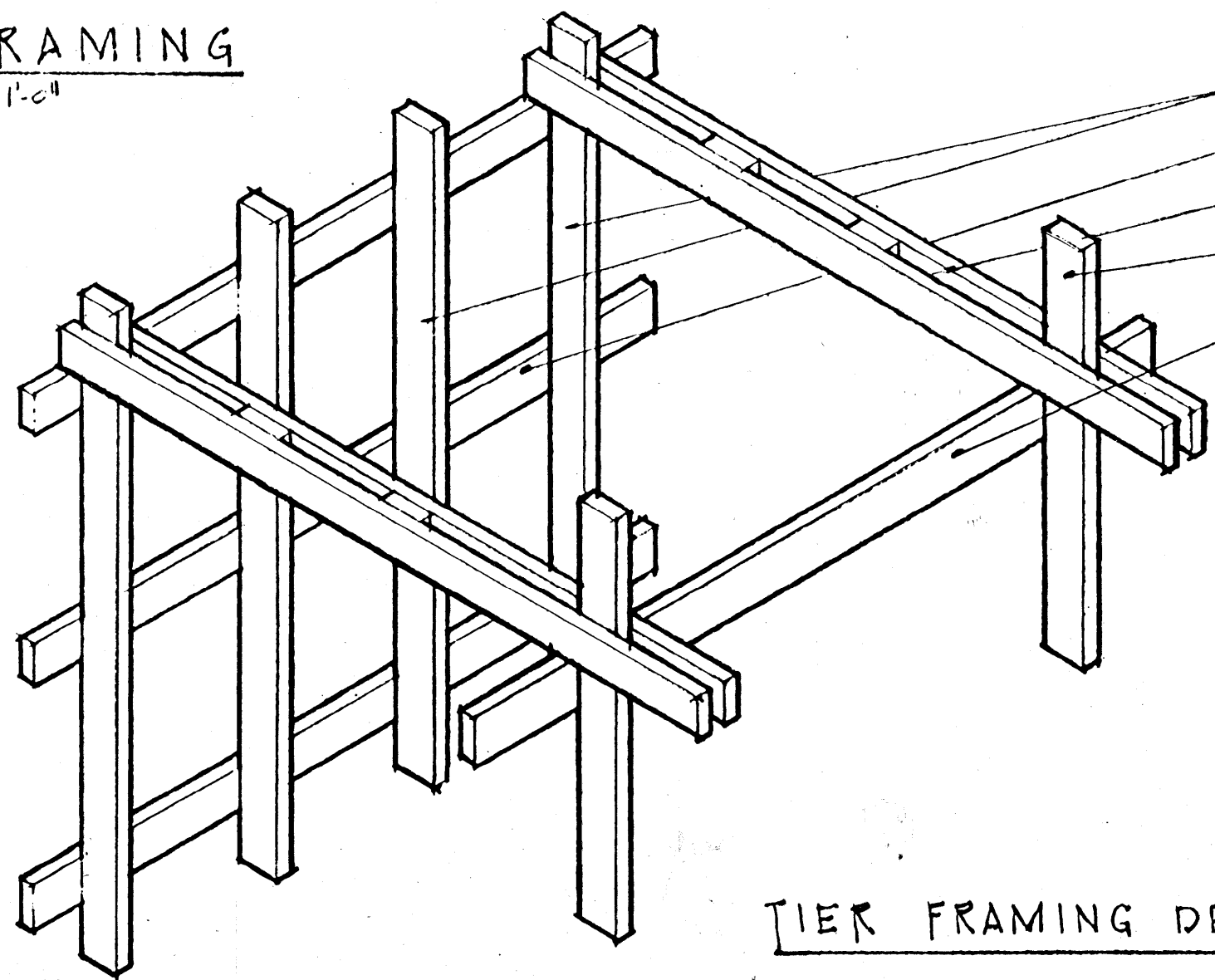


SIDE FRAMING
SCALE 3/8" = 1'-0"

END FRAMING
SCALE 3/8" = 1'-0"



METAL FLUE



TIER FRAMING DETAIL

- 2 X 4 STUDS @ 1'-6" O.C.
- 1 X 4 HORIZONTAL BRACING @ 2'-0" O.C.
- 1 X 4 TIER POLES W/ SPACERS
- 2 X 4 VERTICAL BRACING
- 2 X 4 HORIZONTAL BRACING

COOPERATIVE EXTENSION WORK IN
AGRICULTURE AND HOME ECONOMICS
STATE OF MISSISSIPPI
MISSISSIPPI STATE UNIVERSITY
AND
UNITED STATES DEPARTMENT OF AGRICULTURE COOPERATING

TOBACCO BARN		
5 ROOM		
FLA. '67	EX. 6017	SHEET 2 OF 2