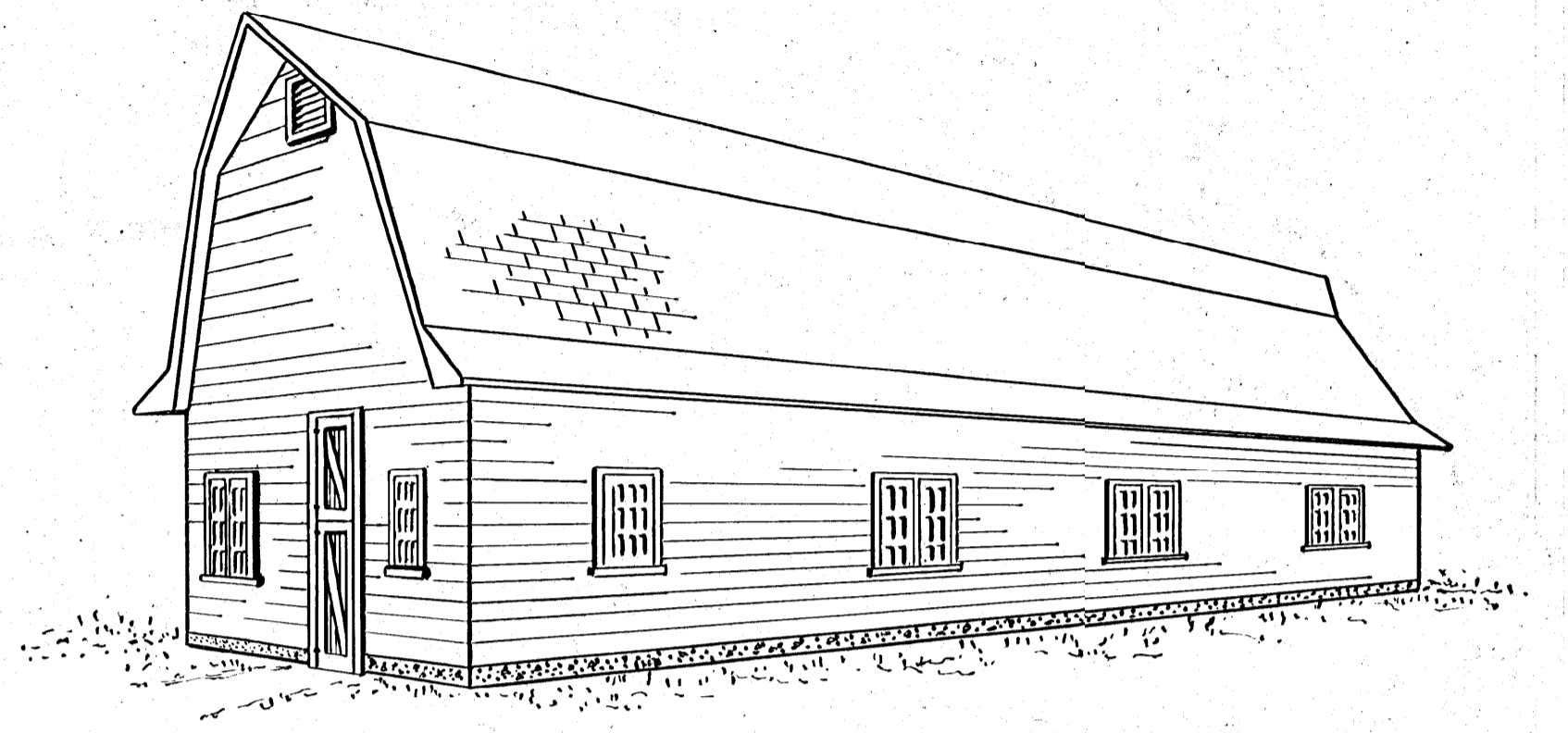
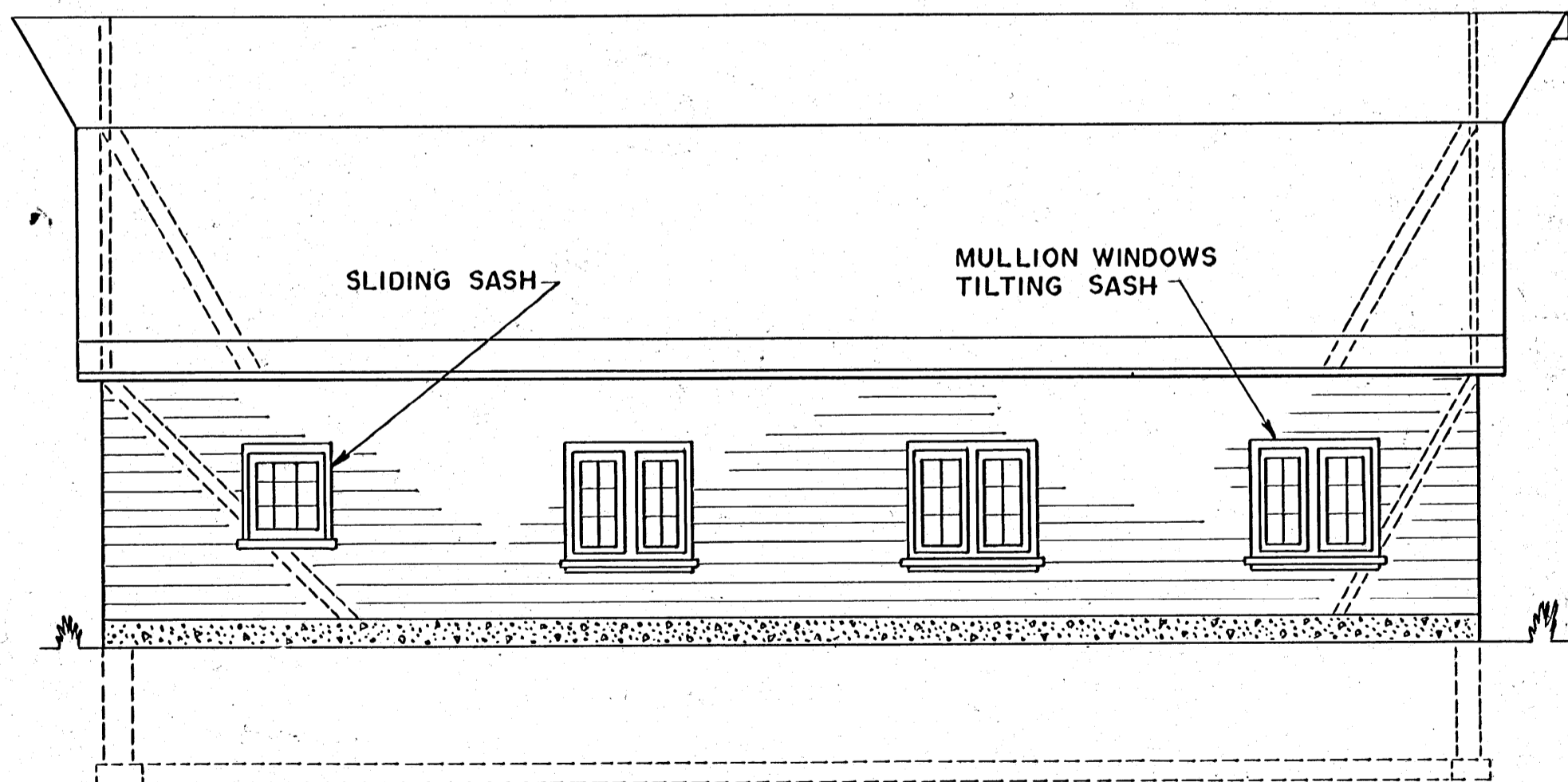


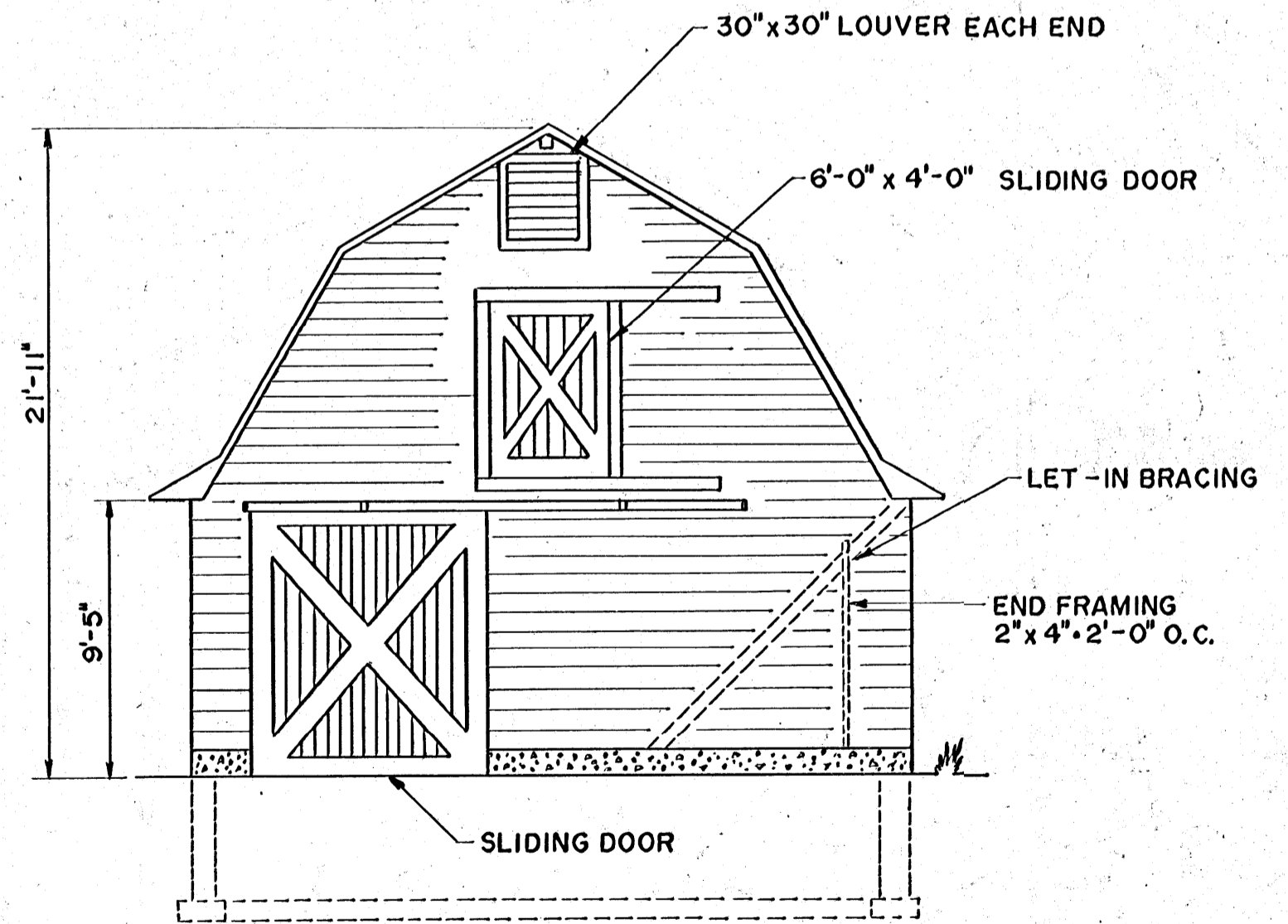
PLAN



PERSPECTIVE



SIDE ELEVATION



END ELEVATION

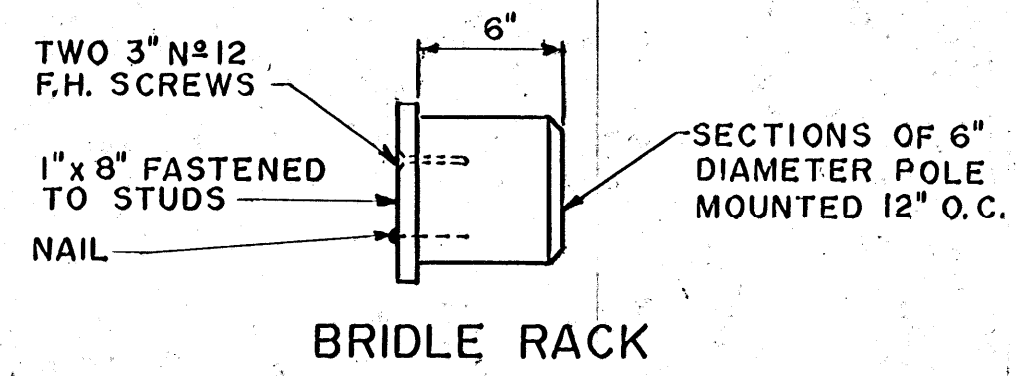
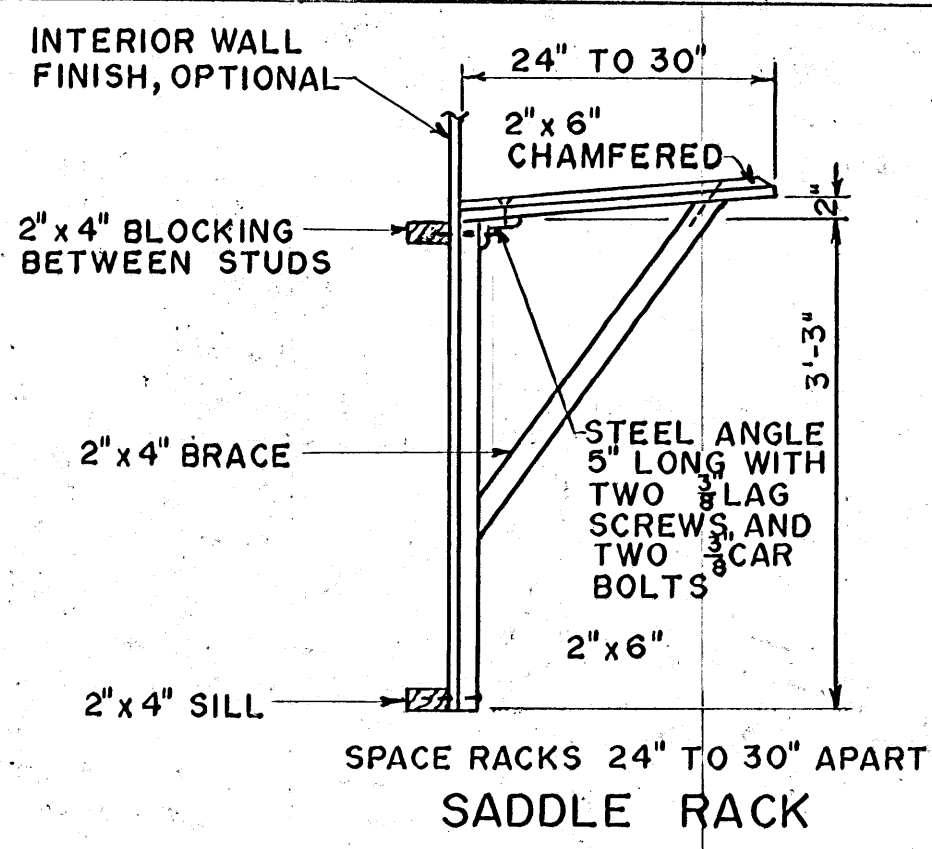
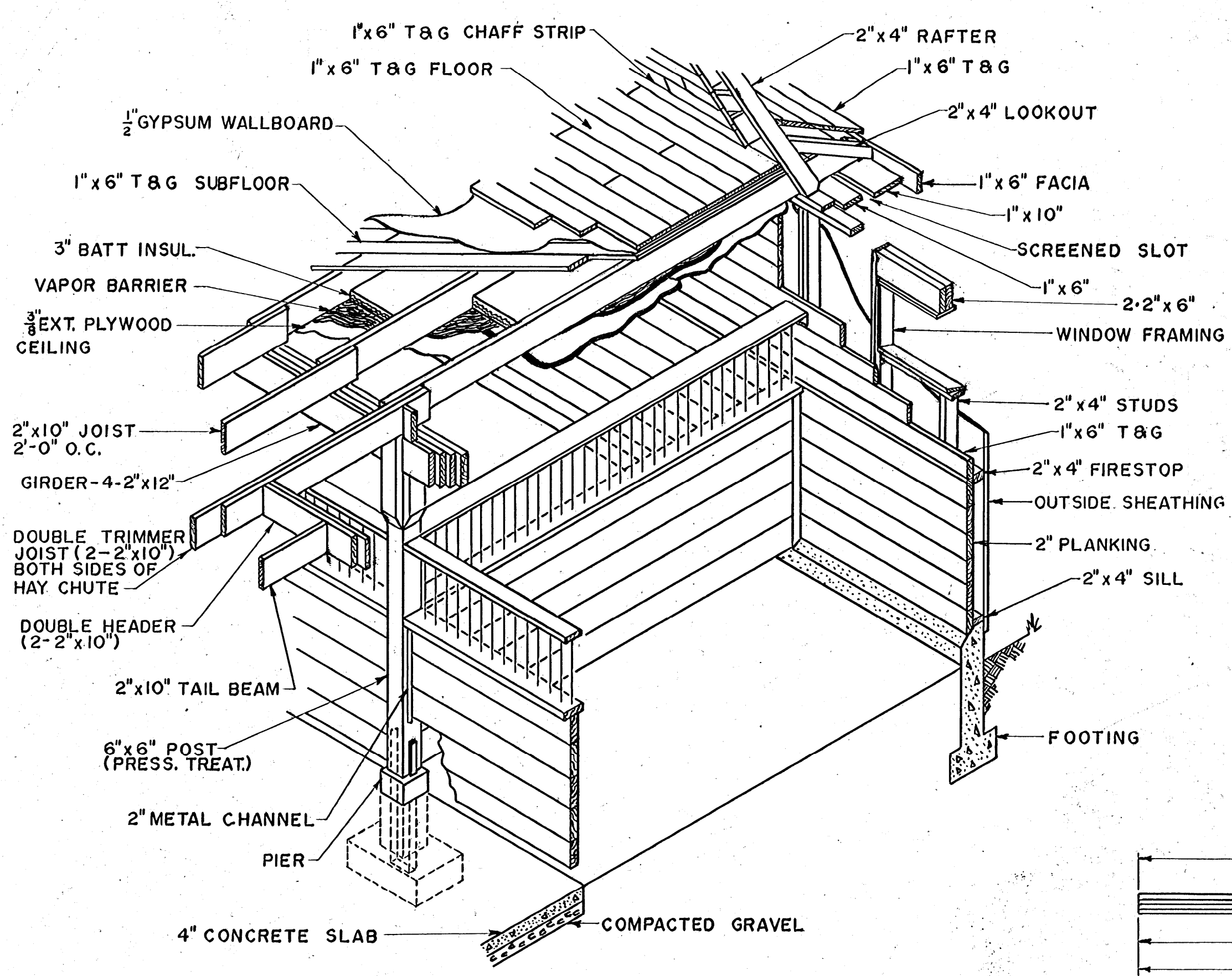
COOPERATIVE EXTENSION WORK IN
 AGRICULTURE AND HOME ECONOMICS
 STATE OF MISSISSIPPI
 MISSISSIPPI STATE UNIVERSITY
 AND
 UNITED STATES DEPARTMENT OF AGRICULTURE COOPERATING

1 1/2 STORY HORSE BARN

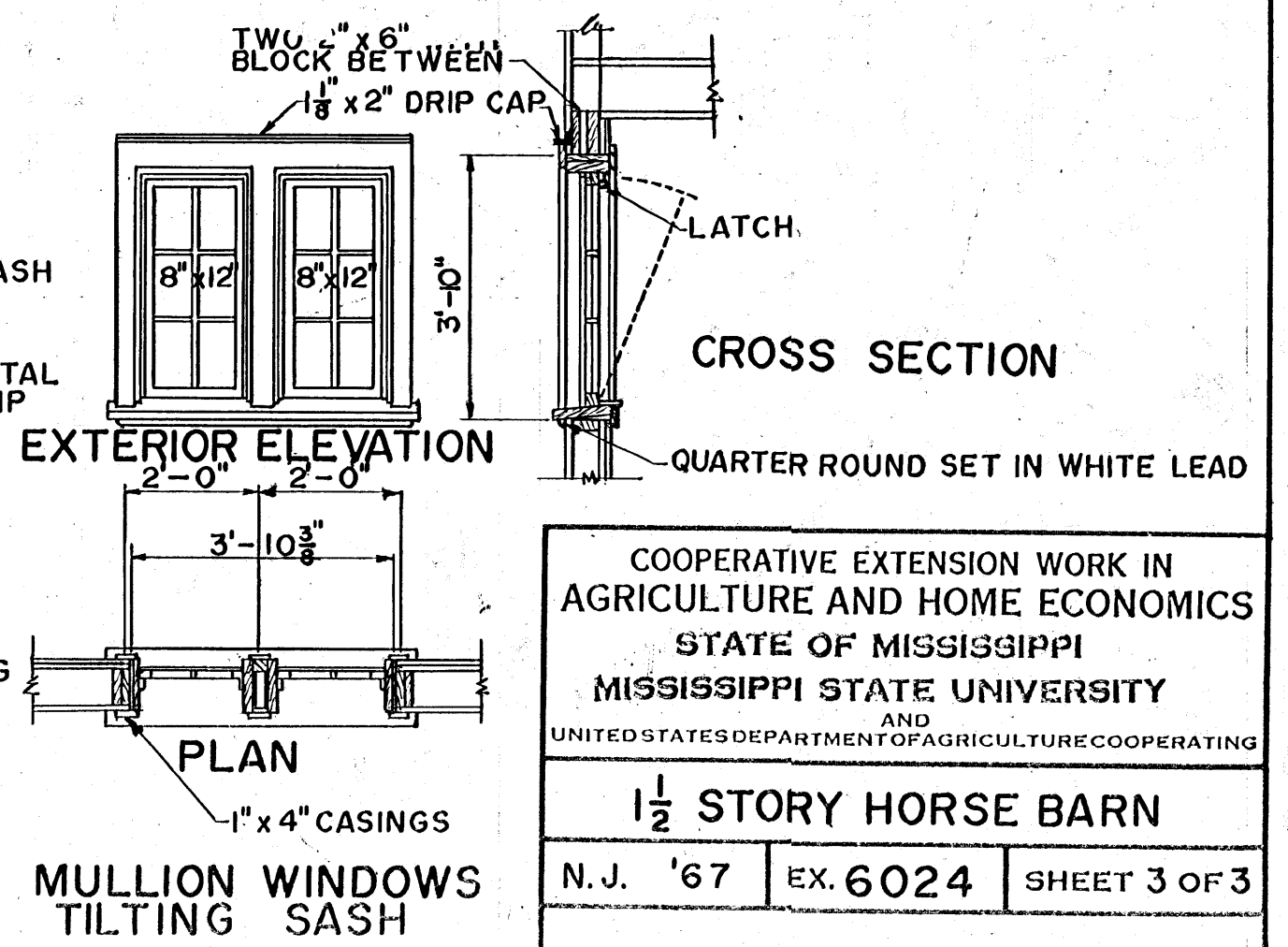
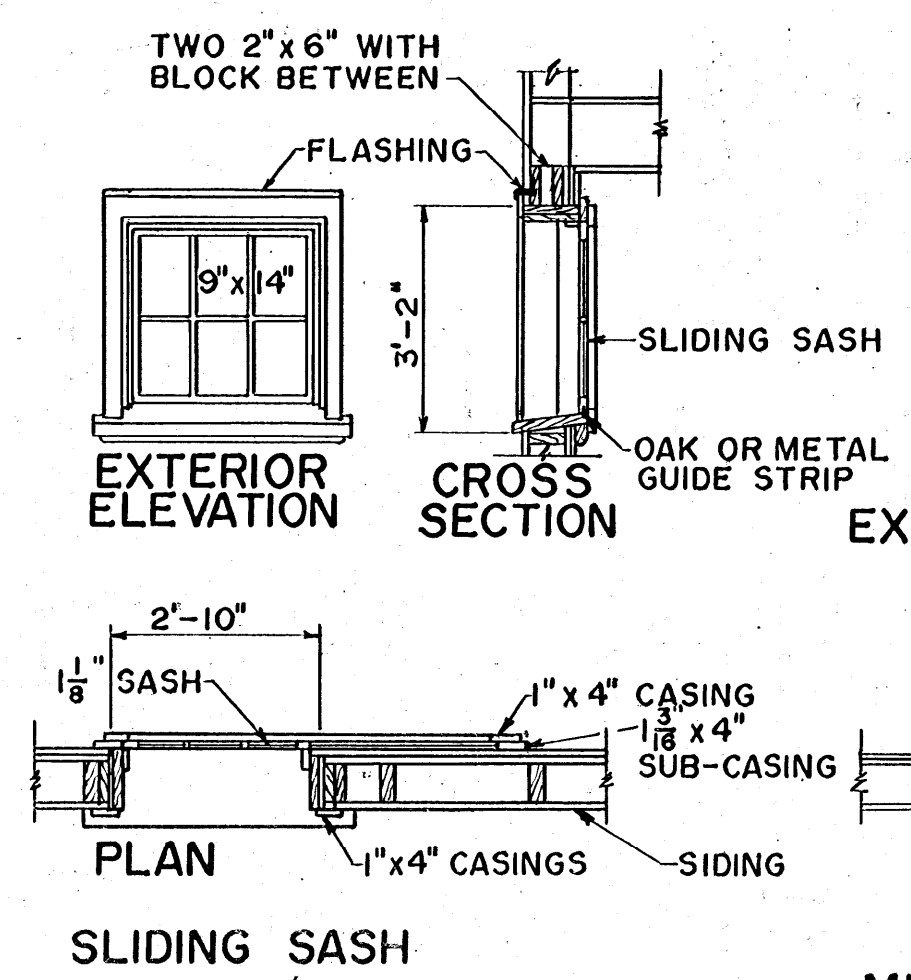
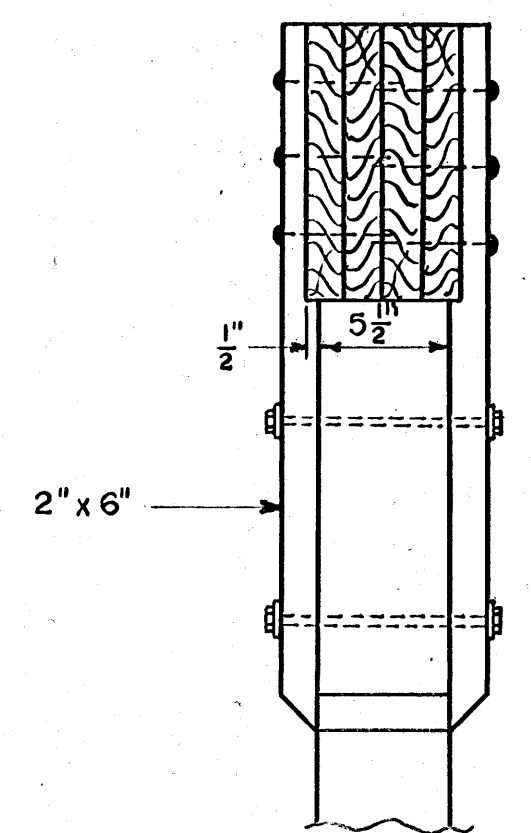
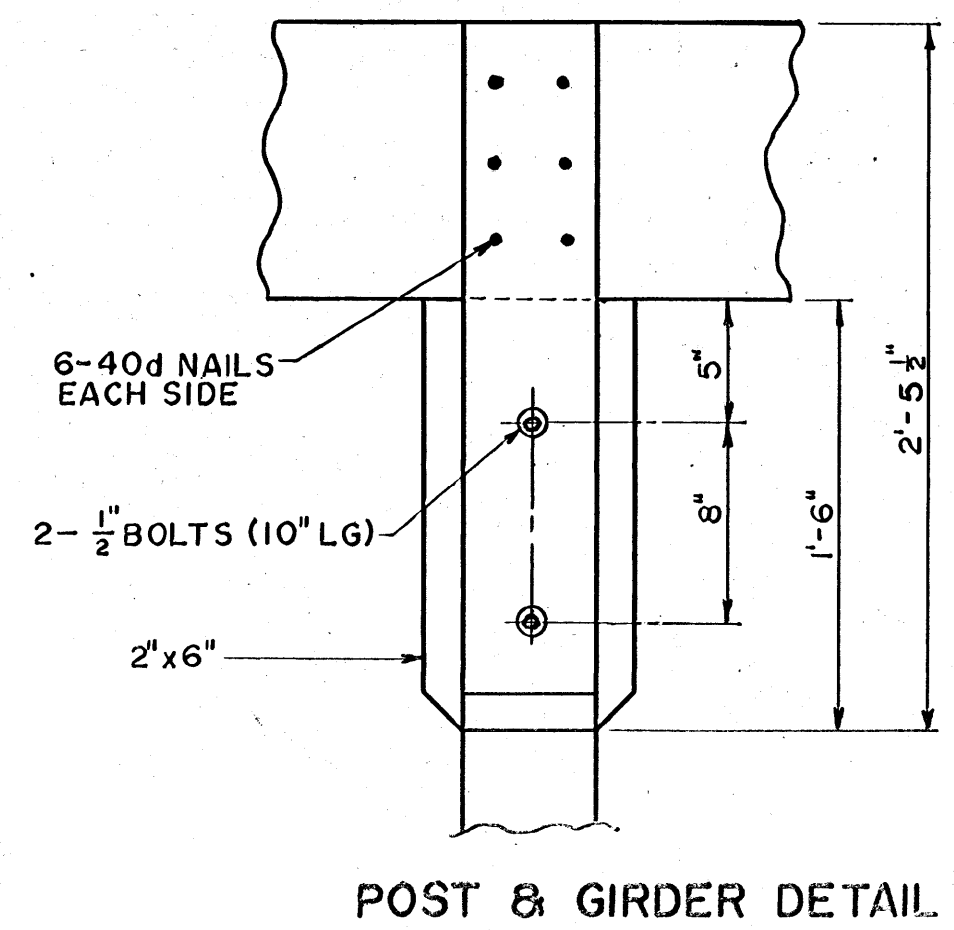
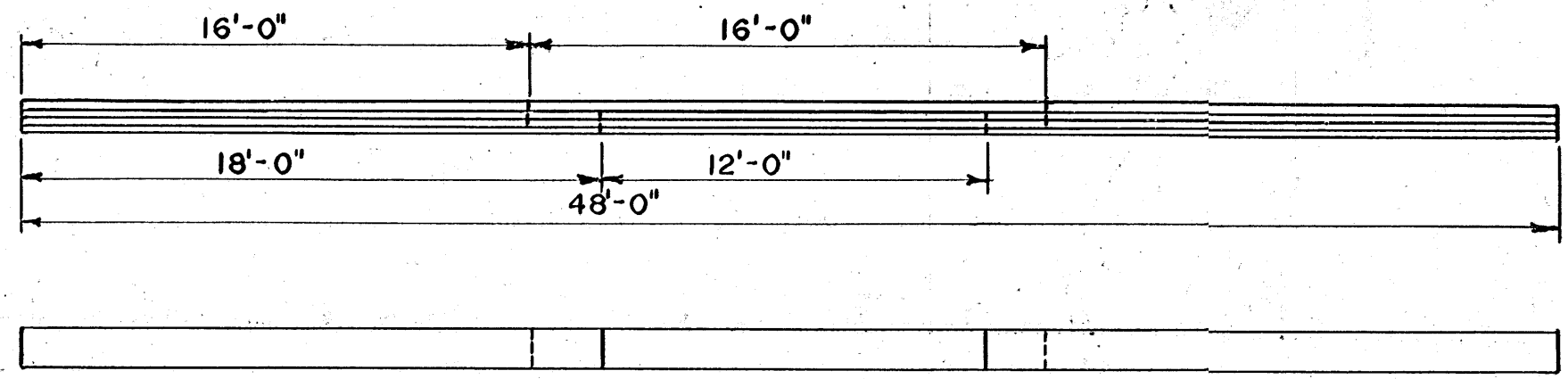
N.J. '67 EX. 6024 SHEET 1 OF 3

NOTE: SCALE $\frac{3}{16} = 1'-0"$ UNLESS OTHERWISE STATED.

BASED ON N.J. PLAN N^o 142



GIRDER LAMINATION DETAIL



COOPERATIVE EXTENSION WORK IN AGRICULTURE AND HOME ECONOMICS
 STATE OF MISSISSIPPI
 MISSISSIPPI STATE UNIVERSITY
 AND
 UNITED STATES DEPARTMENT OF AGRICULTURE COOPERATING

1 1/2 STORY HORSE BARN

N.J. '67 EX. 6024 SHEET 3 OF 3