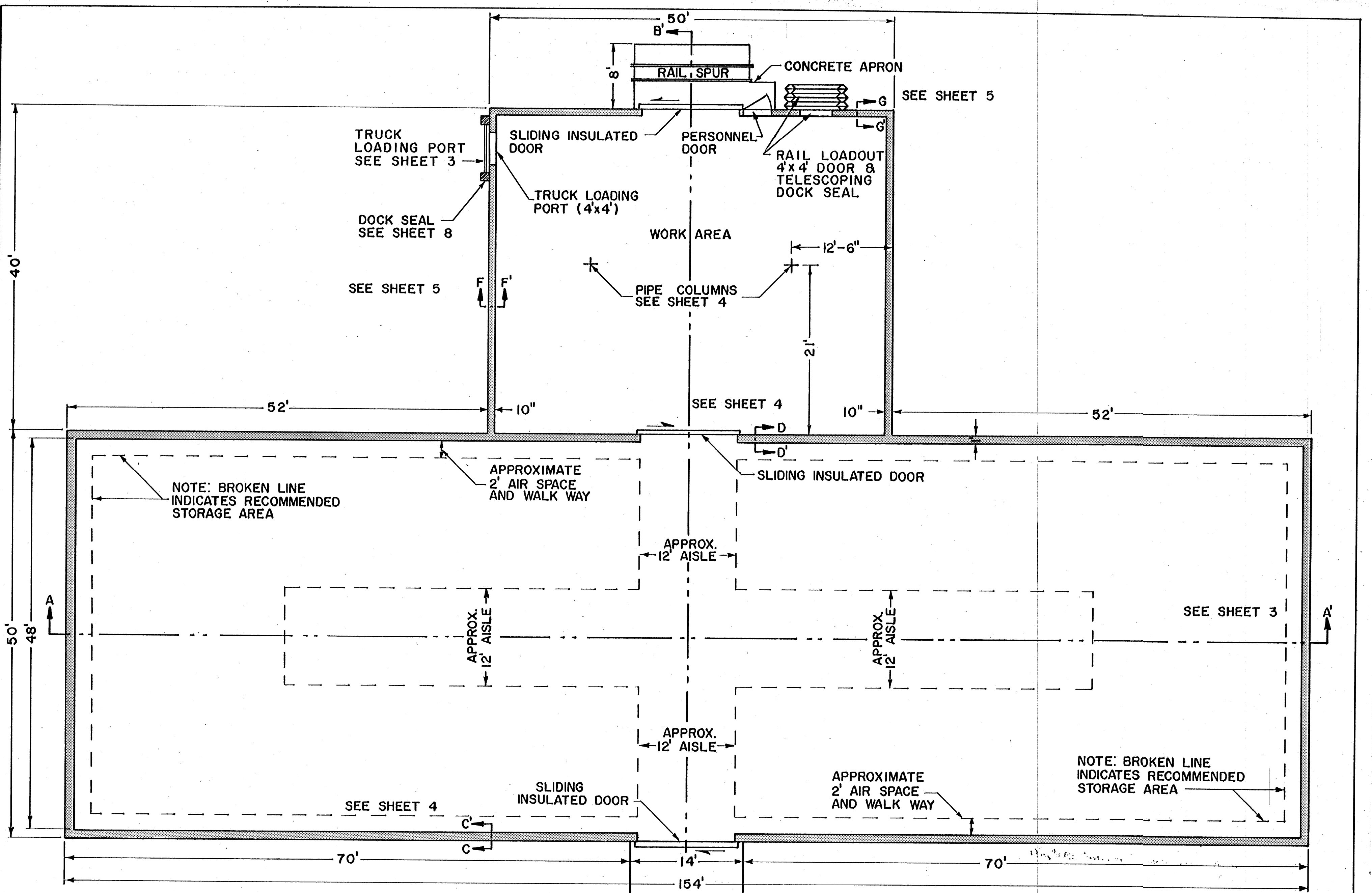


THE OPERATOR PLANNING TO BUILD A STORAGE SHOULD RETAIN THE SERVICES OF A PROFESSIONAL ENGINEER TO DESIGN THE STORAGE TO MEET THE OPERATOR'S PARTICULAR NEEDS AND TO MEET LOCAL CONDITIONS, AS WELL AS TO SUPERVISE CONSTRUCTION.

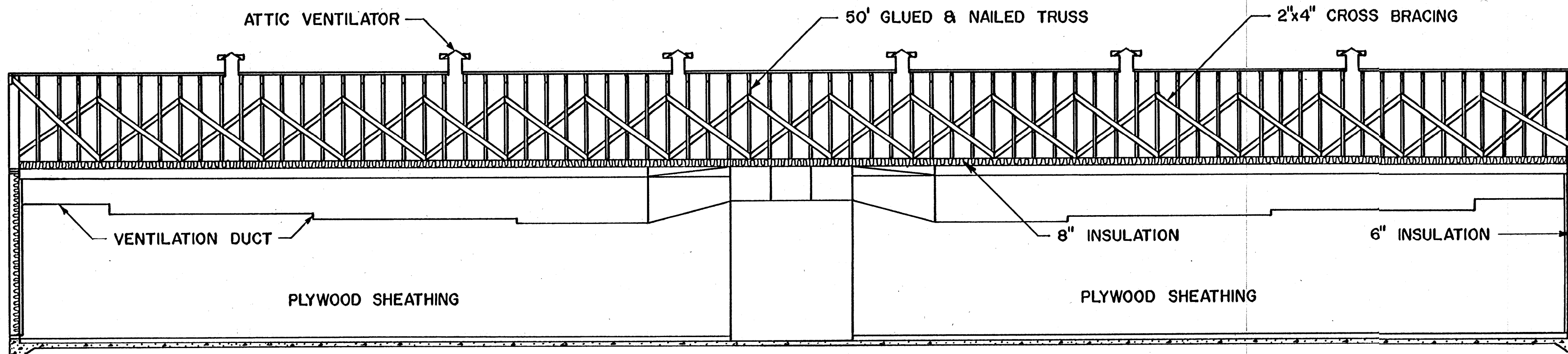
NOTE ADDED-SHEET 1
REVISED: 5-2-69.

COOPERATIVE EXTENSION WORK IN AGRICULTURE AND HOME ECONOMICS		
STATE OF MISSISSIPPI		
MISSISSIPPI STATE UNIVERSITY		
UNITED STATES DEPARTMENT OF AGRICULTURE COOPERATING		
POTATO STORAGE		
25,000 CWT. PALLET BOX		
ARS-TFRD	EX. 6038	SHEET 1 OF 10
PERSPECTIVE		

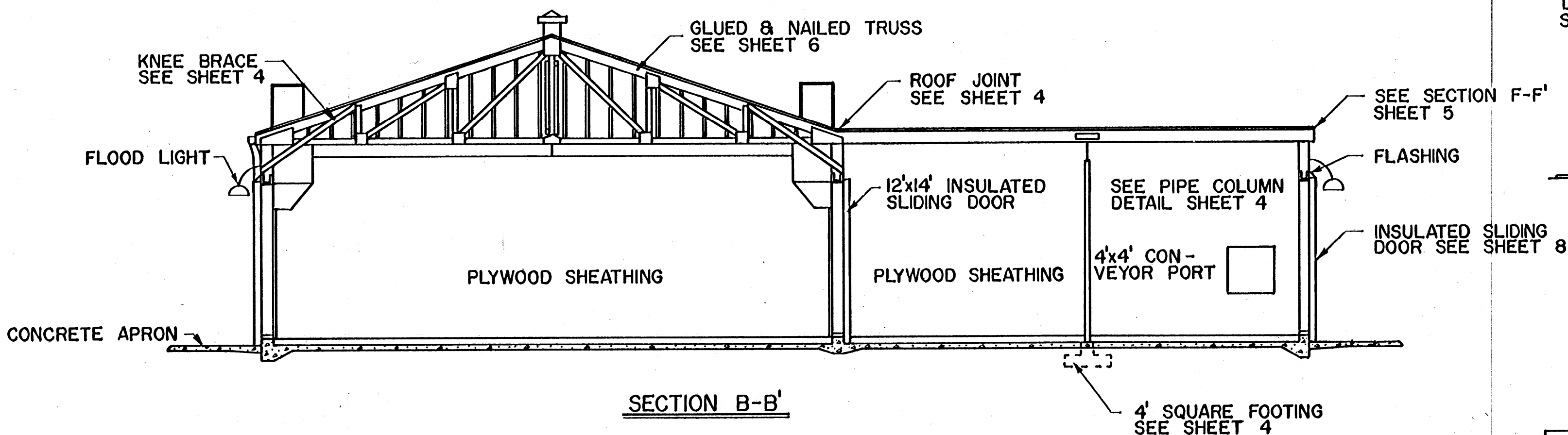


FLOOR PLAN
SCALE 1/8" = 1'

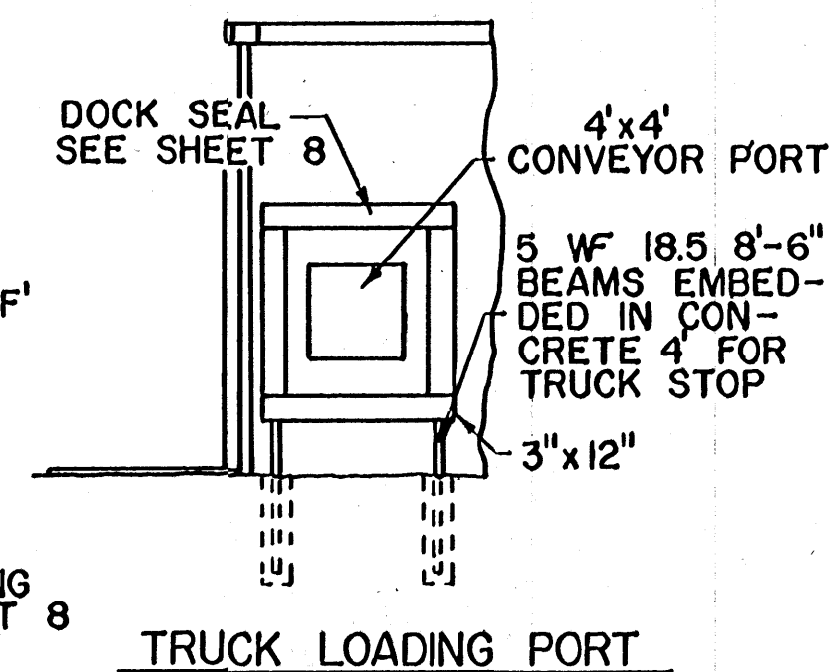
COOPERATIVE EXTENSION WORK IN AGRICULTURE AND HOME ECONOMICS		
STATE OF MISSISSIPPI		
MISSISSIPPI STATE UNIVERSITY		
UNITED STATES DEPARTMENT OF AGRICULTURE COOPERATING		
POTATO STORAGE		
25,000 CWT. PALLET BOX		
ARS-TFRD	EX. 6038	SHEET 2 OF 10
LAYOUT		



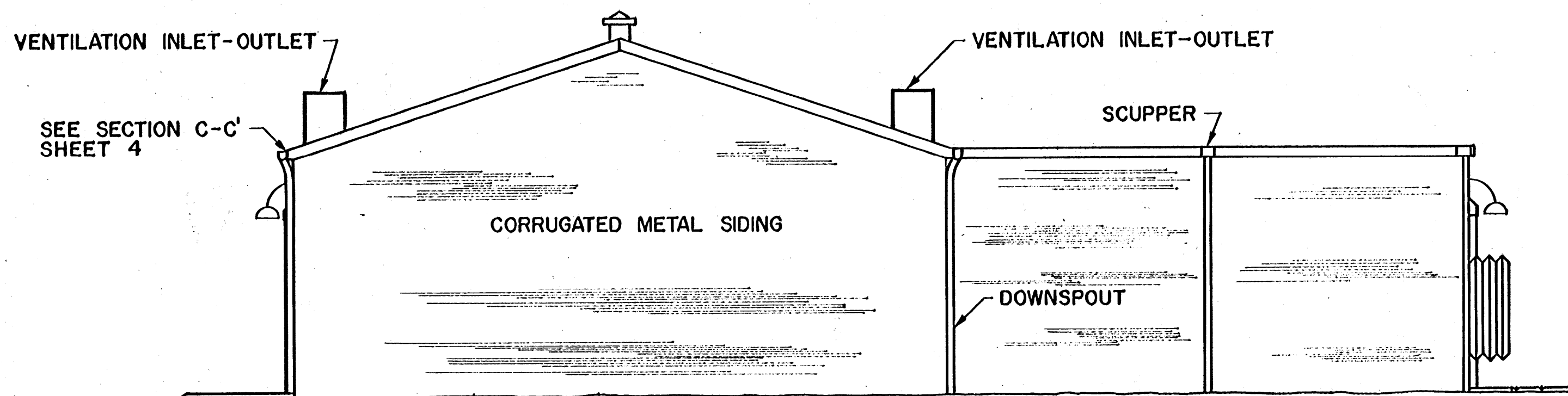
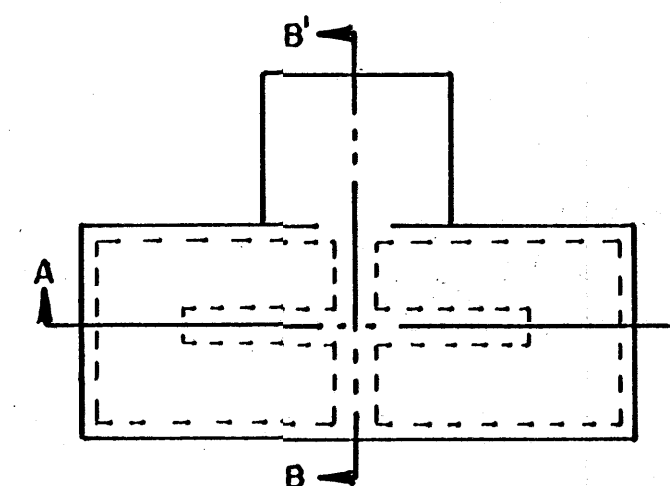
SECTION A-A'



SECTION B-B'



TRUCK LOADING PORT



SIDE ELEVATION

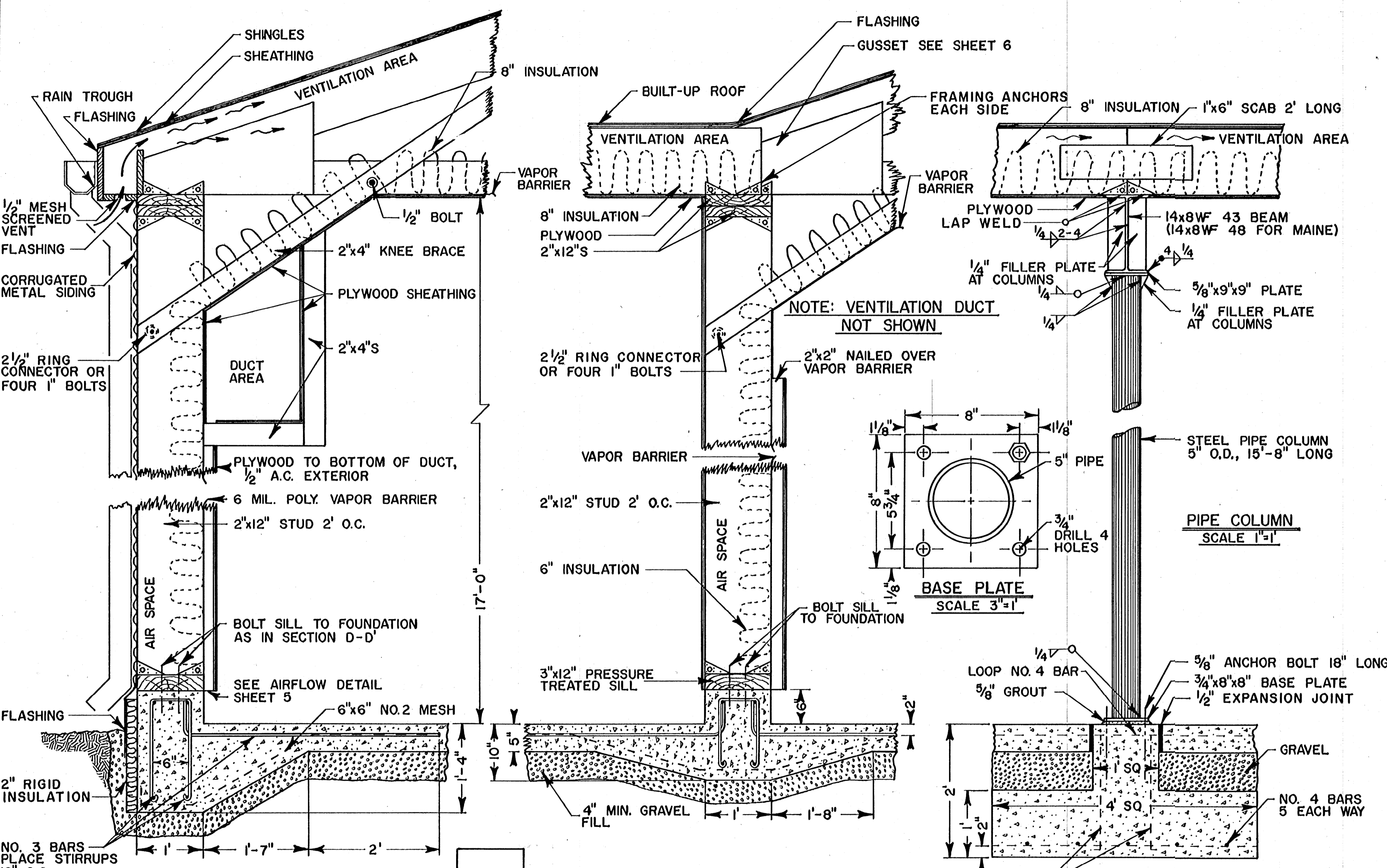
SCALE 1/8" = 1'

COOPERATIVE EXTENSION WORK IN
 AGRICULTURE AND HOME ECONOMICS
 STATE OF MISSISSIPPI
 MISSISSIPPI STATE UNIVERSITY
 AND
 UNITED STATES DEPARTMENT OF AGRICULTURE COOPERATING

POTATO STORAGE
 25,000CWT. PALLET BOX

ARS-TFRD | EX. 6038 | SHEET 3 OF 10

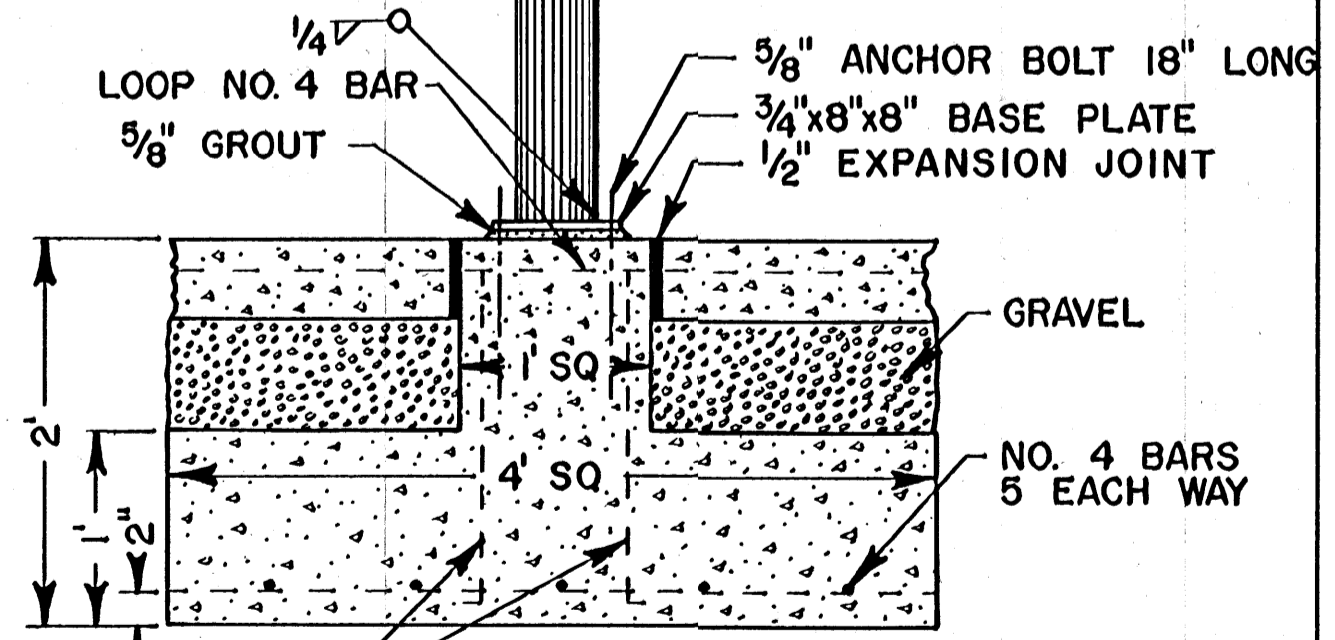
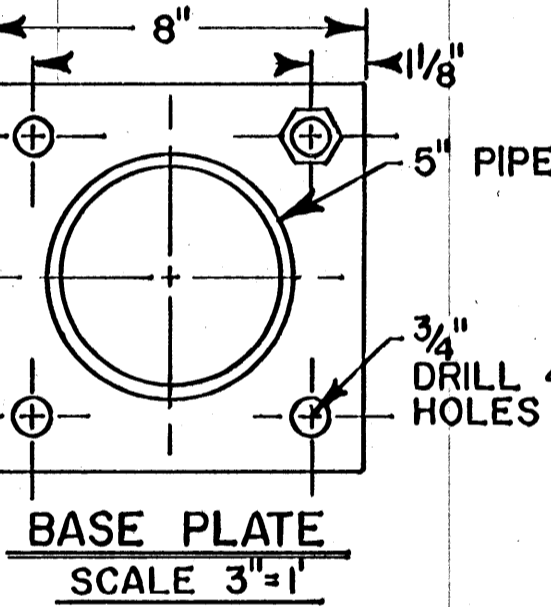
ELEVATIONS & SECTIONS



TYPICAL AIR WALL
SECTION C-C'
SCALE 1"=1'

SECTION D-D'
SCALE 1"=1'

PIPE COLUMN
SCALE 1"=1'



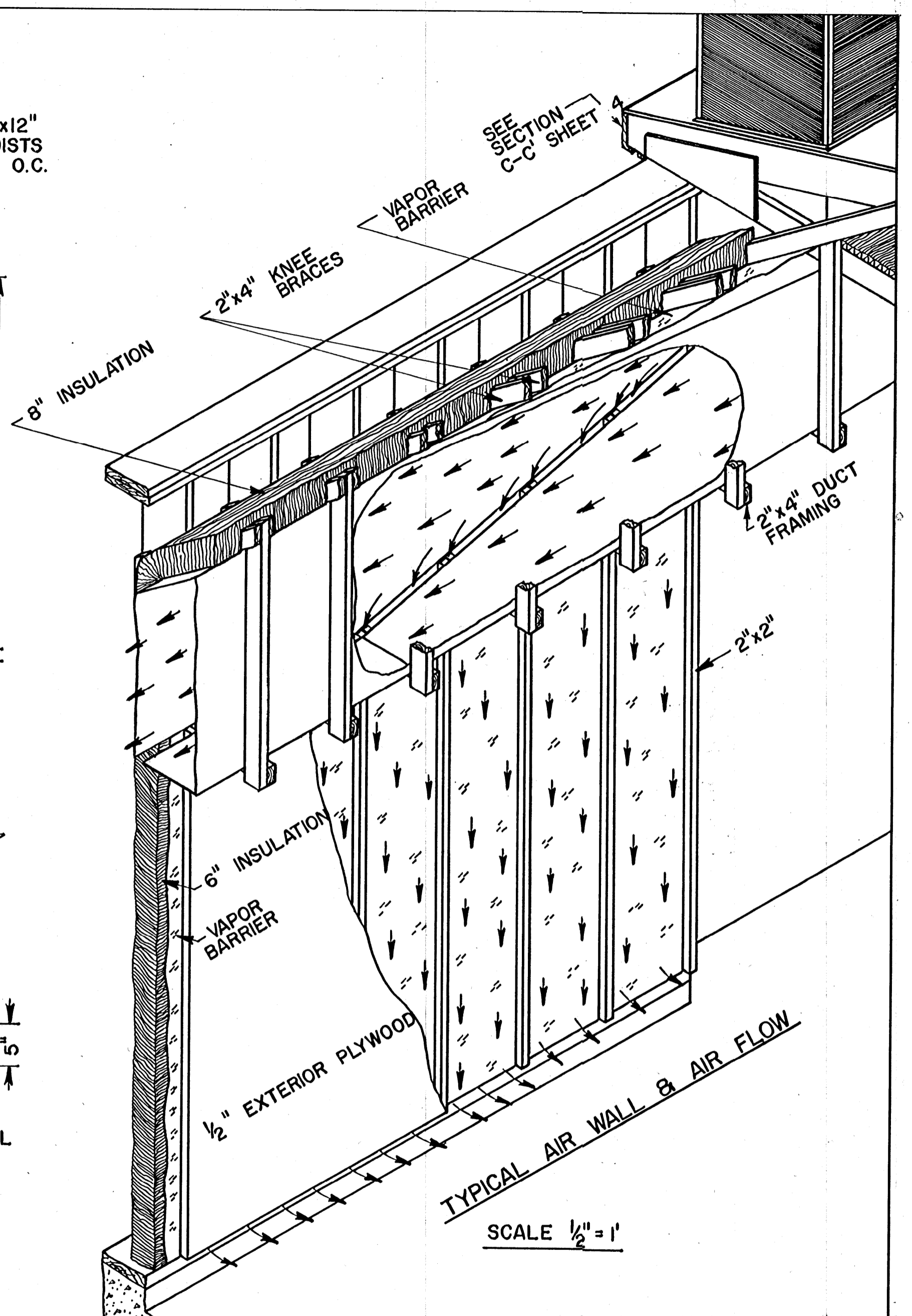
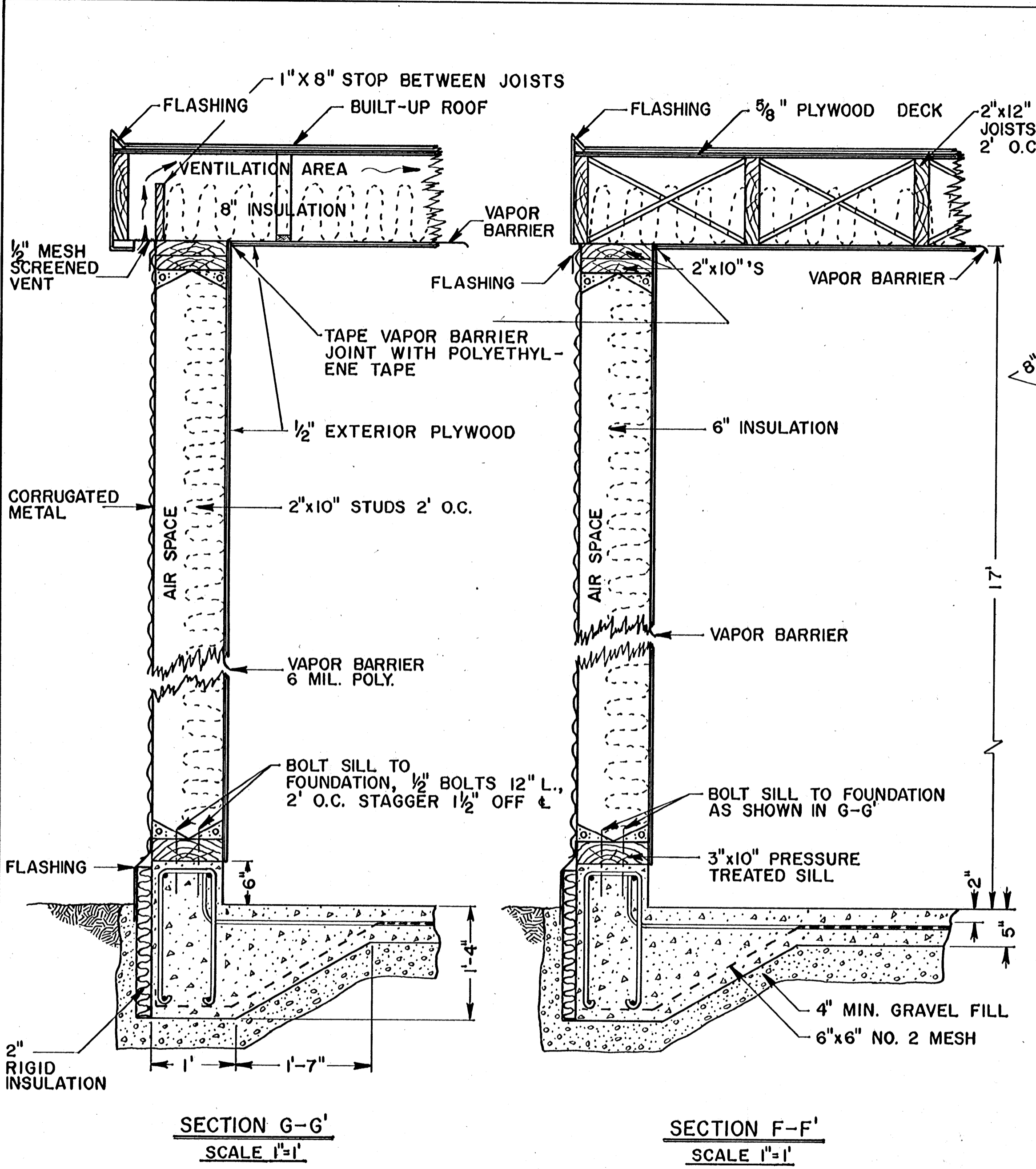
CAUTION: MANY AREAS CANNOT USE "FLOATING" SLAB FOUNDATION SHOWN.

COOPERATIVE EXTENSION WORK IN AGRICULTURE AND HOME ECONOMICS
STATE OF MISSISSIPPI
MISSISSIPPI STATE UNIVERSITY
AND UNITED STATES DEPARTMENT OF AGRICULTURE COOPERATING

POTATO STORAGE
25,000 CWT. PALLET BOX

ARS-TFRD	EX. 6038	SHEET 4 OF 10
----------	----------	---------------

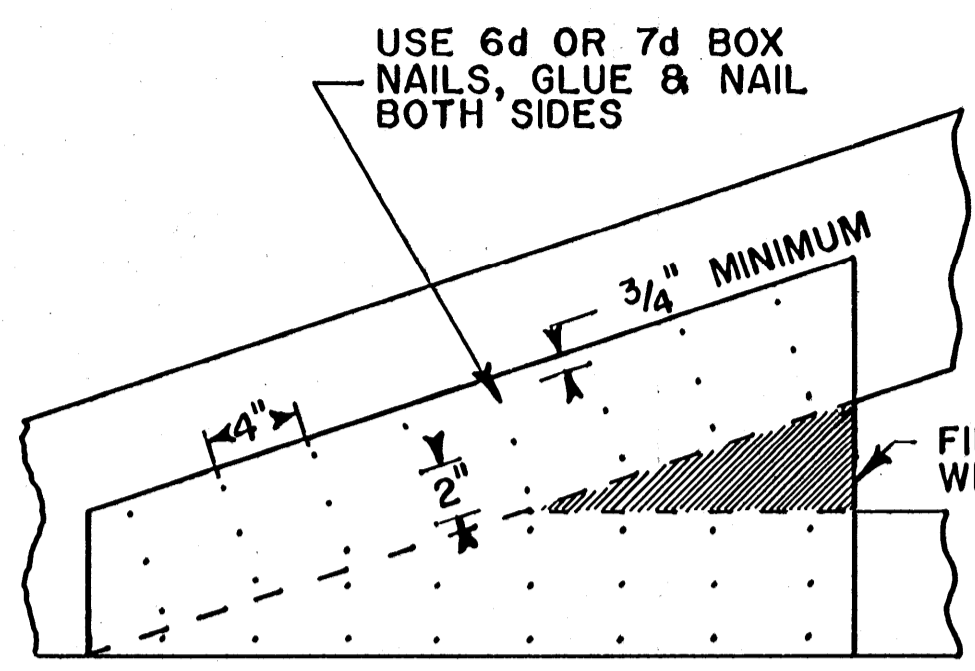
STRUCTURAL DETAILS



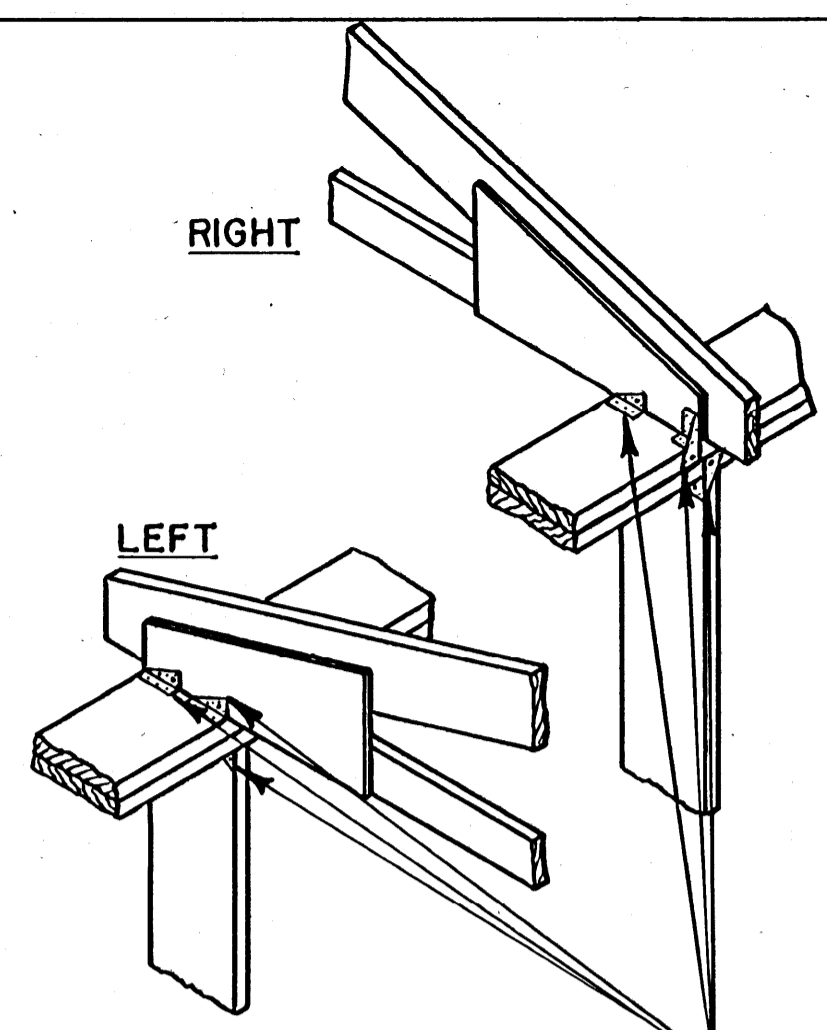
COOPERATIVE EXTENSION WORK IN
 AGRICULTURE AND HOME ECONOMICS
STATE OF MISSISSIPPI
MISSISSIPPI STATE UNIVERSITY
 AND
 UNITED STATES DEPARTMENT OF AGRICULTURE COOPERATING

POTATO STORAGE
 25,000 CWT. PALLET BOX

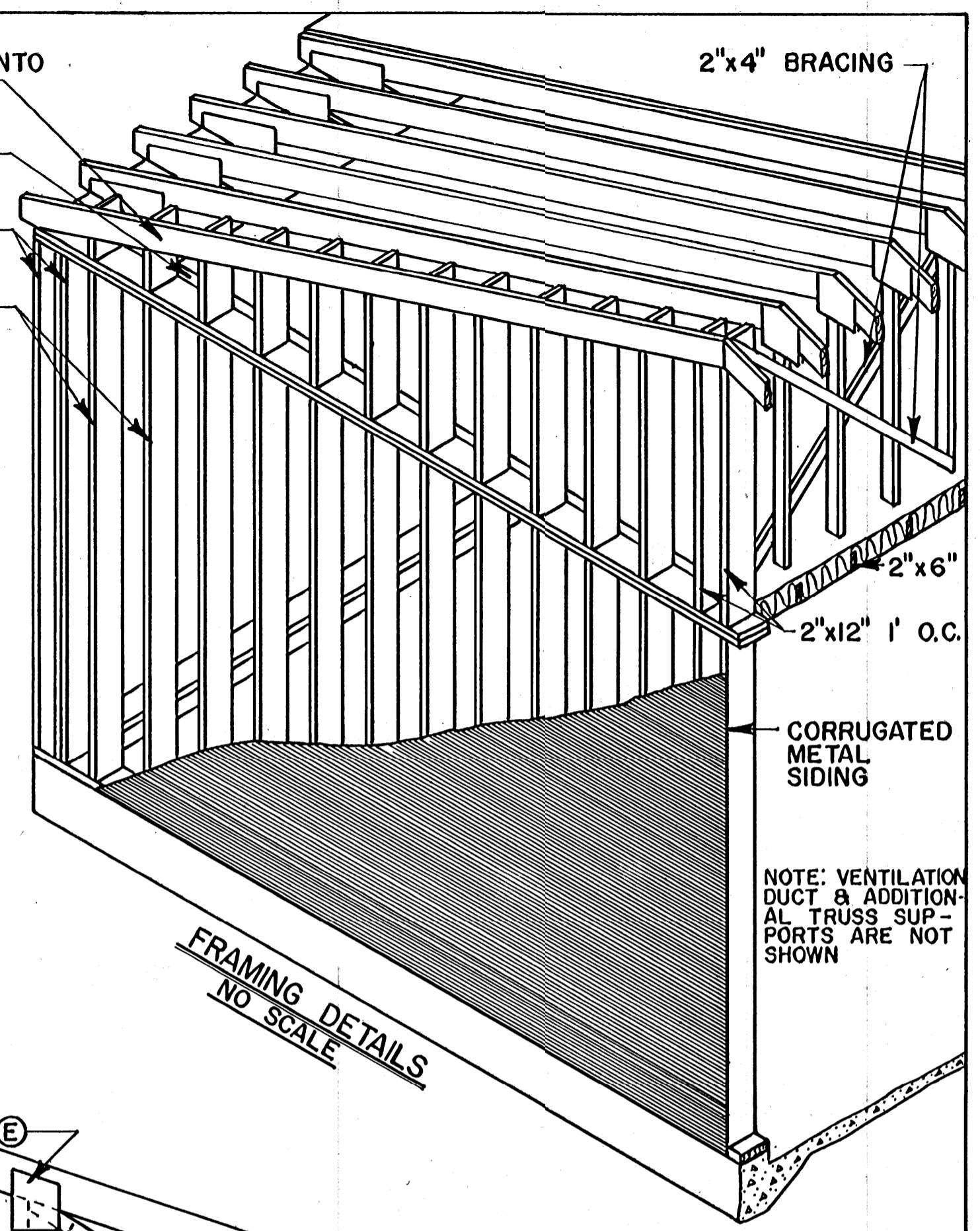
ARS - TFRD EX. 6038 SHEET 5 OF 10
 VENTILATION & CONSTRUCTION



NAILING DETAIL FOR END GUSSET. NAIL OTHER GUSSETS, USING SAME EDGE, ROW & COLUMN SPACINGS FOR NAILS.
SCALE 1 1/2"=1'

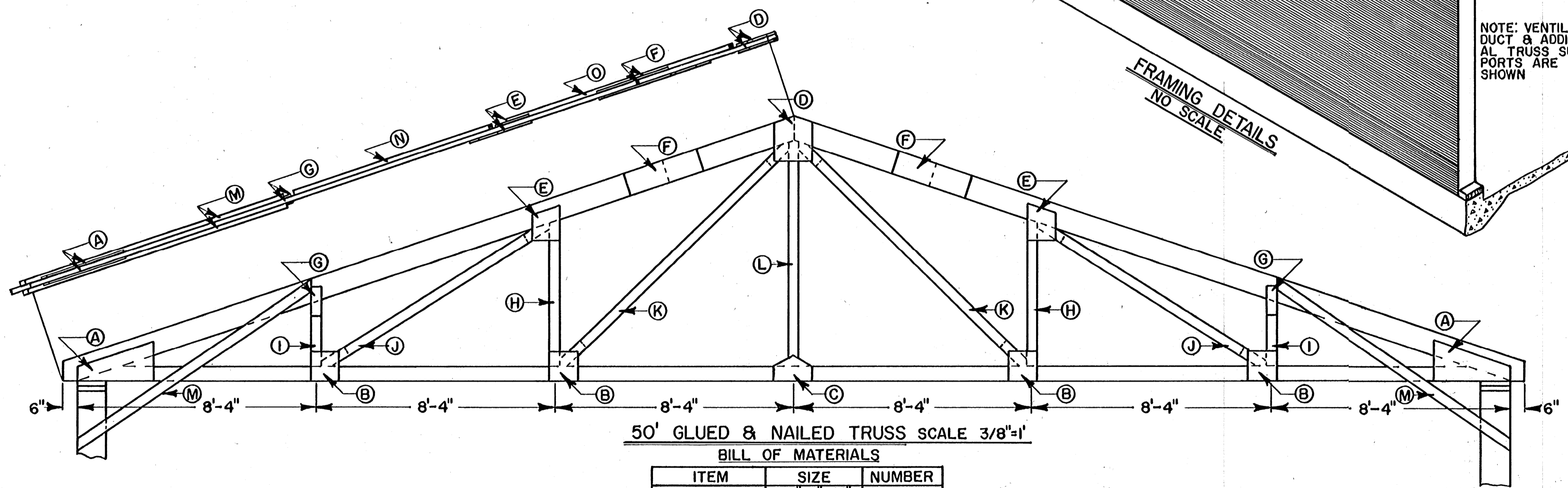


2"x12" NOTCHED INTO 2"x12" STUDS
8" INSULATION
2"x12"s 1' O.C.
2"x12"s 2' O.C.



FRAMING DETAILS
NO SCALE

NOTE: VENTILATION DUCT & ADDITIONAL TRUSS SUPPORTS ARE NOT SHOWN



50' GLUED & NAILED TRUSS SCALE 3/8"=1'

BILL OF MATERIALS

ITEM	SIZE	NUMBER
A	5/8" x 6" x 32"	4
B	3/8" x 12" x 12"	8
C	3/8" x 10" x 16"	2
D	3/8" x 16" x 16"	2
E	3/8" x 12" x 12"	4
F	1" x 10" x 32"	4
G	1" x 4" x 12"	4
H	2" x 4" x 5'-1"	2
I	2" x 4" x 2'-4"	2
J	2" x 4" x 9'-2"	2
K	2" x 4" x 10'-9"	2
L	2" x 4" x 7'-8"	1
M	2" x 4" x 10'	4
N STIFFENER	2" x 4" x 7'-9"	2
O STIFFENER	2" x 4" x 9'-6"	2
UPPER CHORD	2" x 10" x 27'	2
LOWER CHORD	2" x 6" x 25'	2

NOTE: TRUSS IS ADAPTED FROM PLANS PUBLISHED BY MIDWEST PLAN SERVICE BULLETIN NUMBER 9

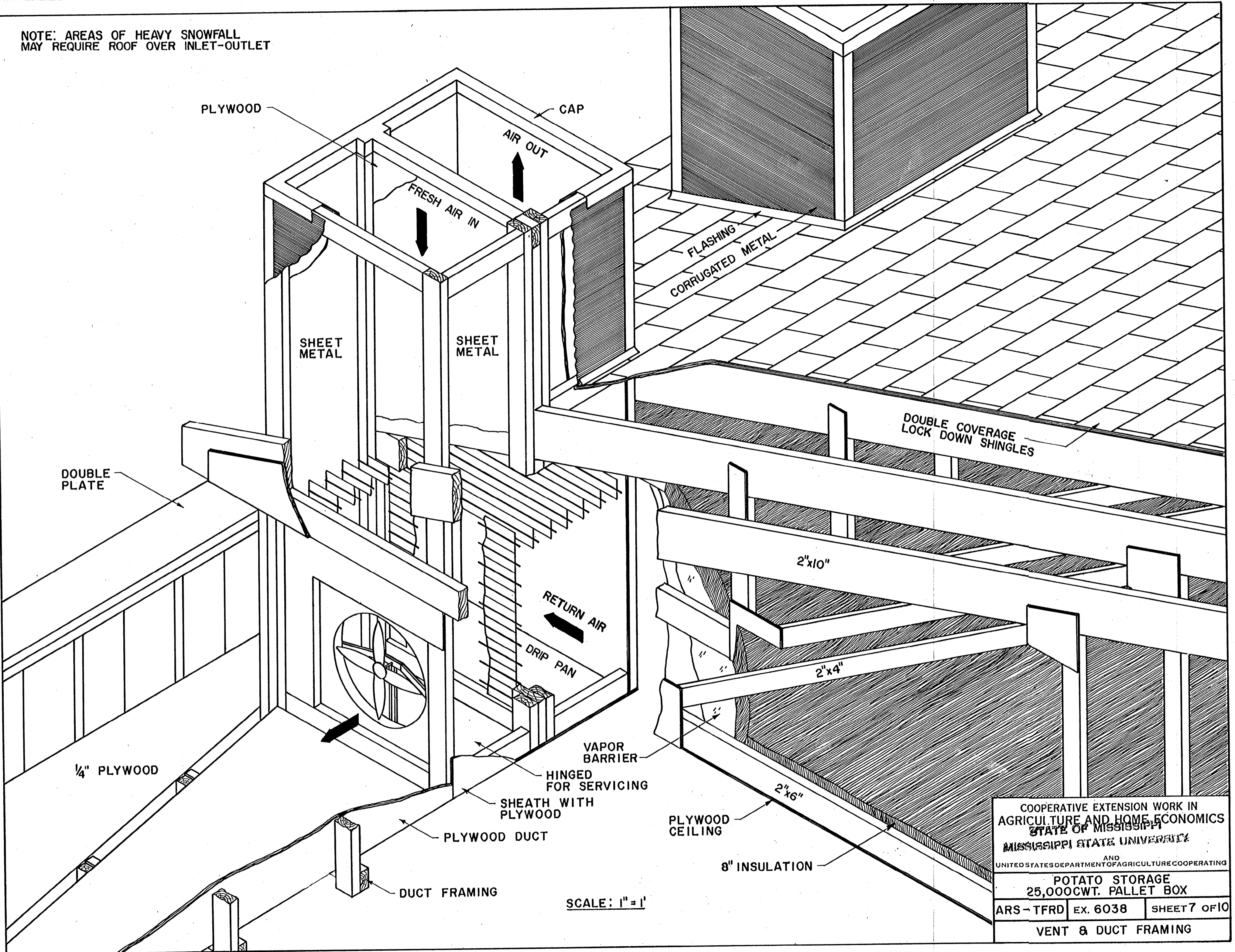
COOPERATIVE EXTENSION WORK IN AGRICULTURE AND HOME ECONOMICS
STATE OF MISSISSIPPI
MISSISSIPPI STATE UNIVERSITY
AND
UNITED STATES DEPARTMENT OF AGRICULTURE COOPERATING

POTATO STORAGE
25,000 CWT. PALLET BOX

ARS-TFRD EX. 6038 SHEET 6 OF 10

TRUSS & FRAMING DETAILS

NOTE: AREAS OF HEAVY SNOWFALL
MAY REQUIRE ROOF OVER INLET-OUTLET



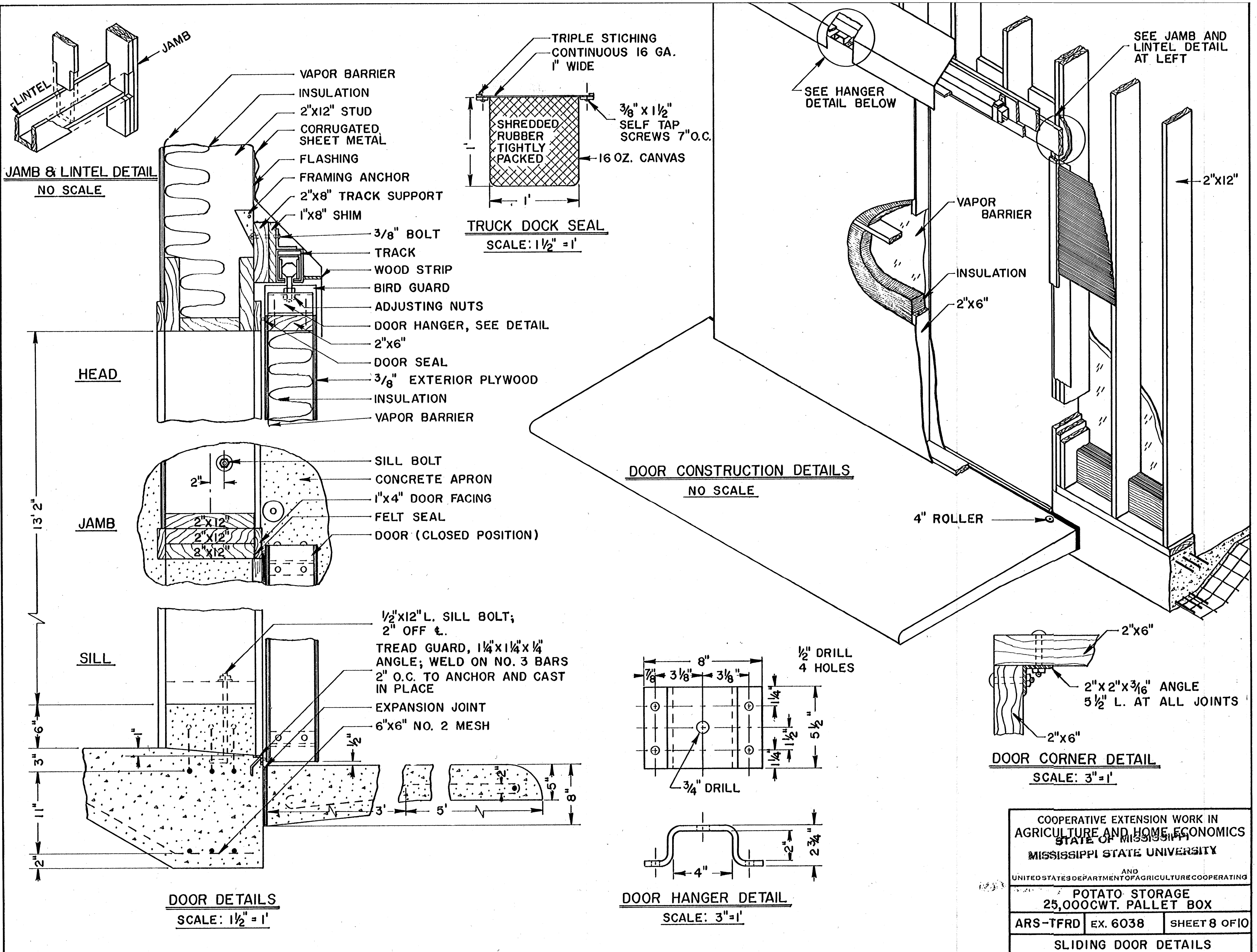
COOPERATIVE EXTENSION WORK IN
AGRICULTURE AND HOME ECONOMICS
STATE OF MISSISSIPPI
MISSISSIPPI STATE UNIVERSITY
AND
UNITED STATES DEPARTMENT OF AGRICULTURE COOPERATING

POTATO STORAGE
25,000 CWT. PALLET BOX

ARS - TFRD | EX. 6038 | SHEET 7 OF 10

VENT & DUCT FRAMING

SCALE: 1" = 1'



COOPERATIVE EXTENSION WORK IN
 AGRICULTURE AND HOME ECONOMICS
 STATE OF MISSISSIPPI
 MISSISSIPPI STATE UNIVERSITY
 AND
 UNITED STATES DEPARTMENT OF AGRICULTURE COOPERATING

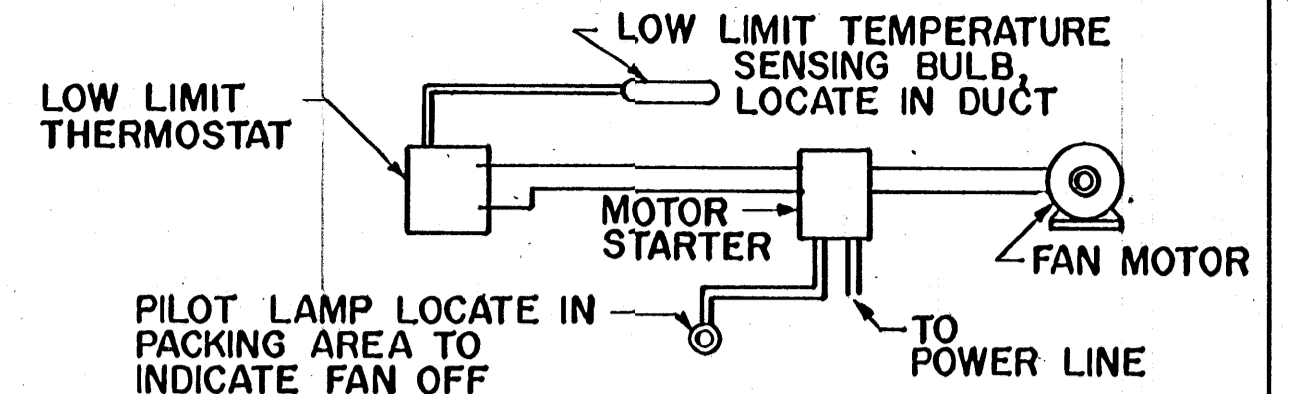
POTATO STORAGE
 25,000 CWT. PALLET BOX

ARS-TFRD EX. 6038 SHEET 8 OF 10

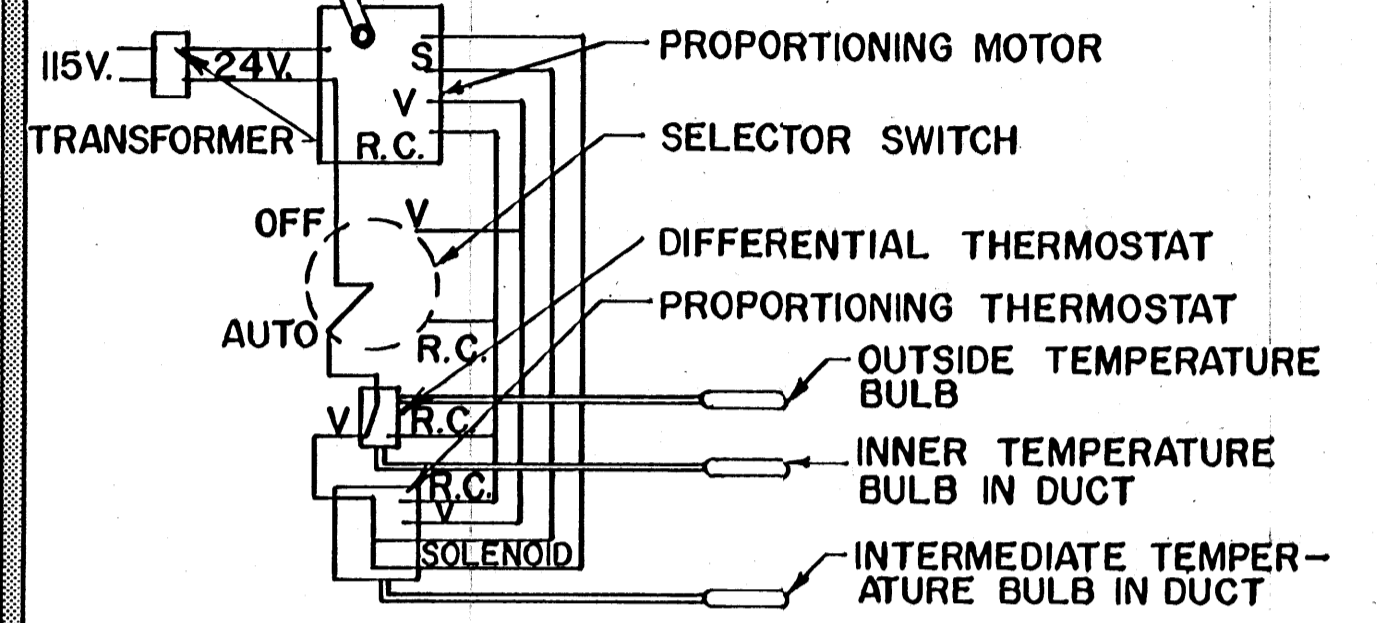
SLIDING DOOR DETAILS

LEGEND

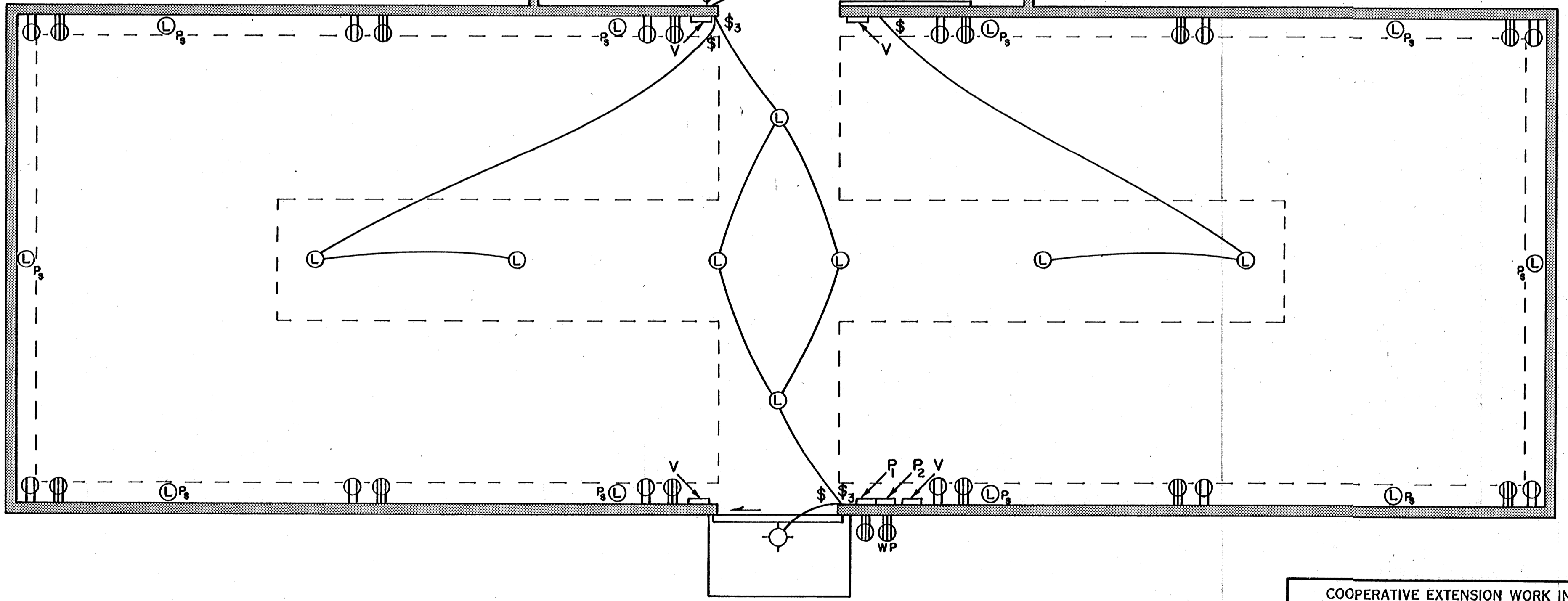
- \$ SINGLE POLE SWITCH
- \$₃ SINGLE POLE SWITCH, 3 WAY
- ⊕ DUPLEX OUTLET, 110V., 1ϕ, GROUNDED
- ⊕₃ DUPLEX OUTLET, 208V., 3ϕ, OR 230V., 1ϕ, GROUNDED
- ⊙ FLOOD LAMP, 1000W., WATERPROOF
- ⊙_L CEILING LAMP, 100W., VAPORPROOF
- P₁ MAIN SERVICE PANEL
- P₂ DISTRIBUTION PANEL
- V VENTILATION CONTROLS
- F FLUORESCENT FIXTURES, 8' NOMINAL LENGTH, WITH 2 75W. LAMPS, 16' MOUNTING HEIGHT
- ⊙_L_{WP} LAMP WITH PULL SWITCH
- ⊕_{WP} WEATHERPROOF & GROUNDED DUPLEX OUTLET, 208V., 3ϕ OR 230V., 1ϕ



FAN MOTOR CONTROLS



DAMPER CONTROLS



ELECTRICAL LAYOUT
SCALE: 1/8" = 1'

COOPERATIVE EXTENSION WORK IN AGRICULTURE AND HOME ECONOMICS

STATE OF MISSISSIPPI

MISSISSIPPI STATE UNIVERSITY

UNITED STATES DEPARTMENT OF AGRICULTURE COOPERATING

POTATO STORAGE
25,000 CWT. PALLET BOX

ARS - TFRD	EX. 6038	SHEET 10 OF 10
------------	----------	----------------

ELECTRICAL