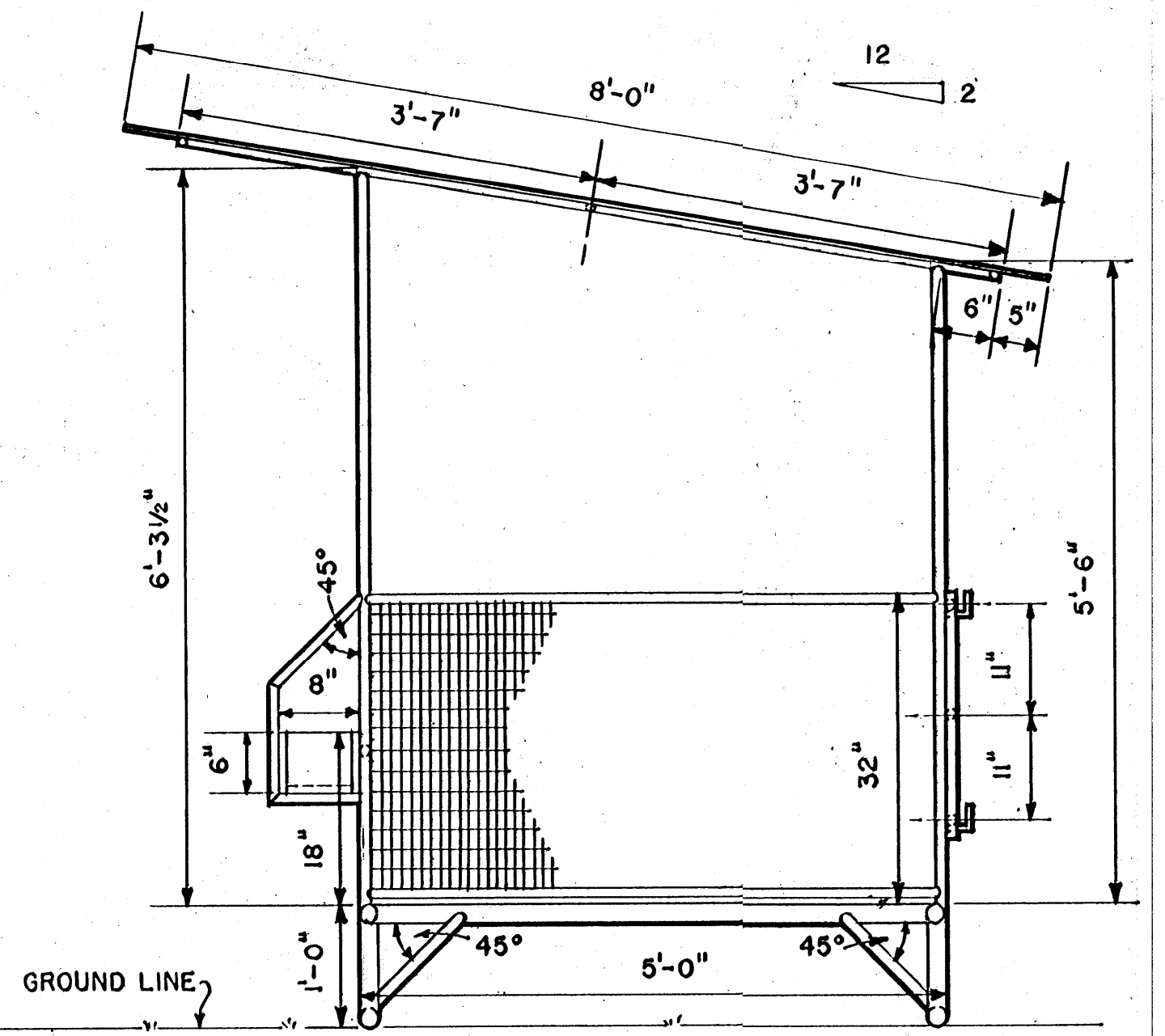
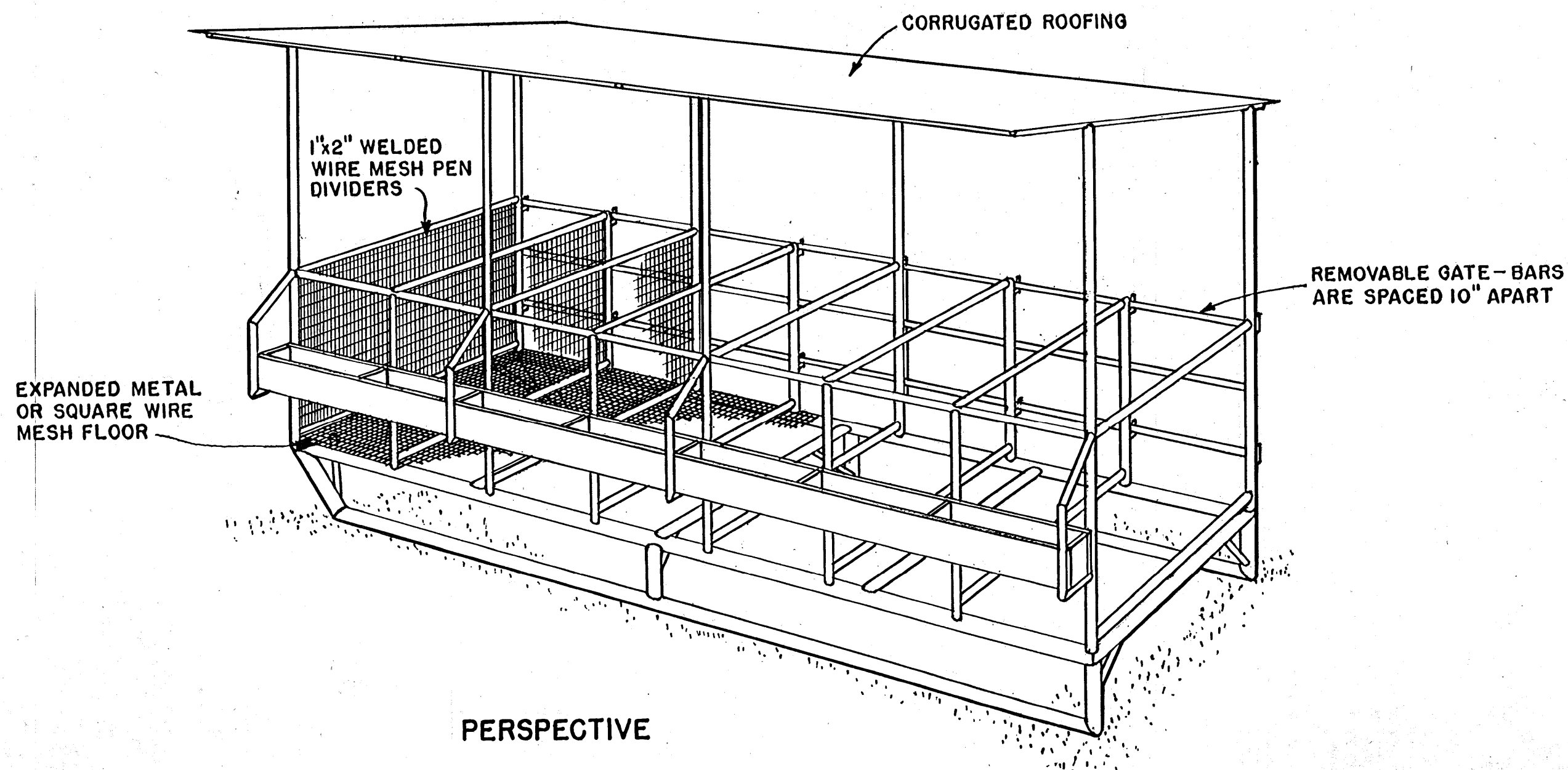


FRONT VIEW
SCALE: 3/4" = 1'-0"



END VIEW
SCALE: 3/4" = 1'-0"



NOTES:

- USE 1 1/2-INCH PIPE FOR THE SLED FRAME (1.9 INCH O.D.).
- USE 3/4-INCH PIPE FOR THE PEN FRAMEWORK (1.0 INCH O.D.).
- EXTERIOR PLYWOOD MAY BE FASTENED TO EACH END TO PROTECT CALVES FROM WIND.

COOPERATIVE EXTENSION WORK IN AGRICULTURE AND HOME ECONOMICS		
STATE OF MISSISSIPPI		
MISSISSIPPI STATE UNIVERSITY		
AND UNITED STATES DEPARTMENT OF AGRICULTURE COOPERATING		
ELEVATED CALF PENS		
CALIF. '68	EX. 6052	SHEET 1 OF 1