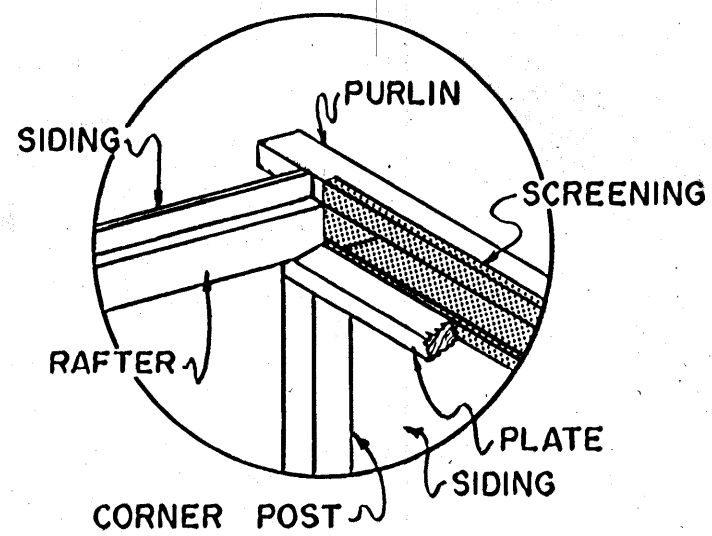


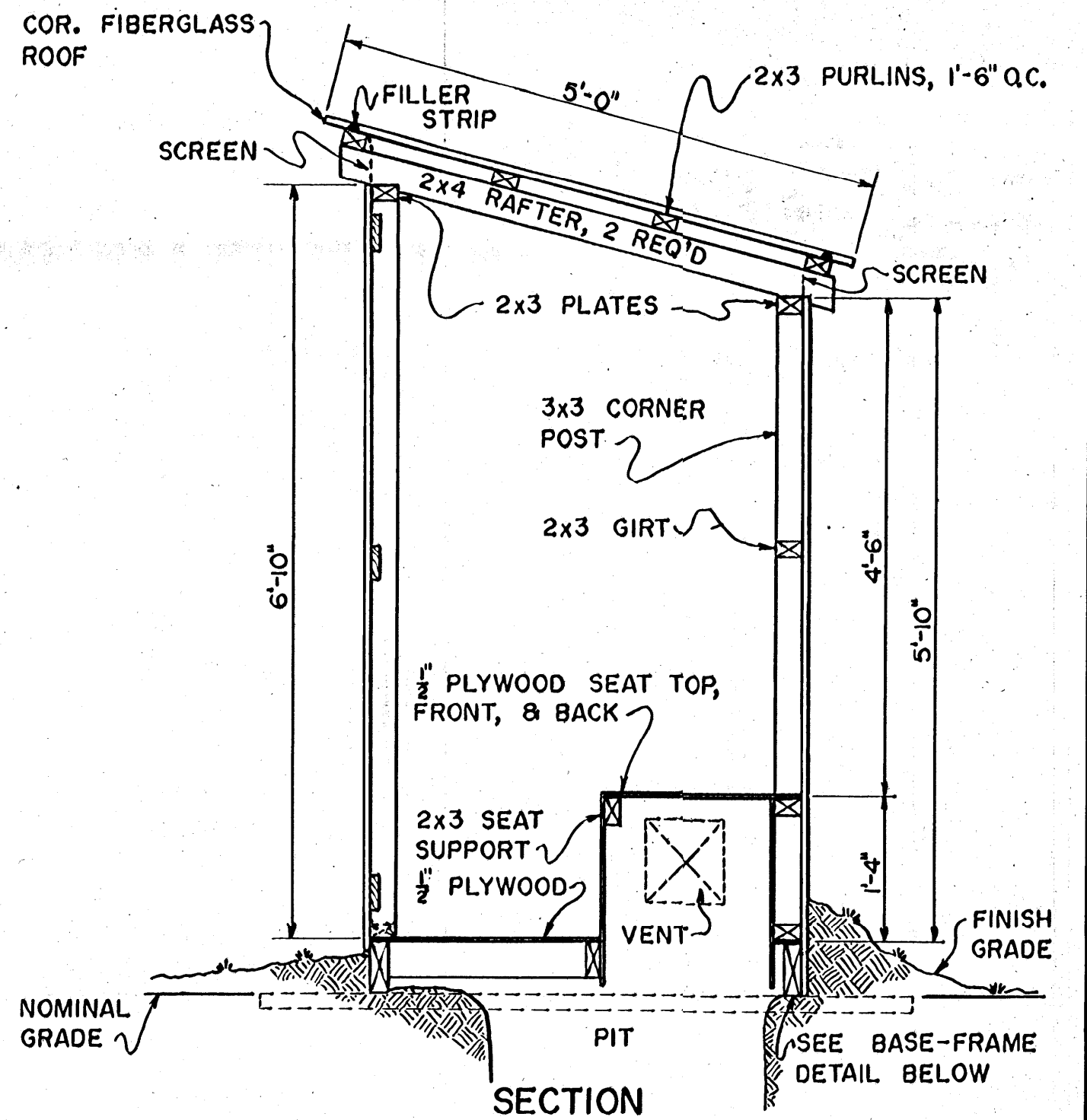
FRAMING ISOMETRIC



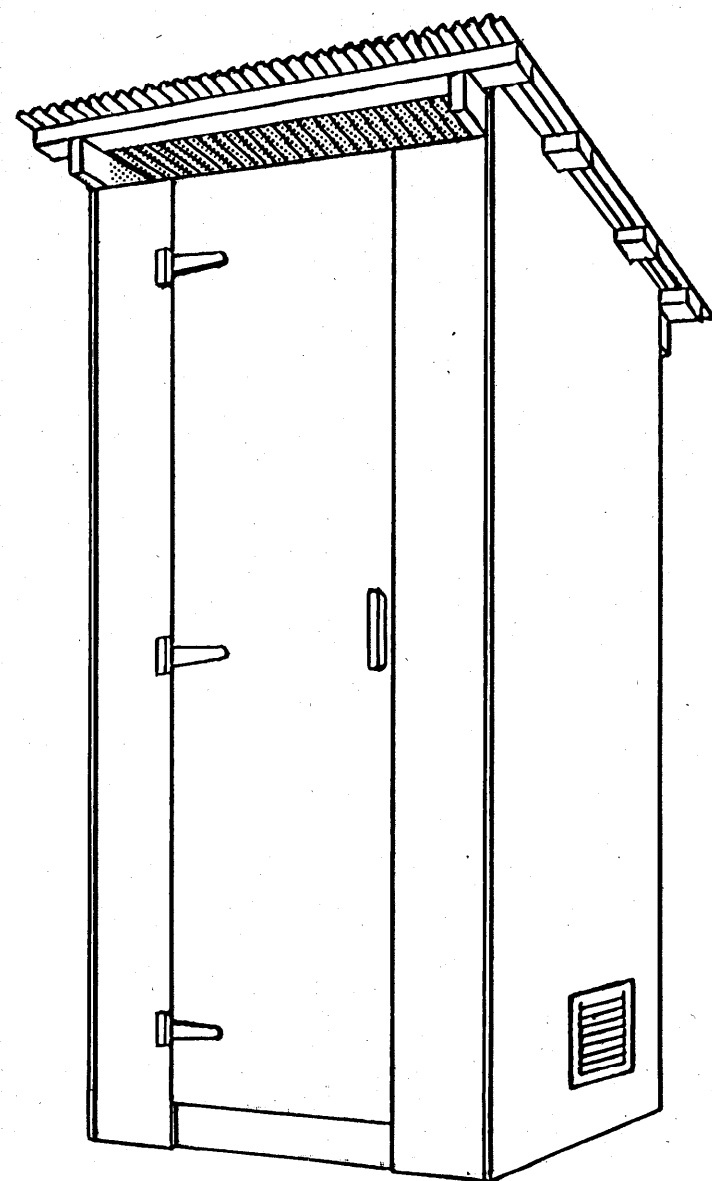
SCREENING DETAIL

NOTES:

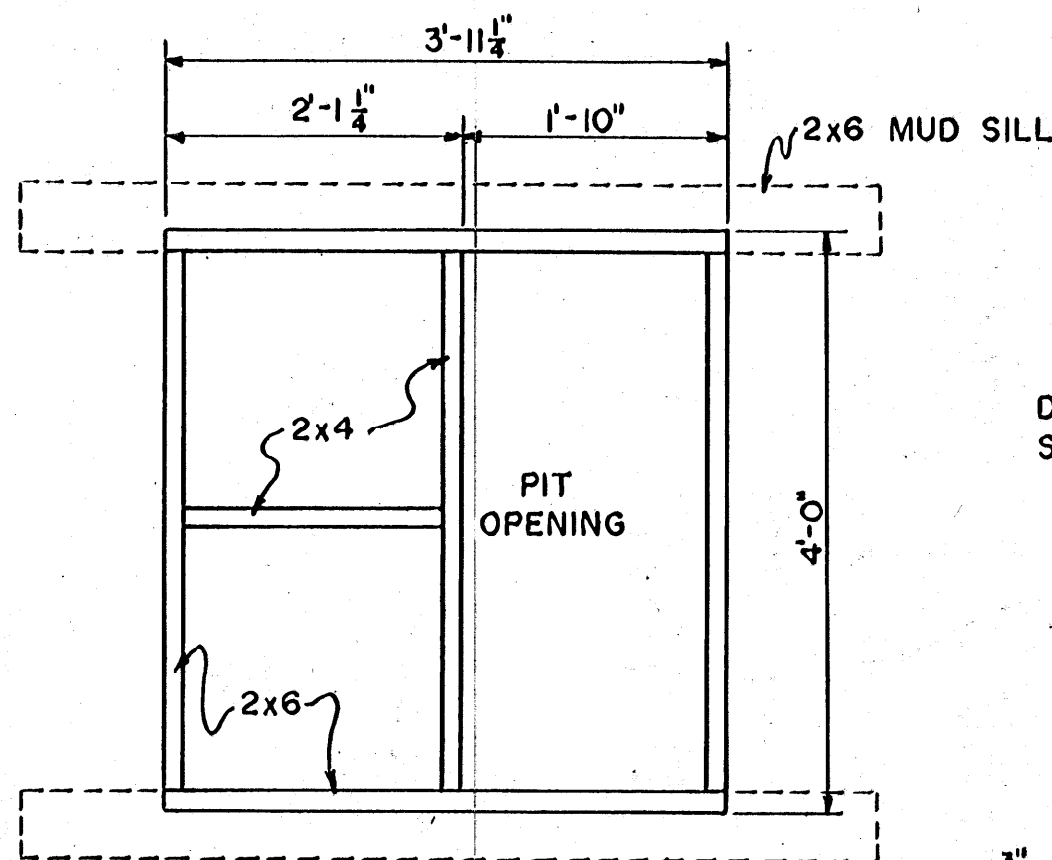
1. ALL PLYWOOD TO BE EXTERIOR TYPE,
2. ALL WOOD BELOW SEAT LEVEL SHOULD BE PRESERVATIVE TREATED.
3. ALL FASTENINGS AND METAL PARTS TO BE CORROSION RESISTANT.



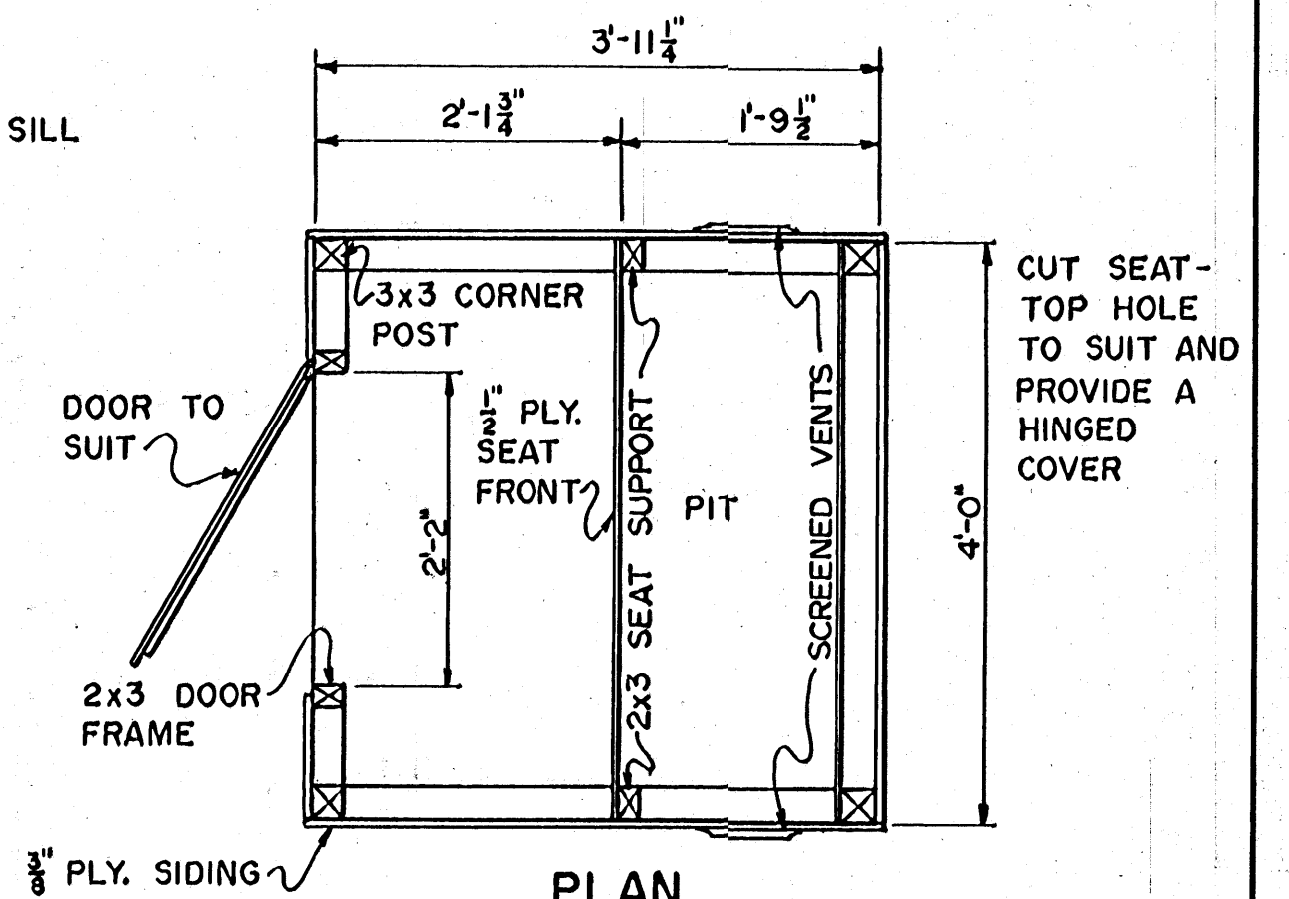
SECTION



PERSPECTIVE



BASE FRAMING PLAN



PLAN

COOPERATIVE EXTENSION WORK IN AGRICULTURE AND HOME ECONOMICS		
STATE OF MISSISSIPPI		
MISSISSIPPI STATE UNIVERSITY		
UNITED STATES DEPARTMENT OF AGRICULTURE COOPERATING		
PIT-TYPE PRIVY		
MASS. '68	EX. 6054	SHEET 1 OF 1

OBTAIN APPROVAL OF LOCAL HEALTH AUTHORITIES BEFORE STARTING CONSTRUCTION