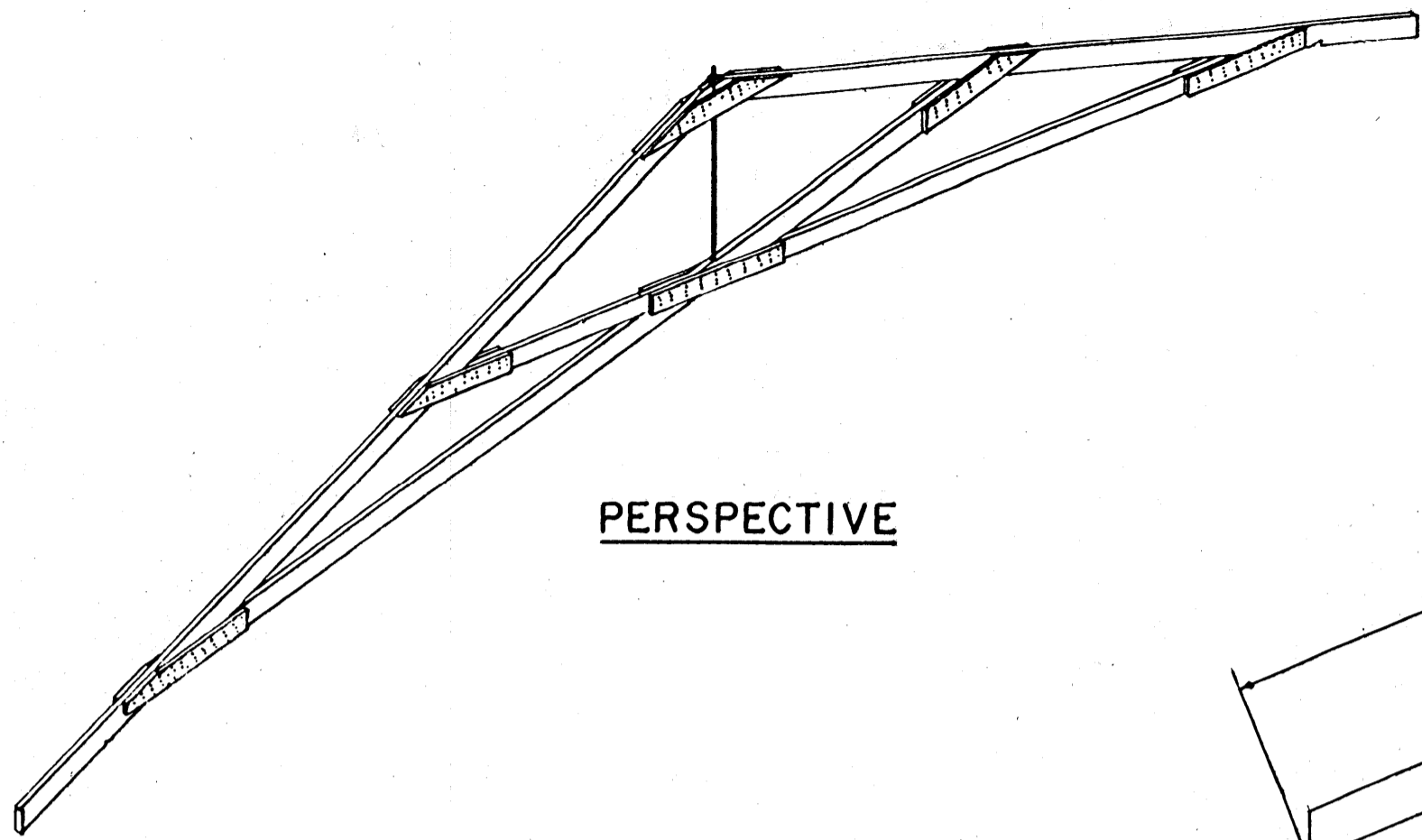
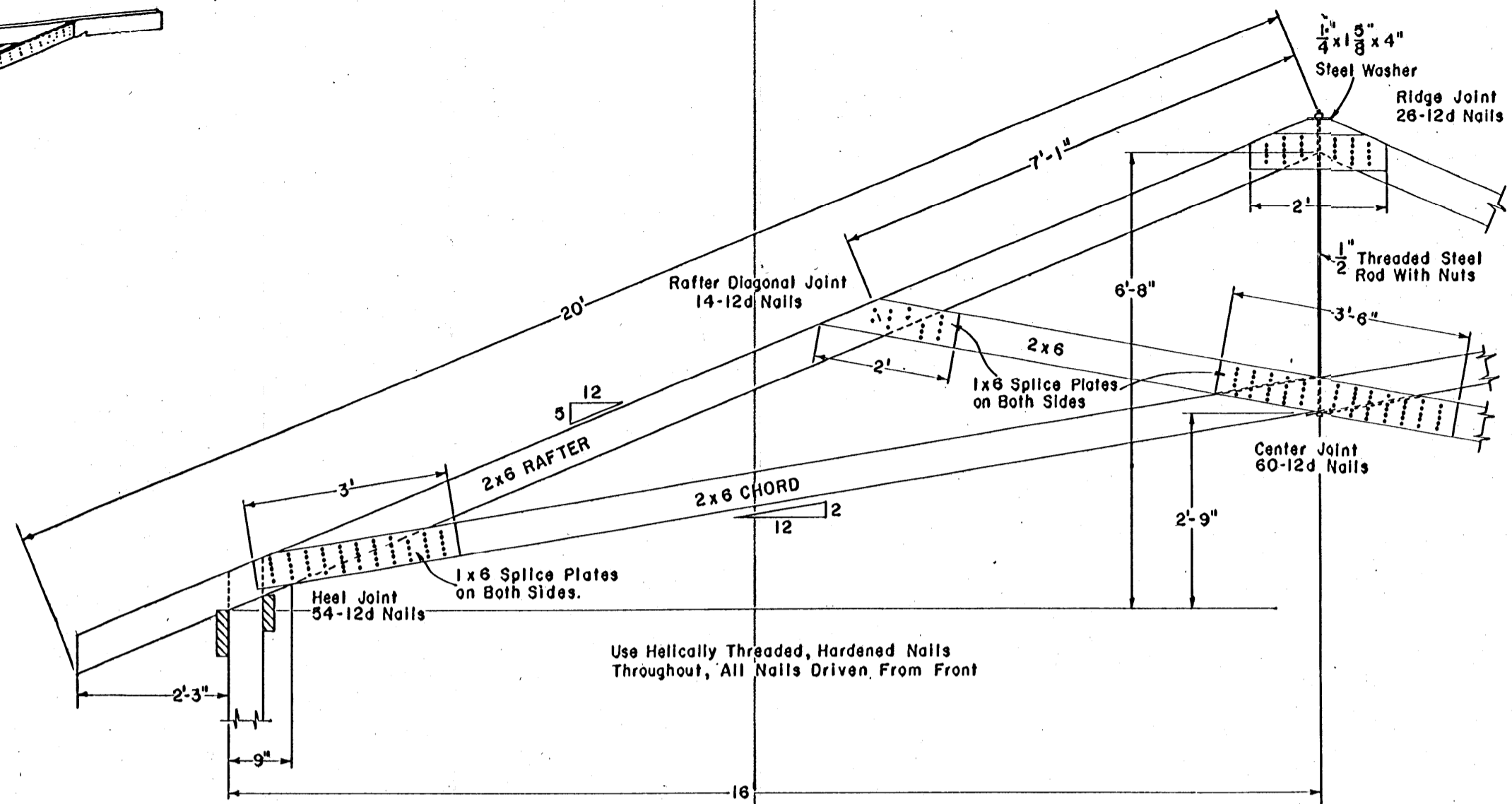


DEVELOPED BY:  
BIOLOGICAL AND AGRICULTURAL ENGINEERING DEPARTMENT  
NORTH CAROLINA STATE UNIVERSITY  
PLAN NO. 832

COOPERATIVE EXTENSION WORK IN AGRICULTURE AND HOME ECONOMICS		
STATE OF MISSISSIPPI		
MISSISSIPPI STATE UNIVERSITY		
AND UNITED STATES DEPARTMENT OF AGRICULTURE COOPERATING		
BROILER HOUSE MECHANICAL OR NATURAL VENTILATION		
N.C.	'69	6084 SHEET 1 OF 2

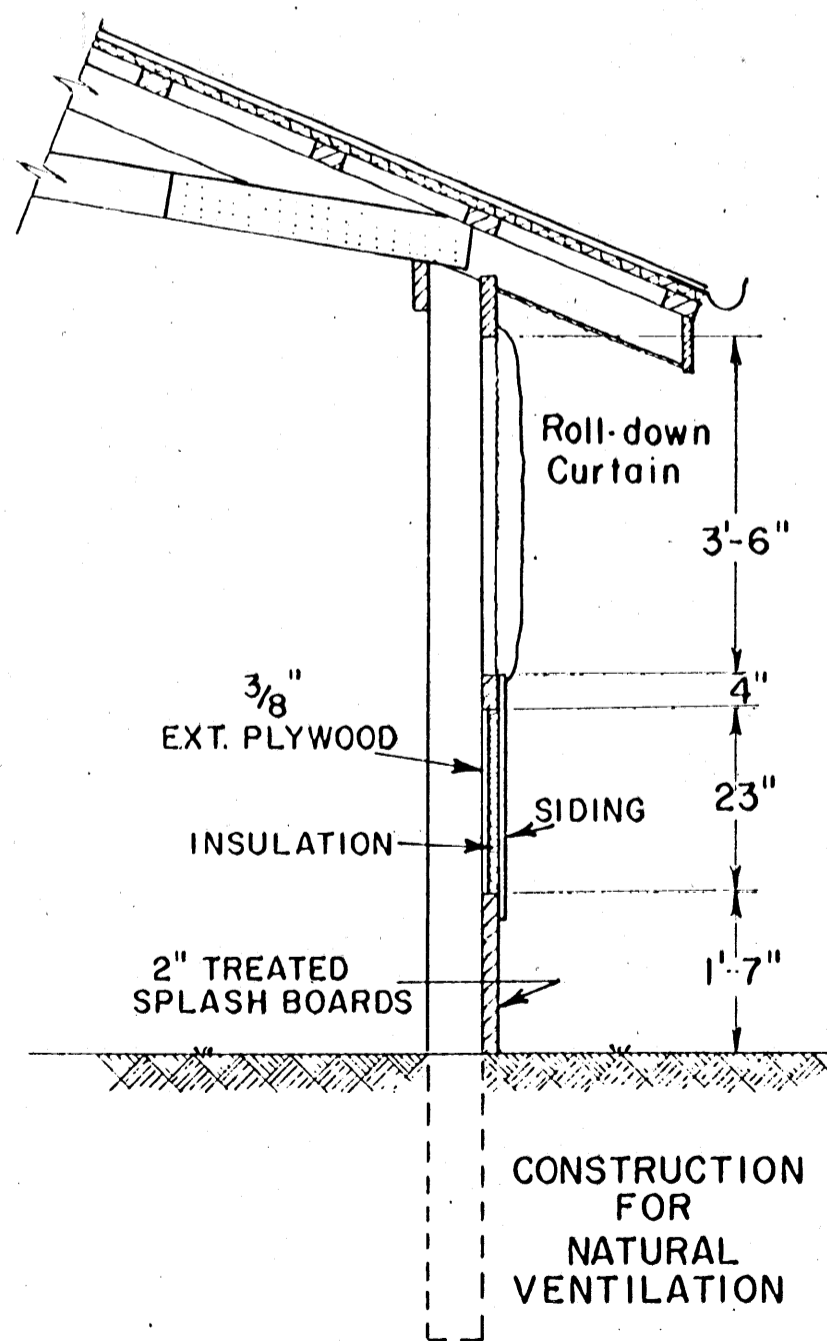
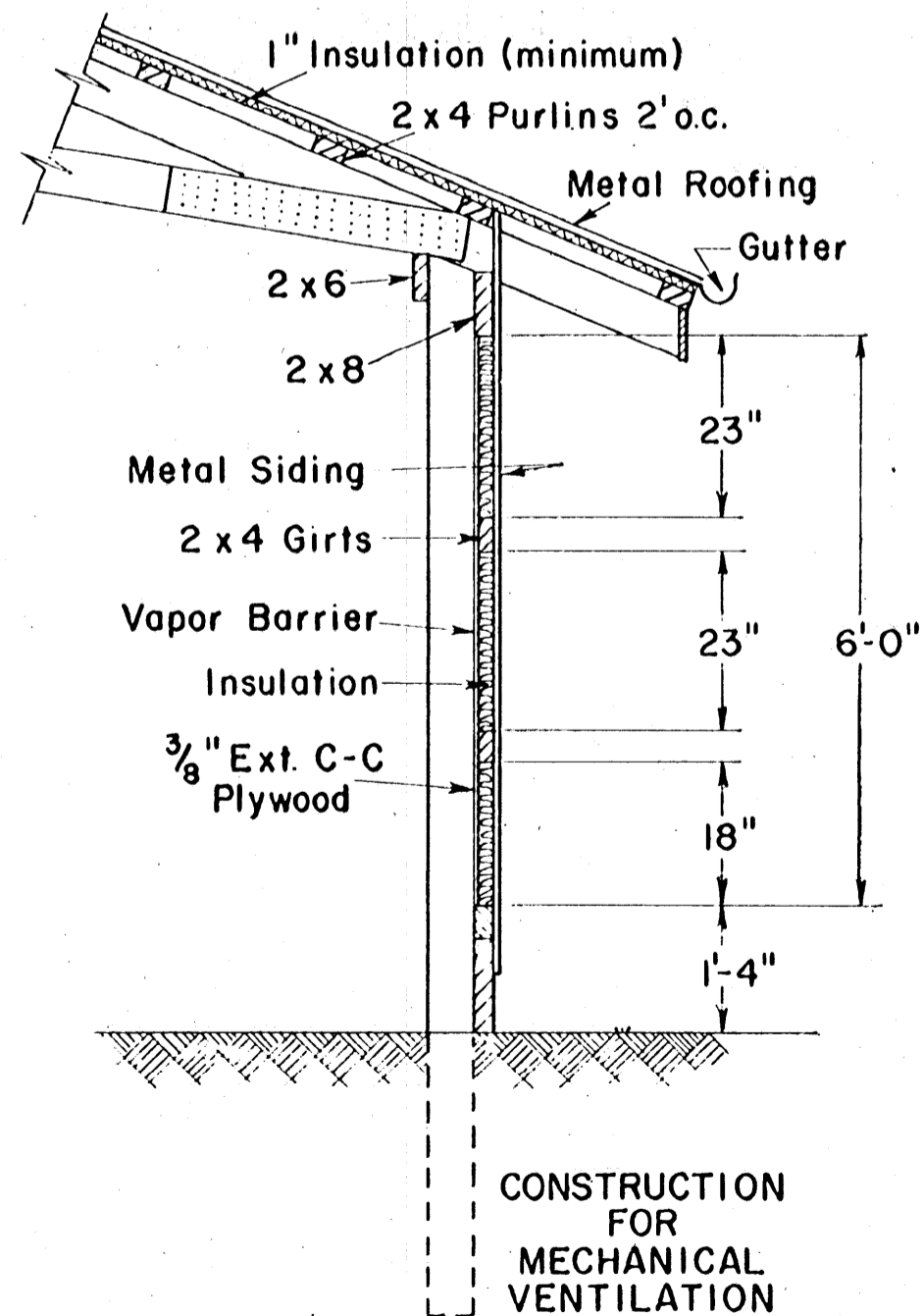


**PERSPECTIVE**

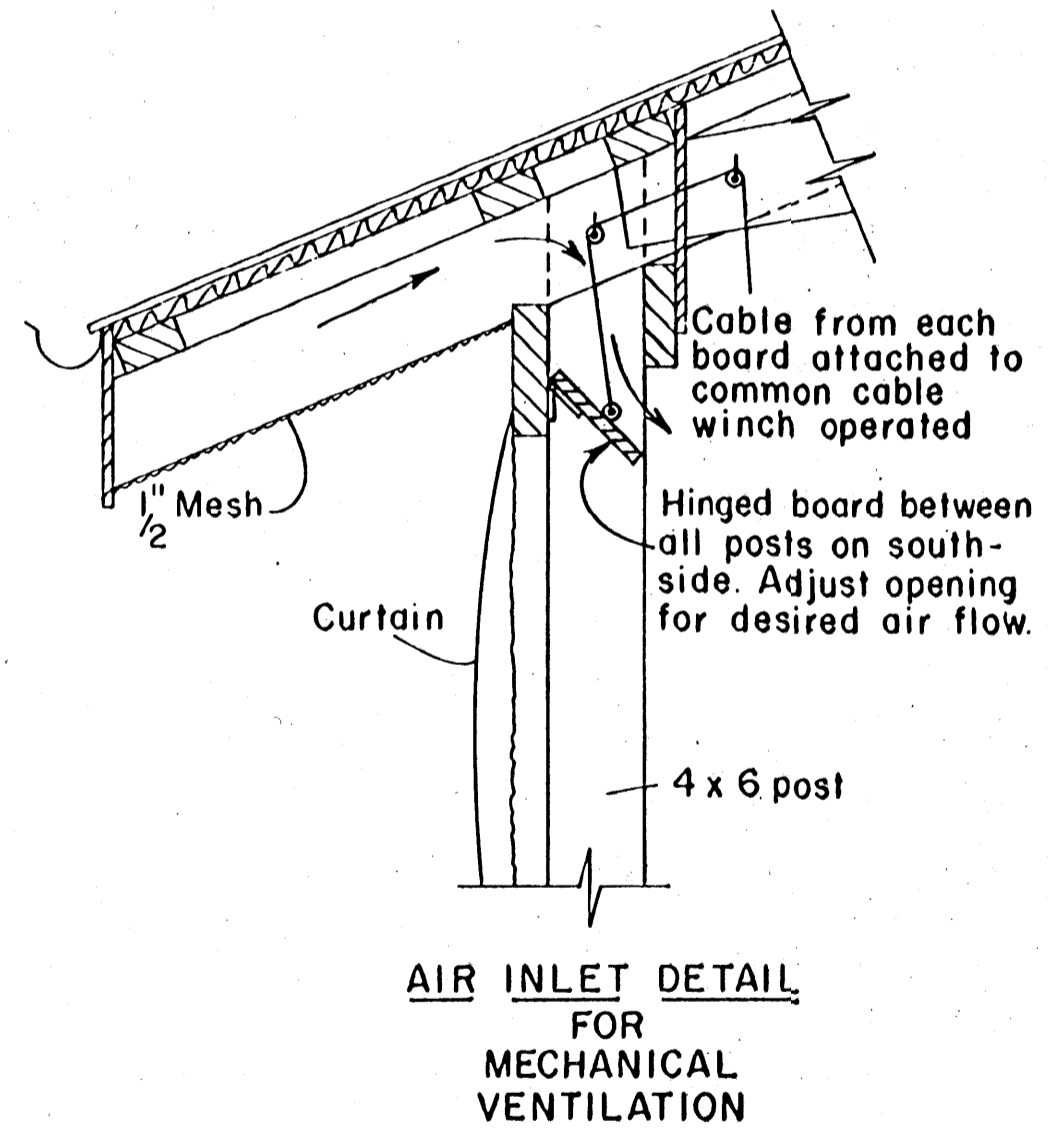


Use Helically Threaded, Hardened Nails Throughout, All Nails Driven From Front

- MATERIALS PER TRUSS:**
- 2 Pcs - 2x6 x 20' (Rafters)
  - 2 Pcs - 2x6 x 23' (Chords)
  - 2 Pcs - 1x6 x 16' (Splice Plates)
  - 1 Pc - 1/2" x 5' (Steel Rod)
  - 222 - 12d (Threaded Nails)
  - 2 Pcs - Steel Washer



**NORTH WALL DETAIL**  
Scale: 1/2" = 1'-0"



COOPERATIVE EXTENSION WORK IN  
AGRICULTURE AND HOME ECONOMICS  
STATE OF MISSISSIPPI  
MISSISSIPPI STATE UNIVERSITY  
AND  
UNITED STATES DEPARTMENT OF AGRICULTURE COOPERATING

**BROILER HOUSE**  
**MECHANICAL OR NATURAL VENTILATION**

N. C.	'69	<b>6084</b>	SHEET 2 OF 2
-------	-----	-------------	--------------