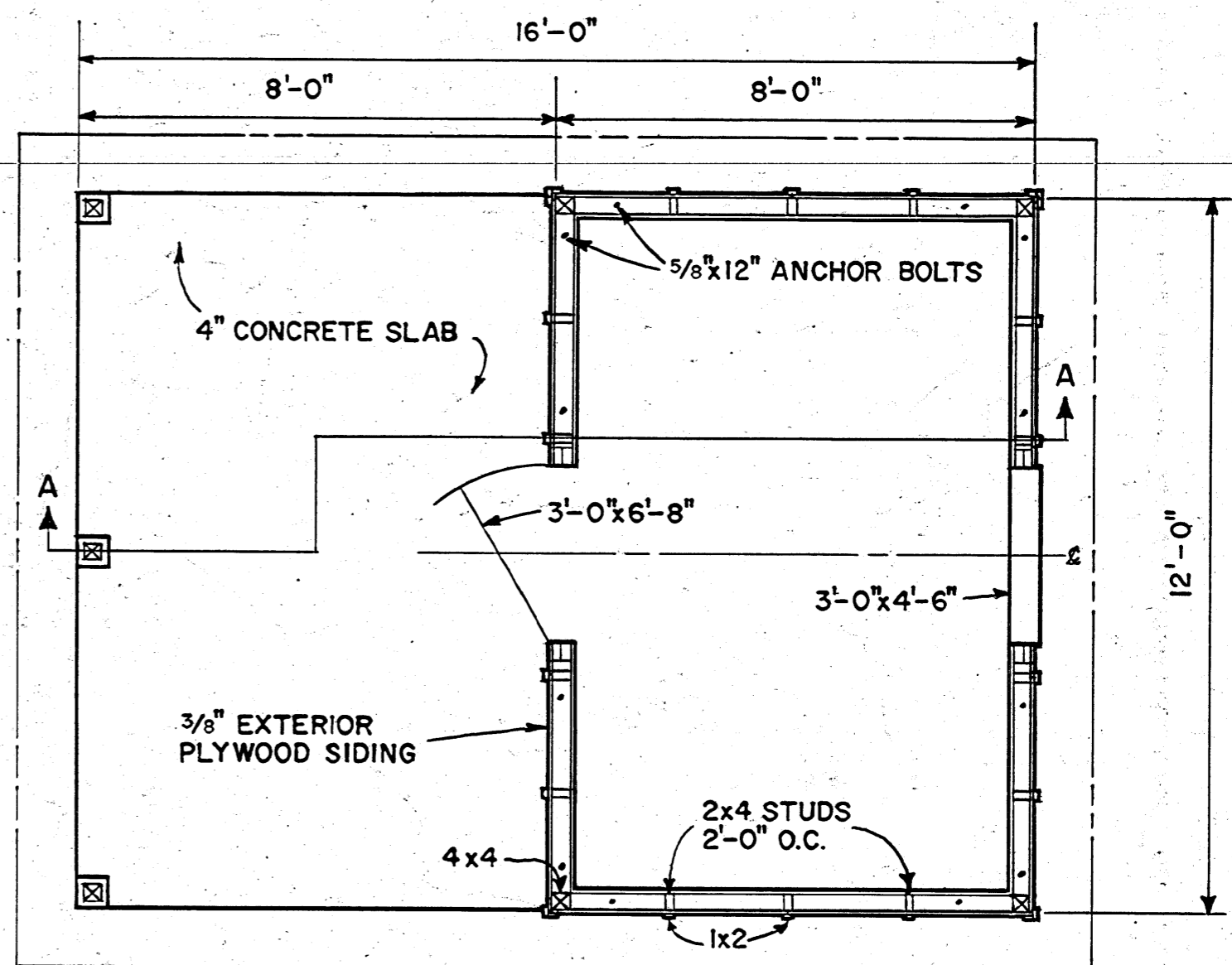
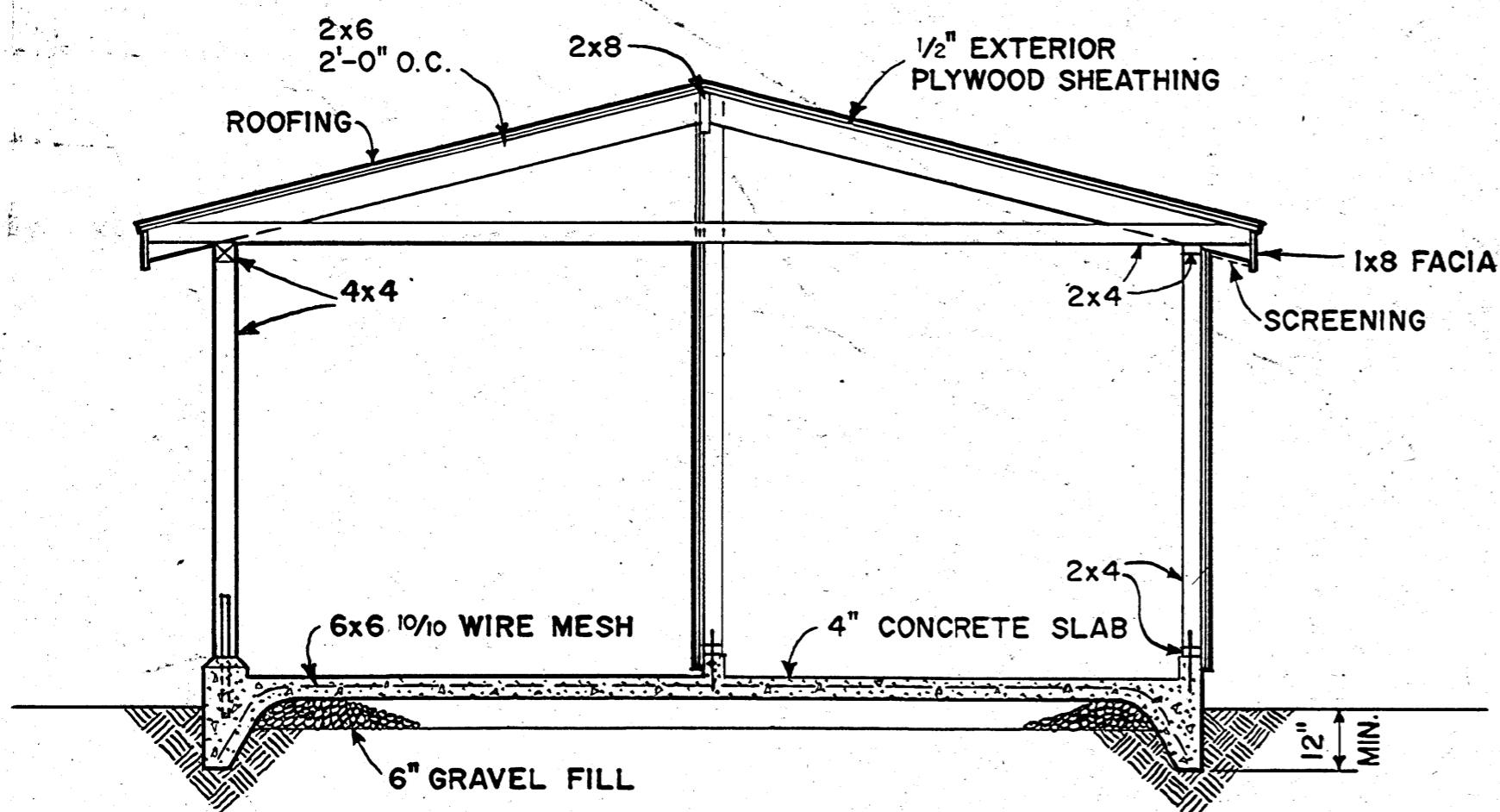


SIDE ELEVATION  
SCALE: 3/8"=1'-0"



PLAN  
SCALE: 3/8"=1'-0"

TYPE I



SECTION A-A  
SCALE: 3/8"=1'-0"

NOTE: ALL 4x4 POSTS TO BE FASTENED WITH 3/16" x 1 1/2" STEEL U-STRAP ANCHORS CAST INTO CONCRETE 12" ENDS TO EXTEND 12" ON SIDES OF POST. FASTEN WITH TWO 3/8" x 2 1/2" LAG SCREWS, STAGGERED, EACH SIDE.

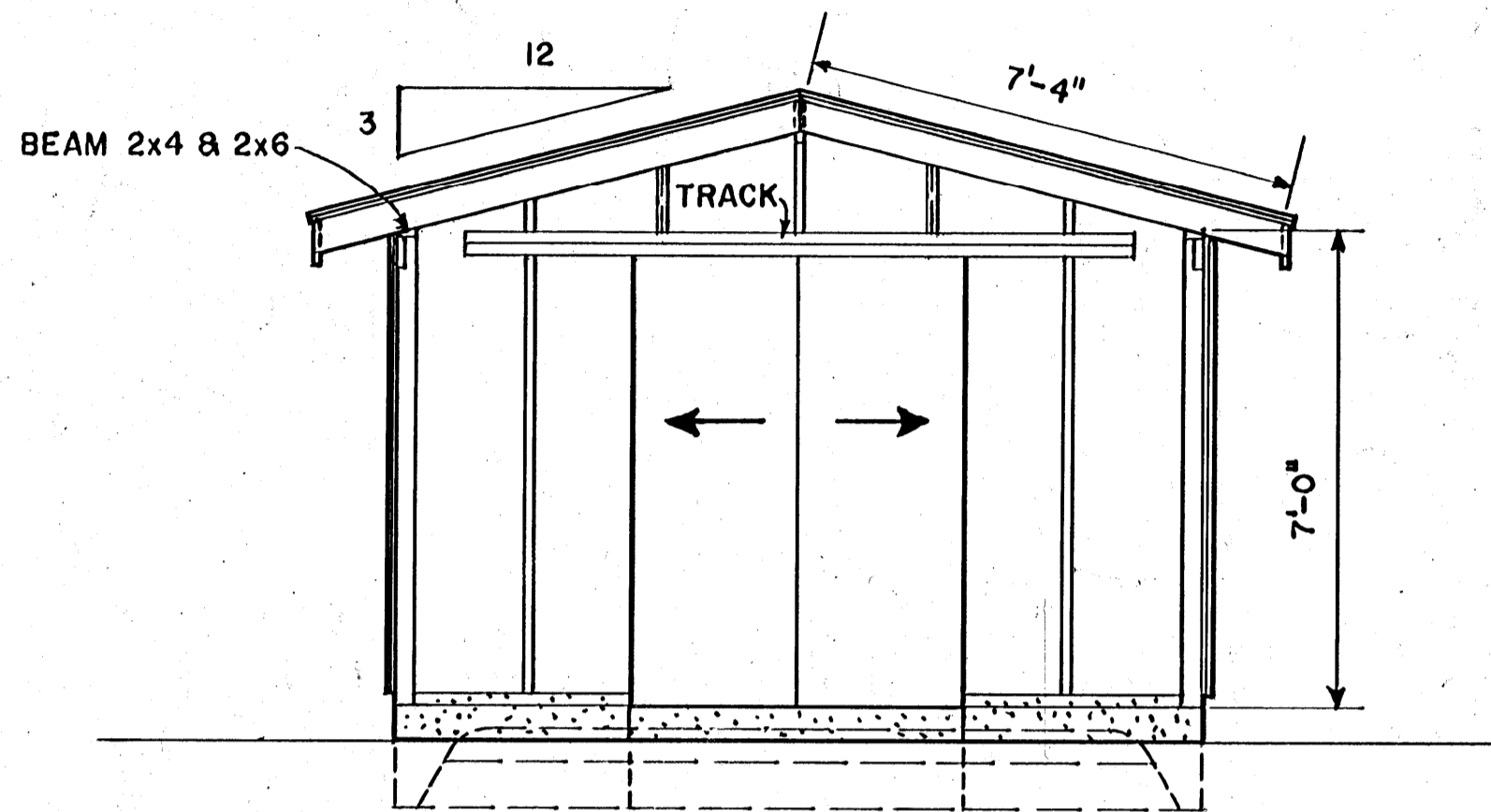
FOR OPENINGS UP TO 4'-0" USE TWO 2x4'S  
FOR OPENINGS UP TO 5'-6" USE TWO 2x6'S

COOPERATIVE EXTENSION WORK IN  
AGRICULTURE AND HOME ECONOMICS  
STATE OF MISSISSIPPI  
MISSISSIPPI STATE UNIVERSITY  
AND  
UNITED STATES DEPARTMENT OF AGRICULTURE COOPERATING

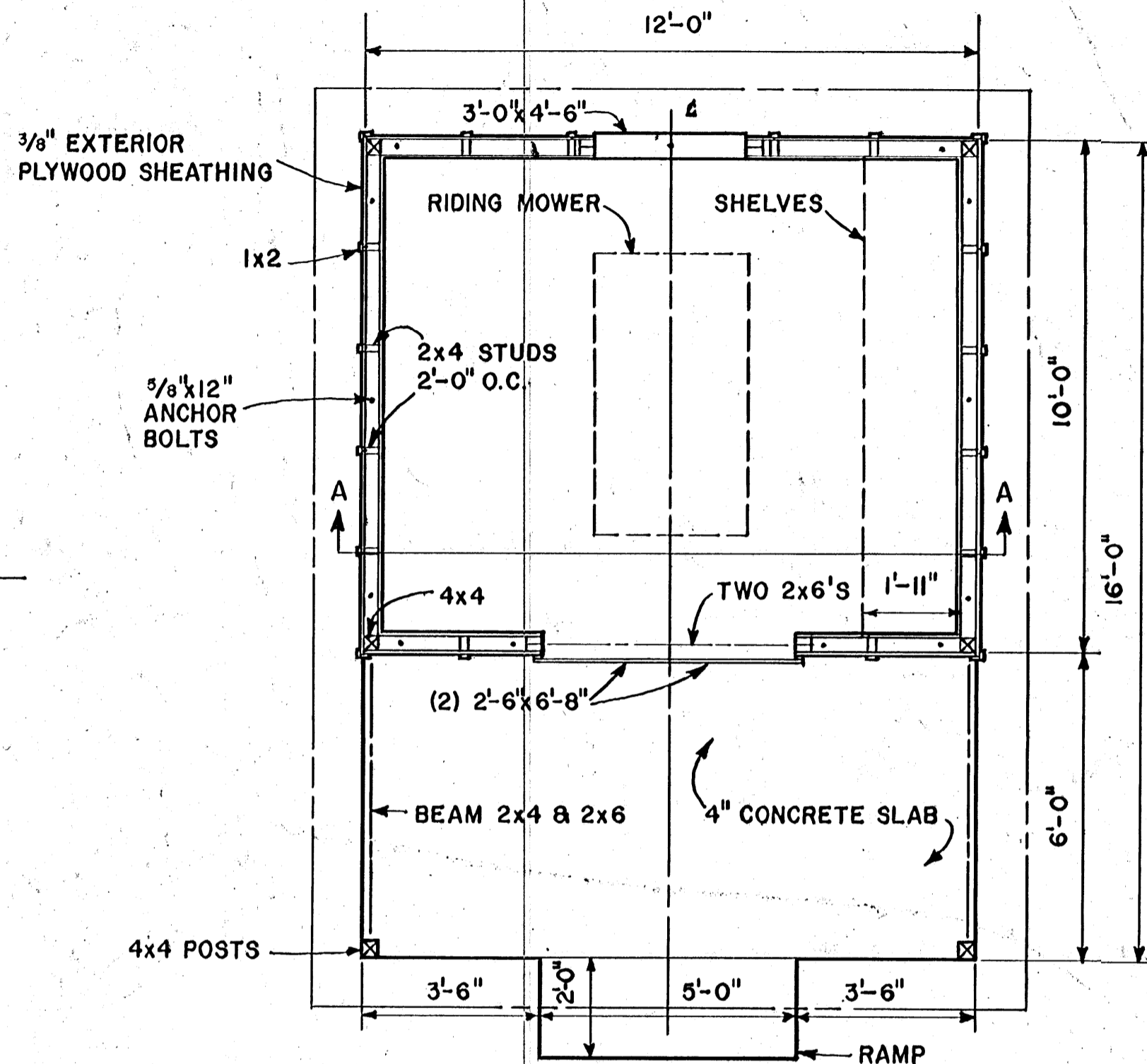
STORAGE SHEDS

S.C.	'69	6086	SHEET 1 OF 3
------	-----	------	--------------

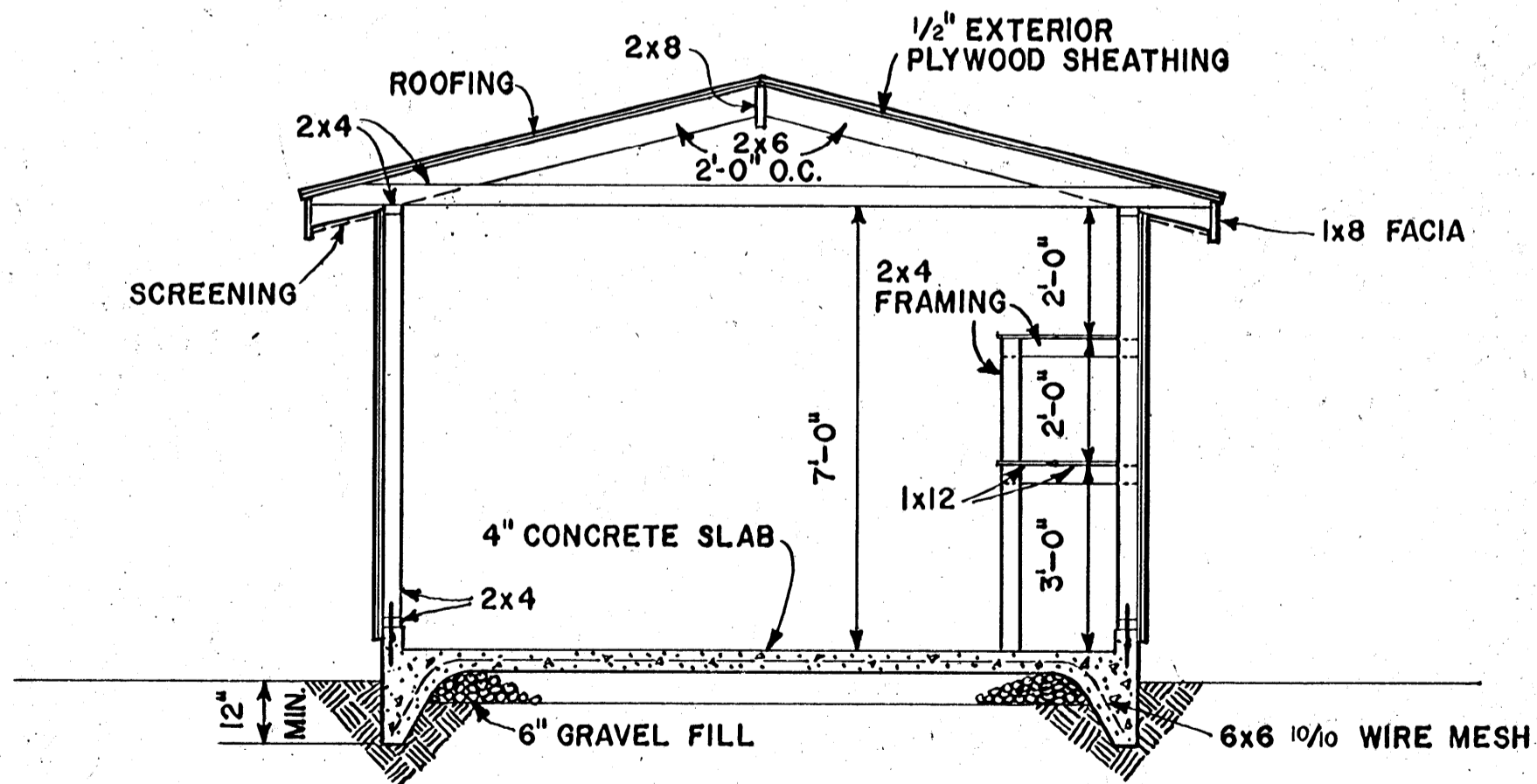
BASED ON: CLEMSON UNIV. S.C. PLAN 350



**FRONT ELEVATION**  
SCALE:  $\frac{3}{8}$ " = 1'-0"



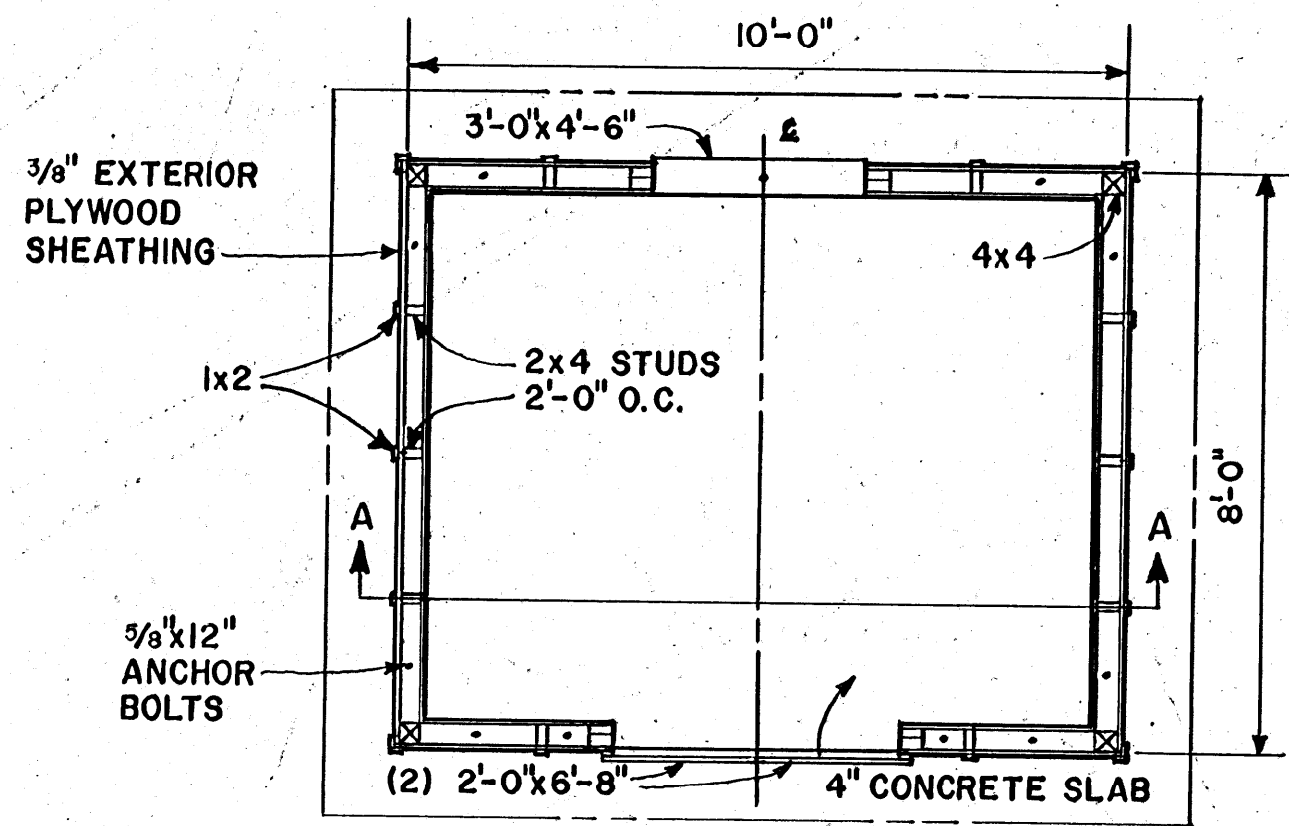
**PLAN**  
SCALE:  $\frac{3}{8}$ " = 1'-0"



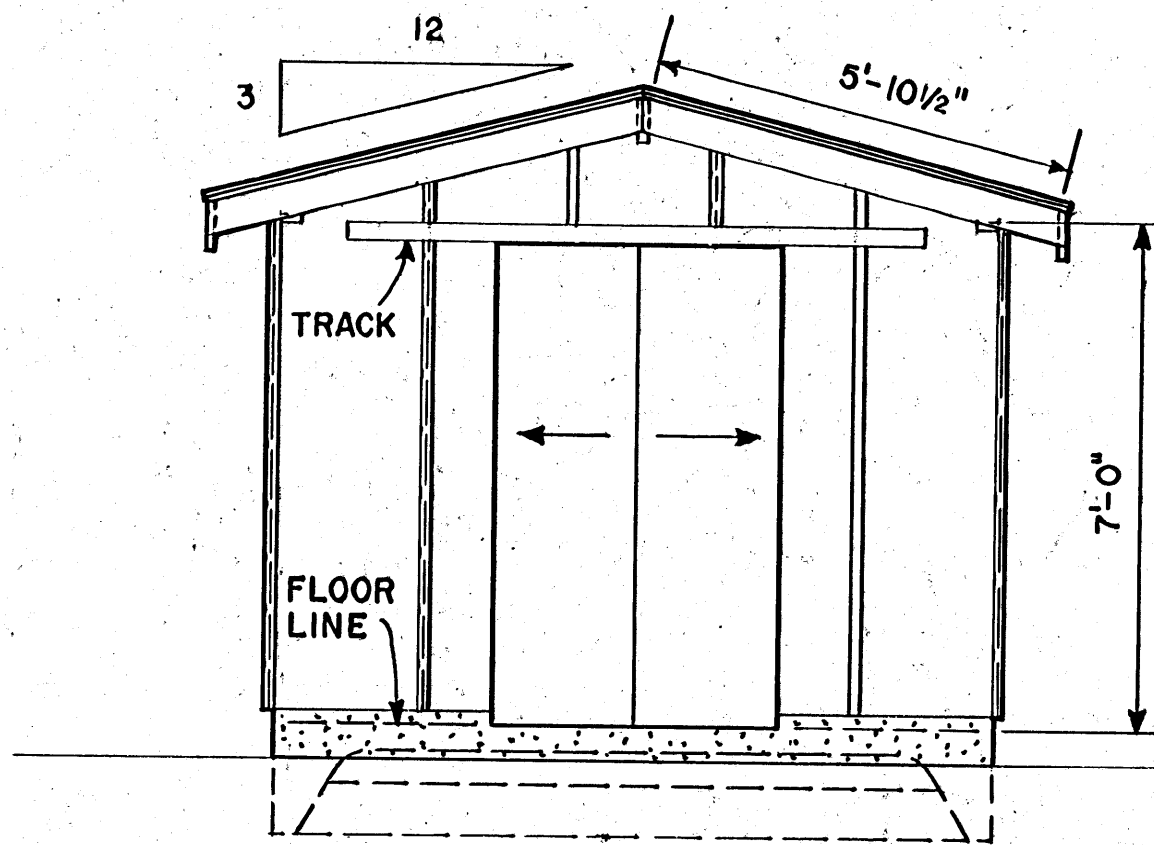
**SECTION A-A**  
SCALE:  $\frac{3}{8}$ " = 1'-0"

**TYPE 2**

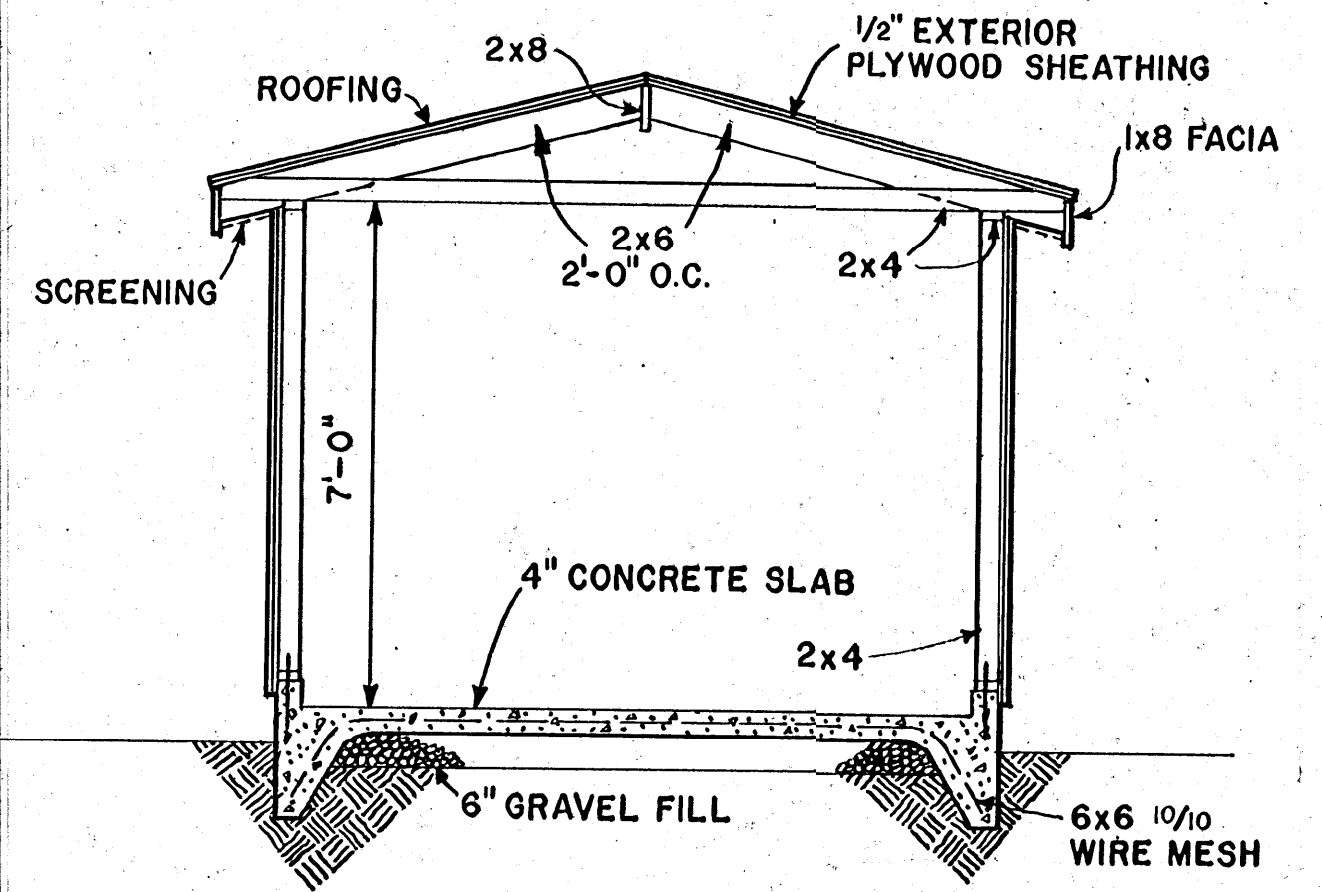
COOPERATIVE EXTENSION WORK IN AGRICULTURE AND HOME ECONOMICS		
STATE OF MISSISSIPPI MISSISSIPPI STATE UNIVERSITY		
UNITED STATES DEPARTMENT OF AGRICULTURE COOPERATING		
<b>STORAGE SHEDS</b>		
S.C.	'69	6086 SHEET 2 OF 3



PLAN

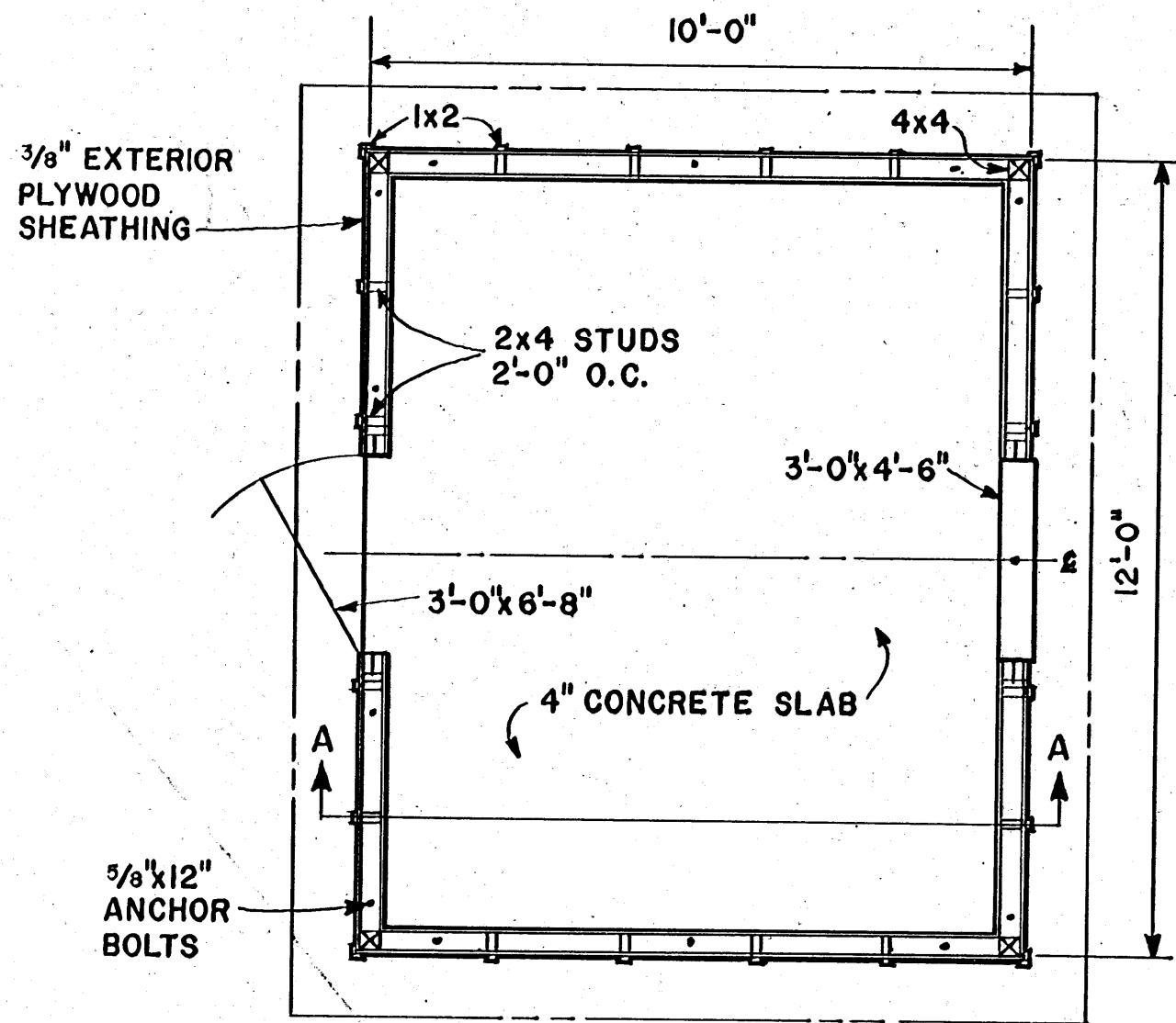


FRONT ELEVATION

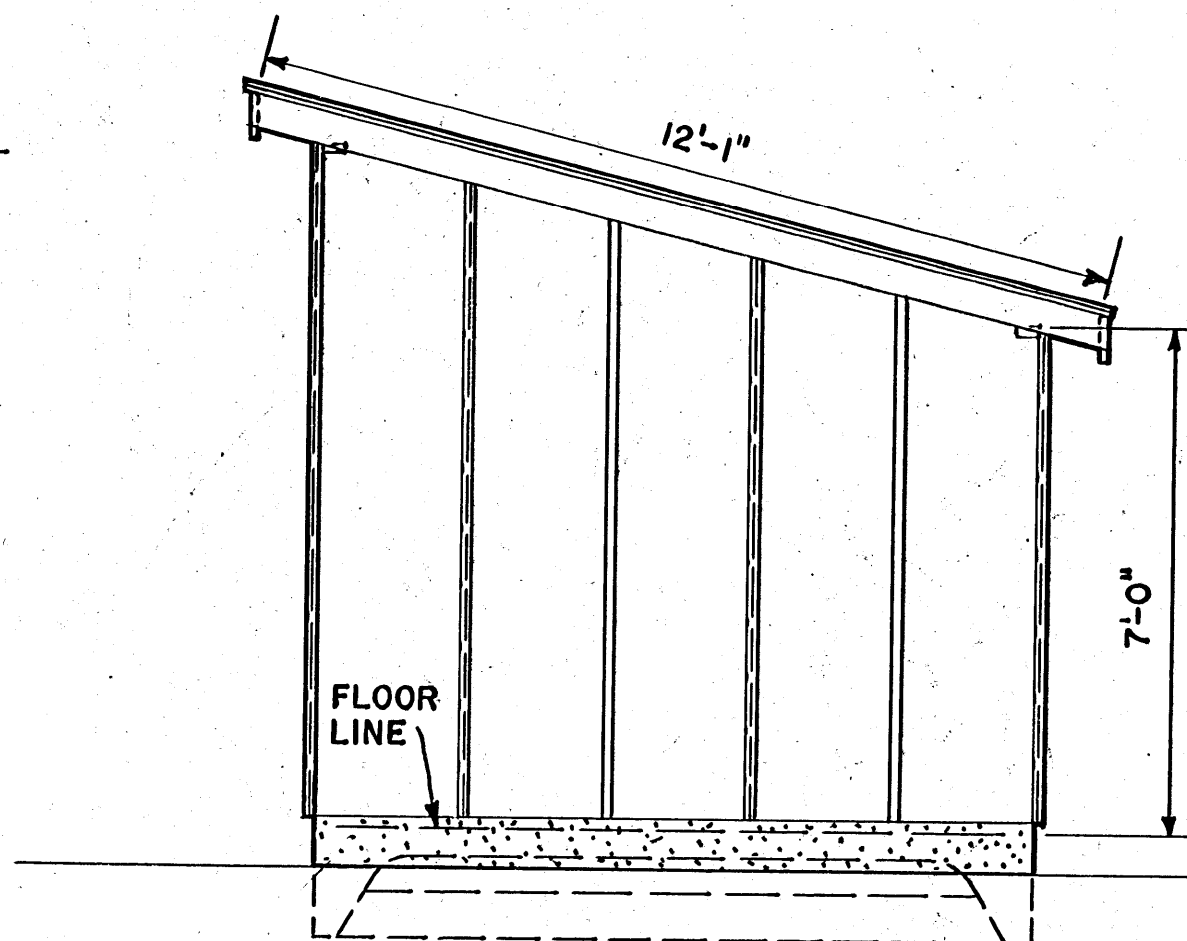


SECTION A-A

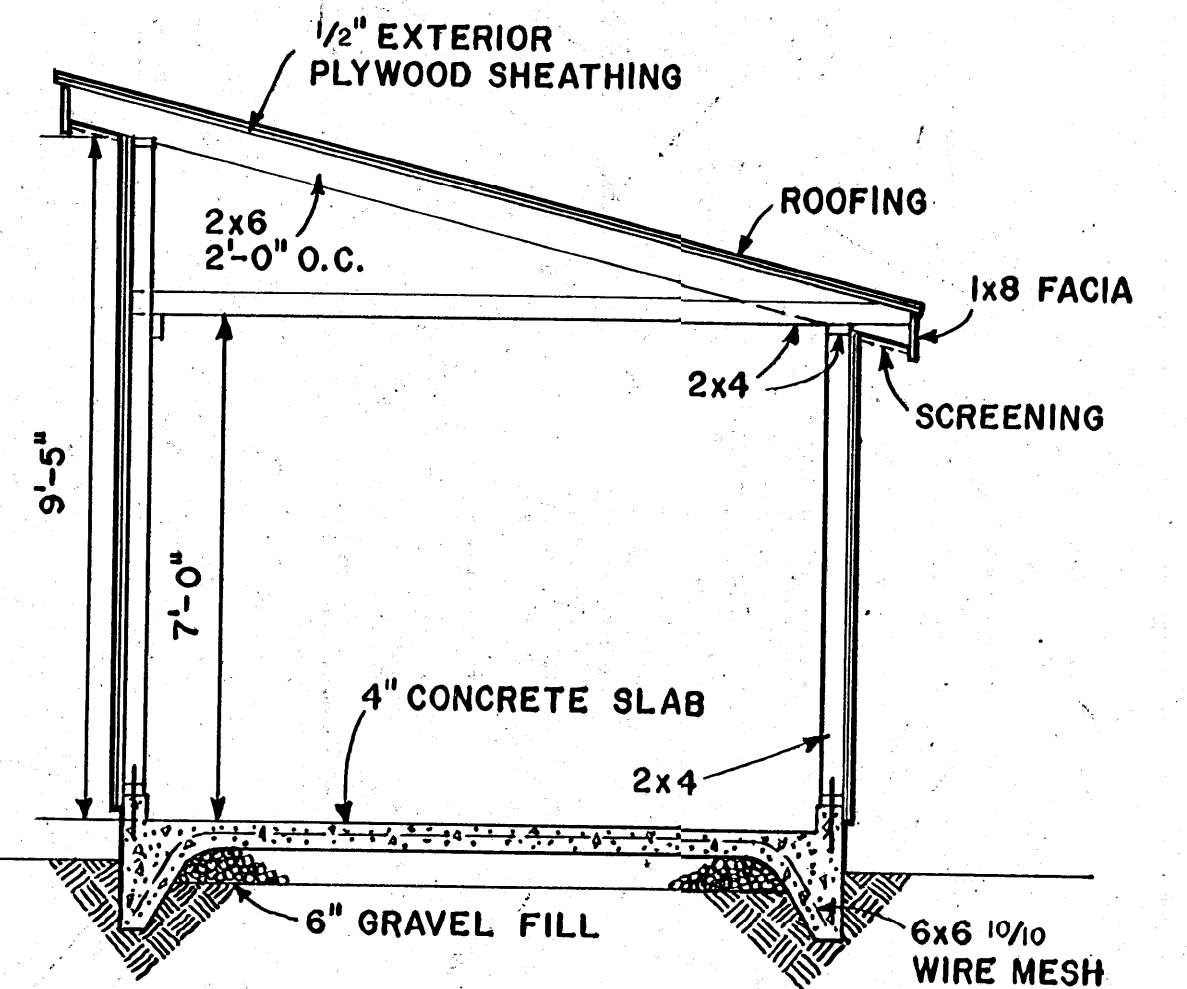
TYPE 3  
SCALE: 3/8"=1'-0"



PLAN



SIDE ELEVATION



SECTION A-A

TYPE 4  
SCALE: 3/8"=1'-0"

COOPERATIVE EXTENSION WORK IN  
AGRICULTURE AND HOME ECONOMICS  
STATE OF MISSISSIPPI  
MISSISSIPPI STATE UNIVERSITY  
AND  
UNITED STATES DEPARTMENT OF AGRICULTURE COOPERATING

STORAGE SHEDS

S.C. '69 6086 SHEET 3 OF 3