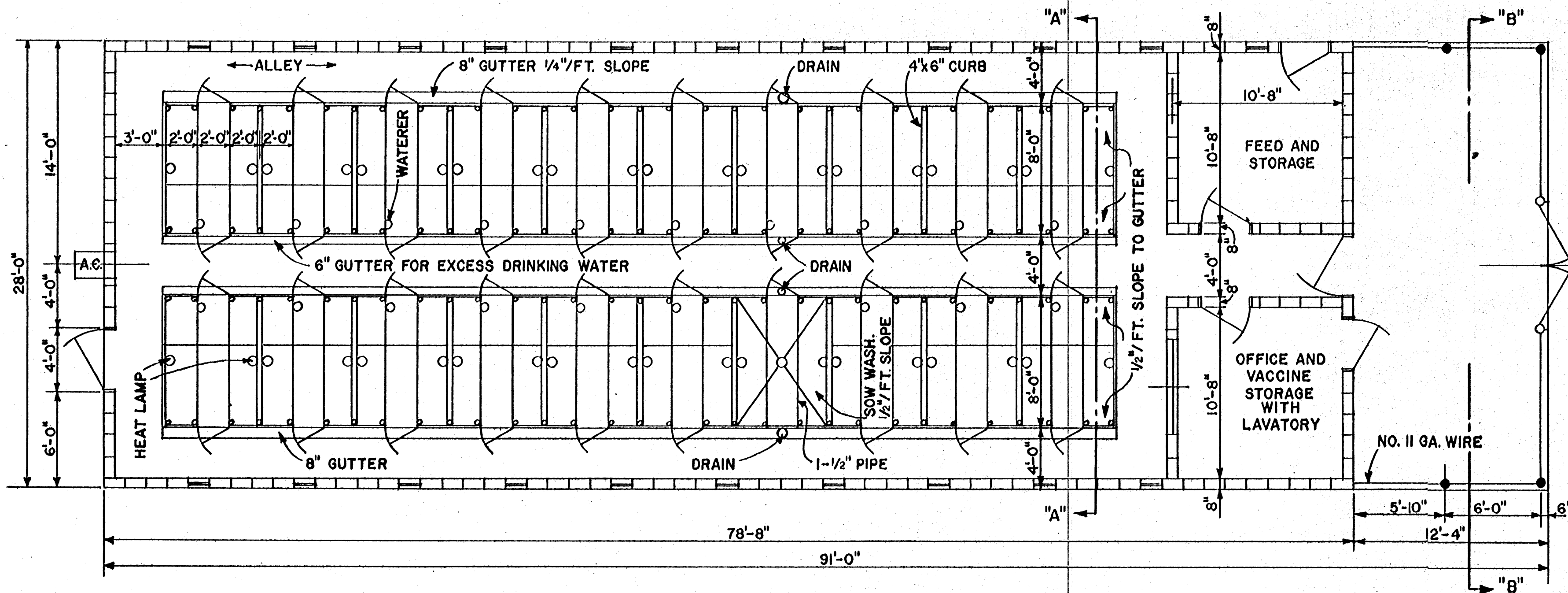
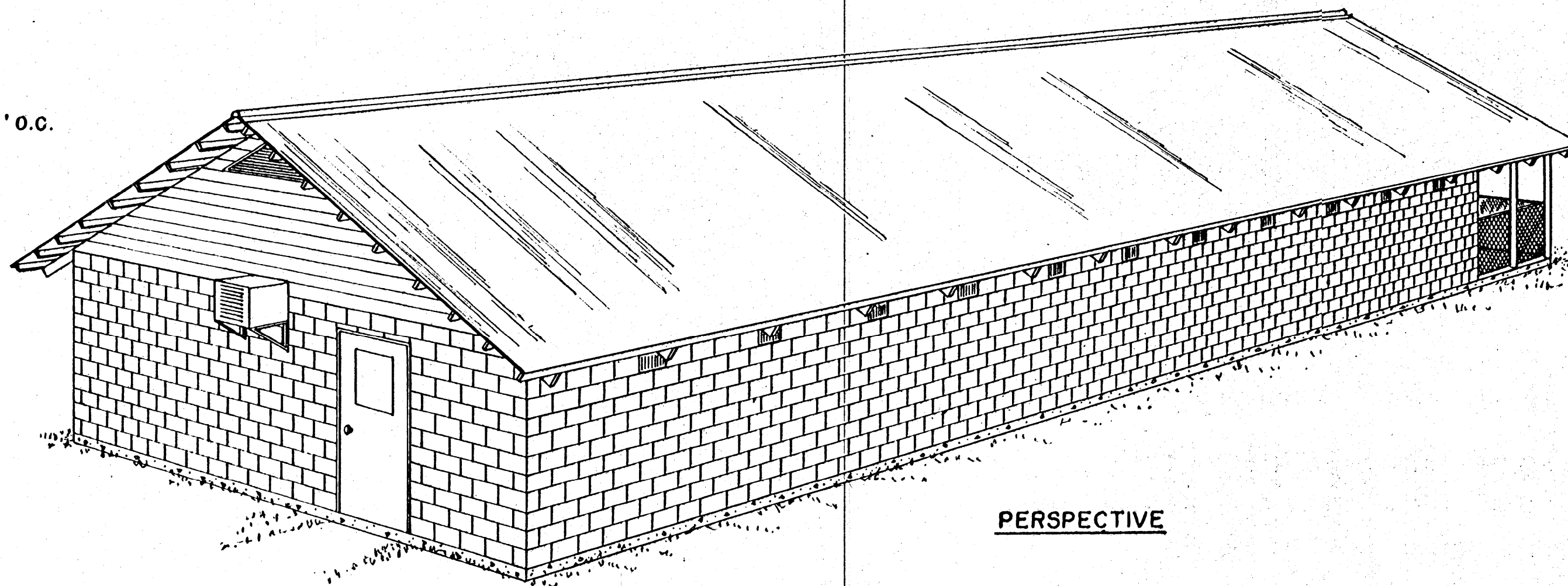


PURLIN SPLICE DETAIL



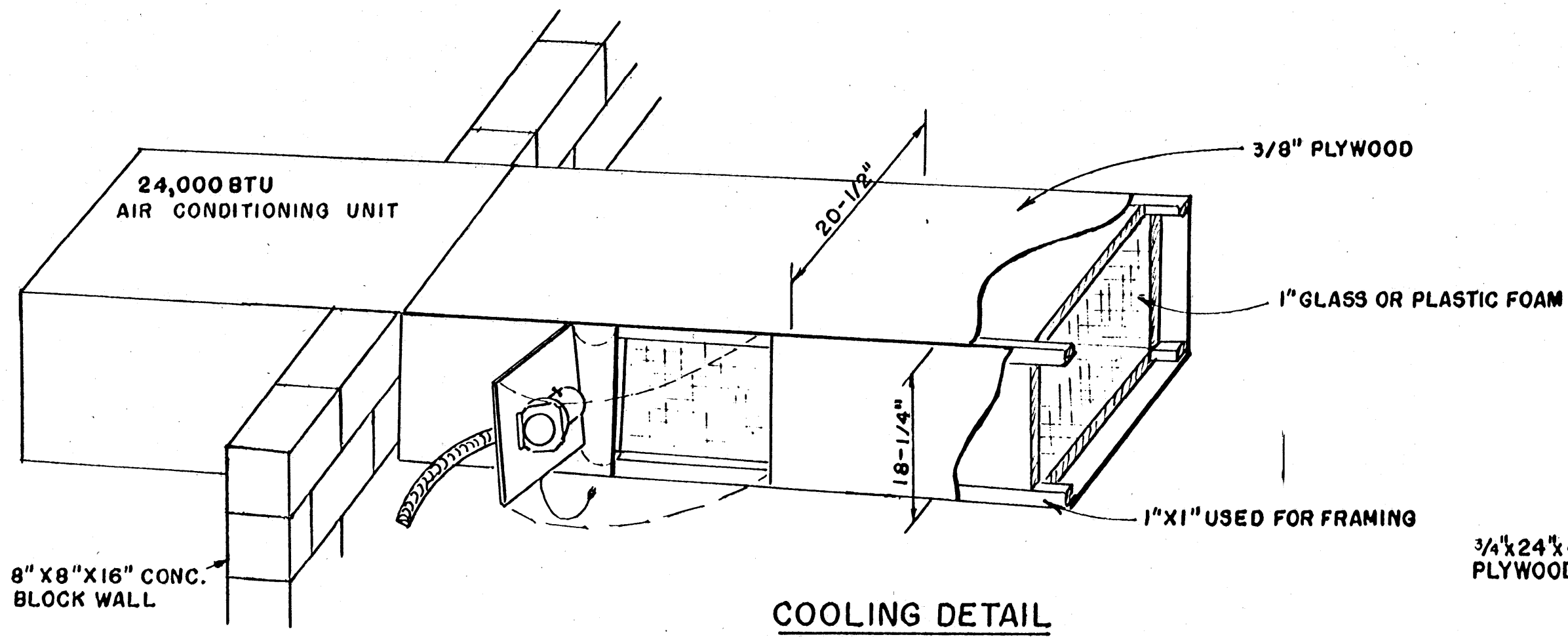
PLAN VIEW
 SCALE: 3/16" = 1'-0"

COOPERATIVE EXTENSION WORK IN
 AGRICULTURE AND HOME ECONOMICS
 STATE OF MISSISSIPPI
 MISSISSIPPI STATE UNIVERSITY
 UNITED STATES DEPARTMENT OF AGRICULTURE COOPERATING

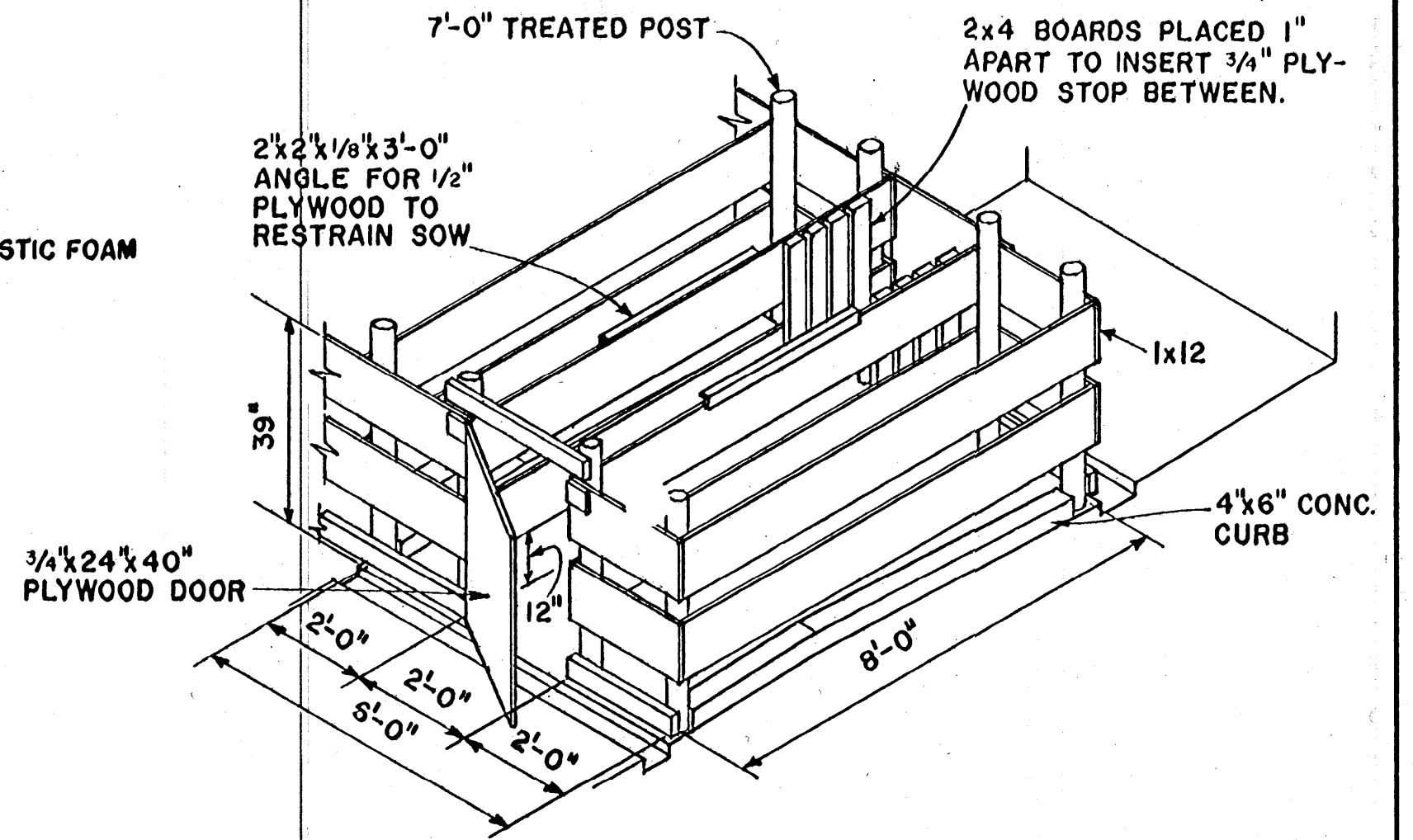
**FARROWING HOUSE
 FOR HOGS**

ALA. '70 6088 SHEET 1 OF 3

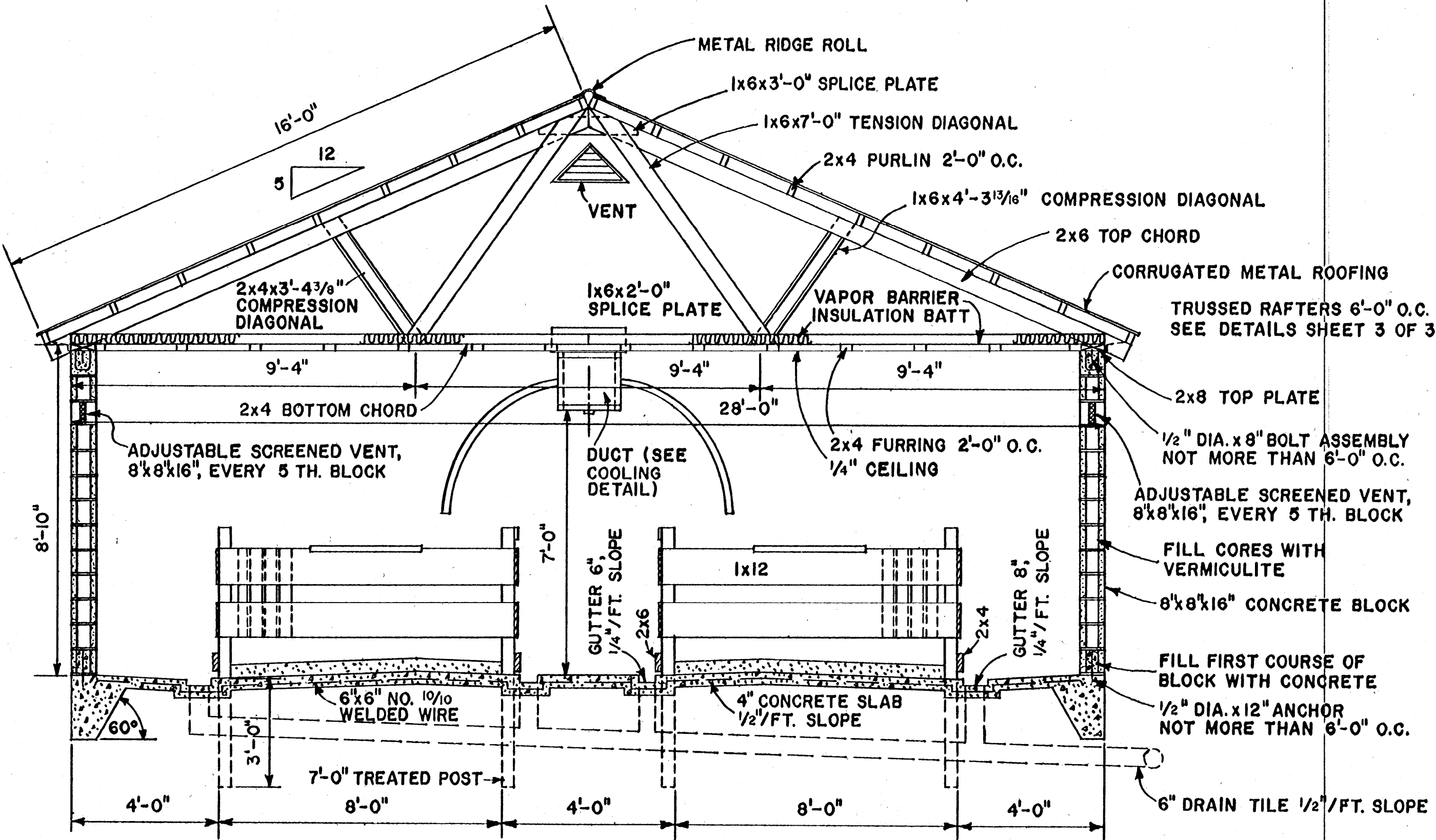
BASED ON AUBURN UNIV. PLAN J-113



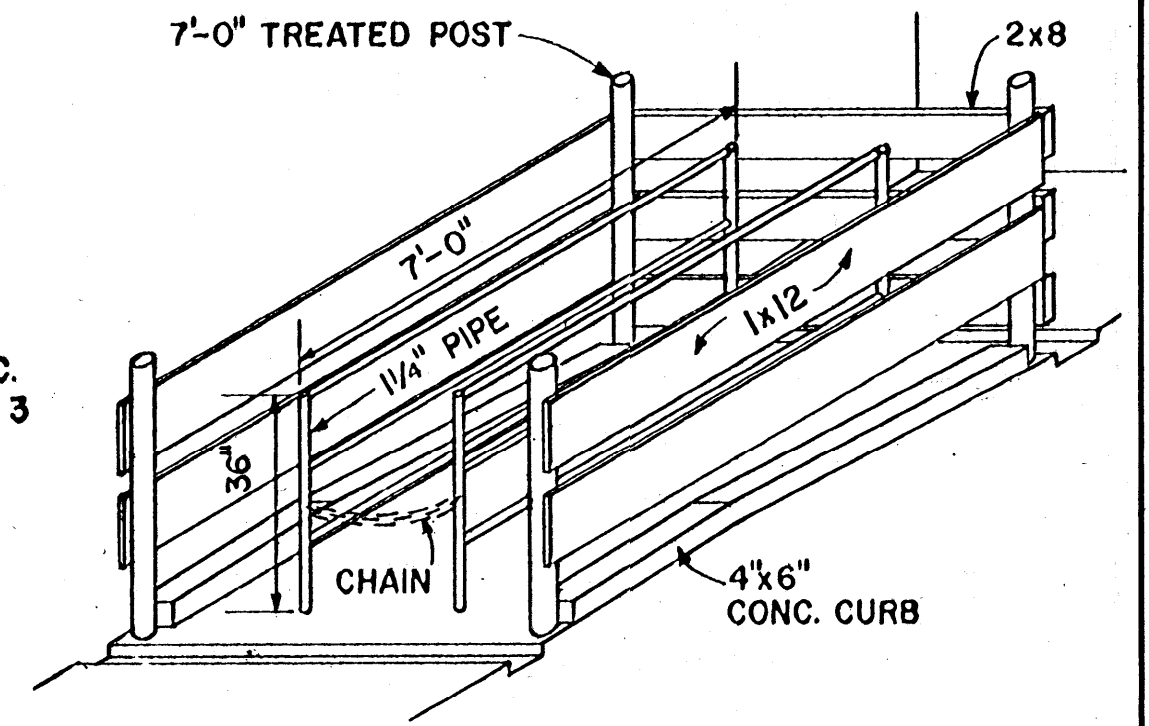
COOLING DETAIL



FARROWING JACKET DETAIL



SECTION "A-A"
SCALE: 3/8"=1'-0"

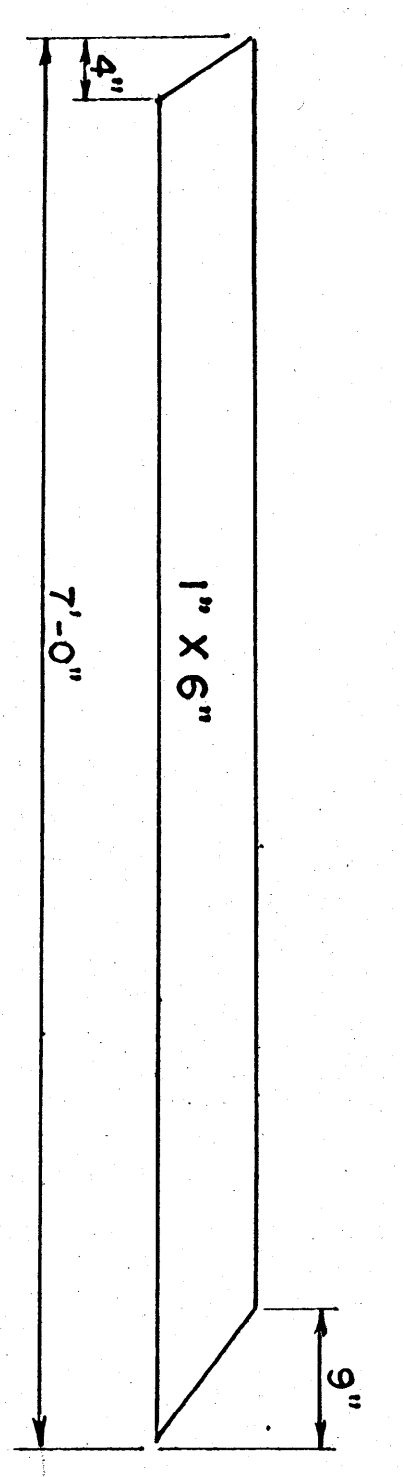
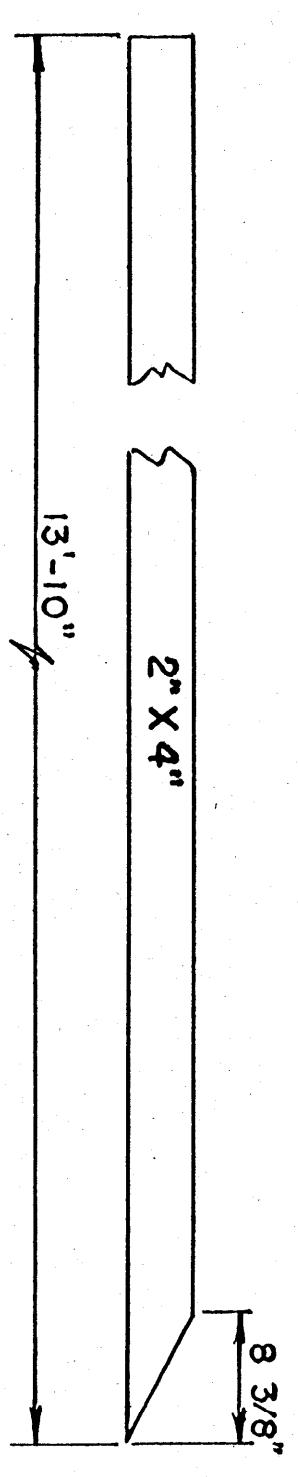
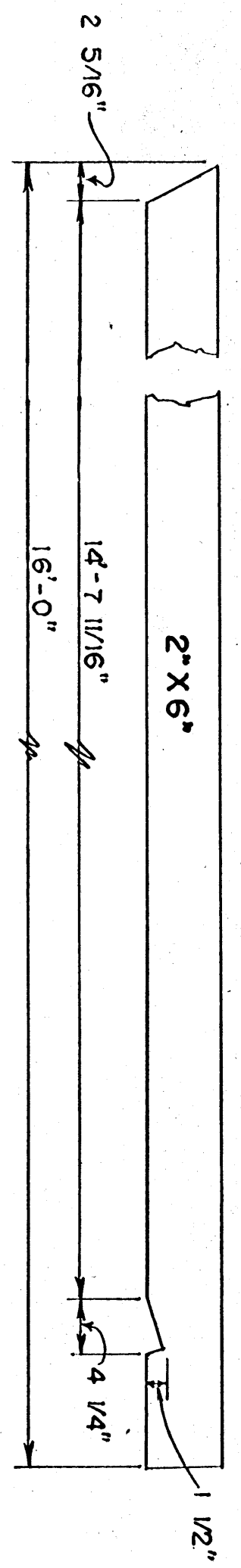
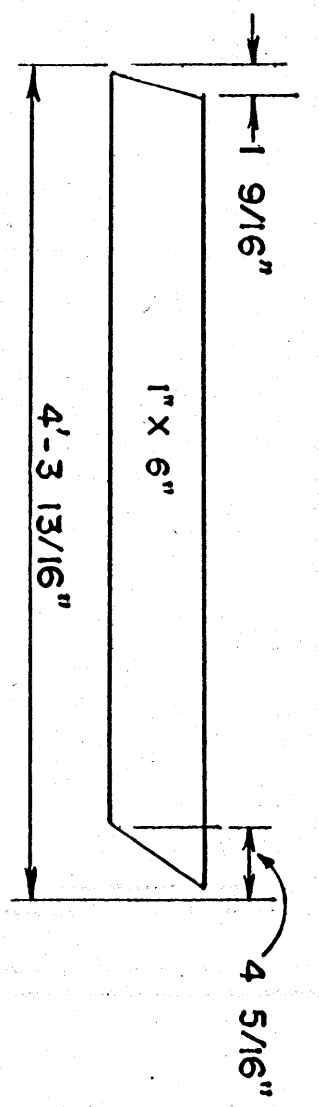
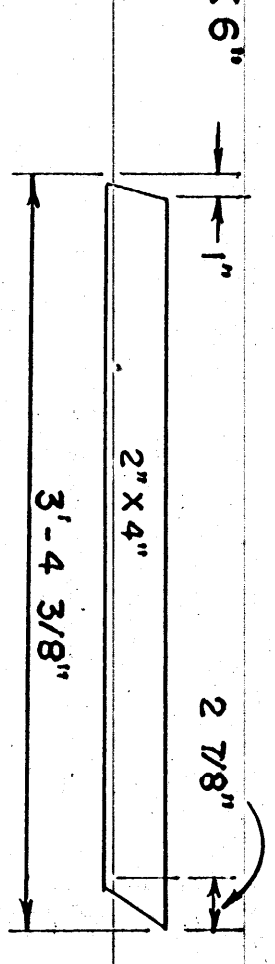
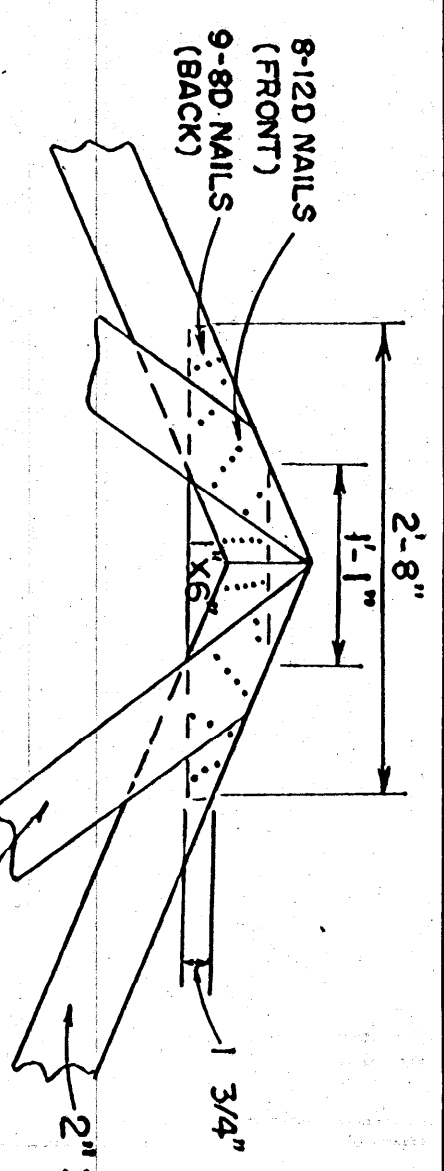
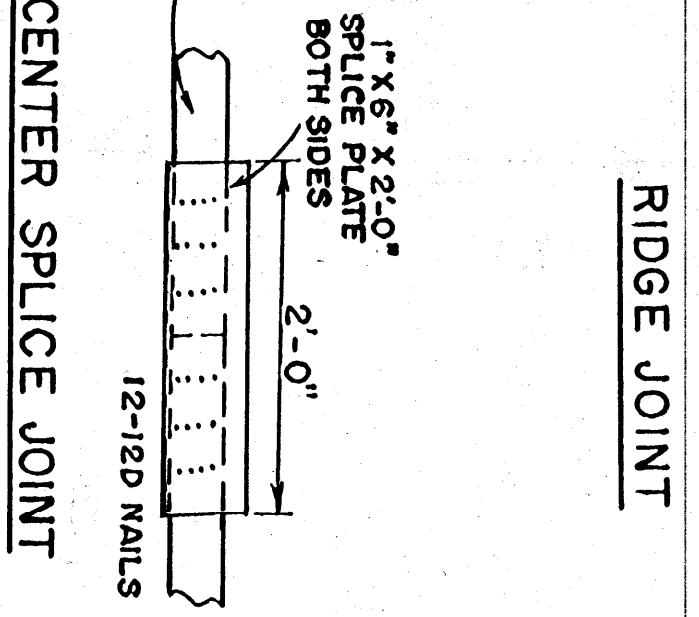
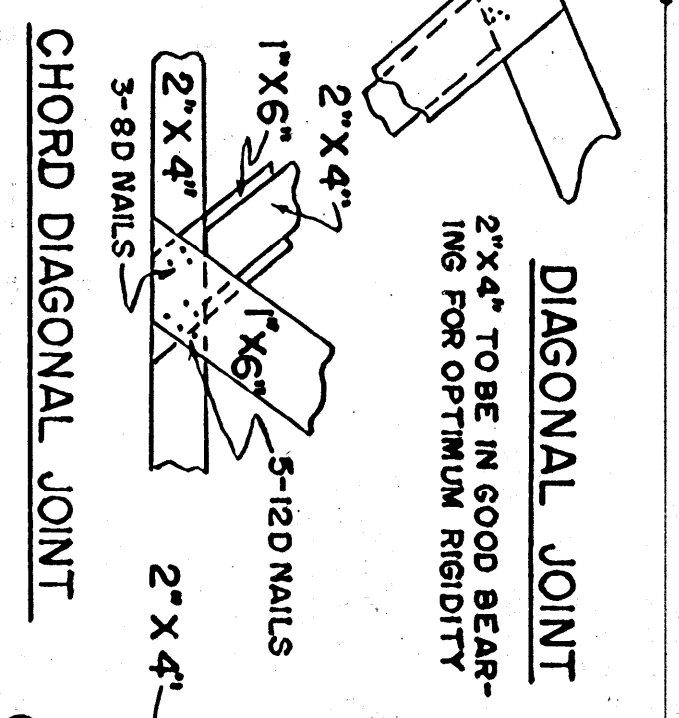
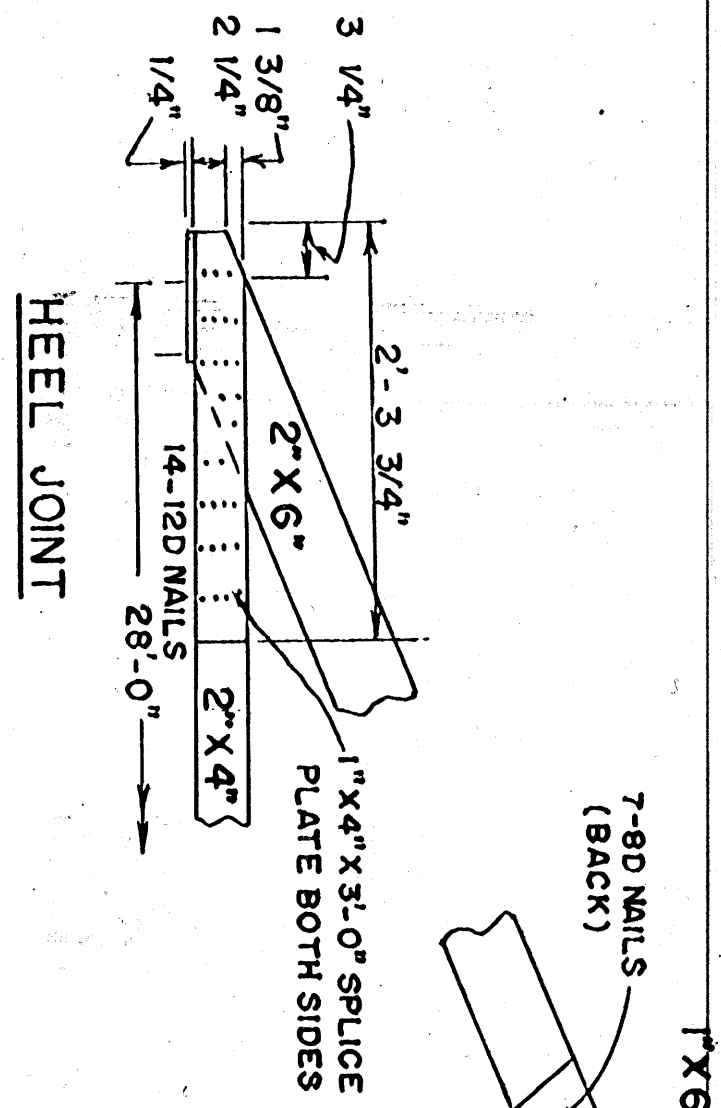
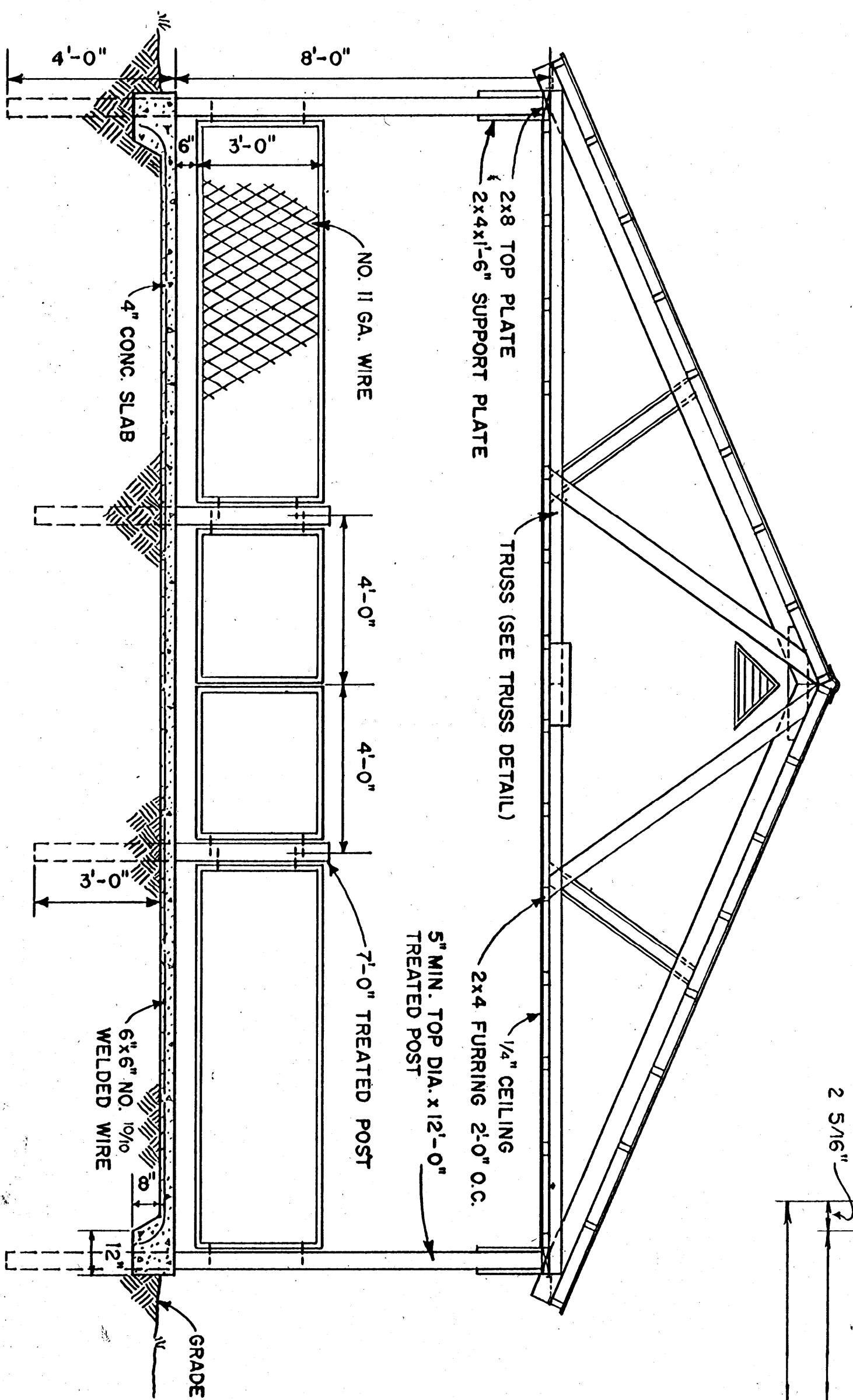


DETAIL OF WASH AREA

COOPERATIVE EXTENSION WORK IN
AGRICULTURE AND HOME ECONOMICS
STATE OF MISSISSIPPI
MISSISSIPPI STATE UNIVERSITY
AND
UNITED STATES DEPARTMENT OF AGRICULTURE COOPERATING

**FARROWING HOUSE
FOR HOGS**

ALA. '70 6088 SHEET 2 OF 3



SECTION "B-B"
SCALE: 3/8"=1'-0"