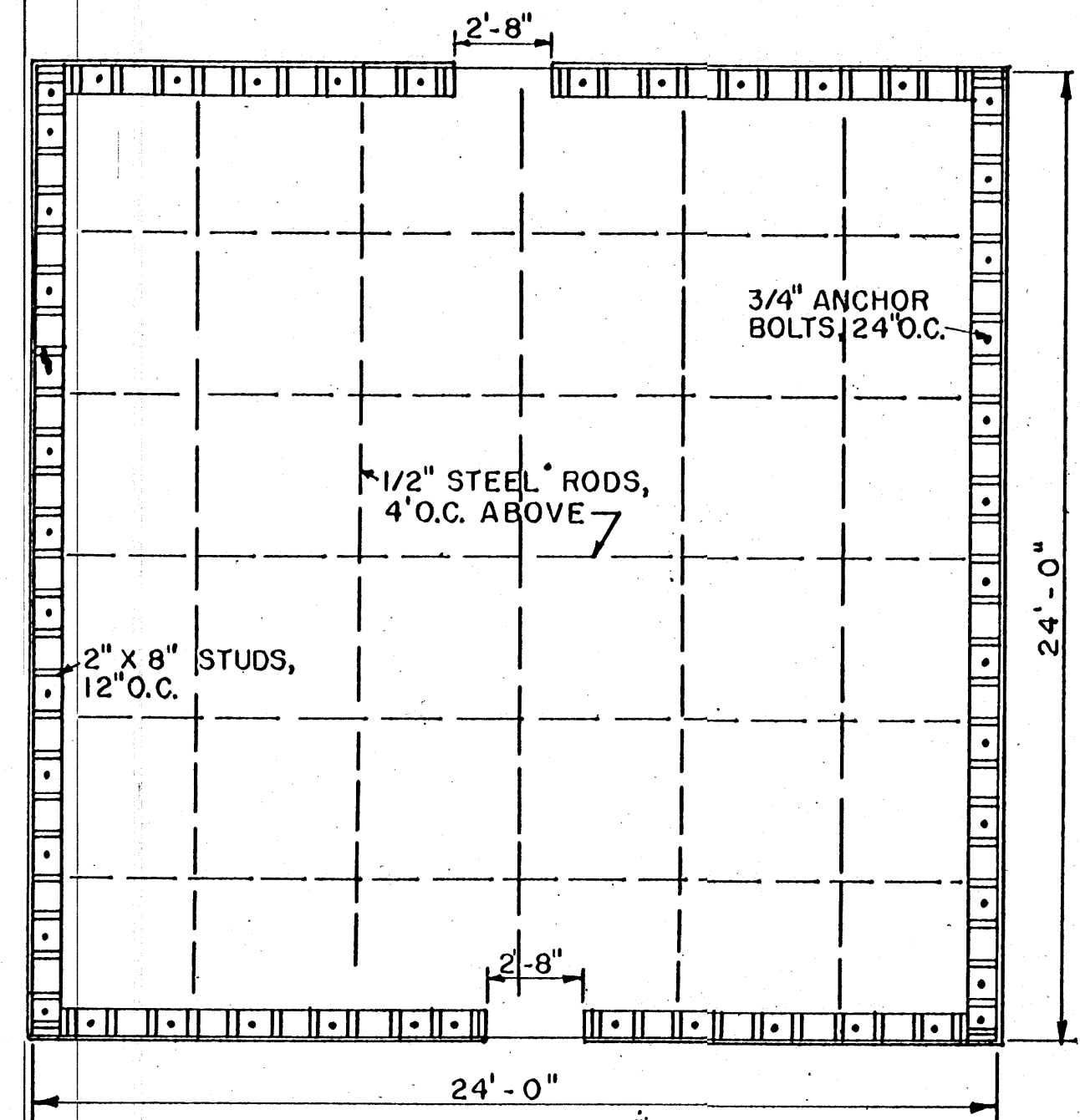
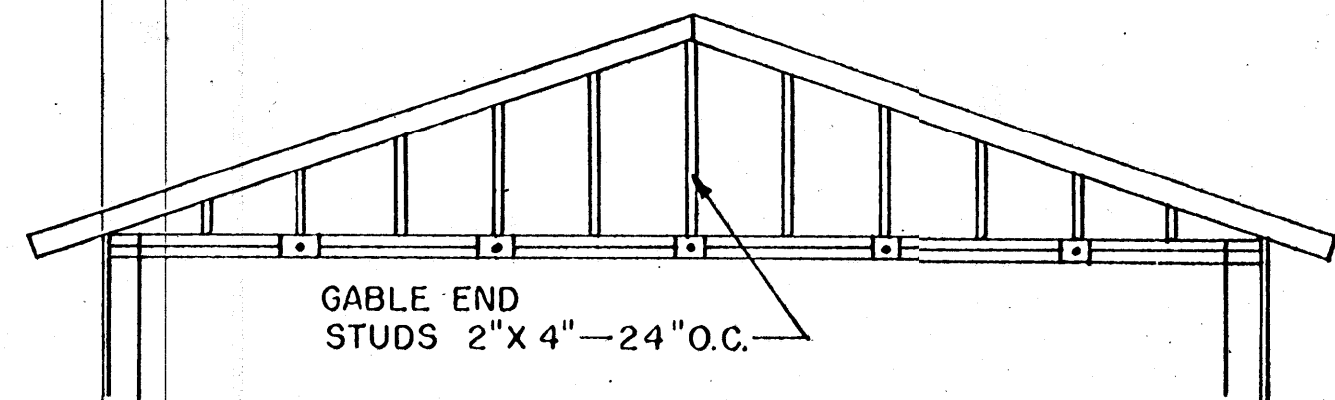


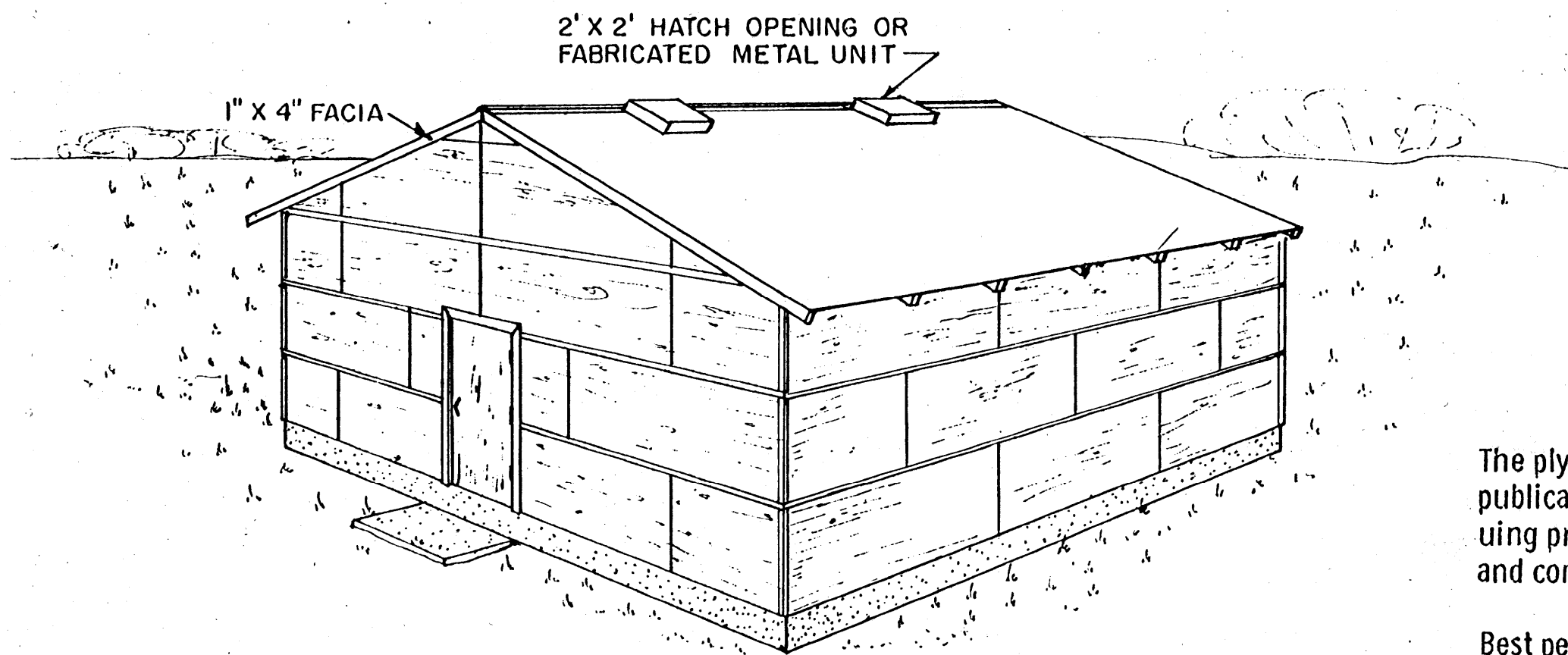
CROSS SECTION



FLOOR PLAN



GABLE END FRAMING



2' X 2' HATCH OPENING OR
FABRICATED METAL UNIT

1" X 4" FACIA

MENTION OF A TRADE NAME DOES NOT CONSTITUTE
A GUARANTEE OR WARRANTY OF THE PRODUCT
BY THE U. S. DEPARTMENT OF AGRICULTURE
OR AN ENDORSEMENT BY THE DEPARTMENT
OVER OTHER PRODUCTS NOT MENTIONED.

The plywood use recommendations contained in this publication are based upon the Association's continuing program of laboratory testing, product research and comprehensive field experience.

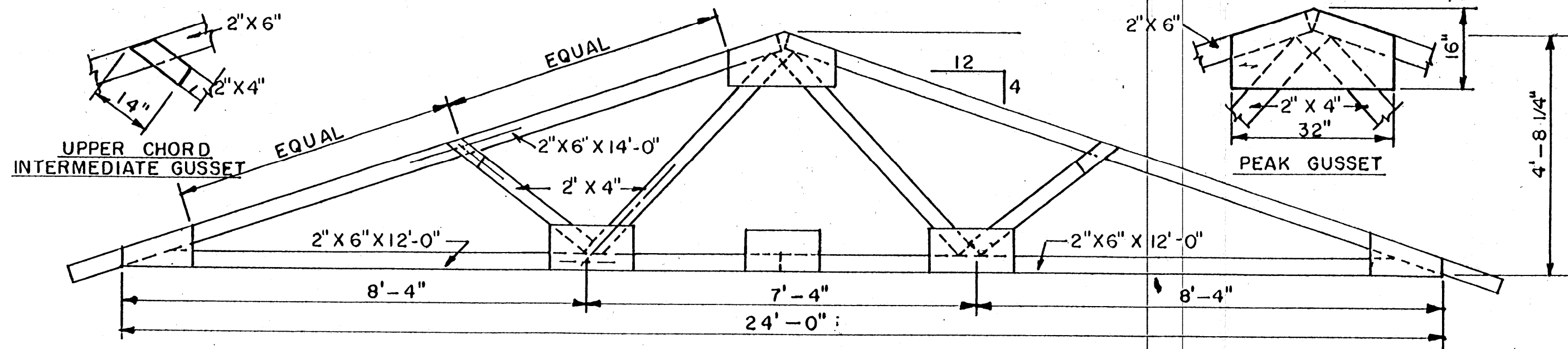
Best performance depends upon the use of quality plywood, identified by American Plywood Association grade-trademarks, properly applied in accordance with these recommendations.

AMERICAN PLYWOOD ASSOC.
PLAN NO. 69-130

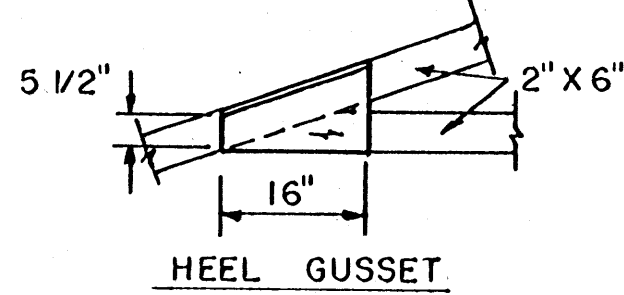
COOPERATIVE EXTENSION WORK IN
AGRICULTURE AND HOME ECONOMICS
STATE OF MISSISSIPPI
MISSISSIPPI STATE UNIVERSITY
AND
UNITED STATES DEPARTMENT OF AGRICULTURE COOPERATING

GRAIN BIN
5500 BUSHEL

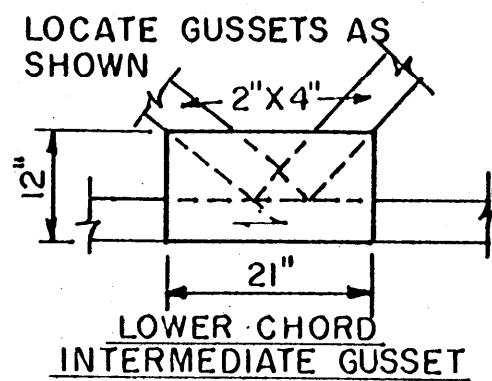
A.P.A. '70 6090 SHEET 1 OF 2



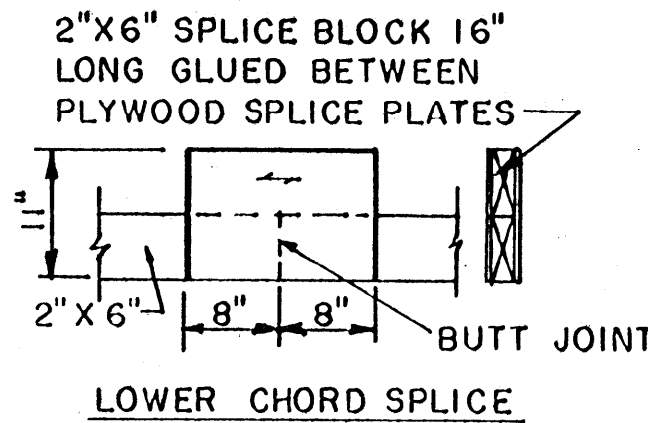
HEEL GUSSETS SHOULD BE FABRICATED FLUSH WITH BOTTOM EDGE OF CHORD MEMBER



HEEL GUSSET



LOWER CHORD INTERMEDIATE GUSSET



LOWER CHORD SPLICE

GUSSETS

GUSSETS ARE CUT FROM PLYWOOD (EXT. -DFPA)
1/2" C-C STRUCTURAL I. FACE GRAIN IS
HORIZONTAL ON ALL GUSSETS

LUMBER:

UPPER CHORD 2" X 6"
LOWER CHORD 2" X 6"

STANDARD GRADE J & P W C D F
" " J & P W C H
STRUCTURAL WESTERN LARCH
OR NO. 2 2" DIMENSION SOUTHERN PINE

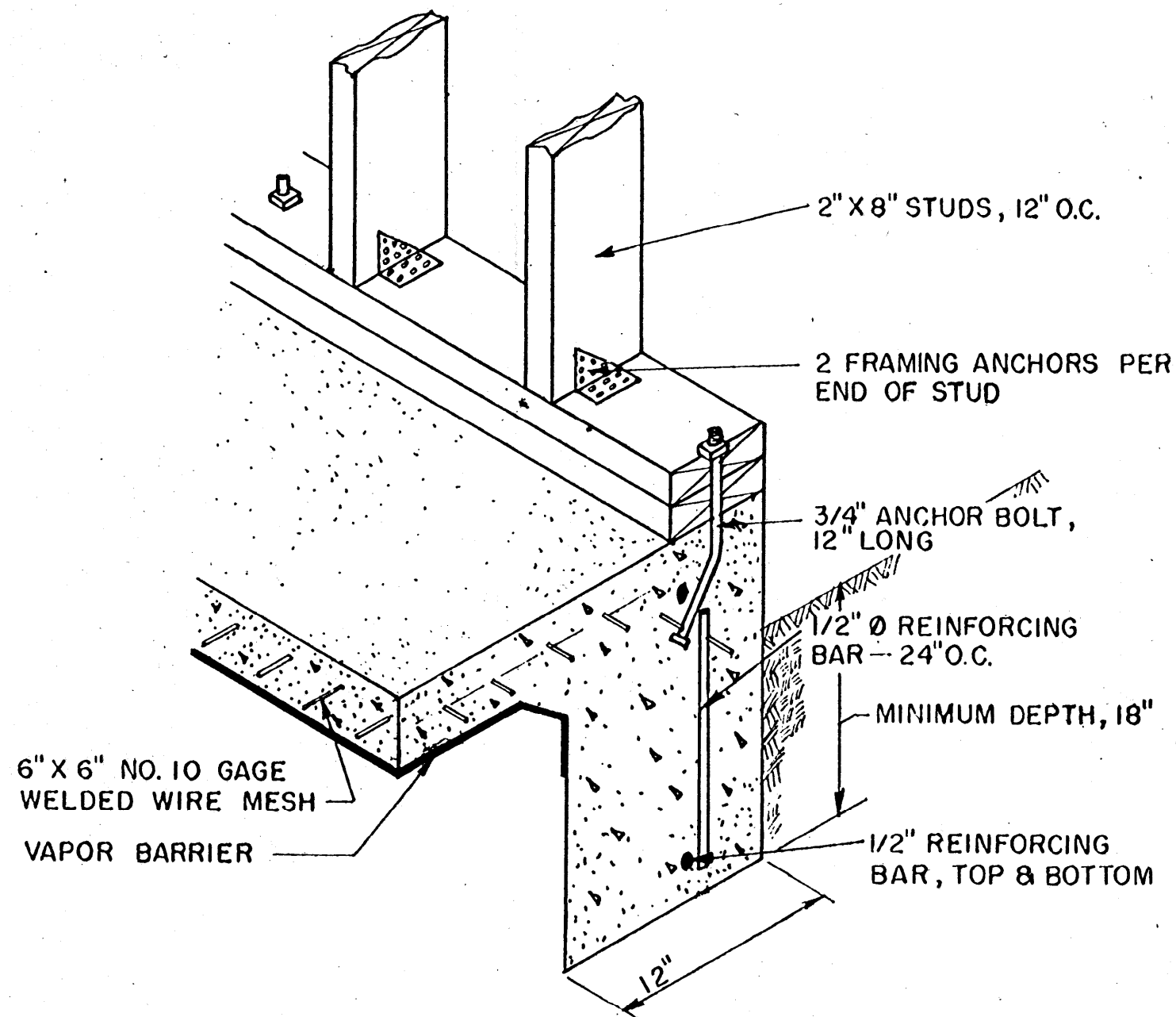
WEB 2" X 4" CONSTRUCTION GRADE DOUGLAS FIR,
LARCH OR HEMLOCK NO. 2 SOUTHERN PINE

GLUE:

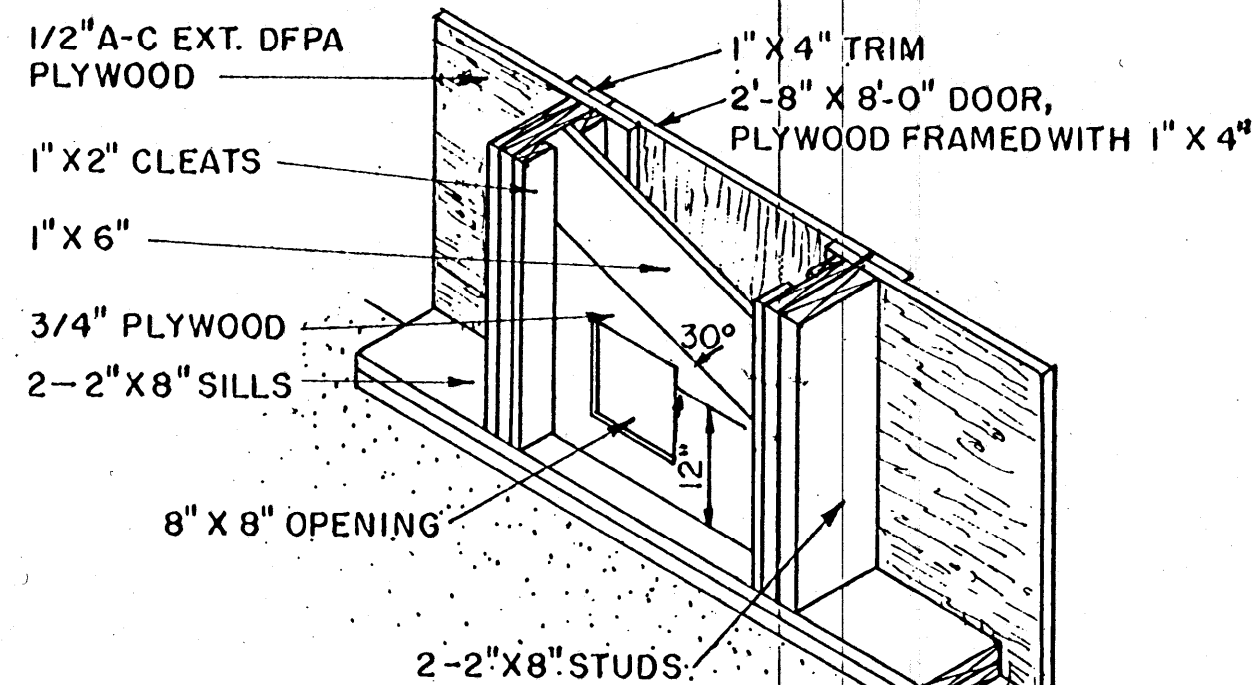
RESORCINOL RESIN TYPE

NAILS:

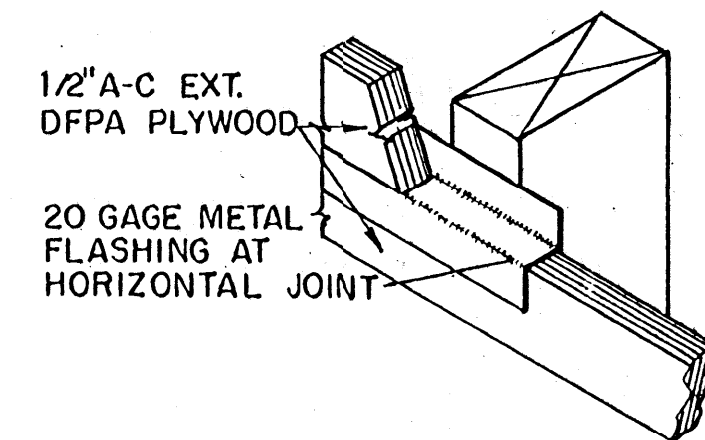
6d SPACED 4" O.C. THREE ROWS FOR 2" X 6"
MEMBERS. TWO ROWS FOR 2" X 4" MEMBERS.



FOUNDATION DETAIL



DOOR DETAIL



HORIZONTAL WALL JOINT

COOPERATIVE EXTENSION WORK IN AGRICULTURE AND HOME ECONOMICS STATE OF MISSISSIPPI MISSISSIPPI STATE UNIVERSITY AND UNITED STATES DEPARTMENT OF AGRICULTURE COOPERATING		
GRAIN BIN 5500 BUSHEL		
A.P.A. '70	6090	SHEET 2 OF 2