

HERD SIZES AND BUILDING DIMENSIONS				
NUMBER OF COWS			MAIN BARN	HOLDING AREA (16ft ² PER COW)
COMPLETE SYSTEM	RIGHT OR * LEFT HALF	EACH SUB-HERD		
160	80	40	84' x 196'	640ft ² (20' x 32')
200	100	50	84' x 236'	800ft ² (20' x 40')
240	120	60	84' x 276'	960ft ² (20' x 48')
280	140	70	84' x 316'	1120ft ² (20' x 56')
320	160	80	84' x 356'	1280ft ² (20' x 64')

* BUILD EITHER THE RIGHT OR LEFT HALF OF THE FREE STALL BARN AND DIVIDE THE HERD INTO TWO GROUPS.

FLOOR PLAN
SCALE: 1/16" = 1' - 0"

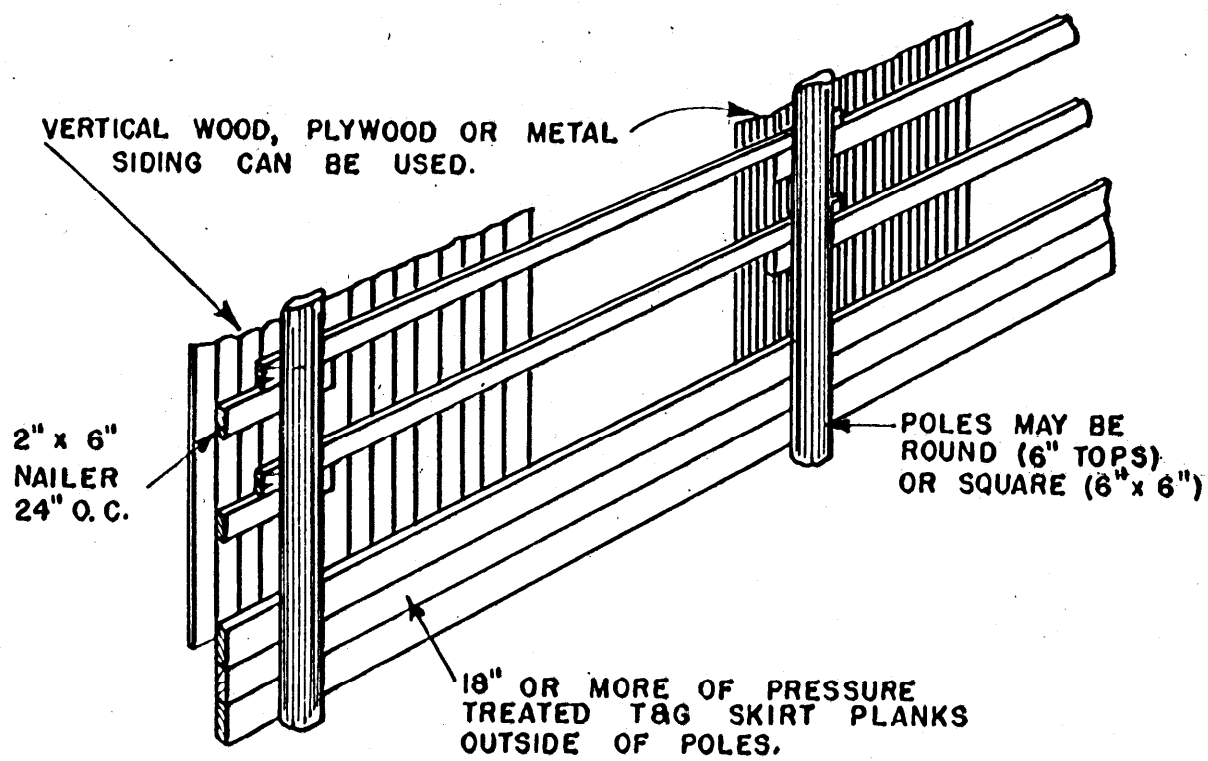
COOPERATIVE EXTENSION WORK IN
AGRICULTURE AND HOME ECONOMICS
STATE OF MISSISSIPPI
MISSISSIPPI STATE UNIVERSITY
AND
UNITED STATES DEPARTMENT OF AGRICULTURE COOPERATING

**FREE STALL BARN
DRIVE-THRU TYPE**

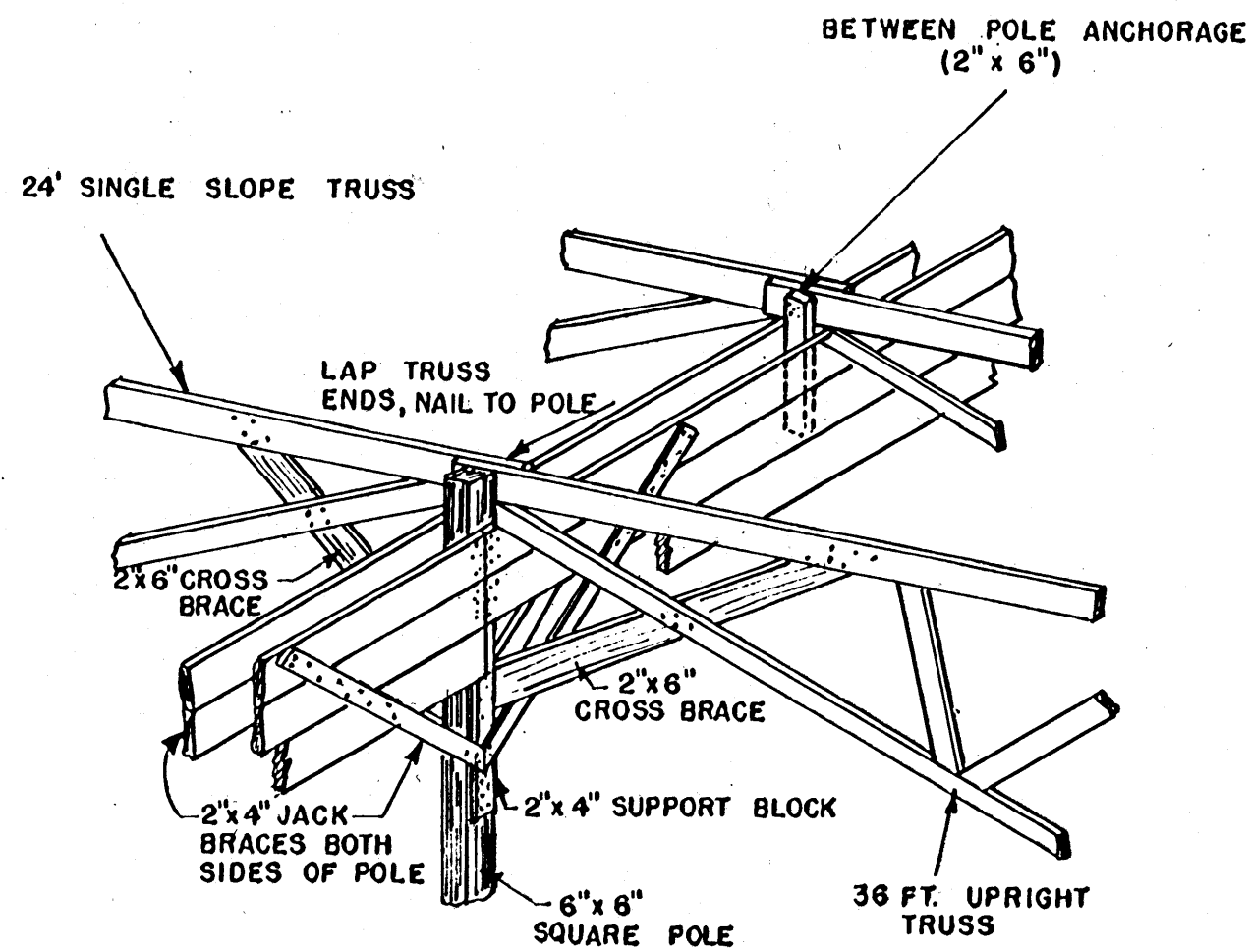
PA.	'71	6111	SHEET 1 OF 3
-----	-----	------	--------------

SIDE WALL DETAIL

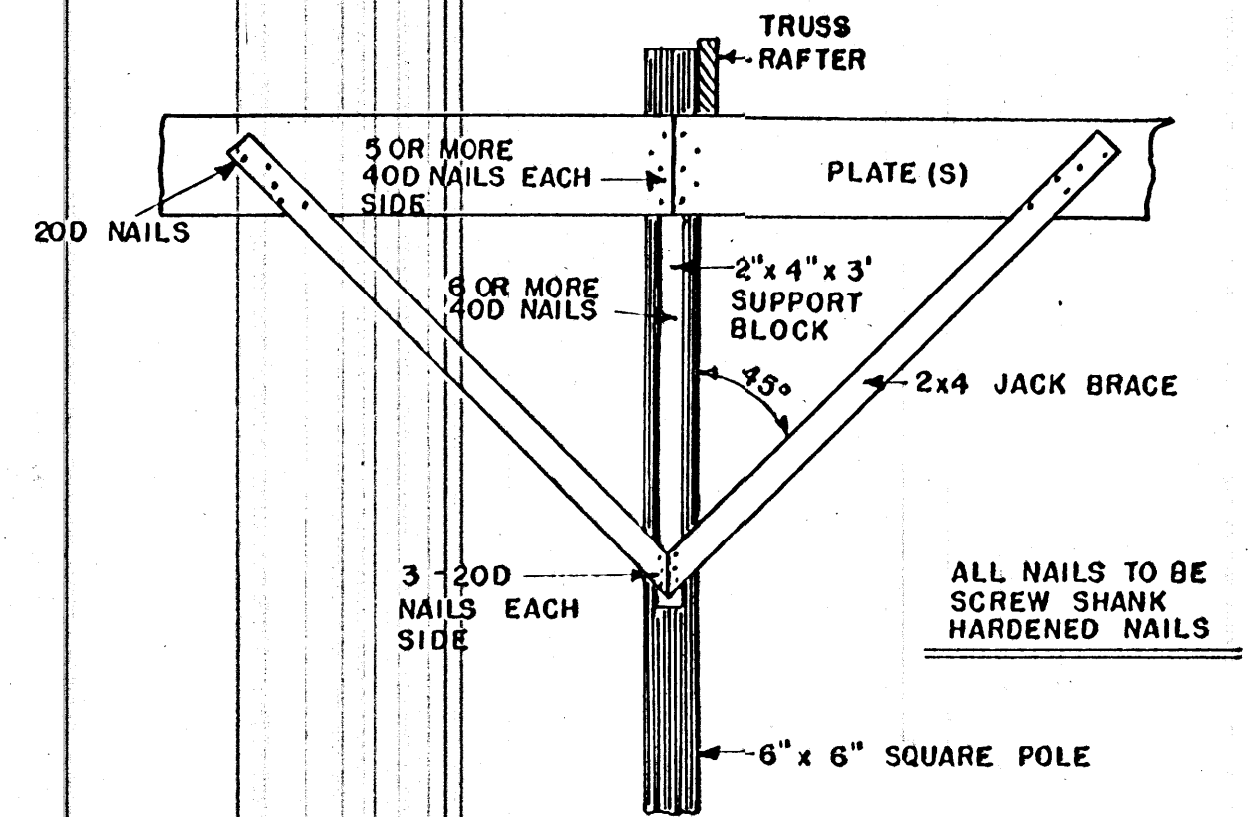
POLES MUST BE PRESSURE TREATED FOR 50 YEAR LIFE. UNTREATED OR COLD TREATED POLES WILL HAVE A SHORT LIFE. POLES MAY BE ROUND (6" TOPS) OR SQUARE (6" x 6").



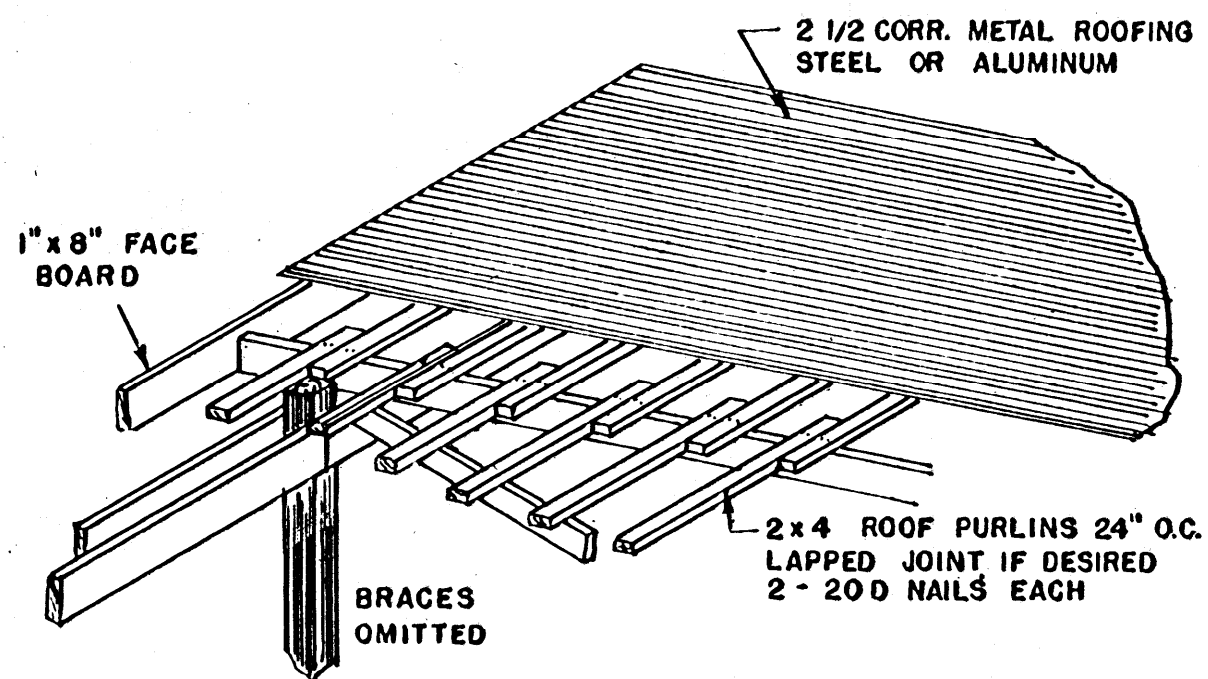
INTERIOR POLE BRACING AND RAFTER DETAIL



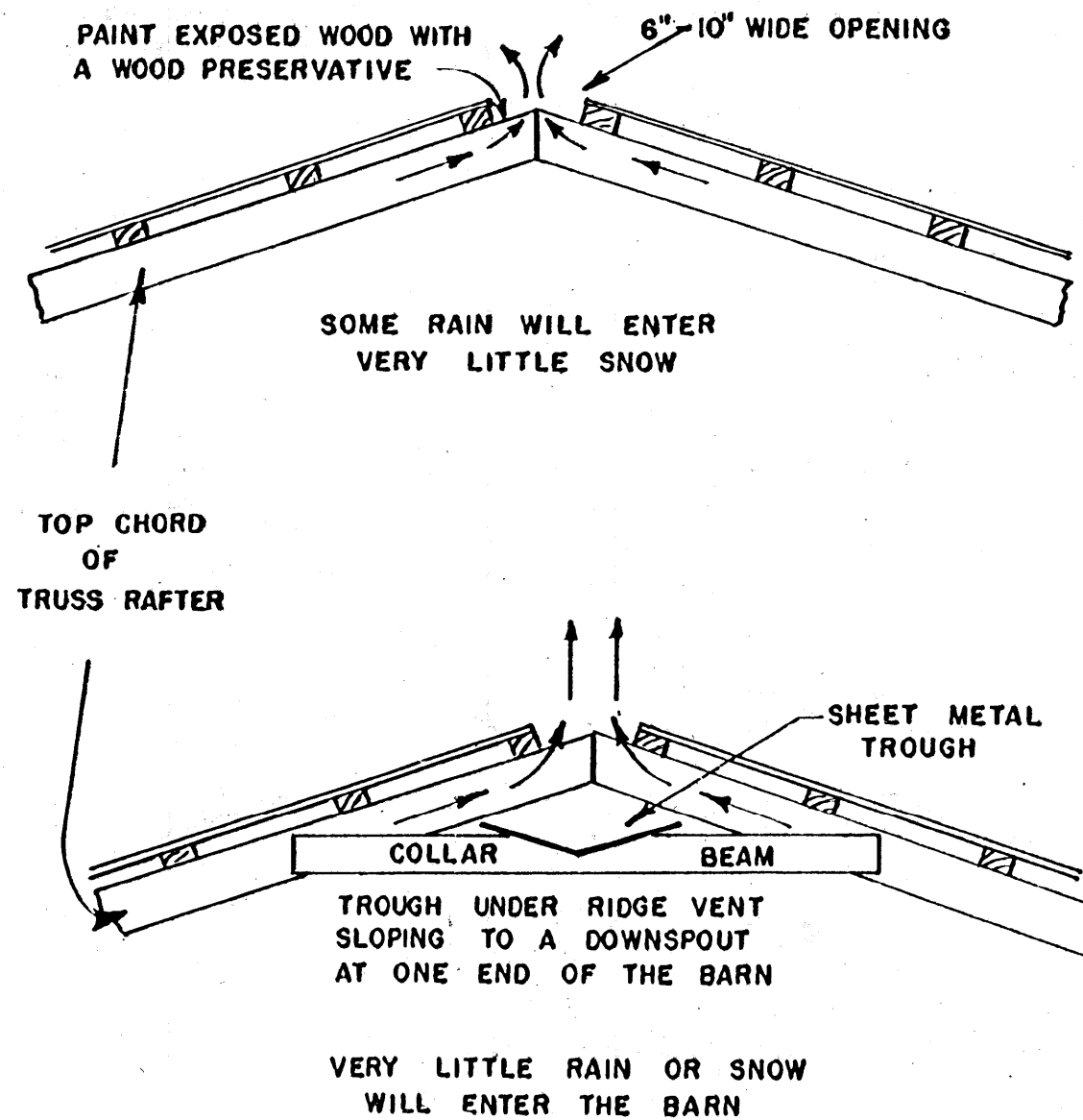
SIDEWALL POLE BRACING AND NAILING DETAIL



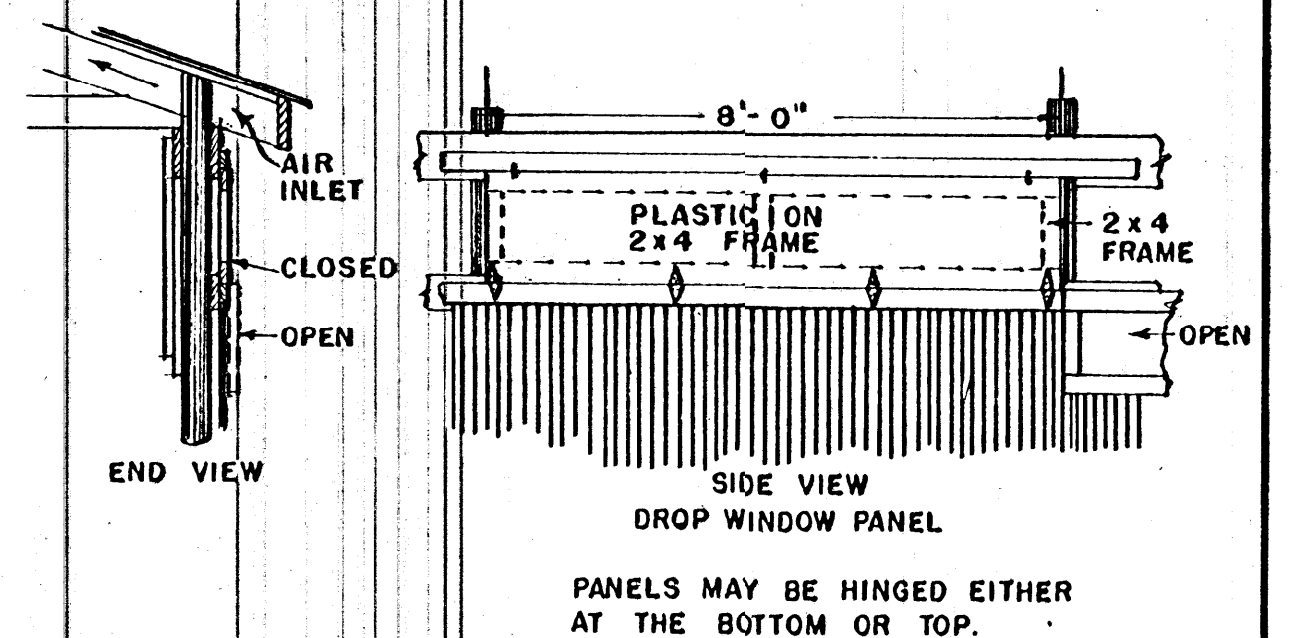
ROOFING DETAIL WITH PURLINS AND METAL ROOFING



OPEN RIDGE VENT DETAIL



PANEL WINDOW DETAIL



COOPERATIVE EXTENSION WORK IN AGRICULTURE AND HOME ECONOMICS
STATE OF MISSISSIPPI
MISSISSIPPI STATE UNIVERSITY
AND
UNITED STATES DEPARTMENT OF AGRICULTURE COOPERATING

**FREE STALL BARN
DRIVE-THRU TYPE**