

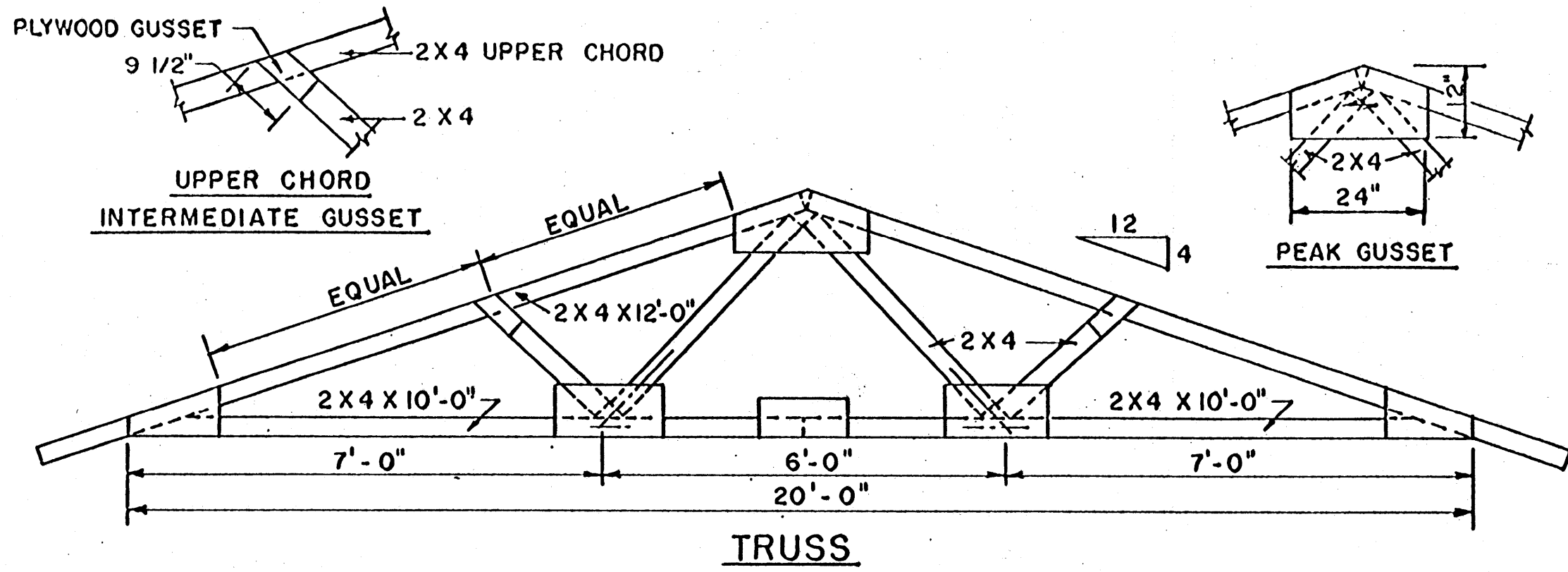
PARTITIONS & INNER WALL LINER
 5/8" C-C EXT-DFPA PLYWOOD. FASTEN PANELS TOGETHER WITH PANEL ADHESIVE AND NO. 10 WOOD SCREWS 1" LONG, THREE ROWS SPACED 12" O.C. IN EACH ROW.

NOTE:
 CONSULT LOCAL HEALTH AUTHORITIES BEFORE STARTING CONSTRUCTION TO BE SURE THAT THE PLAN CONFORMS WITH LOCAL CODES AND REGULATIONS

This design is based on the use of American Plywood Association Grade-Trademarked plywood. Structural deficiencies may result with the substitution of materials. Because erection of the structure cannot be supervised no liability can be assumed by the designer or the American Plywood Association. Mention of a trade name does not constitute a guarantee or warranty of the product by the U.S. Department of Agriculture or an endorsement by the Department over other products not mentioned.

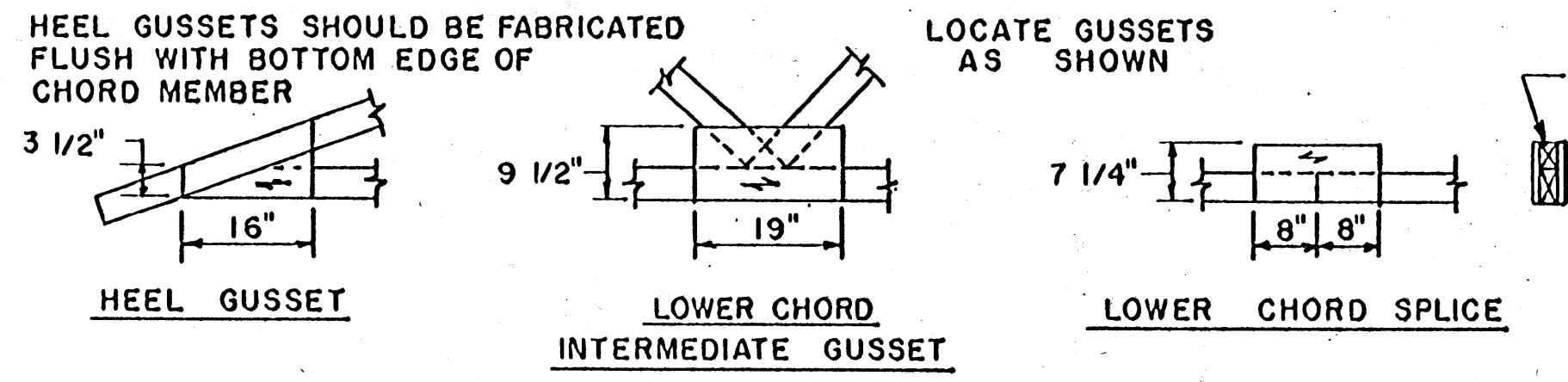
AMERICAN PLYWOOD ASSOC.
 FORM NO. 70-160

COOPERATIVE EXTENSION WORK IN AGRICULTURE AND HOME ECONOMICS		
STATE OF MISSISSIPPI		
MISSISSIPPI STATE UNIVERSITY		
UNITED STATES DEPARTMENT OF AGRICULTURE COOPERATING		
HORSE BARN		
2 STALL PLYWOOD		
APA '71	6118	SHEET 1 OF 3

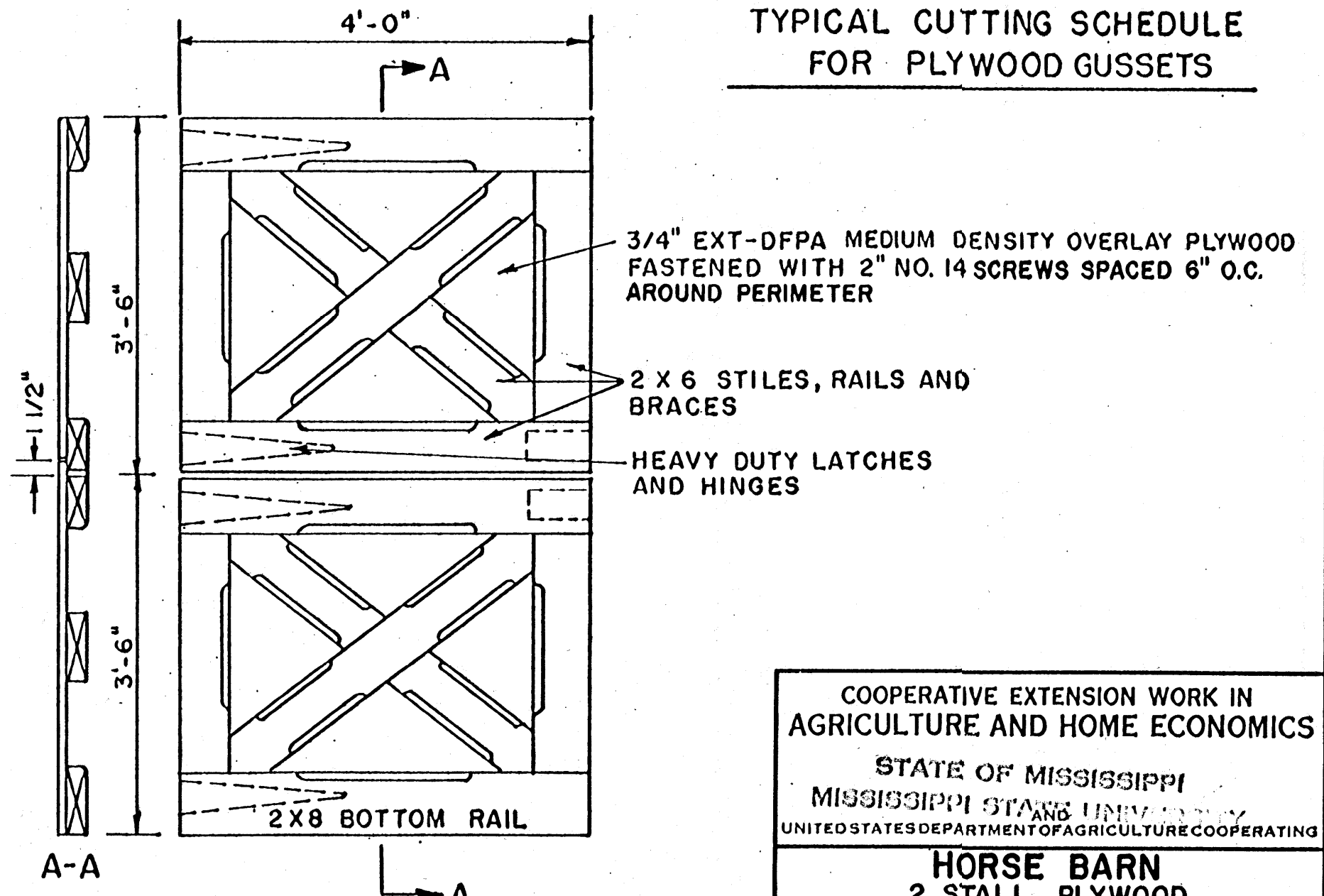
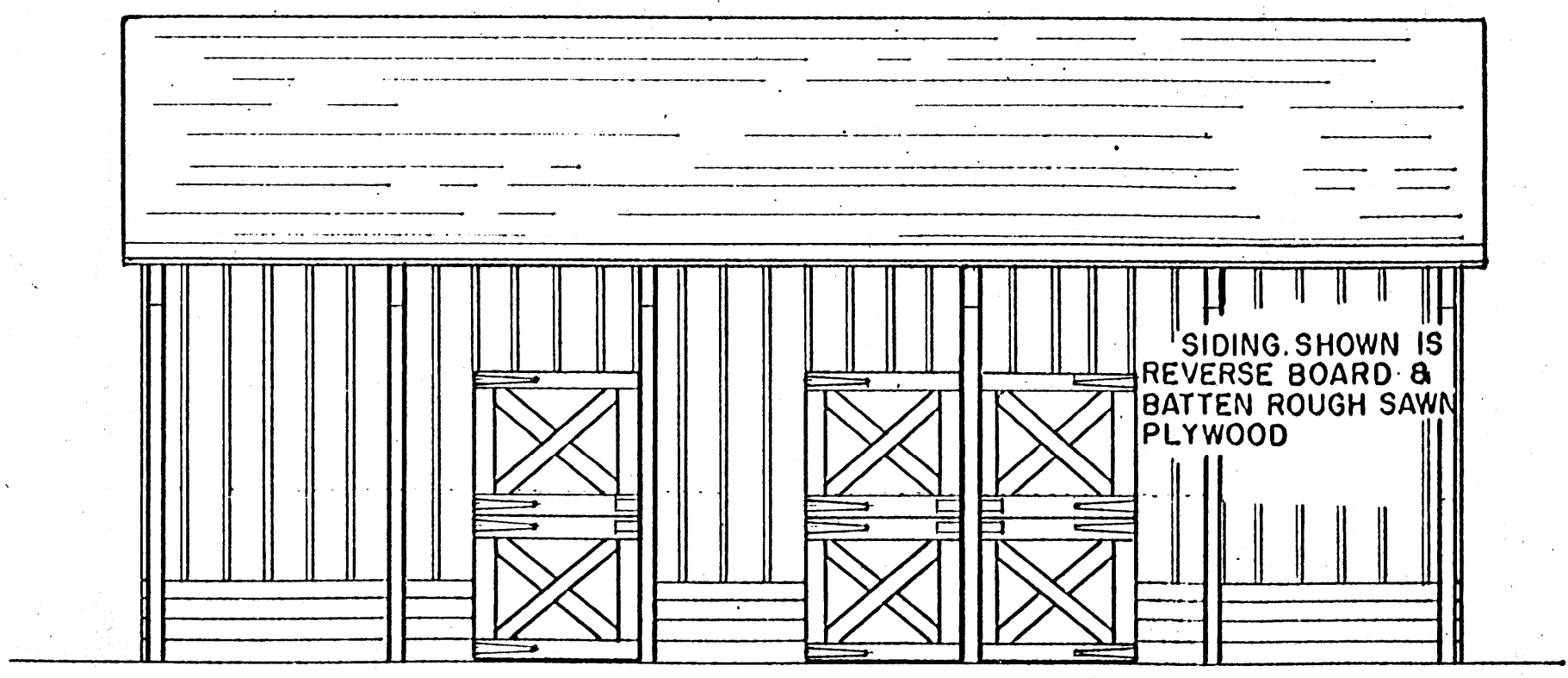
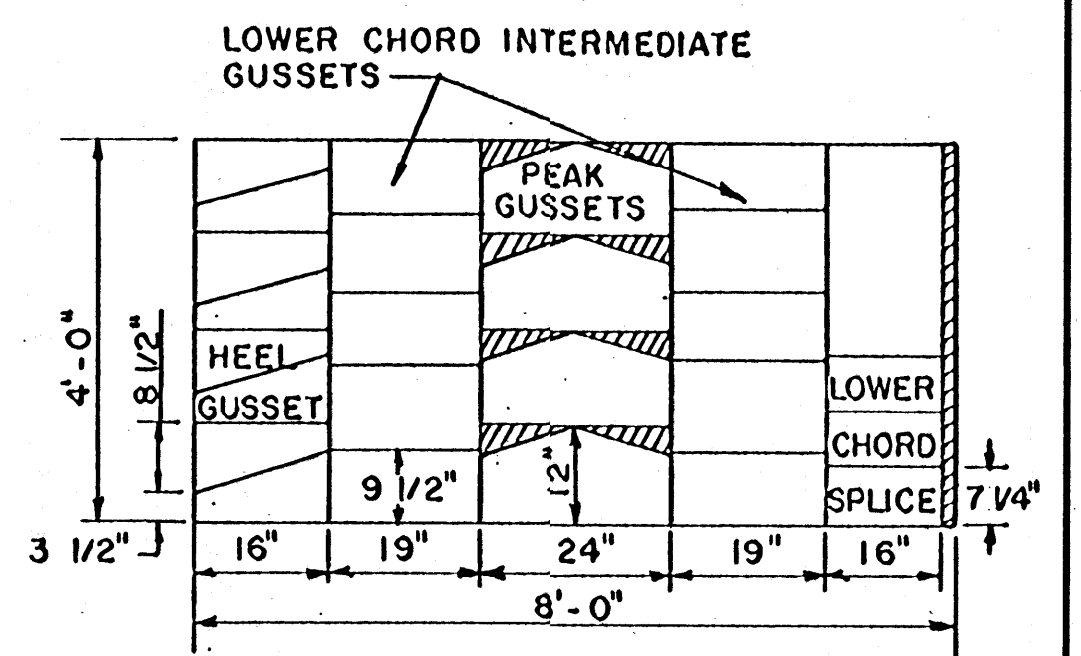
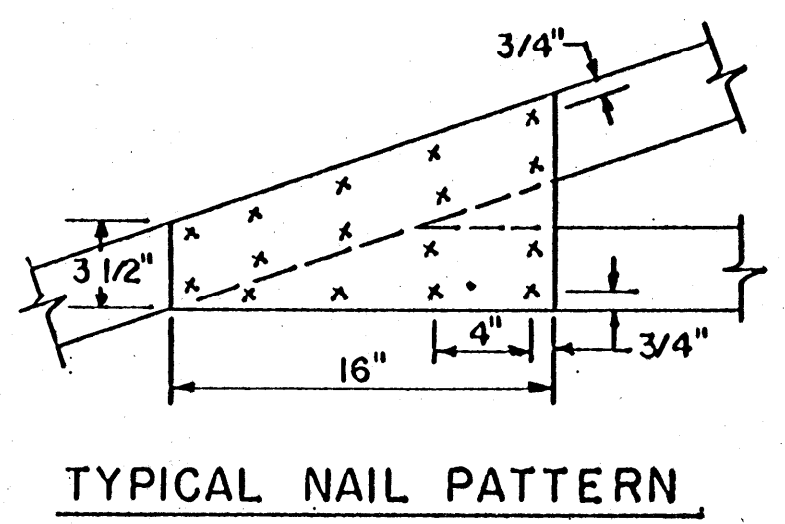


TRUSS SPECIFICATION

- LUMBER:**
UPPER CHORD 2 X 4 - 1500f LUMBER
LOWER CHORD 2 X 4 - 1200f LUMBER
- WEB 2X4 CONSTRUCTION GRADE DOUGLAS FIR, LARCH, HEMLOCK OR NO. 2 SOUTHERN PINE
- GLUE:**
RESORCINOL RESIN TYPE
- NAILS:**
6d SPACED 4" O.C. TWO ROWS FOR 2X4 MEMBERS



GUSSETS
GUSSETS ARE CUT FROM PLYWOOD (EXT.-DFPA) 1/2" C-C STRUCTURAL I. FACE GRAIN IS HORIZONTAL ON ALL GUSSETS. ALL PLYWOOD GUSSET PLATES ARE ON BOTH SIDES OF TRUSS.

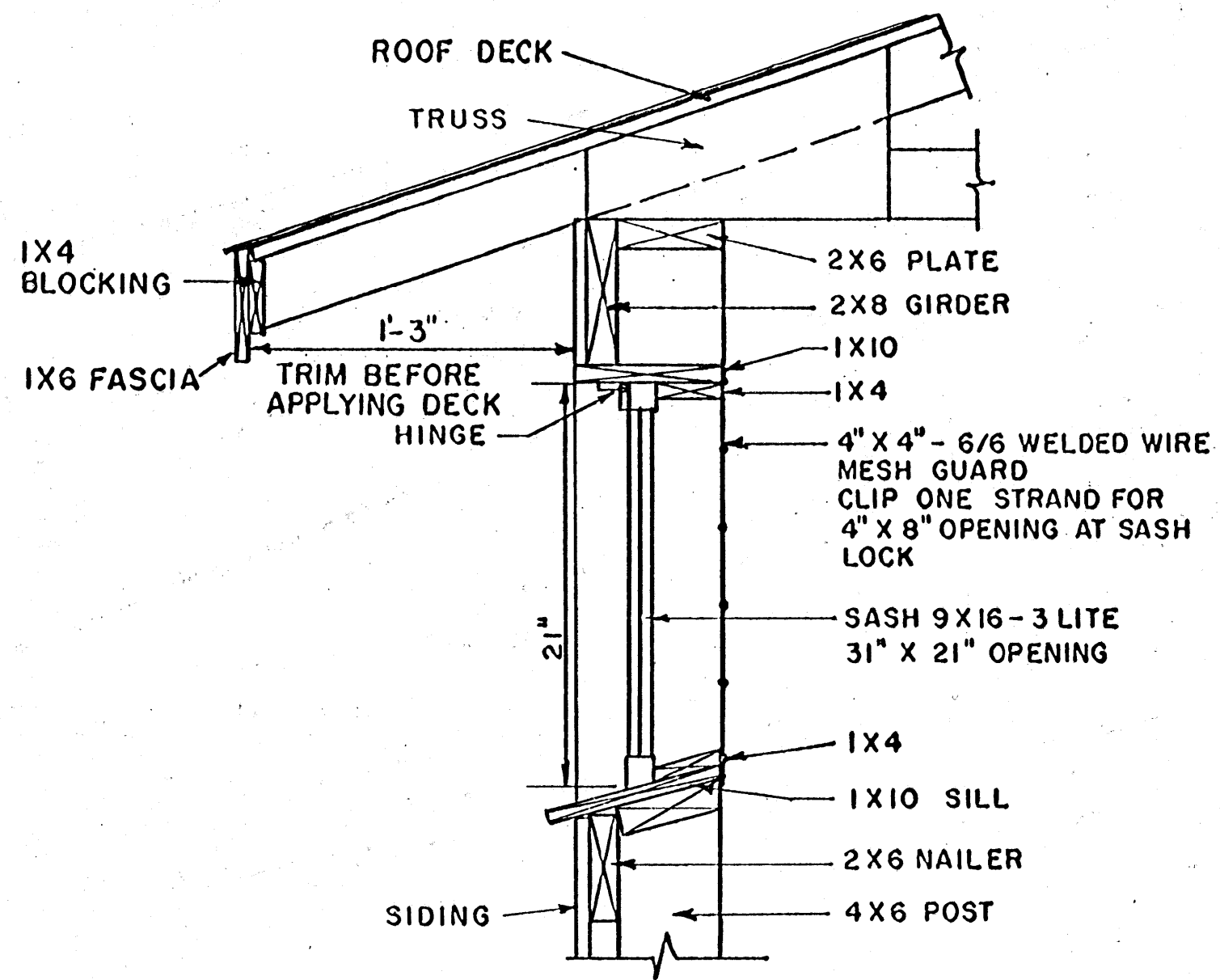


COOPERATIVE EXTENSION WORK IN AGRICULTURE AND HOME ECONOMICS

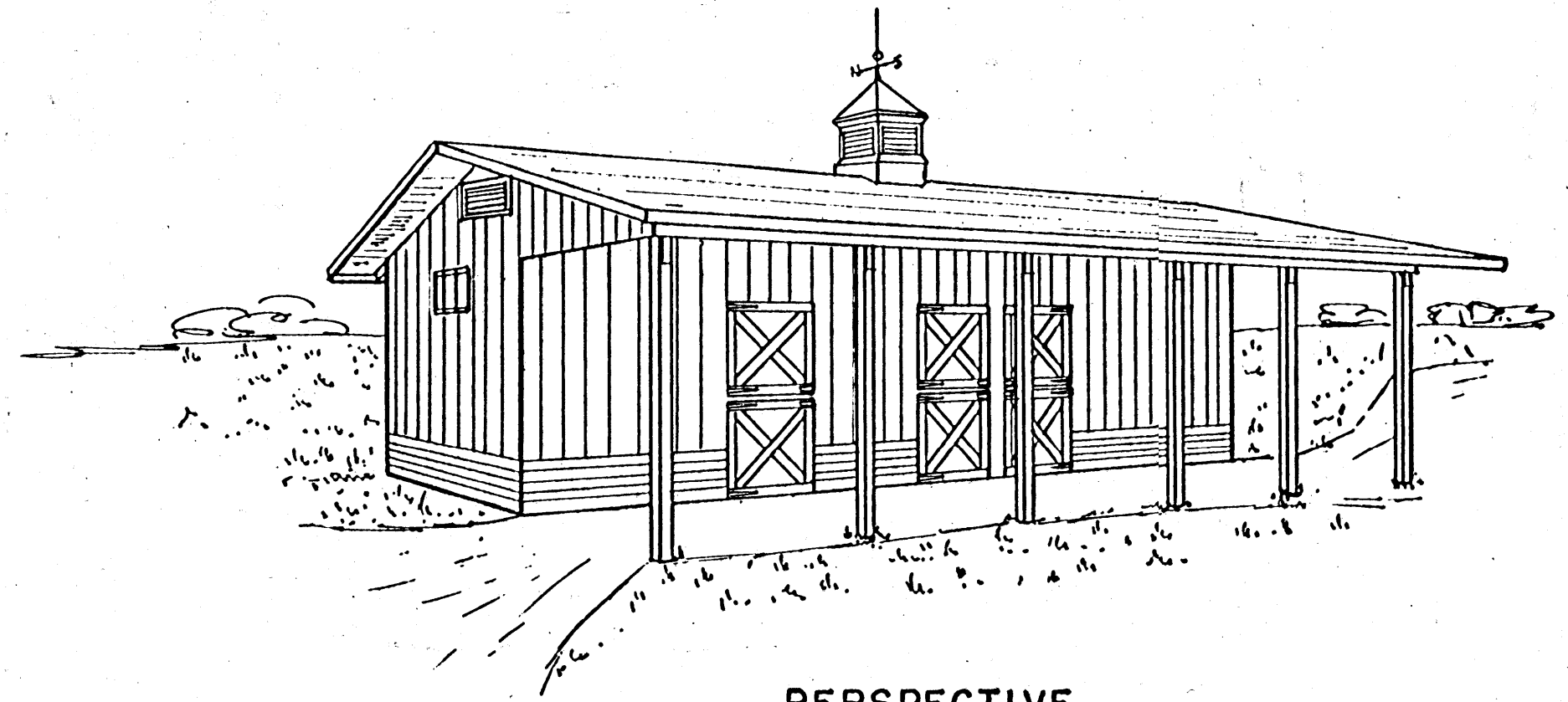
STATE OF MISSISSIPPI
MISSISSIPPI STATE UNIVERSITY
UNITED STATES DEPARTMENT OF AGRICULTURE COOPERATING

**HORSE BARN
2 STALL PLYWOOD**

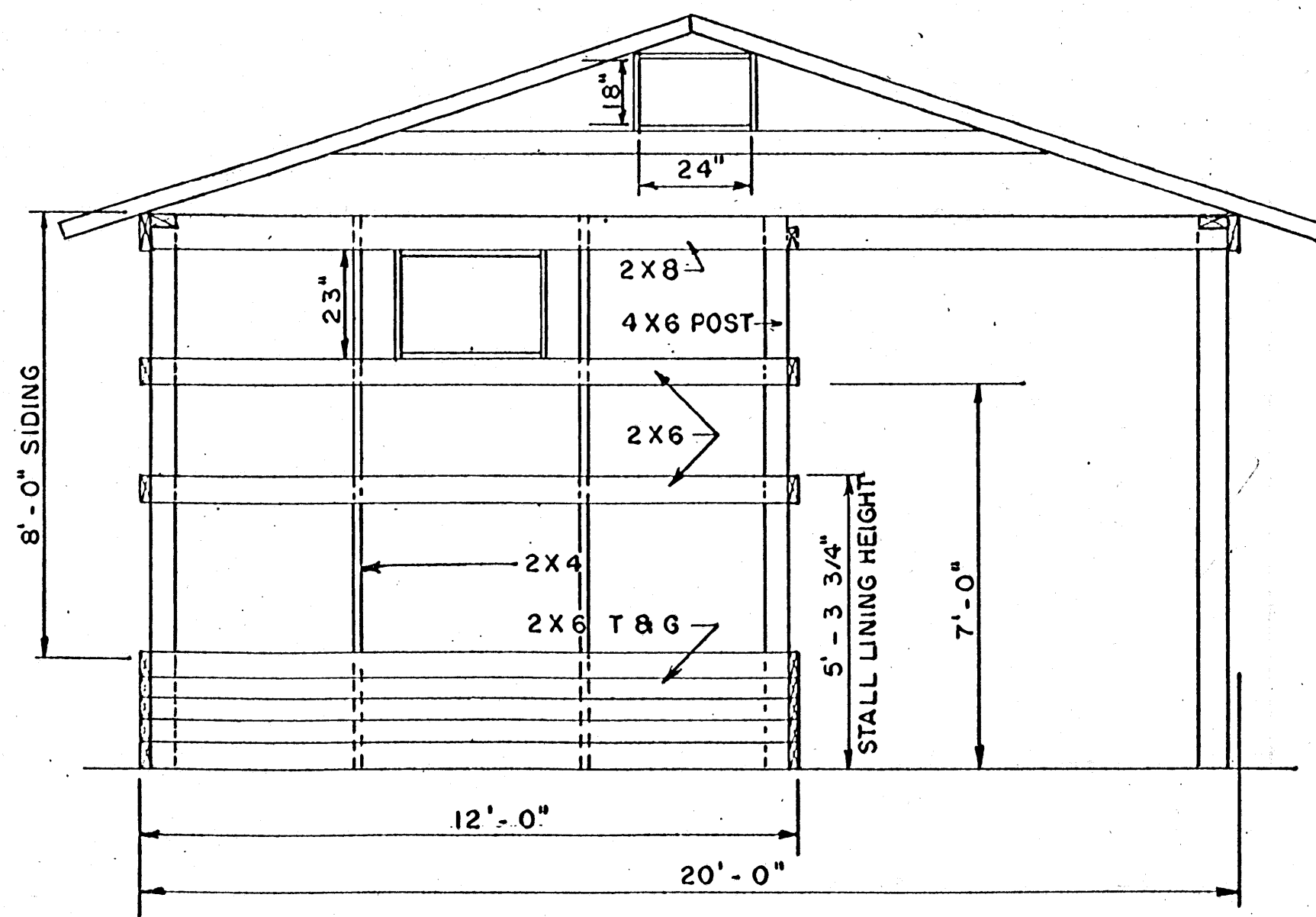
APA '71	6118	SHEET 2 OF 3
---------	-------------	--------------



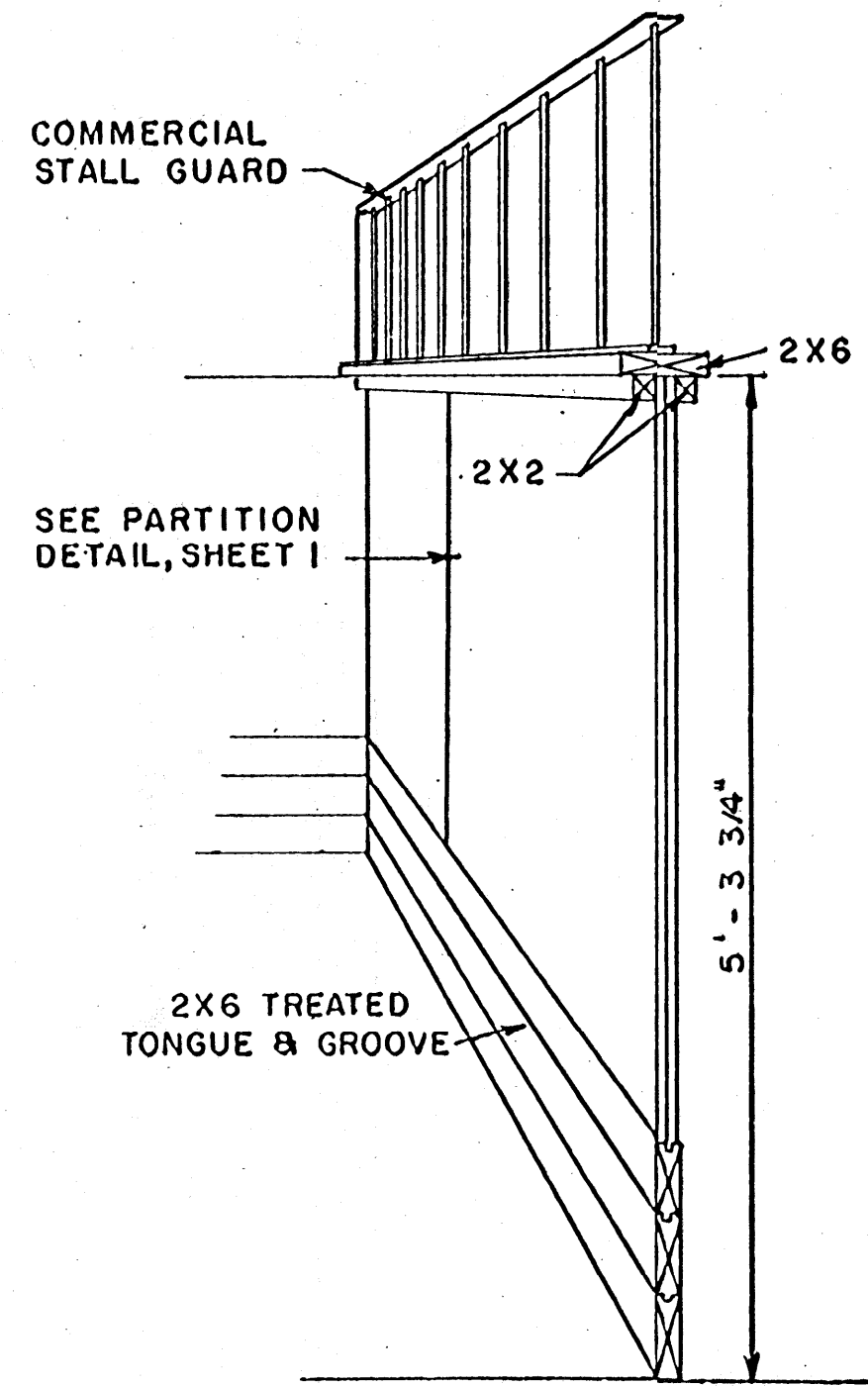
WINDOW DETAIL



PERSPECTIVE



END FRAMING DETAIL



STALL PARTITION DETAIL

COOPERATIVE EXTENSION WORK IN AGRICULTURE AND HOME ECONOMICS		
STATE OF MISSISSIPPI		
MISSISSIPPI STATE UNIVERSITY		
AND UNITED STATES DEPARTMENT OF AGRICULTURE COOPERATING		
HORSE BARN 2 STALL PLYWOOD		
APA '71	6118	SHEET 3 OF 3