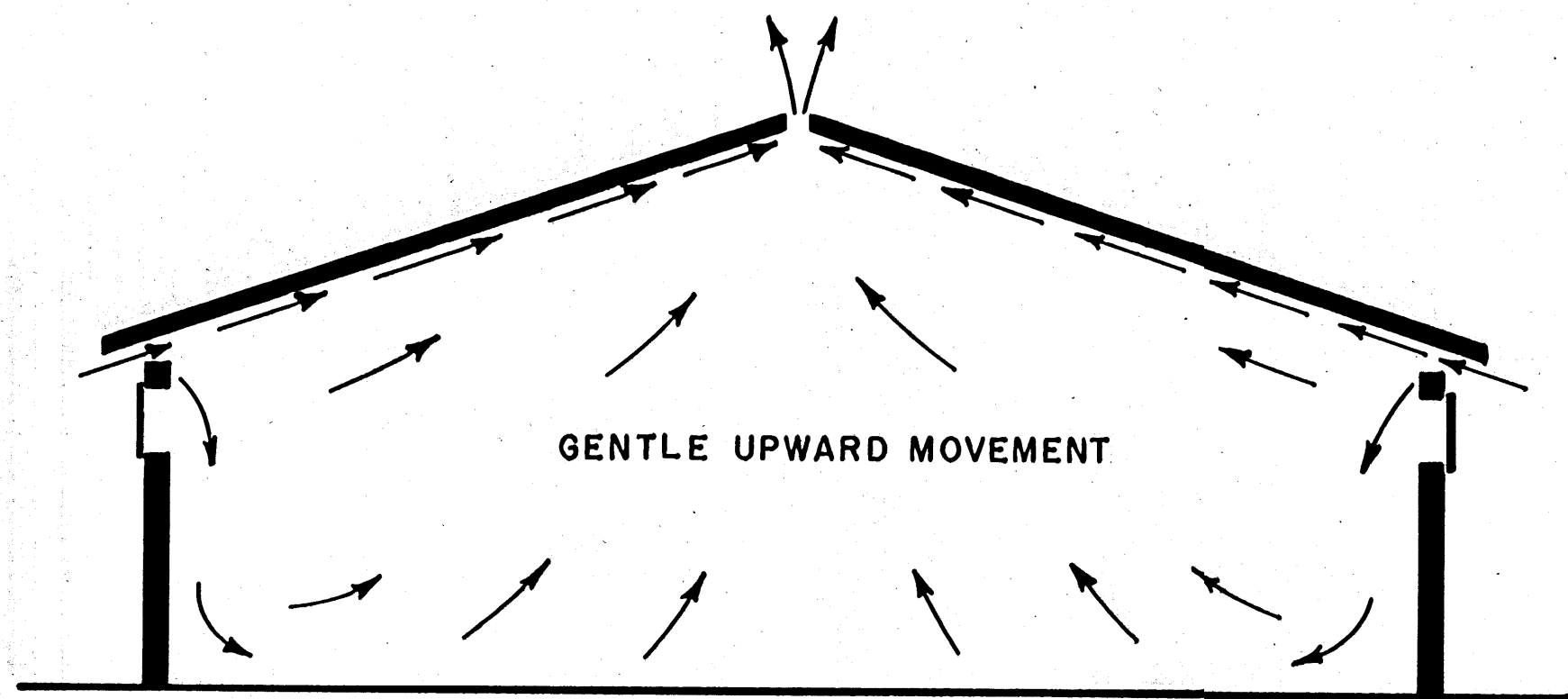
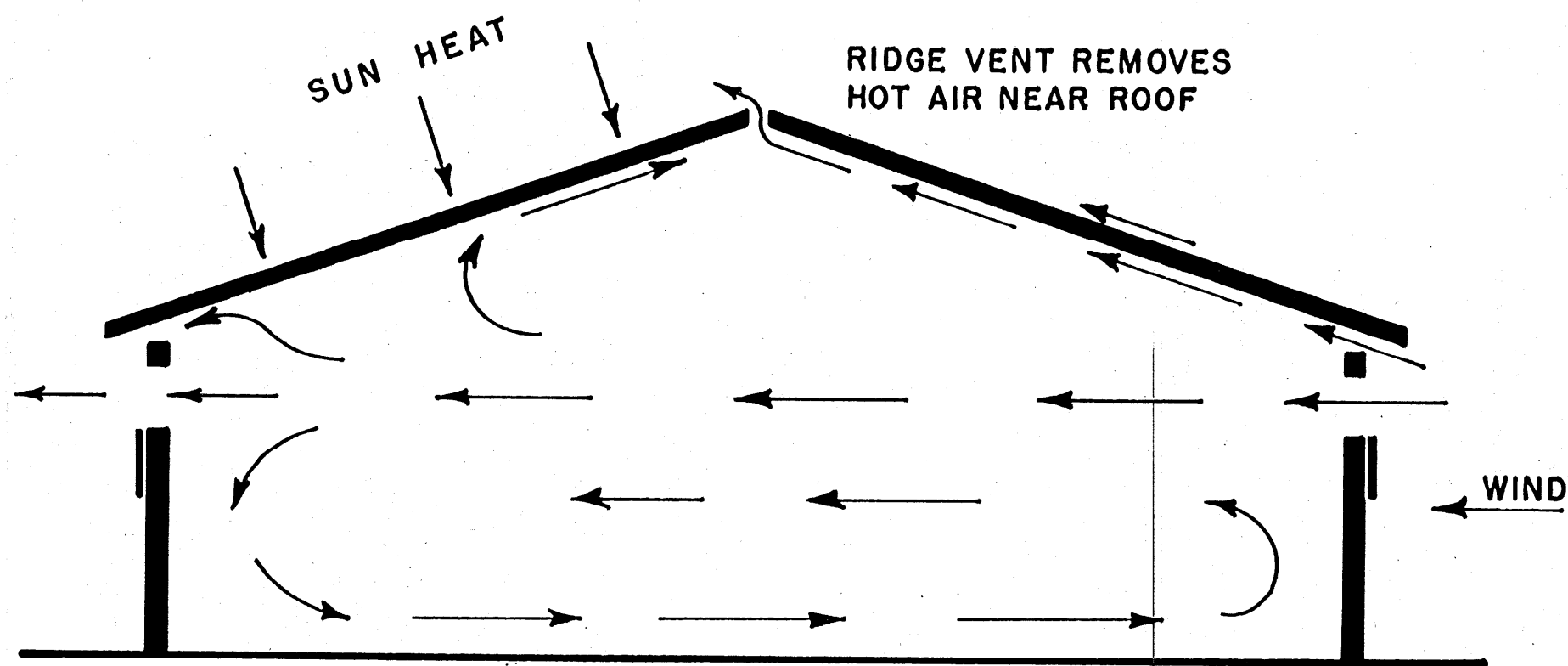


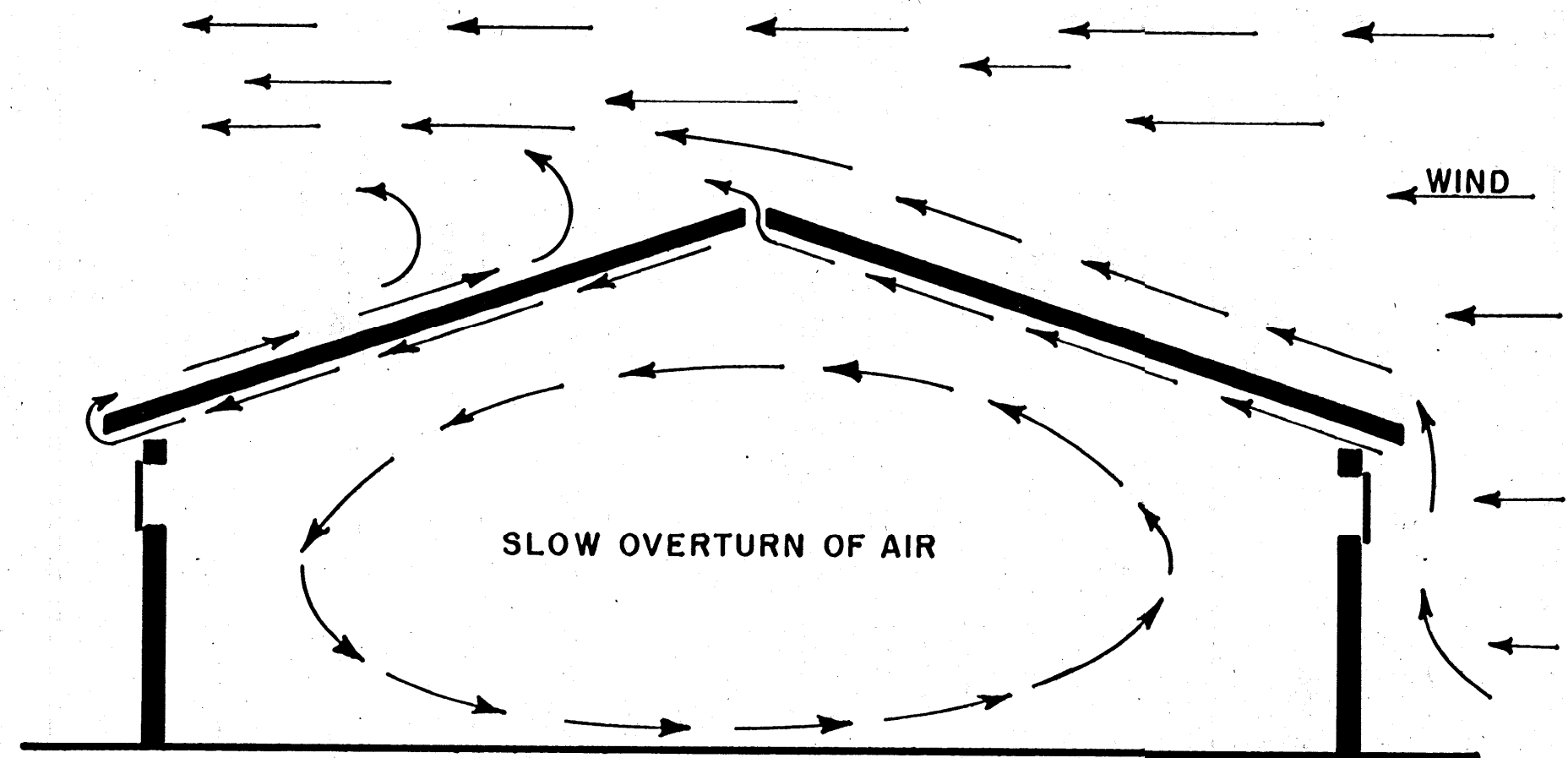
FIG. 1 OPENINGS REQUIRED



**WINTER AIR MOVEMENT IN BARN
FIG. 2 NO WIND OUTSIDE**



**FIG. 3 SUMMER AIR MOVEMENT
DROP PANELS OPEN**



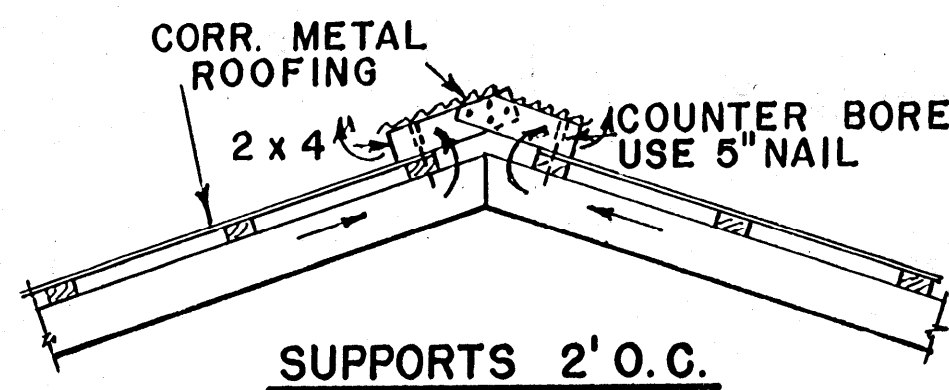
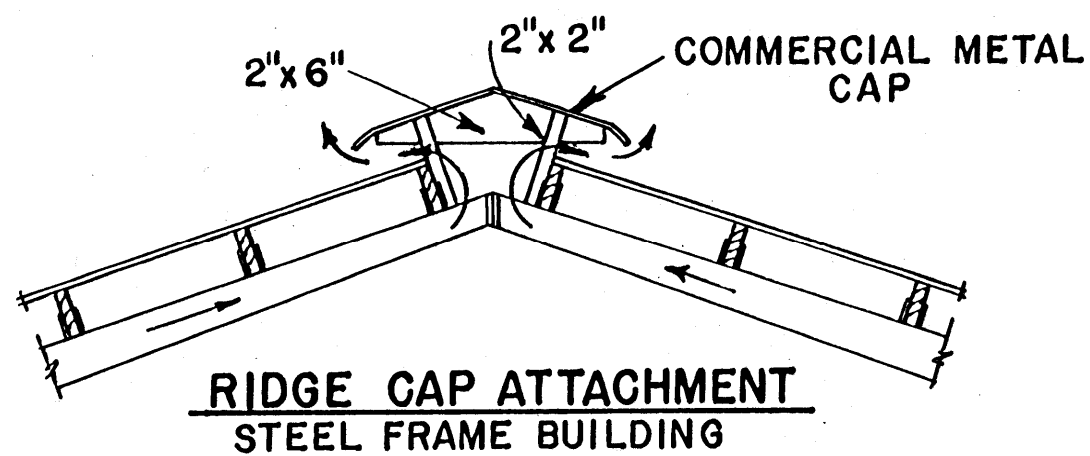
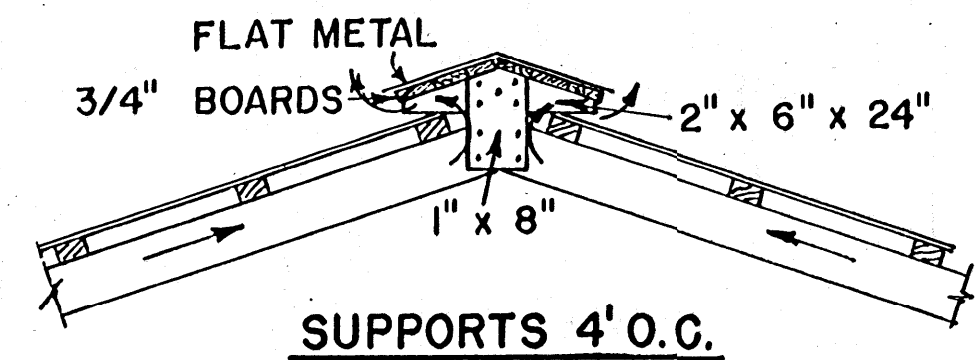
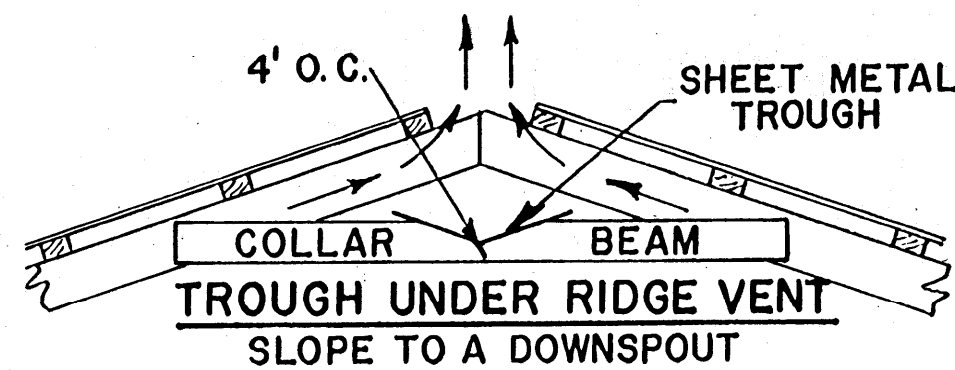
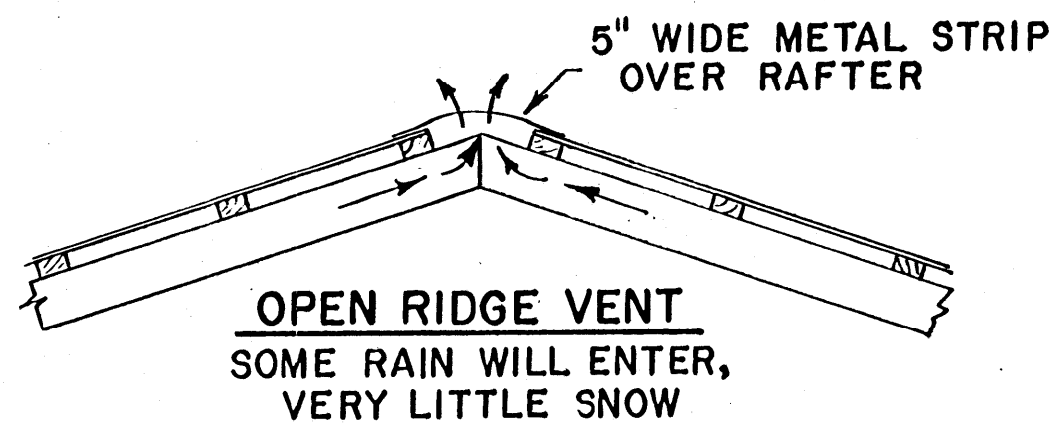
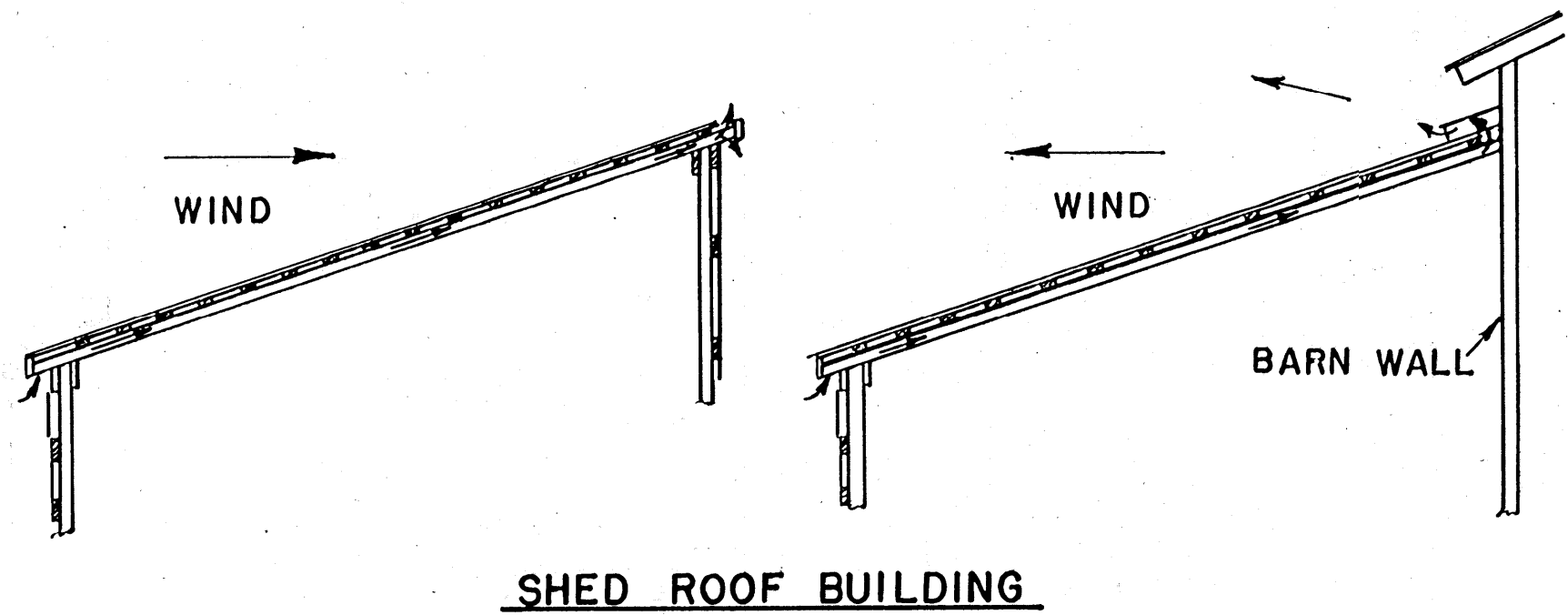
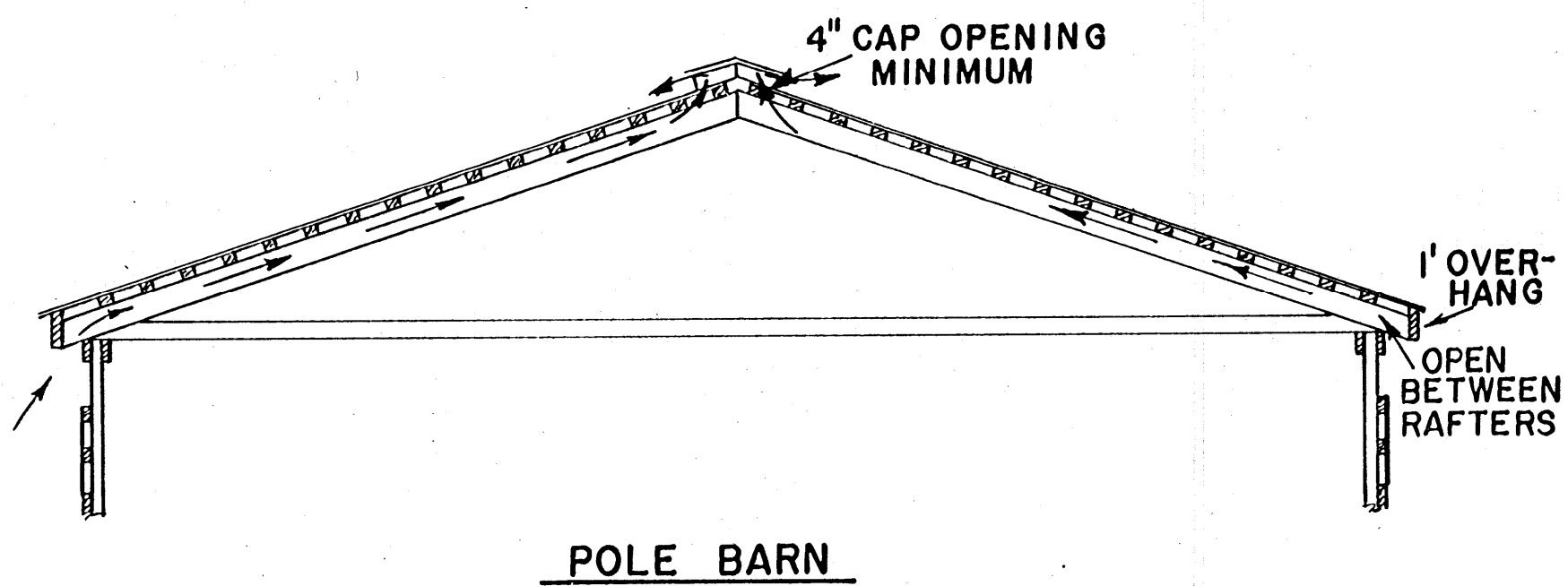
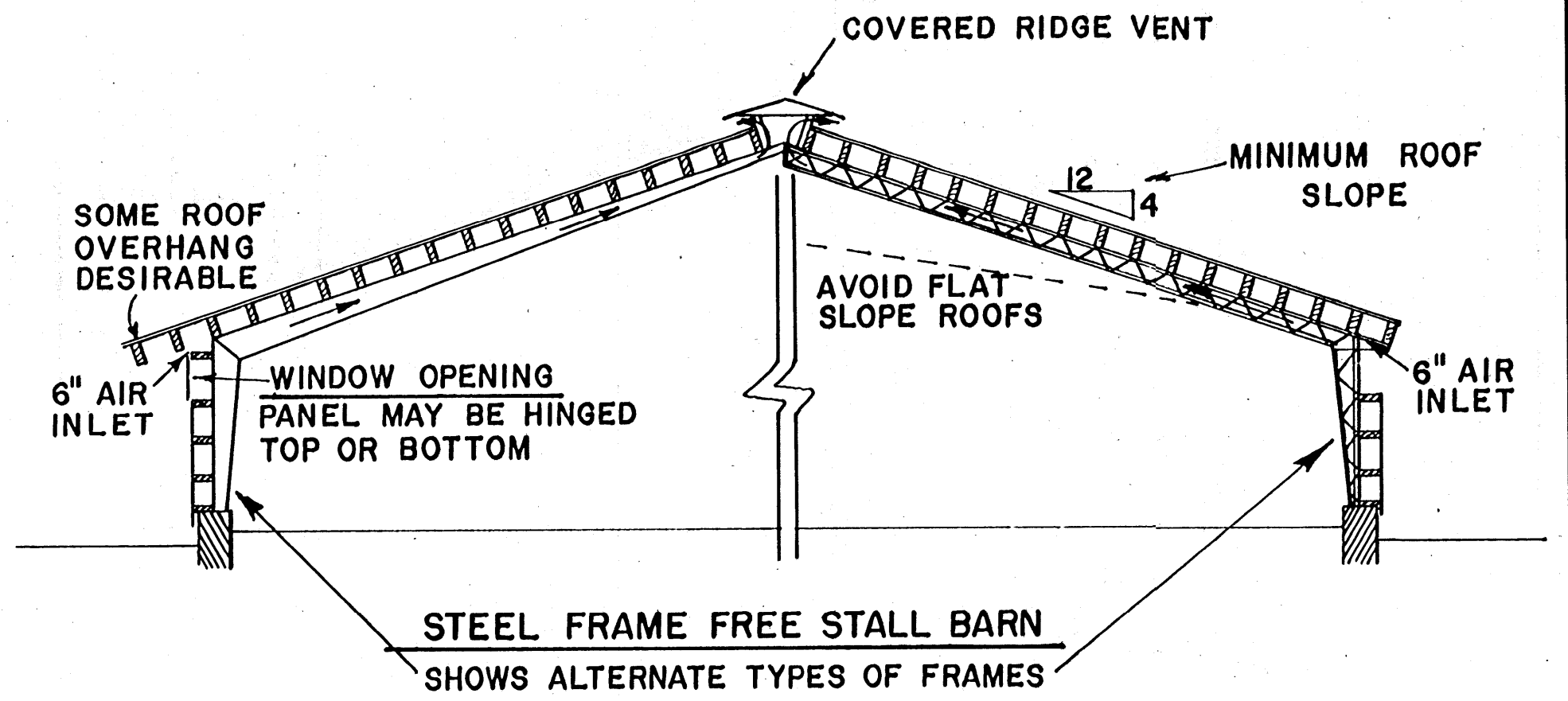
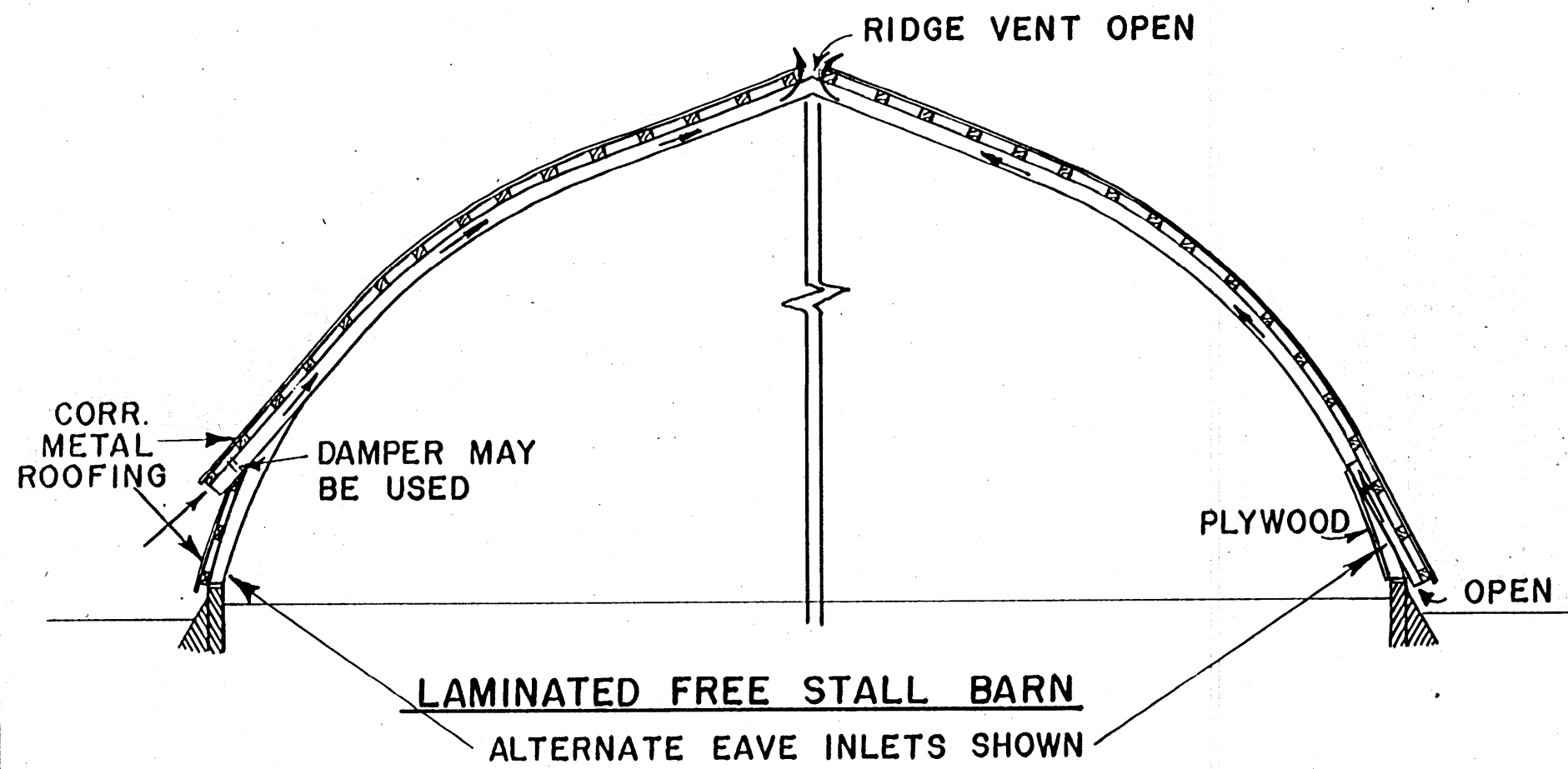
**FIG. 4 WINTER AIR MOVEMENT IN BARN
WIND BLOWING**

VENTILATION REQUIREMENTS FOR COLD, CLOSED FREE STALL BARN

1. RIDGE OPENING - 6" OPENING FOR BUILDINGS UP TO 40' WIDE (MINIMUM OPENING)
(CONTINUOUS) OVER 40' WIDE - 1 1/4" PER 10' OF WIDTH
2. EAVE OPENING - 6" MINIMUM HEIGHT, BETWEEN RAFTERS BOTH SIDES OF BARN
3. DROP PANEL OR WINDOW - CONTINUOUS BOTH SIDES OF BARN 18" TO 24" HIGH
4. RIDGE CAP OPTIONAL - USUALLY 3' TO 4' WIDE
5. RIDGE CAP OPENING - 4" UNDER CAP
6. ROOF SLOPE MINIMUM 4" IN 12"
7. WHITE OR ALUMINUM ROOFING FOR REFLECTIVE COOLING IN SUMMER

PENN. STATE UNIV.
NO. 723-385

COOPERATIVE EXTENSION WORK IN AGRICULTURE AND HOME ECONOMICS STATE OF MISSISSIPPI MISSISSIPPI STATE UNIVERSITY AND UNITED STATES DEPARTMENT OF AGRICULTURE COOPERATING		
VENTILATION SYSTEM FOR COLD FREE STALL BARN		
PA. '71	6126	SHEET 1 OF 2



COOPERATIVE EXTENSION WORK IN AGRICULTURE AND HOME ECONOMICS		
STATE OF MISSISSIPPI		
MISSISSIPPI STATE UNIVERSITY		
AND UNITED STATES DEPARTMENT OF AGRICULTURE COOPERATING		
VENTILATION SYSTEM FOR COLD FREE STALL BARN		
PA. '71	6126	SHEET 2 OF 2