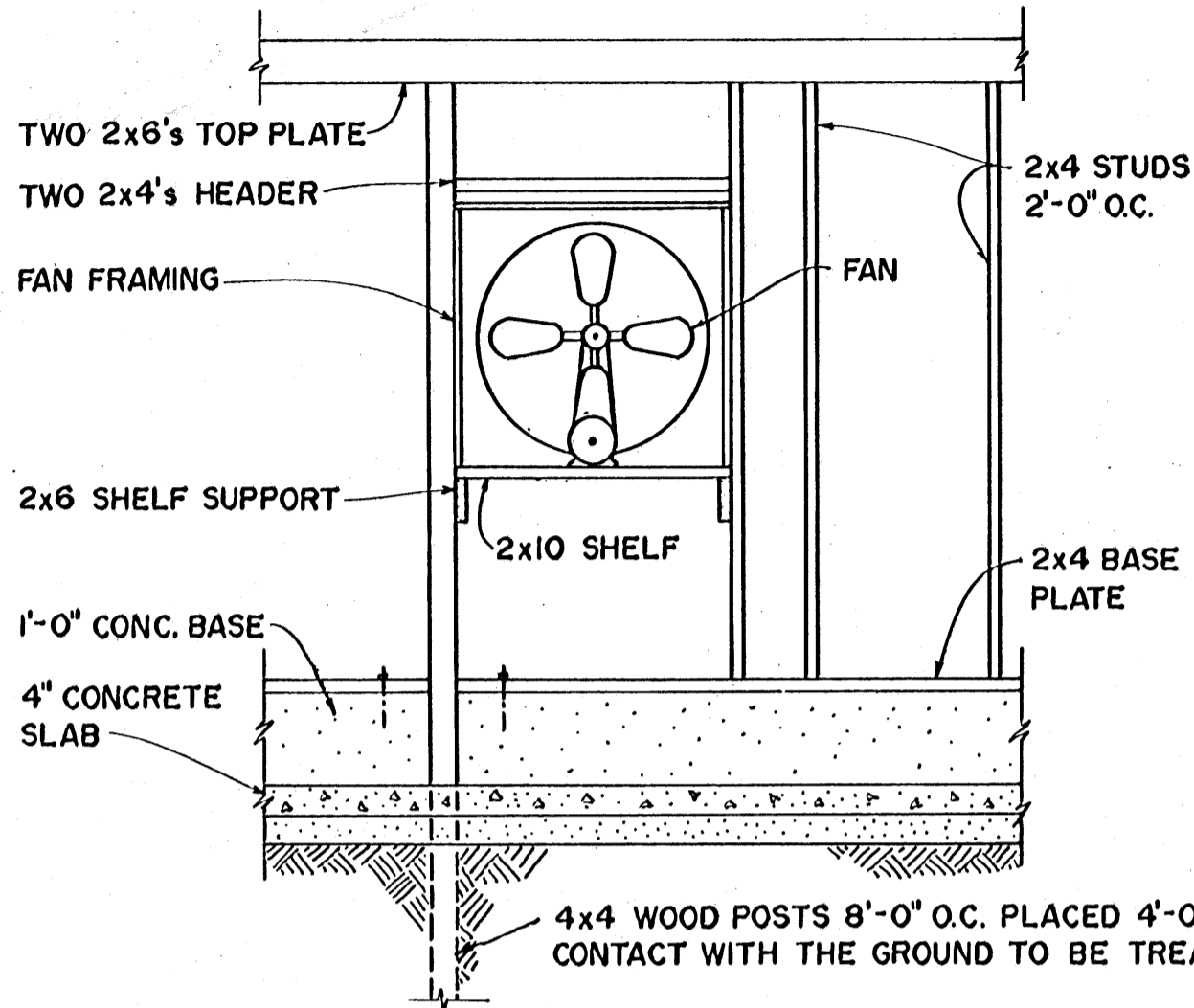


NOTE:

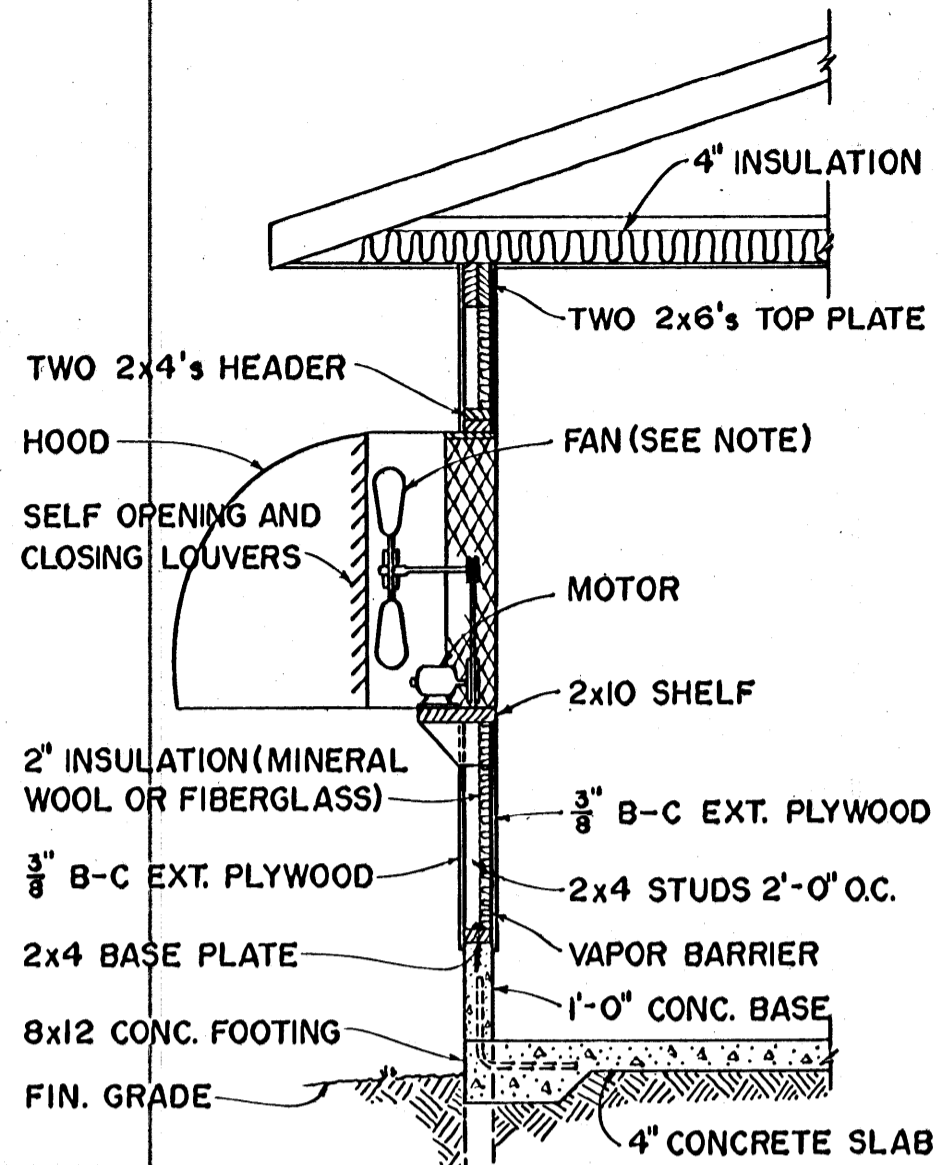
FANS SPACED 30'-0" O.C. AND CAPABLE OF DELIVERING 10,800 CFM EACH AT $\frac{1}{8}$ " S.P. MAX. VENTILATION RATE— 6 CFM PER HEN. 60 HENS PER FOOT OF HOUSE LENGTH.



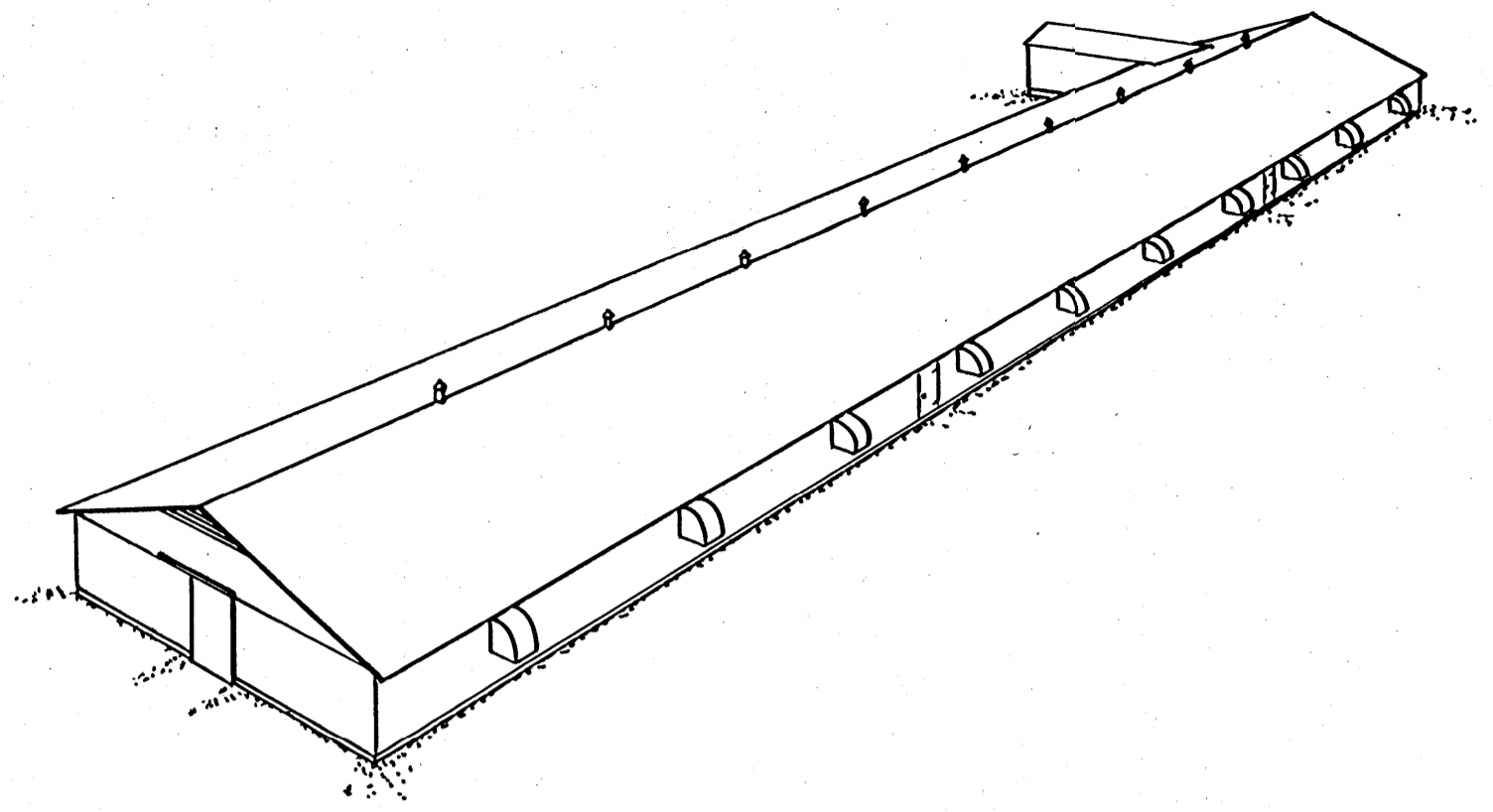
FRAMING VIEW FROM INSIDE OF HOUSE

FAN DETAIL

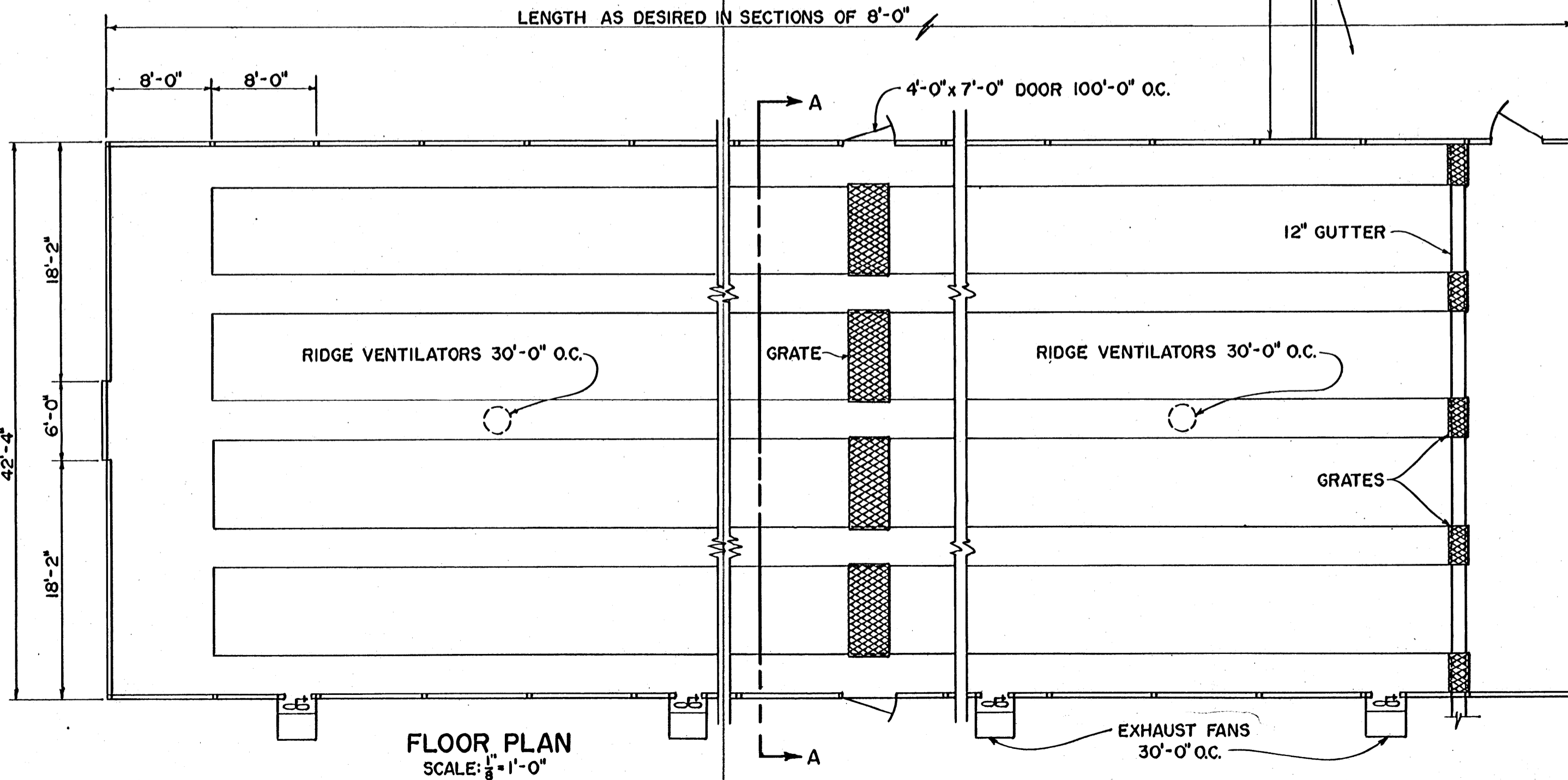
SCALE: $\frac{1}{2}$ " = 1'-0"



SECTION



PERSPECTIVE



FLOOR PLAN
SCALE: $\frac{1}{8}$ " = 1'-0"

MENTION OF A TRADE NAME DOES NOT CONSTITUTE A GUARANTEE OR WARRANTY OF THE PRODUCT BY THE U.S. DEPARTMENT OF AGRICULTURE OR AN ENDORSEMENT BY THE DEPARTMENT OVER OTHER PRODUCTS NOT MENTIONED.

NOTE:

CONSULT LOCAL AND STATE ZONING, HEALTH AND POLLUTION CODES BEFORE STARTING CONSTRUCTION.

IF BUILDING EXCEEDS 50 FEET IN LENGTH, CONTROL JOINTS ARE TO BE PLACED EVERY 50 FEET IN CONCRETE SLAB.

BASED ON AUBURN UNIV. PLAN I-301

COOPERATIVE EXTENSION WORK IN AGRICULTURE AND HOME ECONOMICS
STATE OF MISSISSIPPI
MISSISSIPPI STATE UNIVERSITY
AND
UNITED STATES DEPARTMENT OF AGRICULTURE COOPERATING

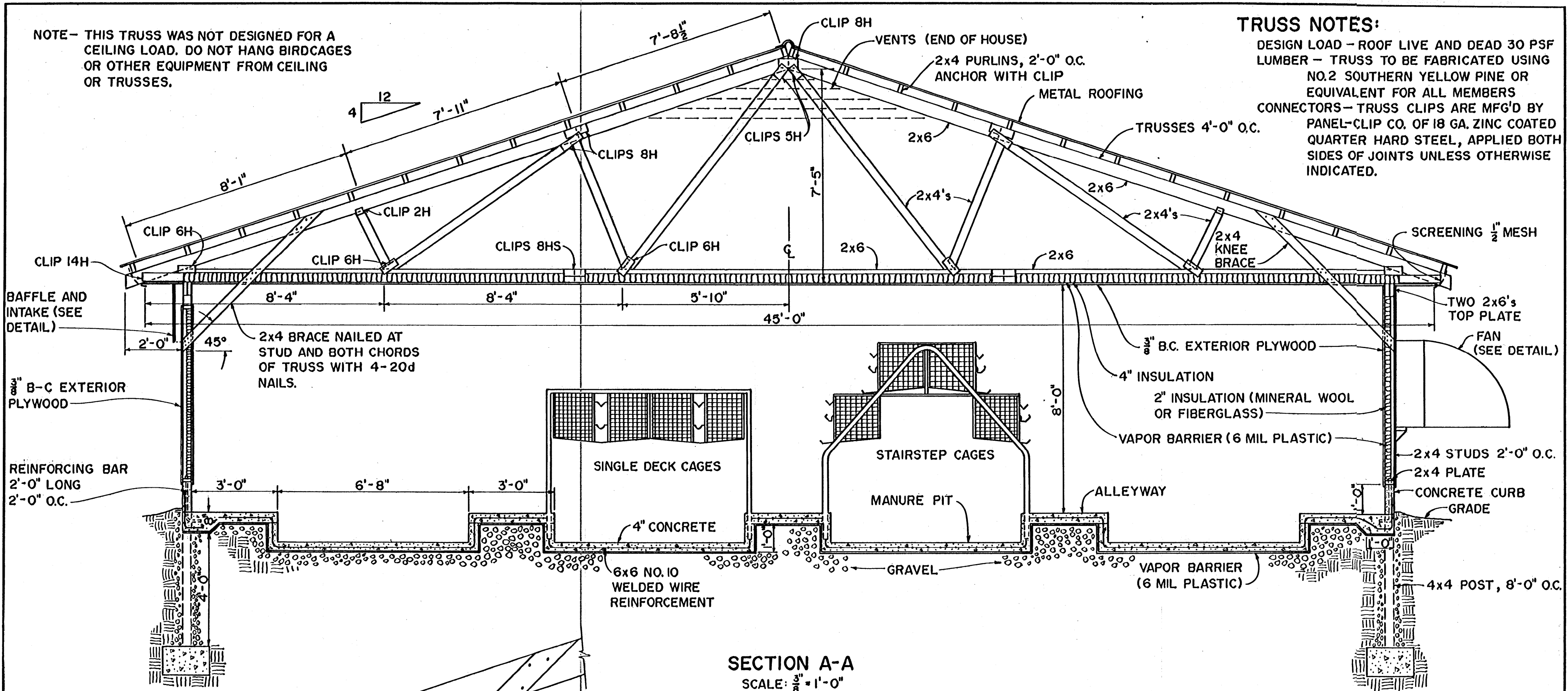
**POULTRY HOUSE
CAGED LAYERS**

ALA. '72 EX. 6134 SHEET 1 OF 3

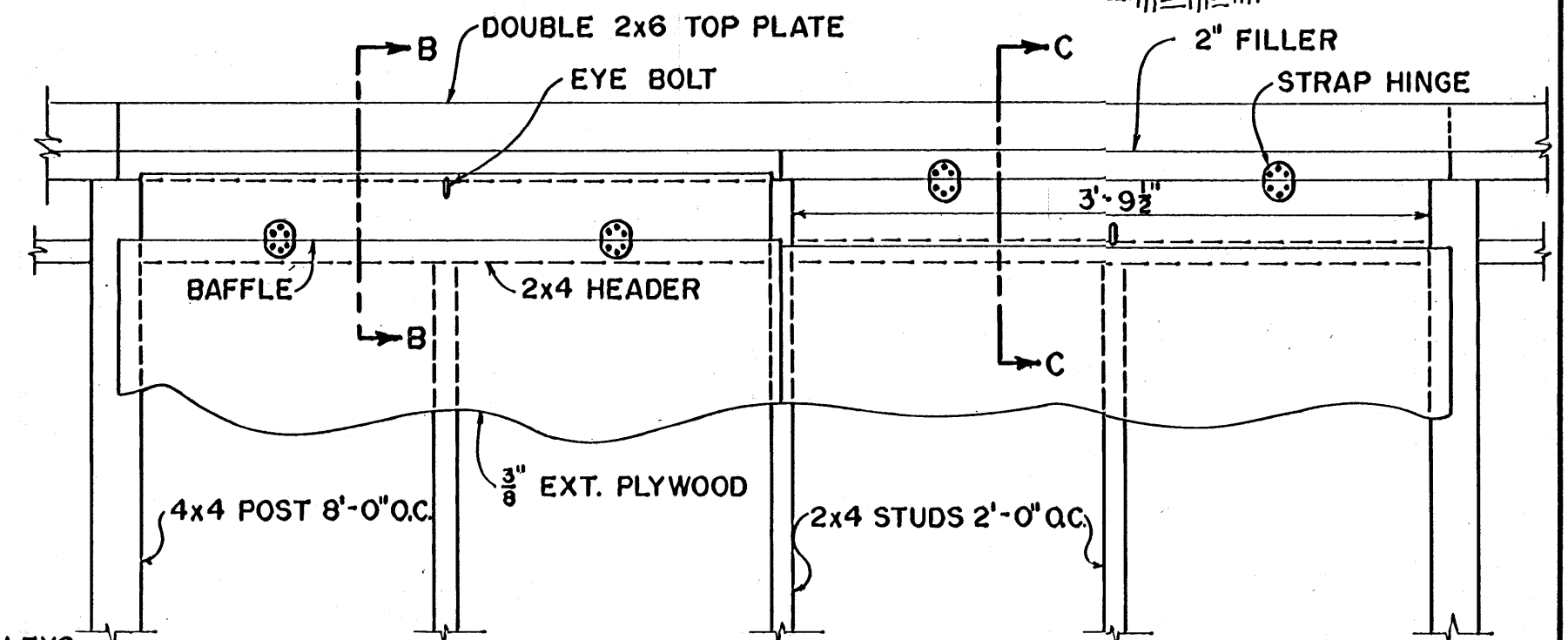
NOTE - THIS TRUSS WAS NOT DESIGNED FOR A CEILING LOAD. DO NOT HANG BIRDCAGES OR OTHER EQUIPMENT FROM CEILING OR TRUSSES.

TRUSS NOTES:

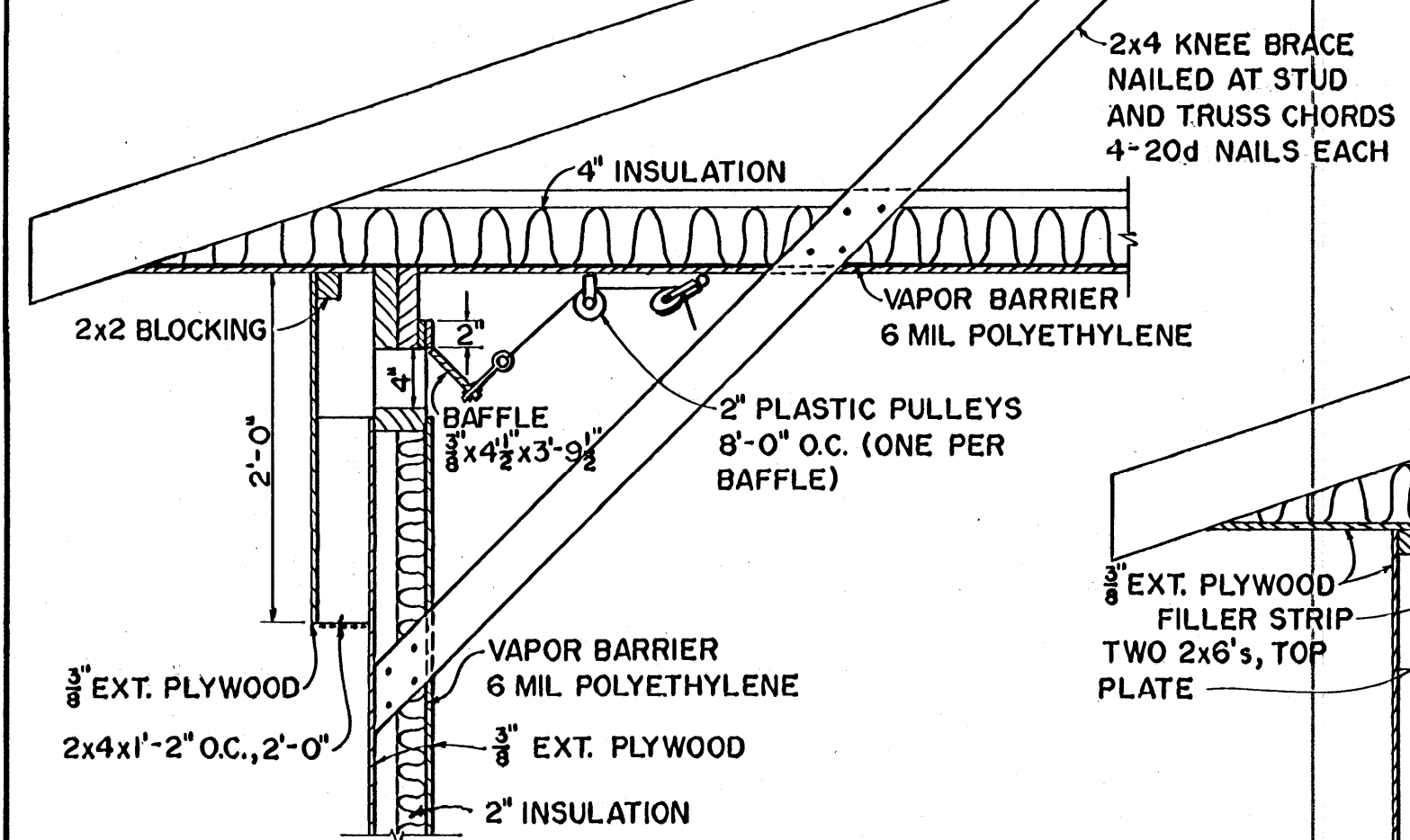
DESIGN LOAD - ROOF LIVE AND DEAD 30 PSF
 LUMBER - TRUSS TO BE FABRICATED USING NO.2 SOUTHERN YELLOW PINE OR EQUIVALENT FOR ALL MEMBERS
 CONNECTORS - TRUSS CLIPS ARE MFG'D BY PANEL-CLIP CO. OF 18 GA. ZINC COATED QUARTER HARD STEEL, APPLIED BOTH SIDES OF JOINTS UNLESS OTHERWISE INDICATED.



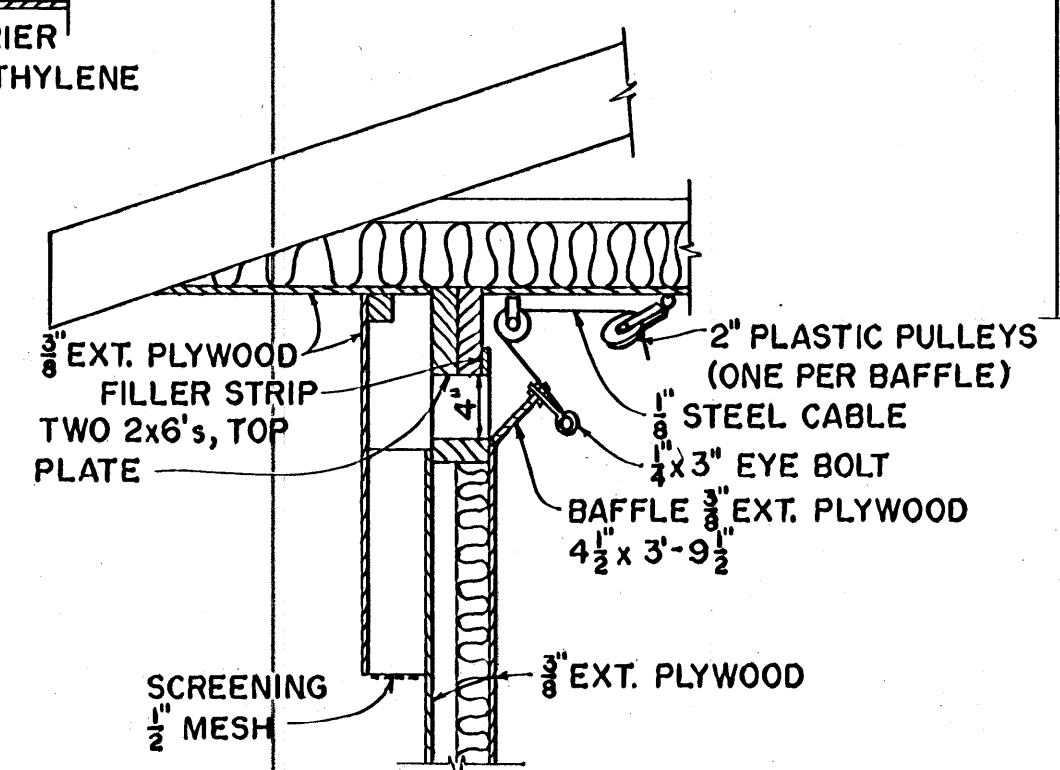
SECTION A-A
 SCALE: $\frac{3}{8}'' = 1'-0''$



VIEW OF BAFFLE FROM INSIDE HOUSE
 SCALE: $1'' = 1'-0''$



BAFFLE AND INTAKE DETAIL SECTION C-C
 SCALE: $1'' = 1'-0''$

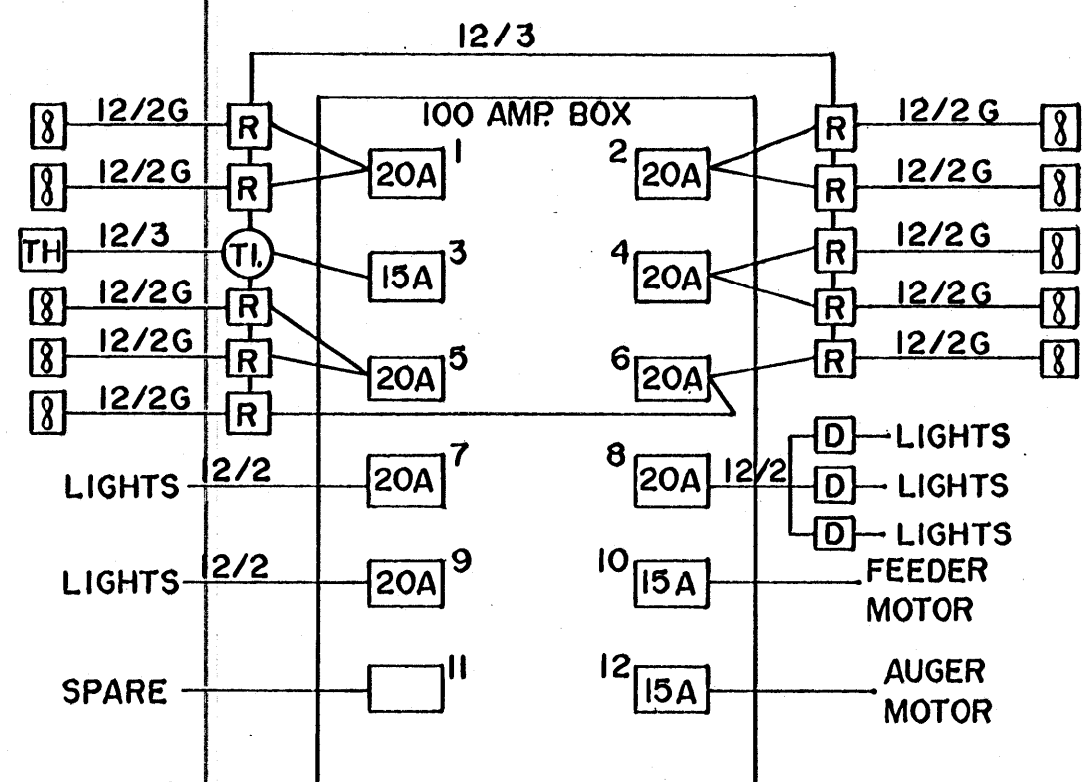
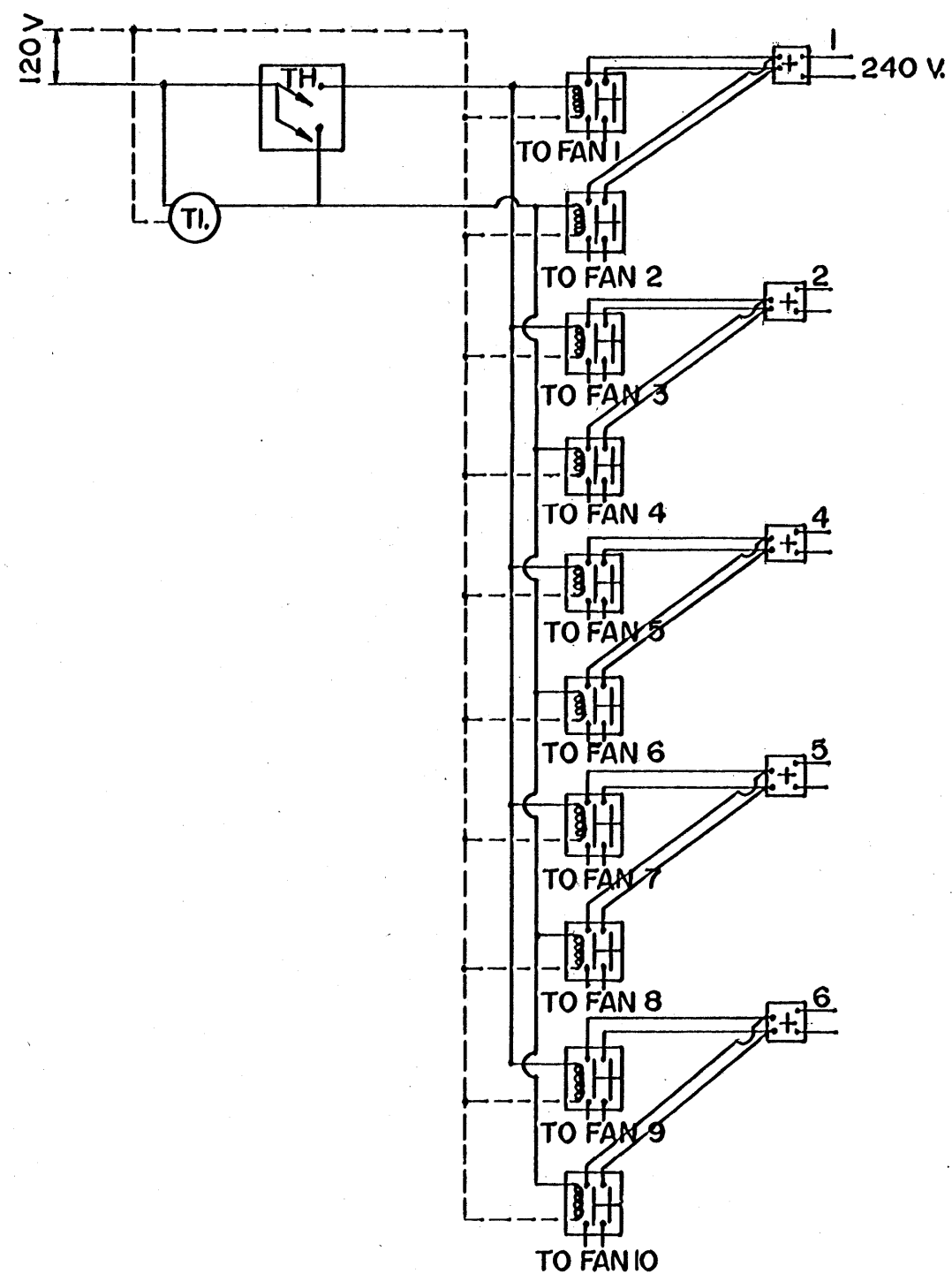
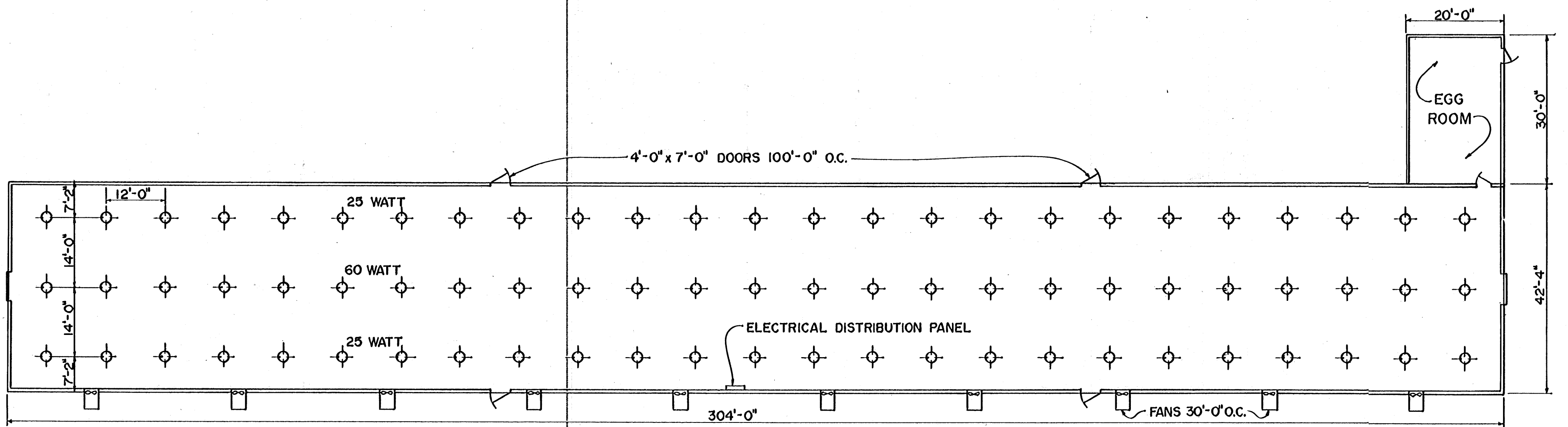


BAFFLE AND INTAKE DETAIL SECTION B-B
 SCALE: $1'' = 1'-0''$

COOPERATIVE EXTENSION WORK IN
 AGRICULTURE AND HOME ECONOMICS
 STATE OF MISSISSIPPI
 MISSISSIPPI STATE UNIVERSITY
 AND
 UNITED STATES DEPARTMENT OF AGRICULTURE COOPERATING

**POULTRY HOUSE
 CAGED LAYERS**

ALA. '72 EX. 6134 SHEET 2 OF 3



DETAIL OF ELECTRICAL DISTRIBUTION PANEL (FOR LAYING HOUSE ONLY)

240 VOLT CIRCUITS

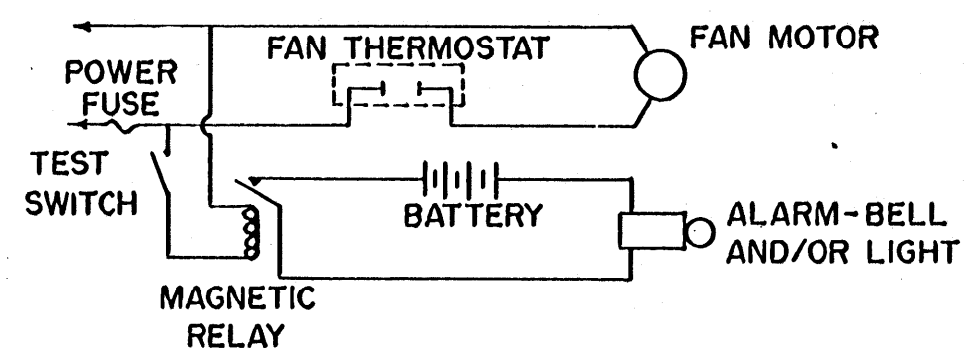
- CIR. BREAKER NO.1 - 2 FAN CIRCUITS
- CIR. BREAKER NO.2 - 2 FAN CIRCUITS
- CIR. BREAKER NO.4 - 2 FAN CIRCUITS
- CIR. BREAKER NO.5 - 2 FAN CIRCUITS
- CIR. BREAKER NO.6 - 2 FAN CIRCUITS
- CIR. BREAKER NO.10 - FEEDER MOTOR
- CIR. BREAKER NO.12 - AUGER MOTOR

120 VOLT CIRCUITS

- CIR. BREAKER NO.3 - RELAY CONTROL CIR.
- CIR. BREAKER NO.7 - LIGHTS ON ONE SIDE
- CIR. BREAKER NO.8 - CENTER LIGHTS WITH DIMMER
- CIR. BREAKER NO.9 - LIGHTS ON ONE SIDE

SYMBOLS

- TI - TIMER
- TH - THERMOSTAT
- R - RELAY
- D - DIMMER



BATTERY OPERATED RELAY CONTROLLED ALARM

ELECTRICAL DIAGRAM FOR 304'-0" HOUSE
SCALE: 1/8" = 1'-0"

COOPERATIVE EXTENSION WORK IN
AGRICULTURE AND HOME ECONOMICS
STATE OF MISSISSIPPI
MISSISSIPPI STATE UNIVERSITY
AND
UNITED STATES DEPARTMENT OF AGRICULTURE COOPERATING

POULTRY HOUSE
CAGED LAYERS

ALA. '72

EX. 6134

SHEET 3 OF 3