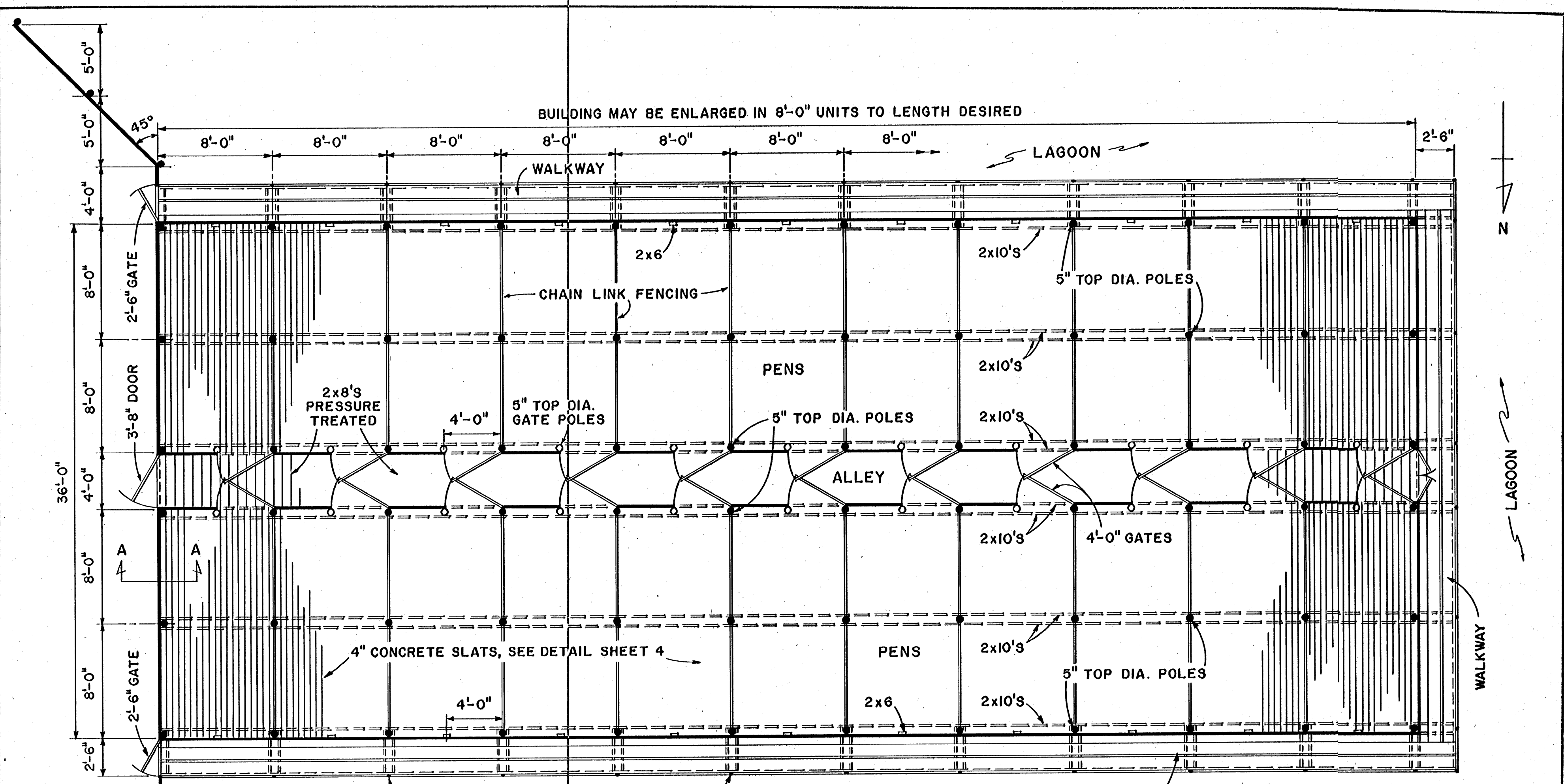


**PERSPECTIVE**

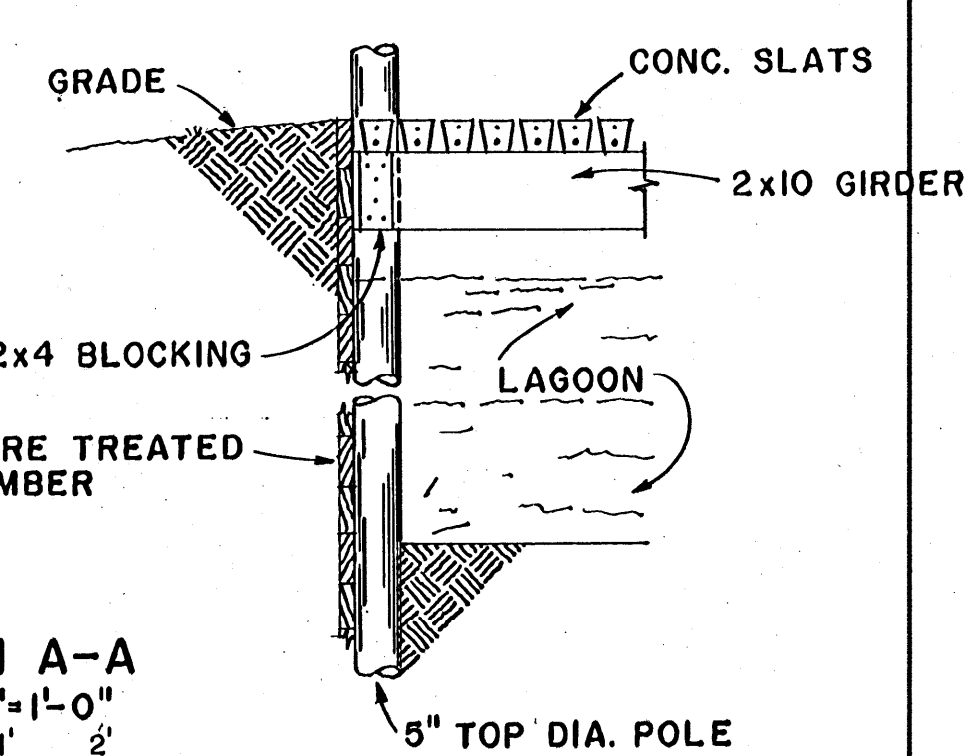
**NOTE:**  
 CONSULT LOCAL HEALTH AND BUILDING  
 CODE AUTHORITIES BEFORE STARTING  
 CONSTRUCTION.

BASED ON: AUBURN UNIV. PLAN NO. J-138

COOPERATIVE EXTENSION WORK IN AGRICULTURE AND HOME ECONOMICS STATE OF MISSISSIPPI MISSISSIPPI STATE UNIVERSITY AND UNITED STATES DEPARTMENT OF AGRICULTURE COOPERATING		
<b>FINISHING PARLOR FOR HOGS          SLATTED FLOOR OVER LAGOON</b>		
ALA. '74	6178	SHEET 1 OF 5



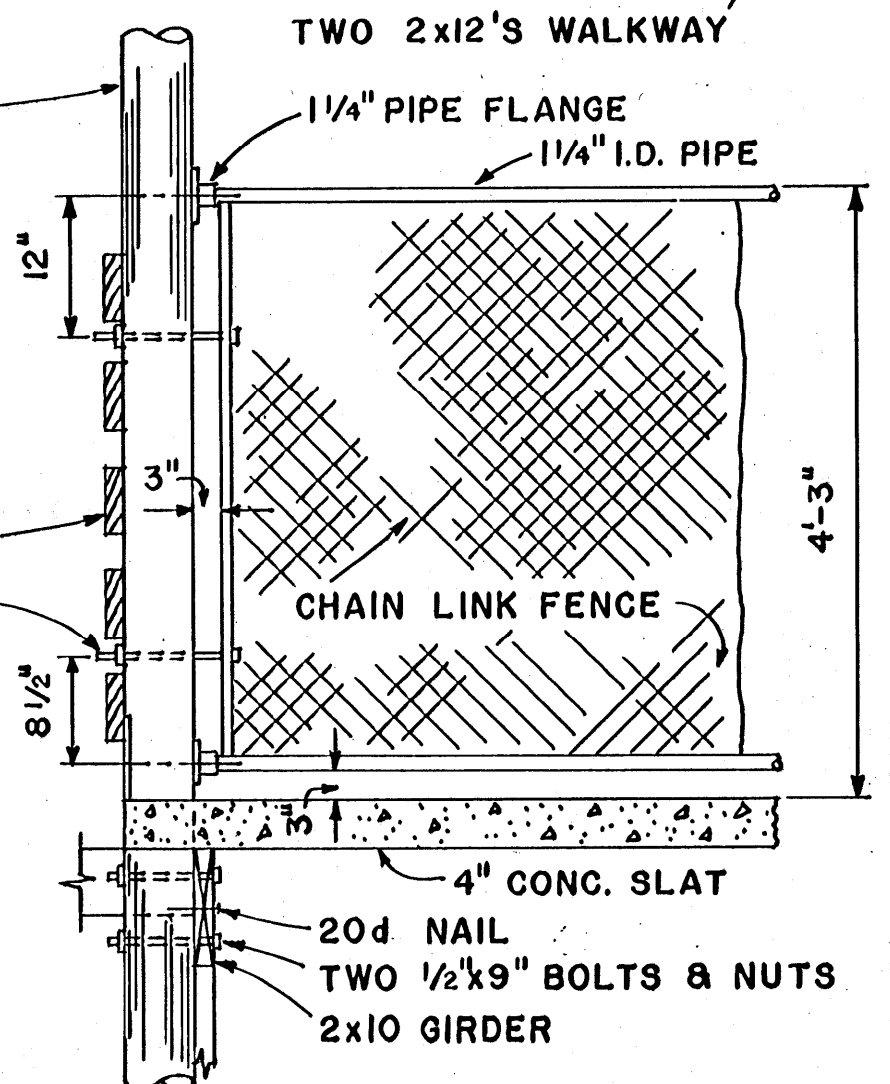
RETAINING WALL, USE 2" PRESSURE TREATED ROUGH LUMBER.



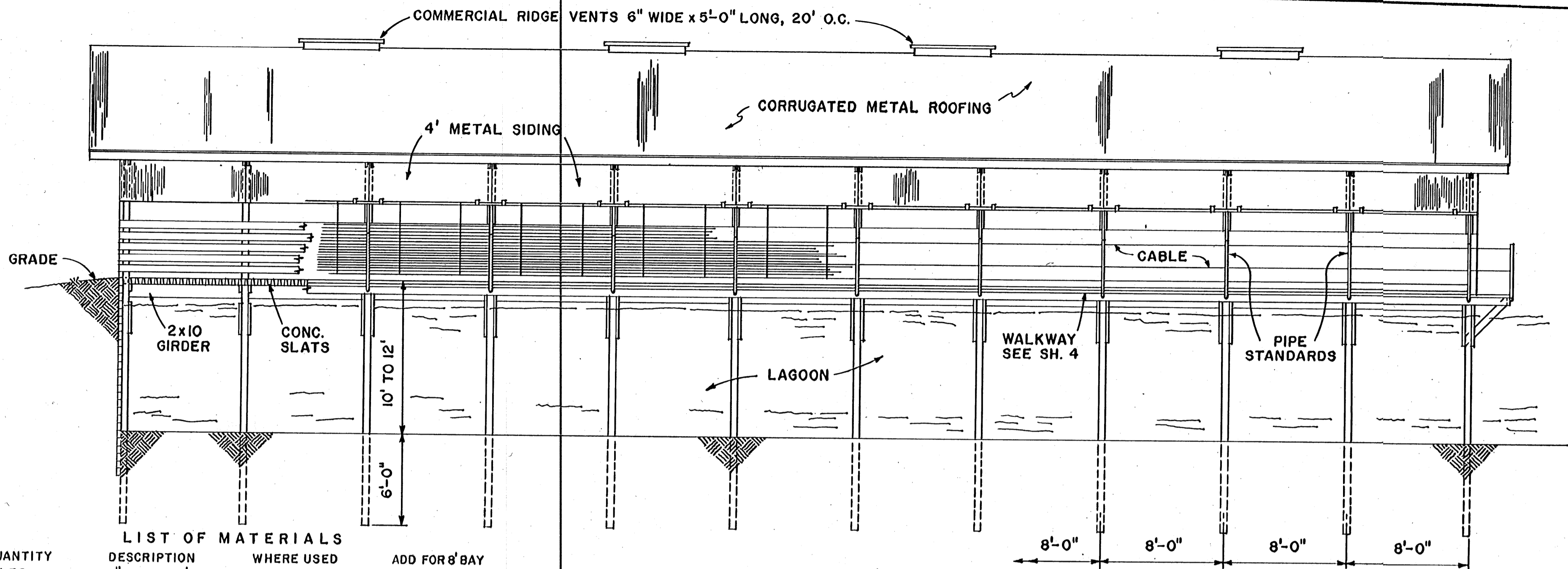
**SECTION A-A**  
SCALE: 1/2" = 1'-0"  
12' 6" 0' 1' 2'

**FLOOR PLAN**  
SCALE: 3/16" = 1'-0"  
12' 0' 1' 2' 3' 4' 5' 6' 7' 8'

**DETAIL "A"**  
SCALE: 3/4" = 1'-0"  
12' 6" 0' 1'



COOPERATIVE EXTENSION WORK IN  
AGRICULTURE AND HOME ECONOMICS  
STATE OF MISSISSIPPI  
MISSISSIPPI STATE UNIVERSITY  
AND  
UNITED STATES DEPARTMENT OF AGRICULTURE COOPERATING  
**FINISHING PARLOR FOR HOGS  
SLATTED FLOOR OVER LAGOON**  
ALA. '74      6178      SHEET 2 OF 5

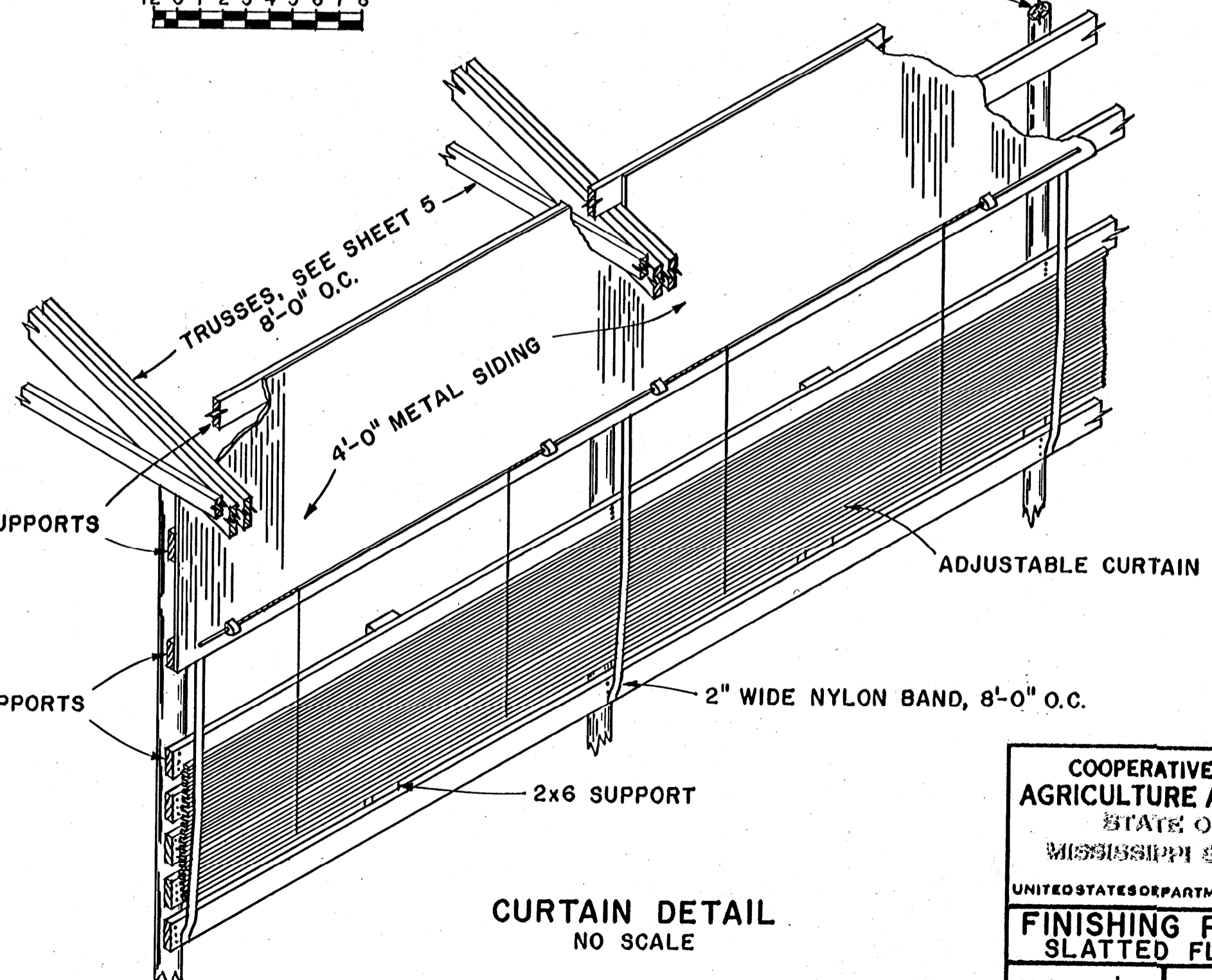


**SIDE ELEVATION**

SCALE: 3/16" = 1'-0"  
 12' 0" 1' 2' 3' 4' 5' 6' 7' 8'

QUANTITY	DESCRIPTION	WHERE USED	ADD FOR 8' BAY
32 POLES	5" TOP Ø x 26' LG.	SIDE FRAMING	2 POLES
40 POLES	5" TOP Ø x 21' LG.	INTERIOR FRAM.	4 POLES
22 POLES	5" TOP Ø x 6' LG.	GATE POLES	2 POLES
836 CONC. SLATS	4" WIDE x 8' LG.	FLOOR	76
<b>LUMBER (PRESSURE-TREATED)</b>			
120 PCS.-180 BF	2x6x1'-6"	SUPPORT PLATE	10 PCS. 15 BF
50 PCS.-1333 BF	2x10x16'	GIRDERS	5 PCS. 133 BF
12 PCS.-320 BF	2x10x12'	GIRDERS	
24 PCS.-336 BF	2x6x14'	WALK SUPPORT	2 PCS. 28 BF
10 PCS.-160 BF	2x6x16'	WALK SUPPORT	1 PC. 16 BF
4 PCS.-48 BF	2x6x12' (END BAY)	WALK SUPPORT	
1 PC.-20 BF	2x6x20' (END BAY)	WALK SUPPORT	
19 PCS.-608 BF	2x12x16'	WALK	2 PCS. 64 BF
2 PCS.-72 BF	2x12x18'	WALK	
4 PCS.-160 BF	2x12x20'	WALK	
2 PCS.-48 BF	2x12x12'	WALK	
132 PCS.-704 BF	2x8x4'	ALLEYWAY	12 PCS. 64 BF
132 PCS.-2112 BF	2x6x16'	PEN SIDES, GATES, CURTAIN SUPPORTS	12 PCS. 192 BF
22 PCS.-88 BF	2x6x4'	PEN STIFFENERS	2 PCS. 8 BF
108 PCS.-1728 BF	2x6x16'	PURLINS	12 PCS. 192 BF
24 PCS.-480 BF	2x6x20'	PURLINS (ENDS)	12 PCS. 240 BF
26 PCS.-416 BF	2x8x16'	ENDS (FRAMING)	
NOTE: SEE SHEET 5 FOR TRUSS MATERIALS.			
3520 SQ. FT.	R=8 INSULATION	ROOF	320 SQ. FT.
3168 SQ. FT.	CORR. METAL	ROOF	352 SQ. FT.
880 SQ. FT.	CORR. METAL	ROOF (END BAYS)	440 SQ. FT.
704 SQ. FT.	CORR. METAL	SIDES	64 SQ. FT.
780 SQ. FT.	CORR. METAL	ENDS	390 SQ. FT. EA. END
176 FT.	5' DROP CURTAIN	SIDES	16 FT.
1080 SQ. FT.	CHAIN LINK FENCE	PEN PARTITIONS	108 SQ. FT.
160	1/2" Ø x 12" BOLTS	PEN PARTITIONS	16
4	6x5' RIDGE VENTS	ROOF	
288	ANCHORS	PURLINS	24
44	STRAP HINGES	GATES	4
4	STRAP HINGES	GATES (END OF WALK)	
1	DOOR 3'-8"x7'	END OF BLDG.	
1	DOOR 1'-10"x7' (2)	END OF BLDG.	
454	1/2" STEEL CABLE	WALK	32 FT.
32 PCS.	2" I.D. STEEL PIPE 3'-8" LG.	WALK	2
32 PCS.	FLANGES FOR PIPE STANDARDS		2 PCS.

NAILS, SCREWS, ROOFING NAILS  
 NOTE: POLES & LUMBER; PRESSURE-TREATED WITH CREOSOTE OR 5% PENTA. SOLUTION TO A RETENTION OF 6-8 LBS./CU. FT. OF WOOD. THIS LIST OF MATERIALS DOES NOT INCLUDE RETAINING WALL NOR FENCE AROUND LAGOON.



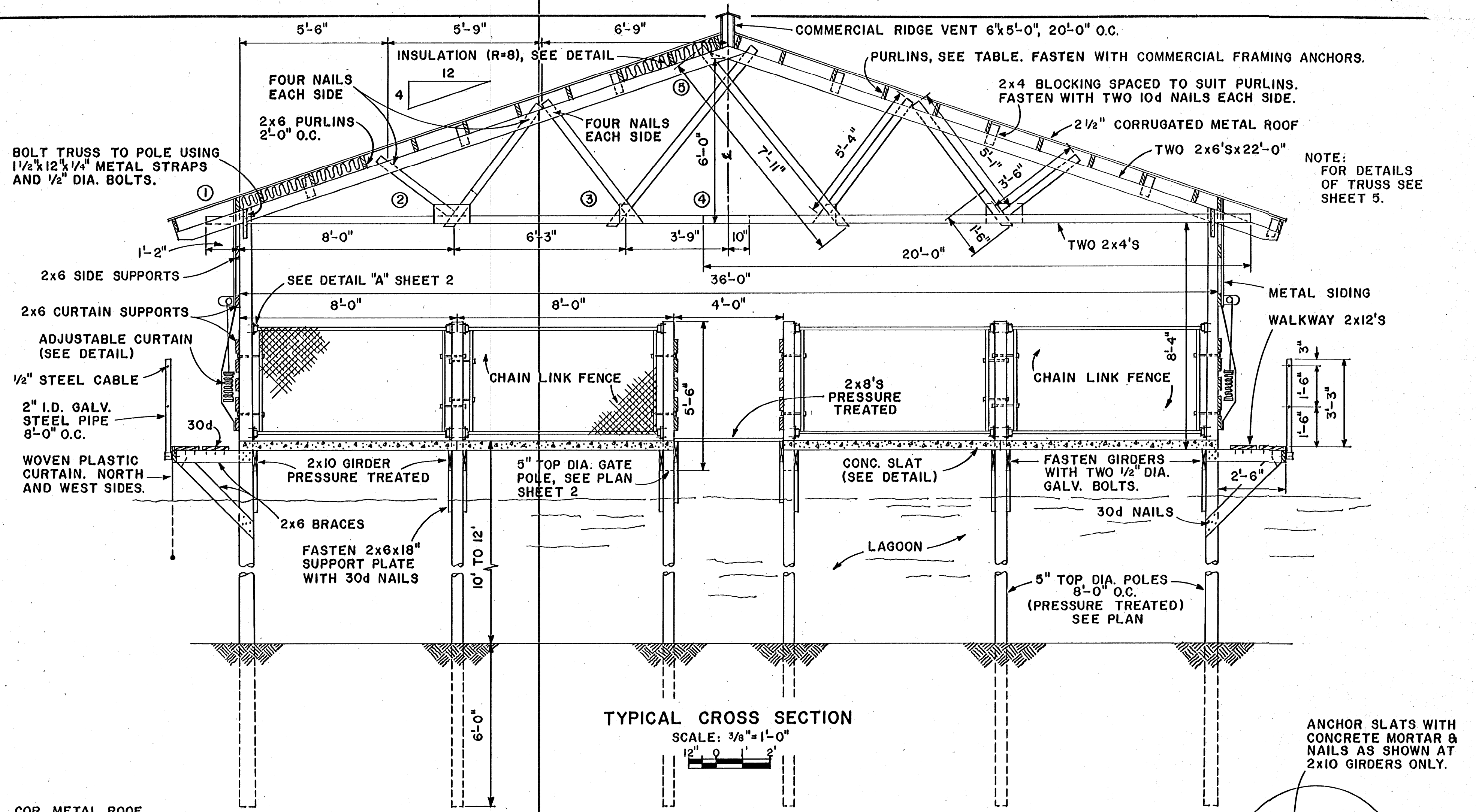
**CURTAIN DETAIL**  
NO SCALE

COOPERATIVE EXTENSION WORK IN  
 AGRICULTURE AND HOME ECONOMICS  
 STATE OF MISSISSIPPI  
 MISSISSIPPI STATE UNIVERSITY  
 AND  
 UNITED STATES DEPARTMENT OF AGRICULTURE COOPERATING

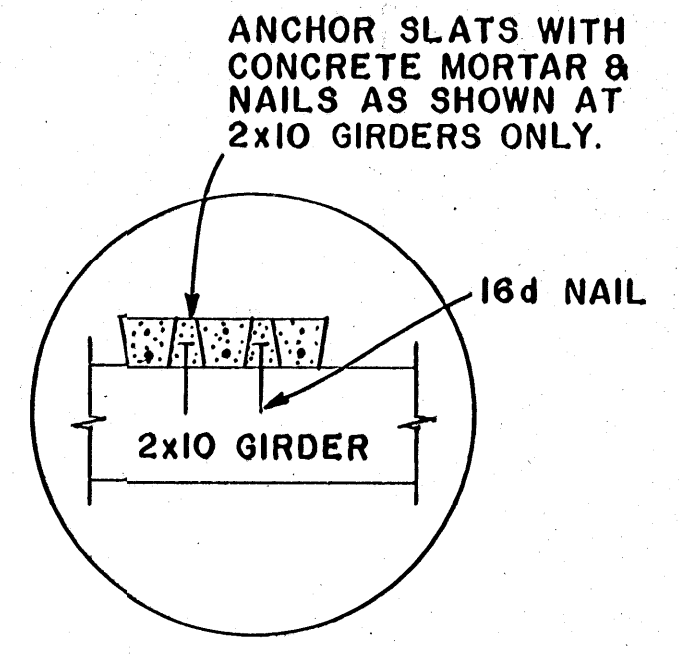
**FINISHING PARLOR FOR HOGS**  
**SLATTED FLOOR OVER LAGOON**

ALA. '74 **6178** SHEET 3 OF 5

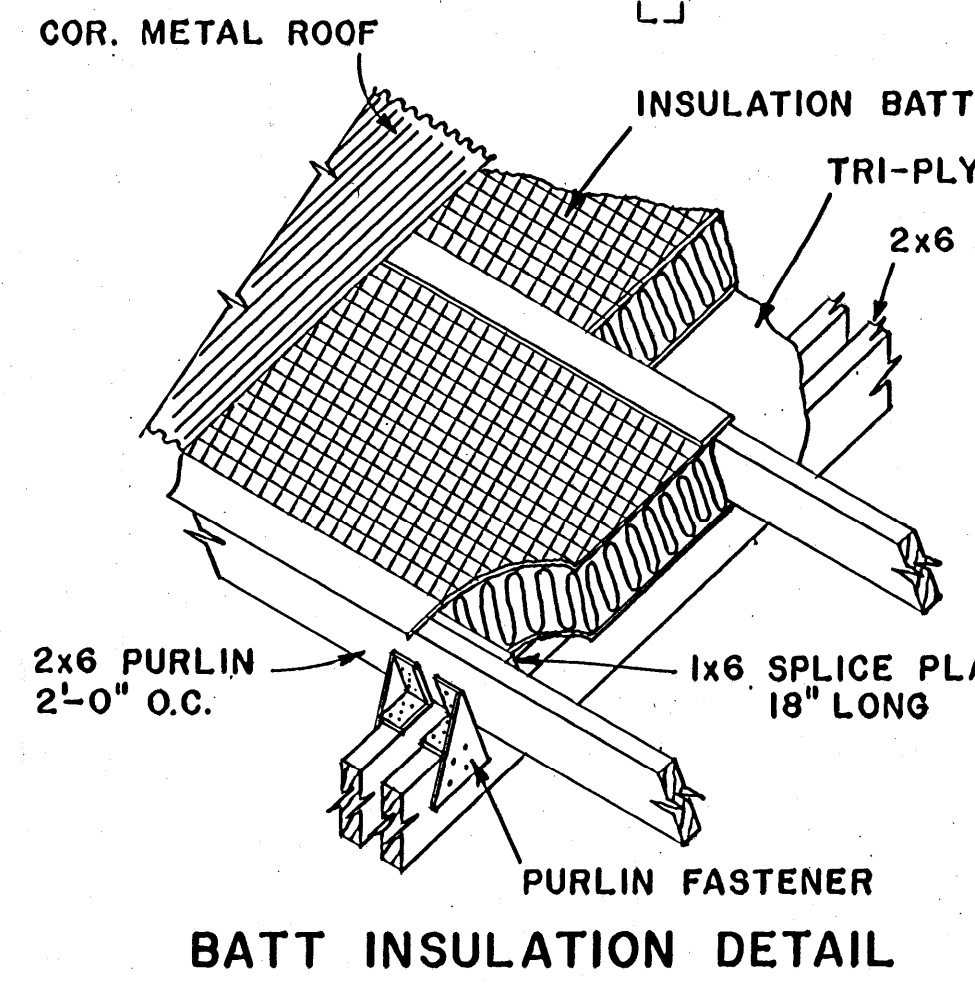




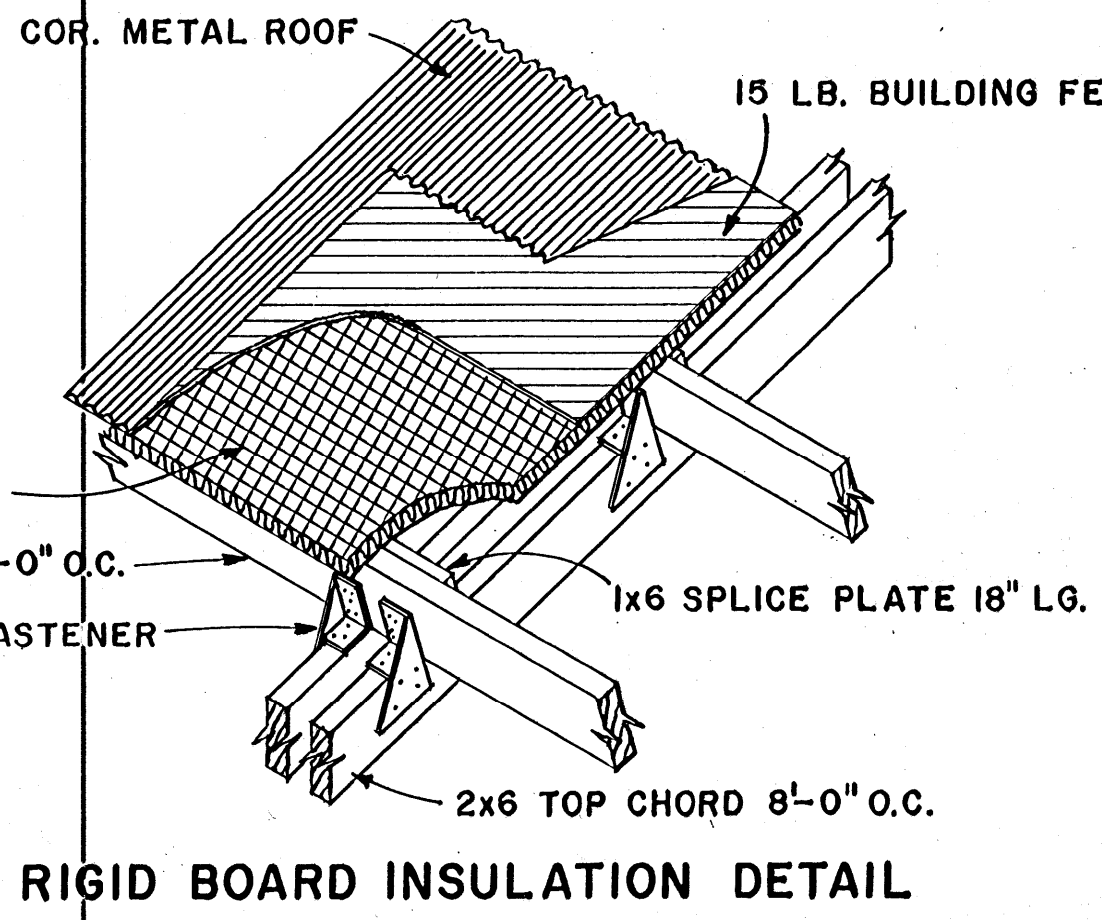
**TYPICAL CROSS SECTION**  
 SCALE: 3/8" = 1'-0"



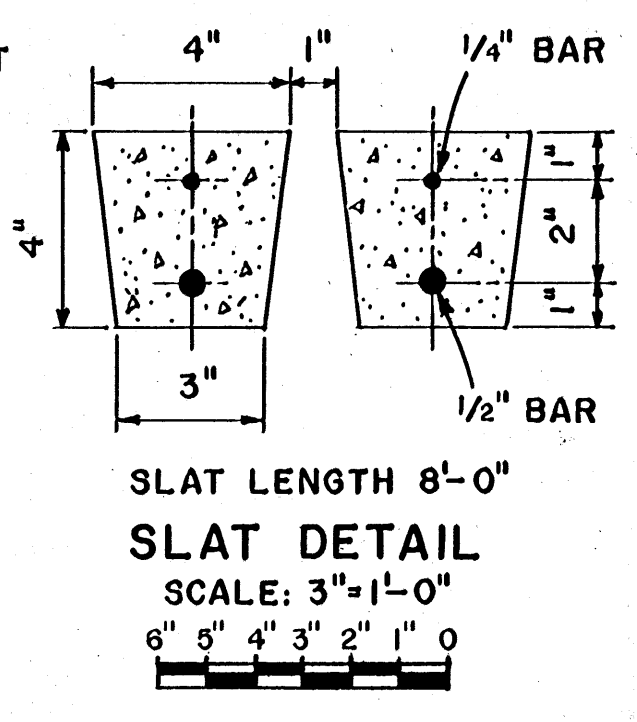
**SLAT ANCHORAGE DETAIL**



**BATT INSULATION DETAIL**  
 SCALE: 3/4" = 1'-0"



**RIGID BOARD INSULATION DETAIL**



**SLAT DETAIL**  
 SCALE: 3" = 1'-0"

COOPERATIVE EXTENSION WORK IN AGRICULTURE AND HOME ECONOMICS

STATE OF MISSISSIPPI

MISSISSIPPI STATE UNIVERSITY

UNITED STATES DEPARTMENT OF AGRICULTURE COOPERATING

**FINISHING PARLOR FOR HOGS**  
**SLATTED FLOOR OVER LAGOON**

ALA.	'74	6178	SHEET 4 OF 5
------	-----	------	--------------

WHERE SNOW OR WIND LOADS WILL NOT EXCEED----	TRUSSES MAY BE SPACED UP TO----	PURLINS MAY BE SPACED UP TO----	
15 LBS. PER SQ. FT.	12'-0" O. C.	2" x 4" 2" x 6"	1'-6" O. C. 3'-6"*
18 LBS.	10'-0"	2" x 4" 2" x 6"	1'-8" 3'-6"
23 LBS.	8'-0"	2" x 4" 2" x 6"	2'-0" 3'-0"
31 LBS.	6'-0"	2" x 4"	2'-6"

\* MAX. SPACING FOR CORRUGATED METAL

THIS TRUSS IS DESIGNED TO SUPPORT LOADS UP TO 200 LBS PER FOOT OF SPAN, INCLUDING THE WEIGHT OF THE ROOF.

ALL LUMBER SHALL BE STRESS GRADED TO PROVIDE 1500 PSI FIBER STRESS IN BENDING, AND 1350 PSI IN COMPRESSION.

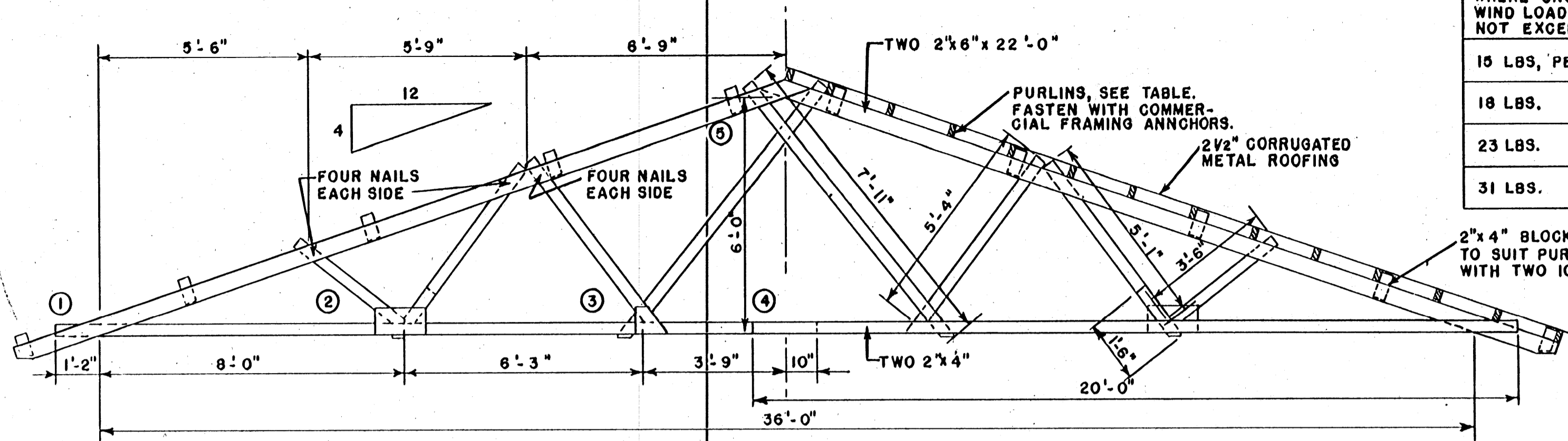
MATERIALS FOR ONE TRUSS:

- TOP CHORD.....4 PCS. 2"x6"x 22'-0"
- BOTTOM CHORD.....4 " 2"x4"x 20'-0"
- WEB MEMBERS.....4 " 2"x4"x 14'-0"
- 8 BLOCKING.....3 " 2"x4"x 14'-0"
- 1 " 2"x4"x 18'-0"

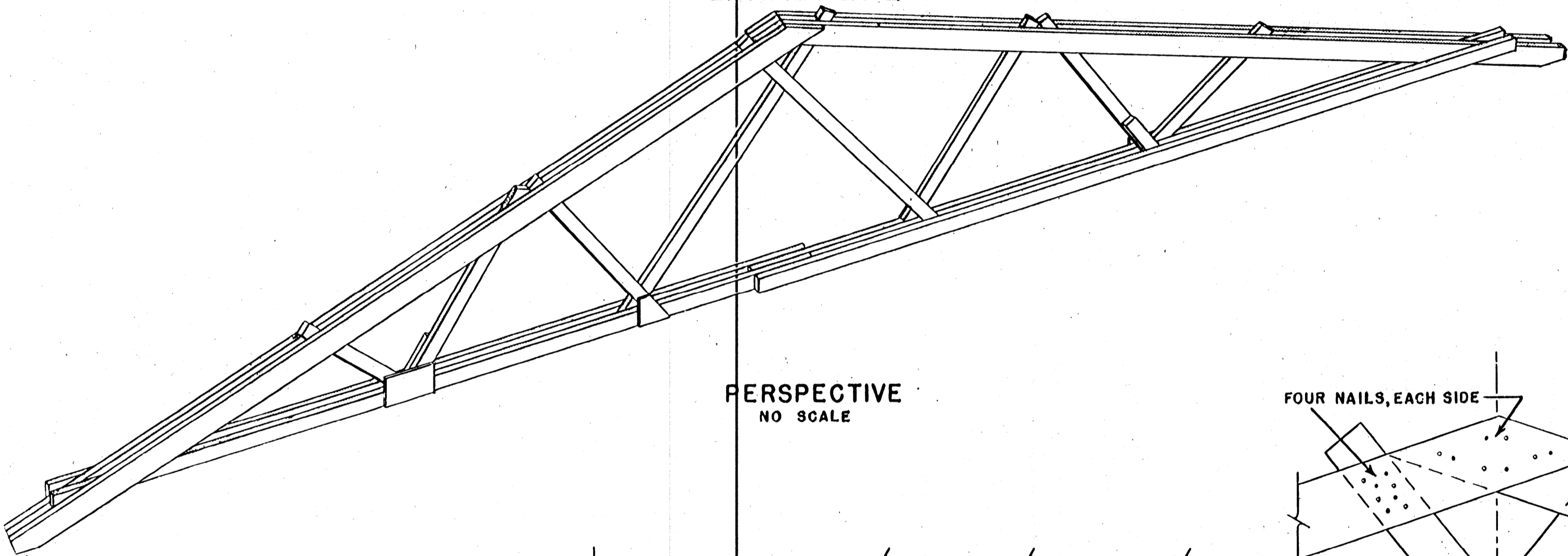
ONE 48"x96" PLYWOOD PANEL WILL PROVIDE GUSSETS FOR 12 TRUSSES

NAILS.....6 1/4 LBS 20d COMMON  
1 " 10d "

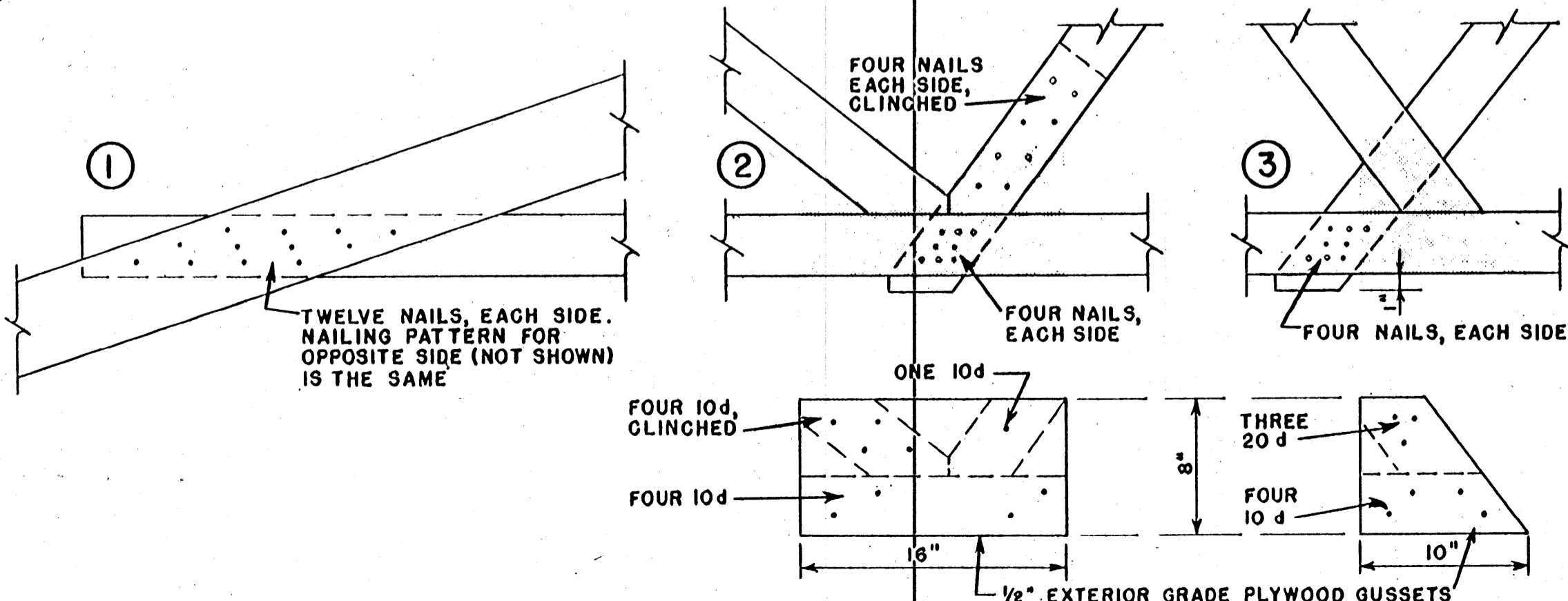
TRUSSES SHOULD BE SECURELY ANCHORED TO THE SUPPORTING STRUCTURE.



ELEVATION  
SCALE: 3/8" = 1'-0"

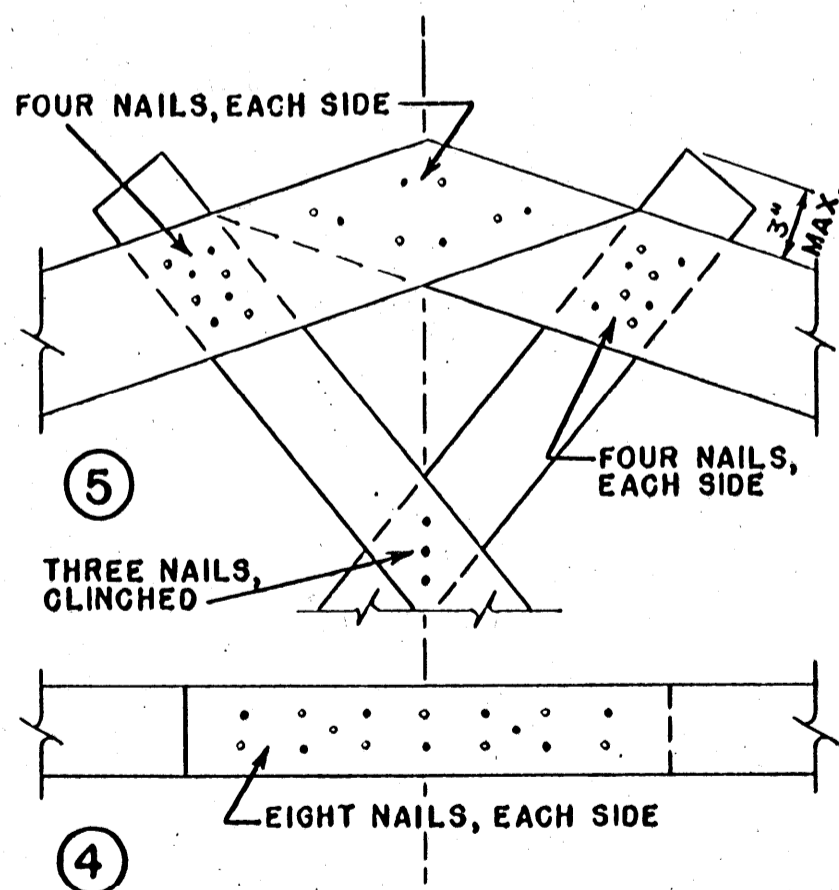


PERSPECTIVE  
NO SCALE

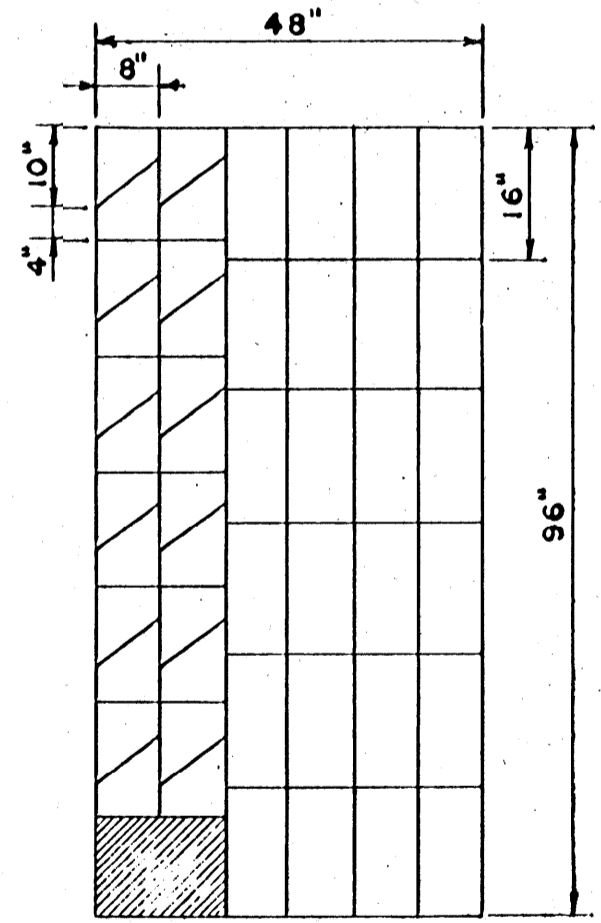


SCALE: 1/2" = 1'-0"

JOINT DETAILS  
SCALE: 1/2" = 1'-0"



ALL NAILS TO BE 20d COMMON, EXCEPT AS NOTED.  
• = NAILS DRIVEN FROM THE NEAR SIDE OF THE TRUSS, AND  
○ = NAILS DRIVEN FROM FAR SIDE FOR LEFT END OF TRUSS, AS DETAILED. NOTE THAT NAILING PATTERNS ARE REVERSED FOR RIGHT END OF TRUSS.  
ALL PROJECTING NAILS TO BE CLINCHED.



CUTTING DIAGRAM FOR GUSSETS

COOPERATIVE EXTENSION WORK IN AGRICULTURE AND HOME ECONOMICS  
STATE OF MISSISSIPPI  
MISSISSIPPI STATE UNIVERSITY  
AND  
UNITED STATES DEPARTMENT OF AGRICULTURE COOPERATING

**FINISHING PARLOR FOR HOGS  
SLATTED FLOOR OVER LAGOON**

ALA.	'74	6178	SHEET 5 OF 5
------	-----	------	--------------