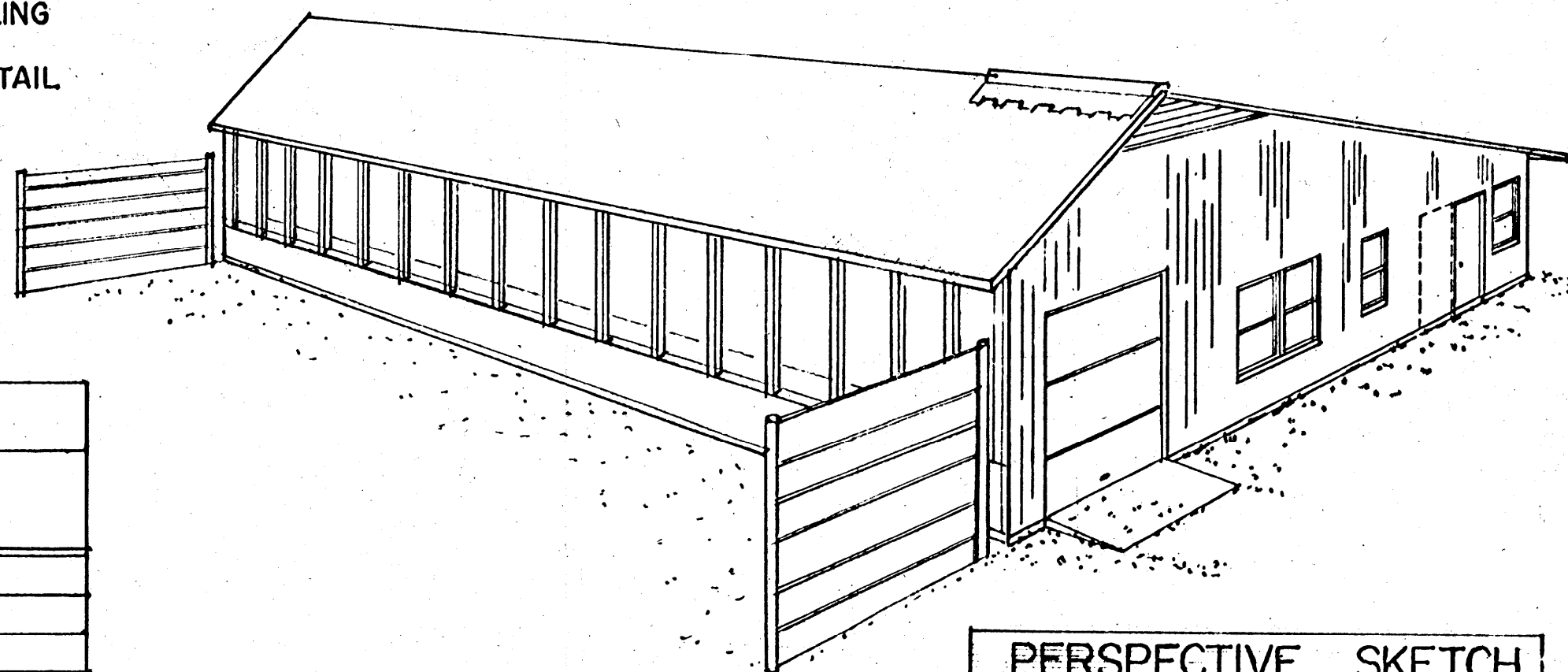


NOTE: 3. PLAN FOR MANURE HANDLING FROM THIS AREA
SEE PLAN #5977 for MANURE LIP DETAIL
SEE NORTHEAST DAIRY PRACTICES COUNCIL GUIDELINES
BULLETIN # 2
HANDLING MANURE AS A LIQUID
BULLETIN # 5
HANDLING DAIRY MANURE AS A SOLID



NOTE:
CONSULT LOCAL HEALTH AND BUILDING CODE AUTHORITIES BEFORE STARTING CONSTRUCTION.

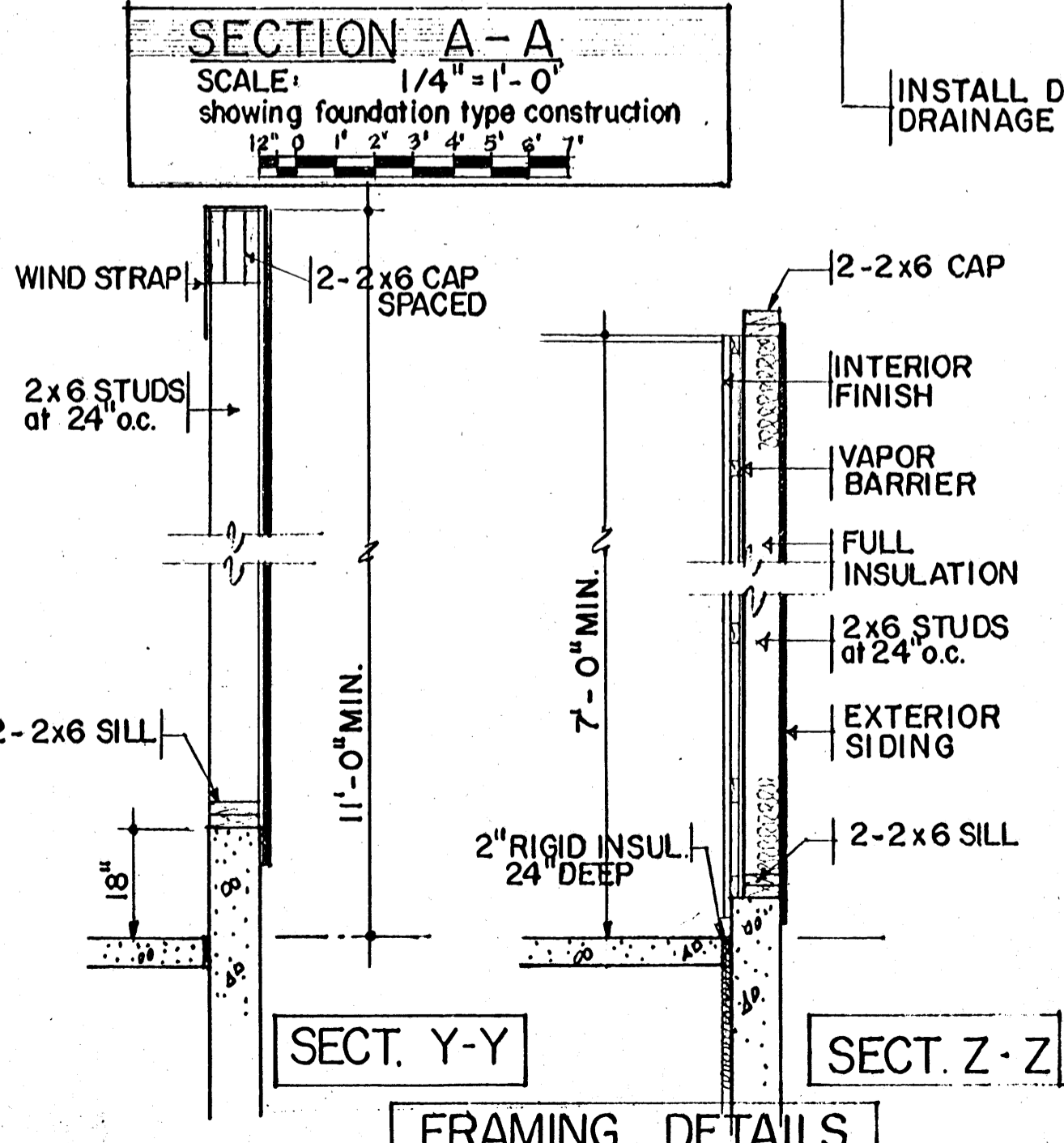
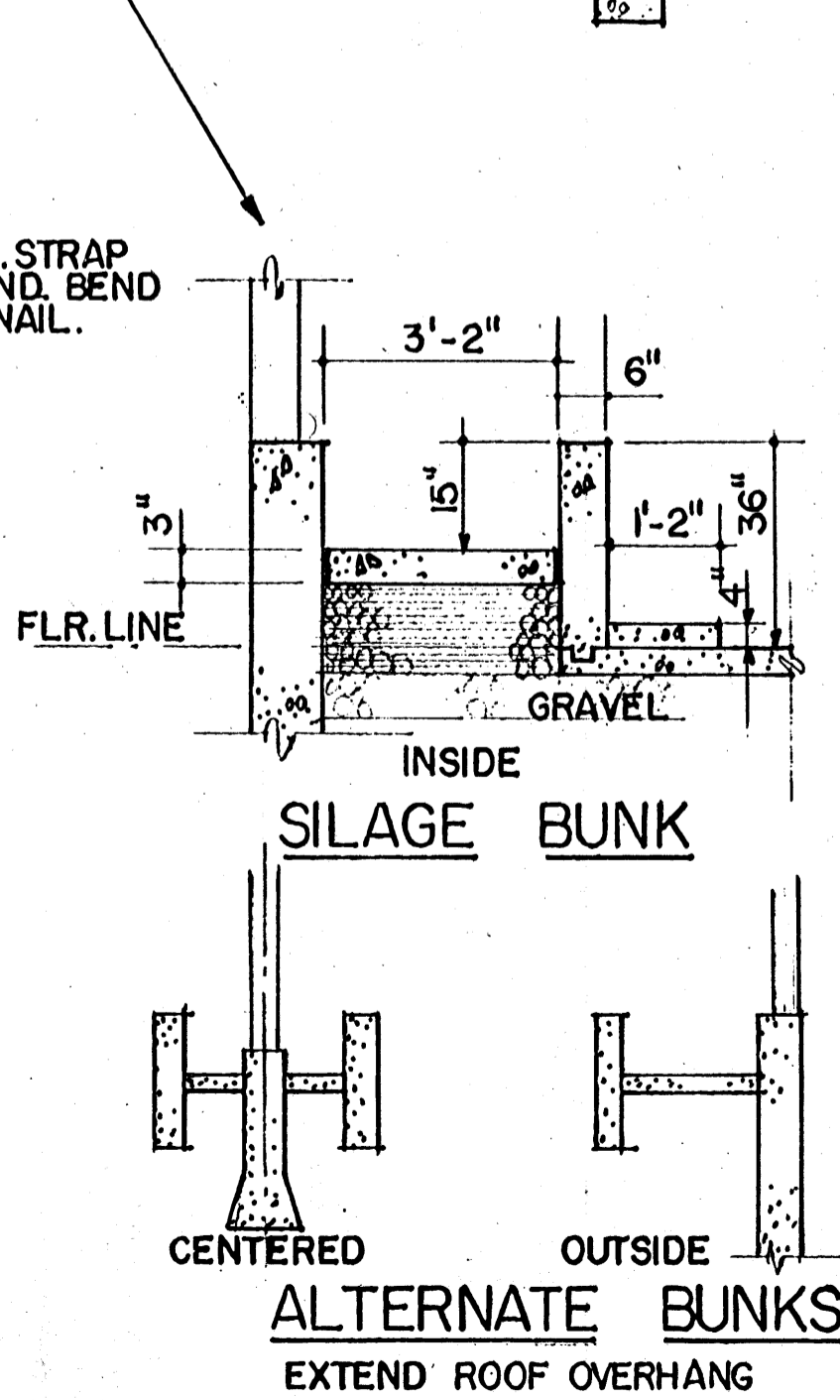
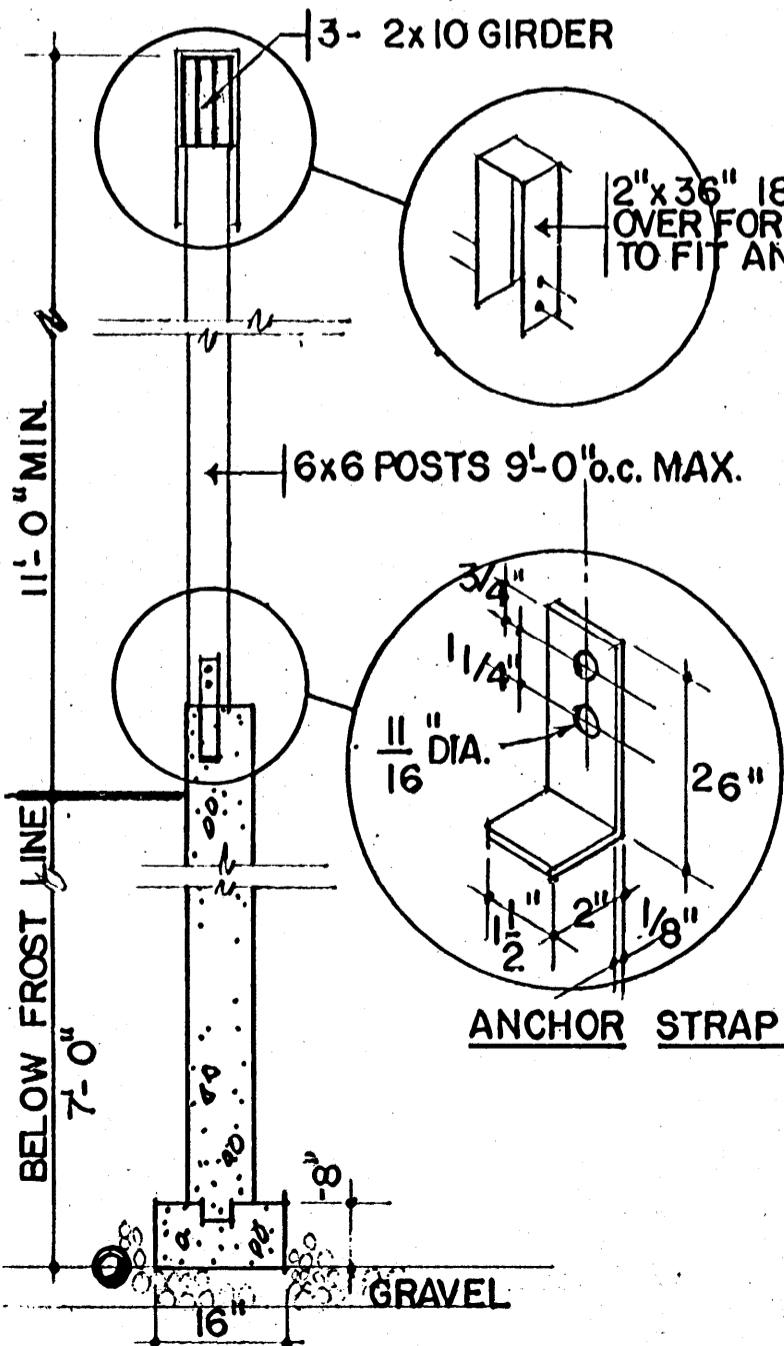
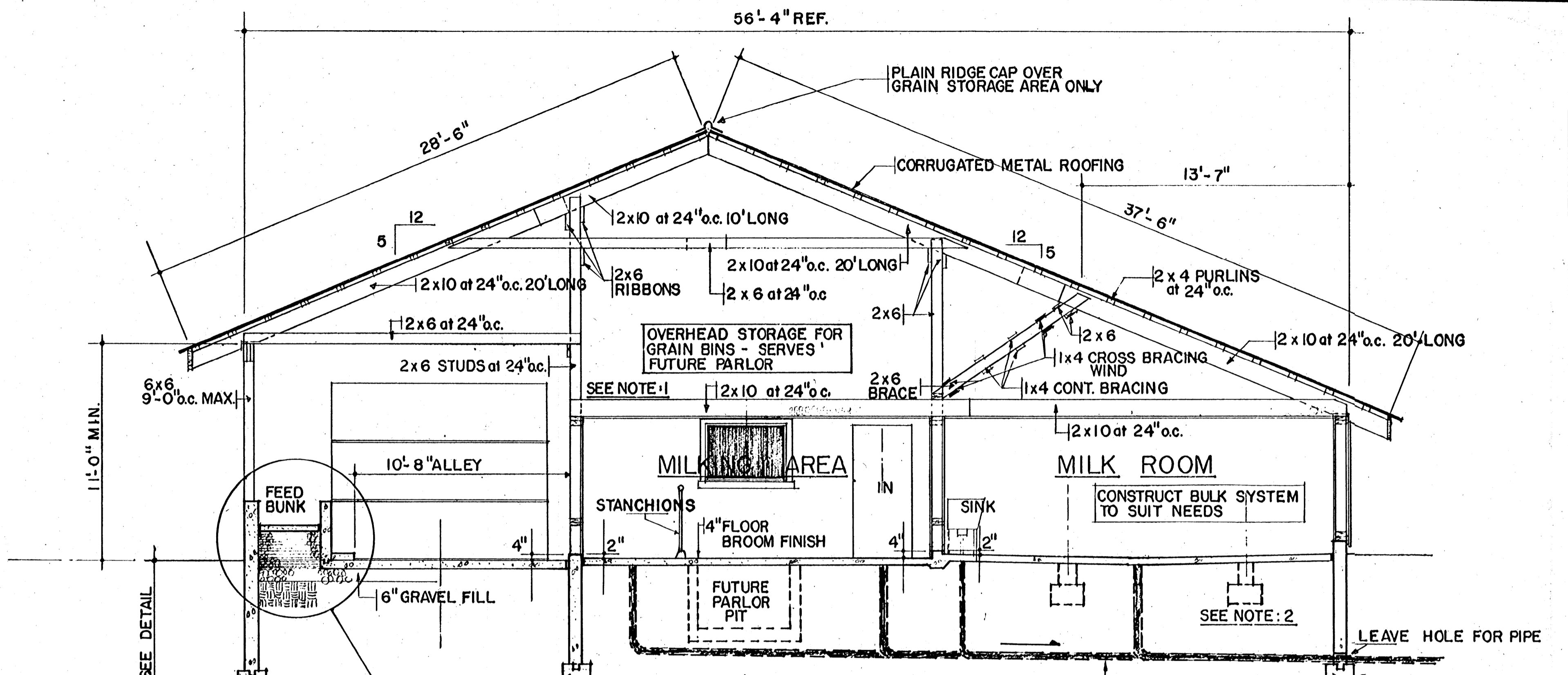
BASED ON: UNIV. OF MAINE PLAN 37301

LENGTH OF BARN	NUMBER OF FREE STALLS	
	WITH 45' HAY FEEDER	WITHOUT FEEDER
127'-6"	48 as shown	60
131'-3"	51	63
135'-0"	54	66
138'-9"	57	69
143'-6"	60	72
147'-3"	63	75
150'-0"	66	78

COOPERATIVE EXTENSION WORK IN AGRICULTURE AND HOME ECONOMICS
STATE OF MISSISSIPPI
MISSISSIPPI STATE UNIVERSITY
AND
UNITED STATES DEPARTMENT OF AGRICULTURE COOPERATING

**DAIRY BARN
ECONOMICAL FREESTALL**

MAINE '75	6196	SHEET 1 OF 3
-----------	------	--------------



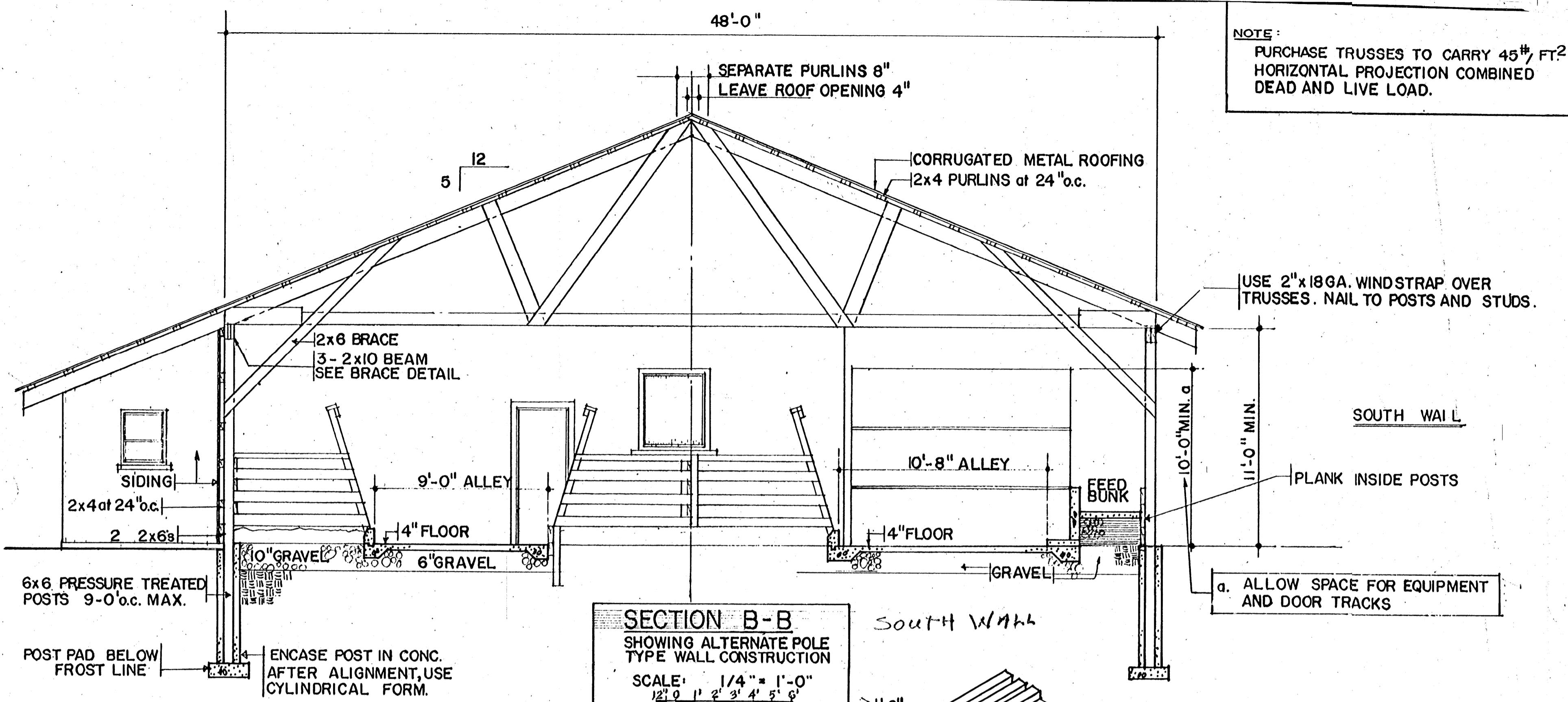
SECTION A-A
 SCALE: 1/4" = 1'-0"
 showing foundation type construction
 12' 0" 1' 2' 3' 4' 5' 6' 7'

- NOTE: 1. ADD EXTRA JOISTS BEFORE INSTALLING GRAIN BINS
 2. SEE BULLETIN # 6 AS REF ON SHEET 1 FOR LOCATION FOR TANK SUPPORT FOUNDATIONS

COOPERATIVE EXTENSION WORK IN
 AGRICULTURE AND HOME ECONOMICS
 STATE OF MISSISSIPPI
 MISSISSIPPI STATE UNIVERSITY
 AND
 UNITED STATES DEPARTMENT OF AGRICULTURE COOPERATING

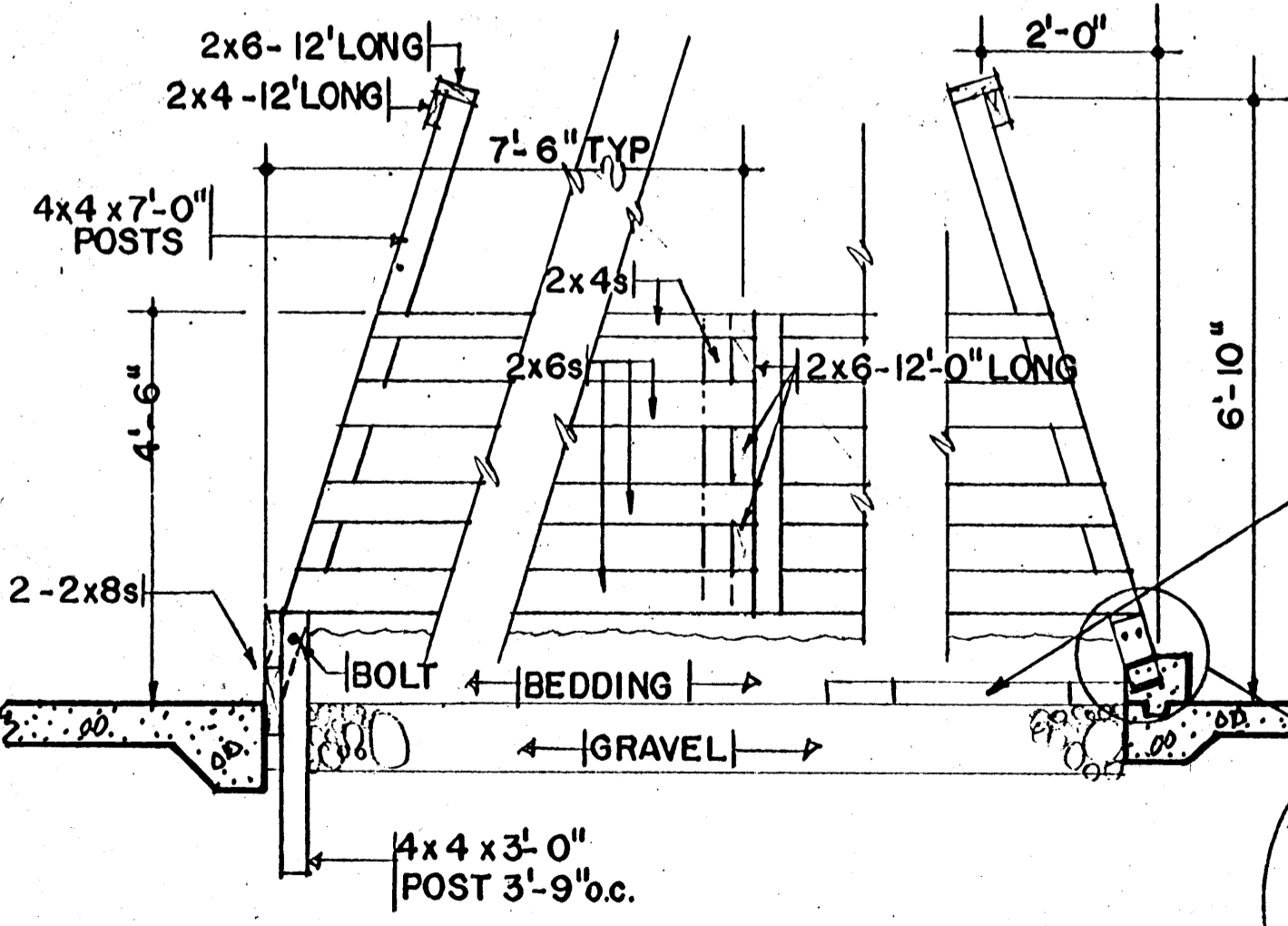
**DAIRY BARN
 ECONOMICAL FREESTALL**

MAINE '75	6196	SHEET 2 OF 3
-----------	------	--------------

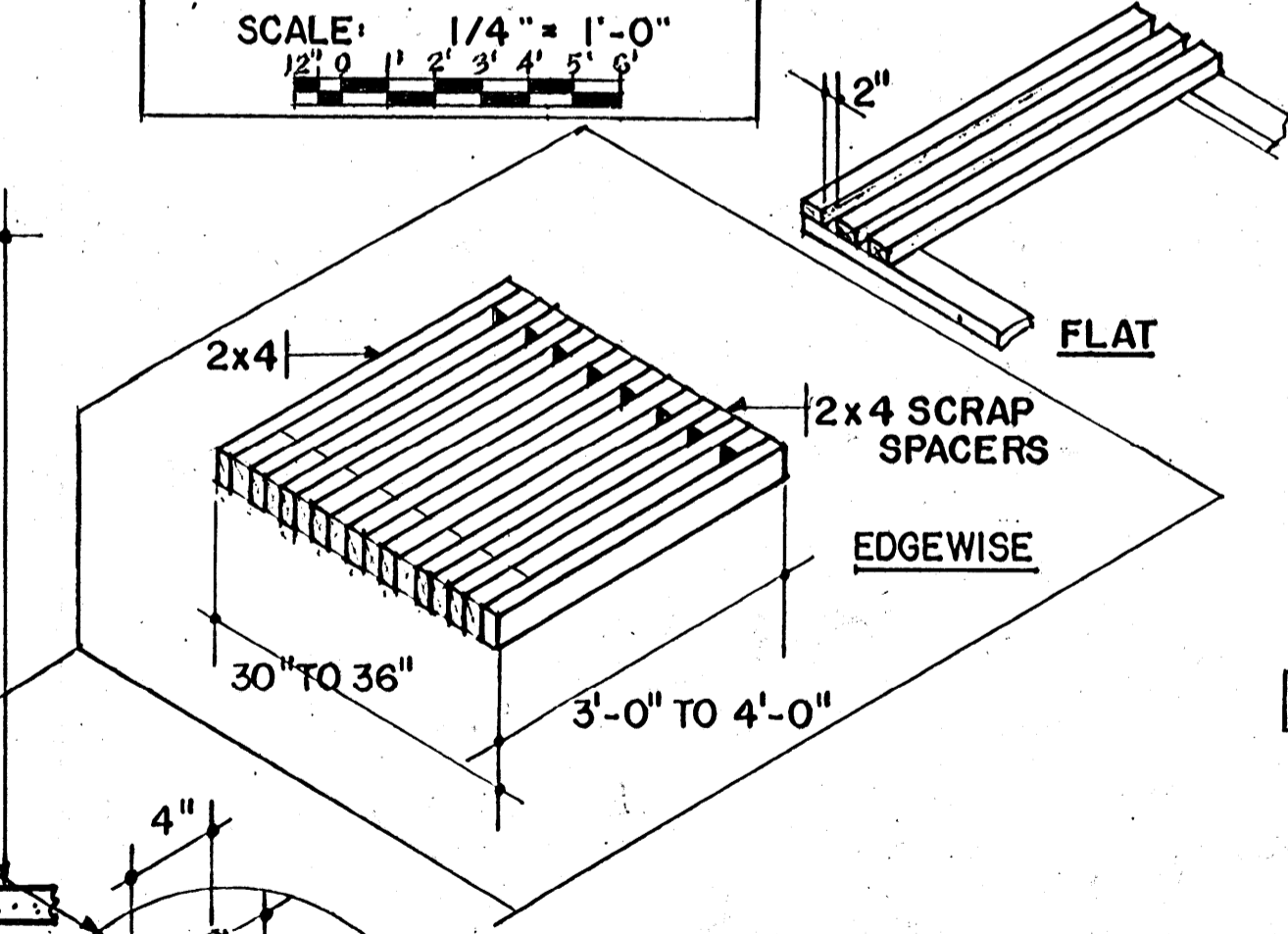


NOTE:
PURCHASE TRUSSES TO CARRY 45[#]/FT²
HORIZONTAL PROJECTION COMBINED
DEAD AND LIVE LOAD.

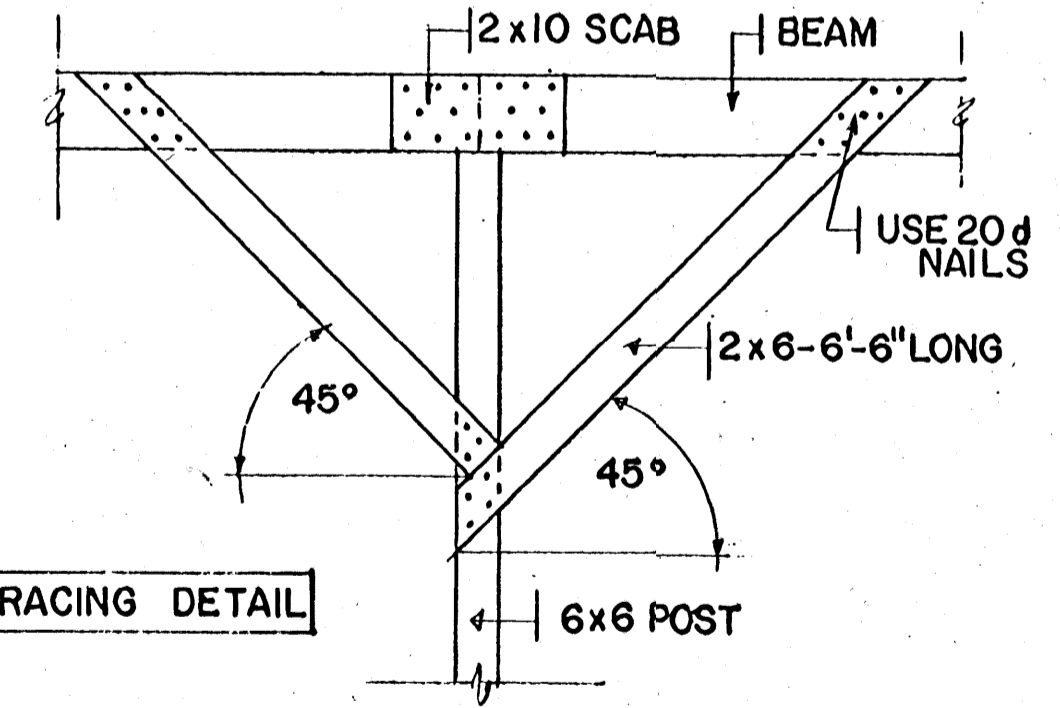
SECTION B-B
SHOWING ALTERNATE POLE
TYPE WALL CONSTRUCTION
SCALE: 1/4" = 1'-0"
12' 0" 1' 2' 3' 4' 5' 6'



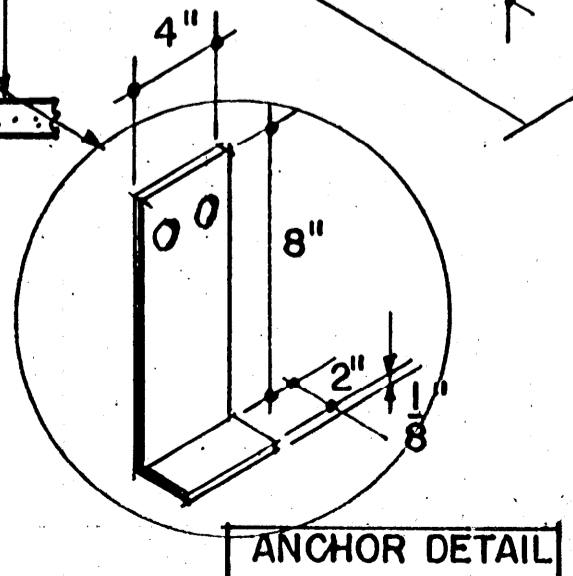
FREESTALL DETAILS
SCALE: 1/2" = 1'-0"
12' 6" 0" 1'



BEDDING RETAINER GRIDS



BRACING DETAIL



ANCHOR DETAIL

COOPERATIVE EXTENSION WORK IN
AGRICULTURE AND HOME ECONOMICS
STATE OF MISSISSIPPI
MISSISSIPPI STATE UNIVERSITY
AND
UNITED STATES DEPARTMENT OF AGRICULTURE COOPERATING
**DAIRY BARN
ECONOMICAL FREESTALL**
MAINE '75 6196 SHEET 3 OF 3