

NOTES:
 SLOPE ALL GUTTERS
 TOWARD DRAINS.
 FARROWING CRATES 5'-0" X 9'-0"
 V.D. = 4X8' VENTILATING DOOR EXCEPT
 AS OTHERWISE NOTED.

FLOOR PLAN

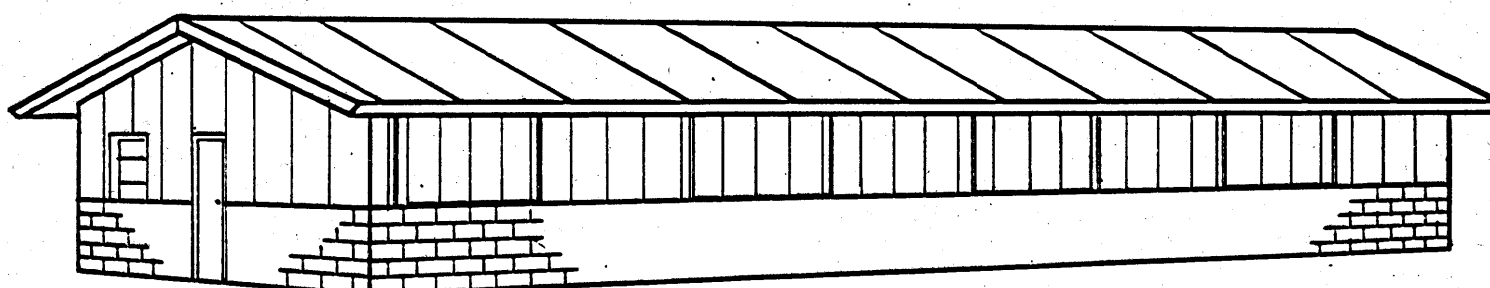
SCALE: 1/4" = 1'-0"
 12' 0" 1' 2' 3' 4' 5'

ELECTRICAL LEGEND

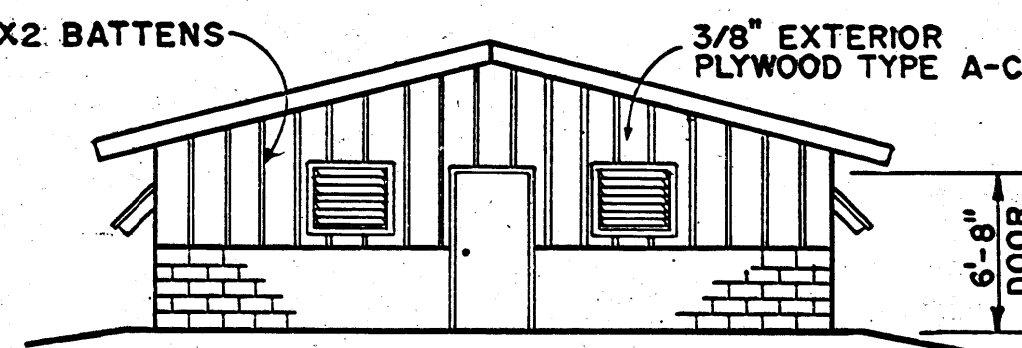
- ⊕ DUPLEX CONVENIENCE OUTLET. CEILING MOUNTED OR STUBBED FROM FLOOR 2' HIGH. (FOR HEAT LAMPS.)
 - ⊙ CEILING FIXTURE PORCELAIN KEYLESS. 100W. MINIMUM-200W. MAXIMUM.
 - WALL MOUNTED FIXTURE. 14" MIN. DIA. REFLECTOR.
 - ▽ SPECIAL PURPOSE OUTLET.
 - S₃ THREWAY WALL SWITCH.
 - S SINGLE POLE WALL SWITCH.
- ALL WIRING SHALL CONFORM TO THE NATIONAL ELECTRIC CODE'S STANDARDS.

12' 0" 1' 2' 3' 4' 5' 6' 7' 8'

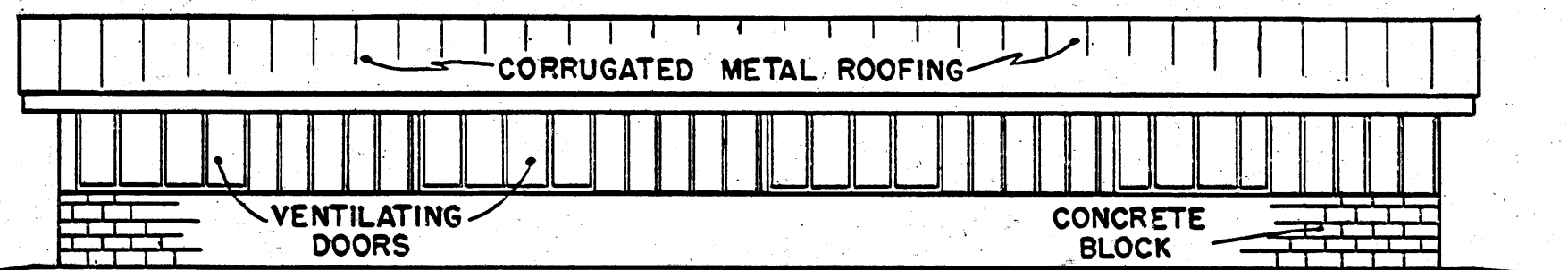
SCALE: 1/8" = 1'-0" UNLESS OTHERWISE NOTED.



PERSPECTIVE



REAR ELEVATION



SIDE ELEVATION

NOTE:
 CONSULT LOCAL HEALTH AND BUILDING CODE AUTHORITIES BEFORE STARTING CONSTRUCTION.

BASED ON: MISS. STATE UNIV. PLAN 6032-A

COOPERATIVE EXTENSION WORK IN AGRICULTURE AND HOME ECONOMICS		
STATE OF MISSISSIPPI		
MISSISSIPPI STATE UNIVERSITY		
AND		
UNITED STATES DEPARTMENT OF AGRICULTURE COOPERATING		
20 SOW FARROWING HOUSE		
EXPANDED METAL SLATTED FLOOR		
MISS. '75	6201	SHEET 1 OF 3

NOTES:

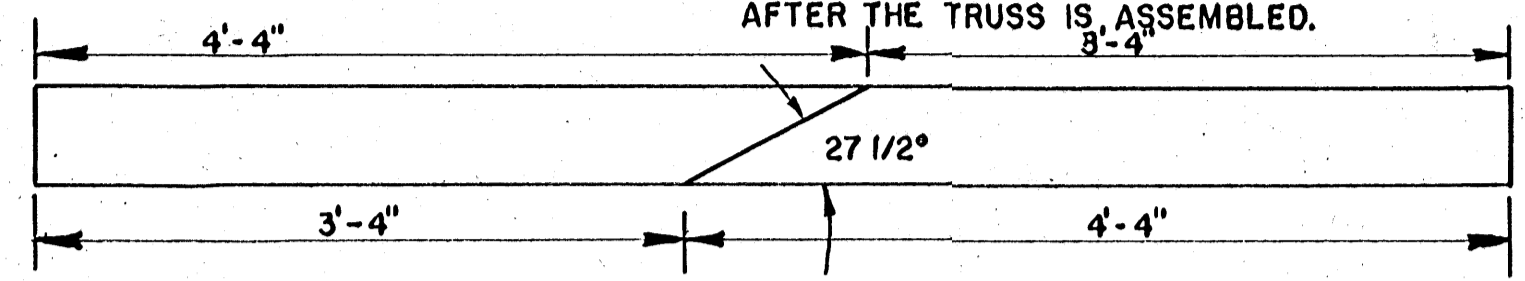
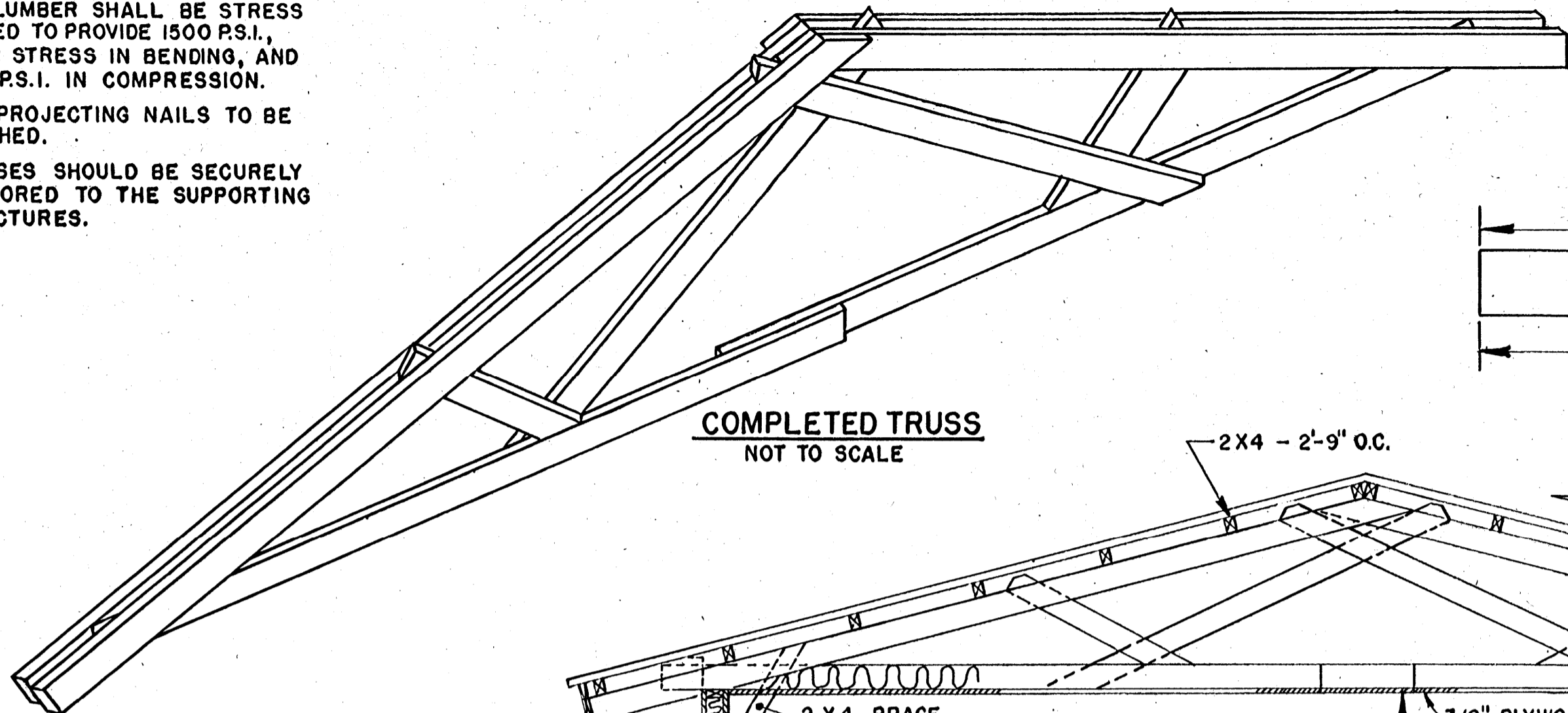
ALL LUMBER SHALL BE STRESS GRADED TO PROVIDE 1500 P.S.I., FIBER STRESS IN BENDING, AND 1350 P.S.I. IN COMPRESSION.

ALL PROJECTING NAILS TO BE CLINCHED.

TRUSSES SHOULD BE SECURELY ANCHORED TO THE SUPPORTING STRUCTURES.

NOTE:

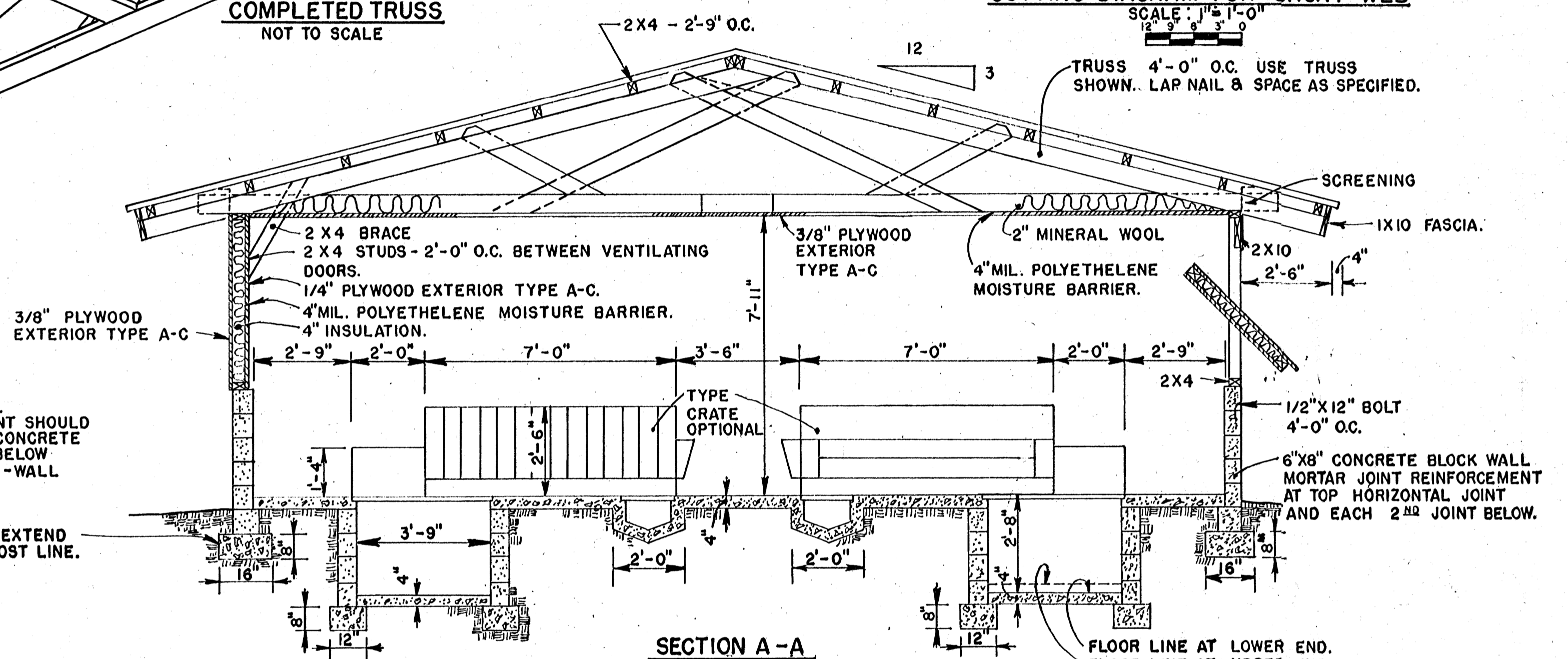
CHECK ANGLE ON THE JOB. ALL OTHER CUTS ARE MADE AFTER THE TRUSS IS ASSEMBLED.



CUTTING DIAGRAM FOR SHORT WEB

SCALE: 1/2" = 1'-0"
12 9 6 3 0

TRUSS 4'-0" O.C. USE TRUSS SHOWN. LAP NAIL & SPACE AS SPECIFIED.

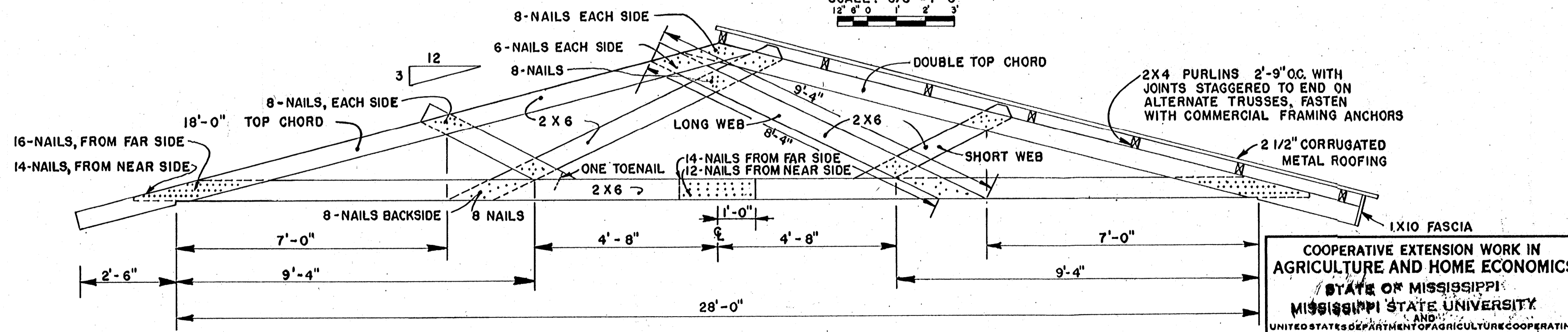


NOTE NO 1.
MORTAR JOINT REINFORCEMENT SHOULD BE USED ON CONCRETE BLOCK WALL BELOW GROUND DURO-WALL OR EQUAL.

FOOTINGS EXTEND BELOW FROST LINE.

SECTION A-A

SCALE: 3/8" = 1'-0"
12 6 0 1 2 3



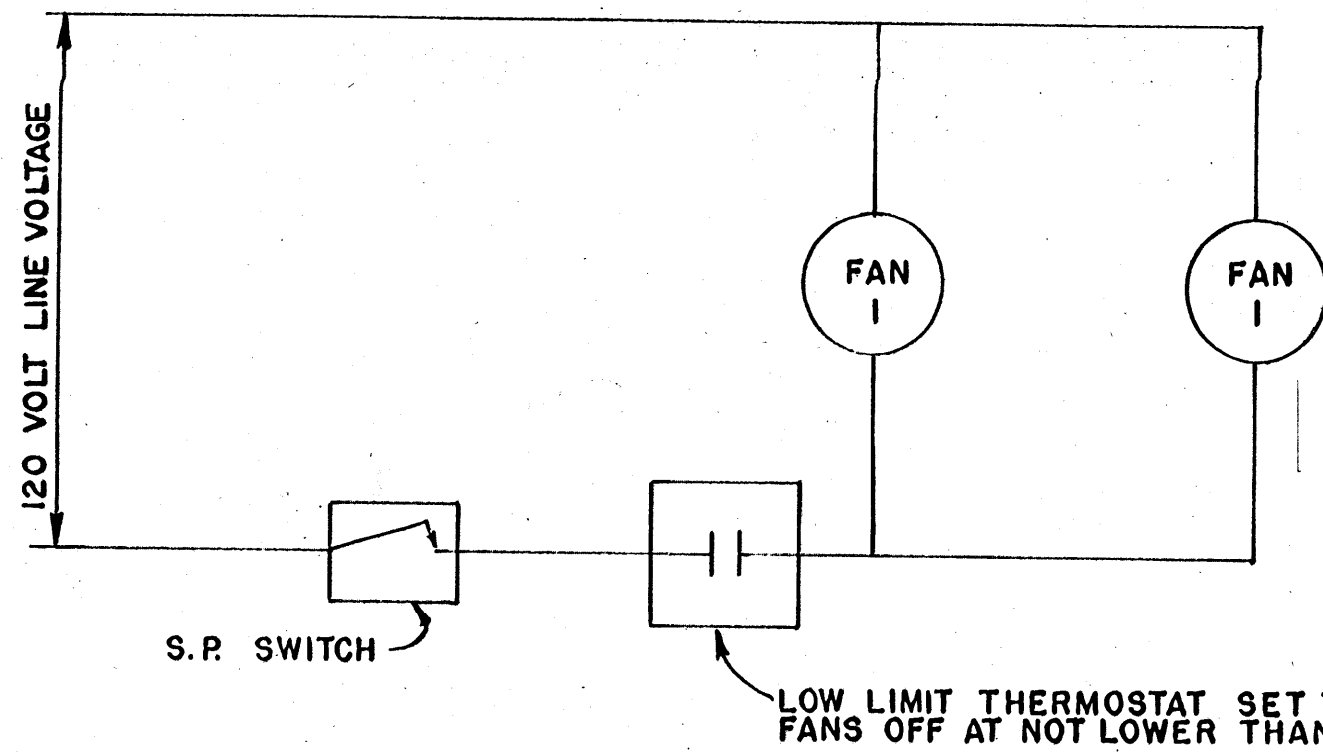
ELEVATION & JOINT DETAILS

SCALE: 1/2" = 1'-0"
12 6 0 1 2

COOPERATIVE EXTENSION WORK IN AGRICULTURE AND HOME ECONOMICS
STATE OF MISSISSIPPI
MISSISSIPPI STATE UNIVERSITY
AND
UNITED STATES DEPARTMENT OF AGRICULTURE COOPERATING

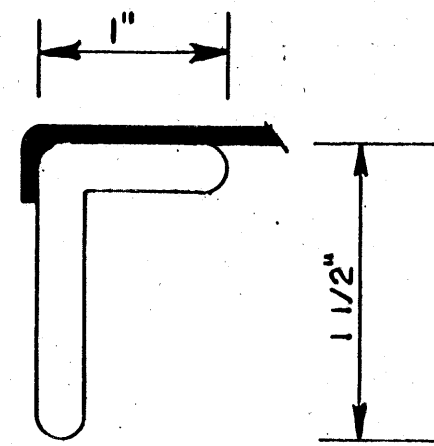
20 SOW FARROWING HOUSE
EXPANDED METAL SLATTED FLOOR

MISS. '75 6201 SHEET 2 OF 3



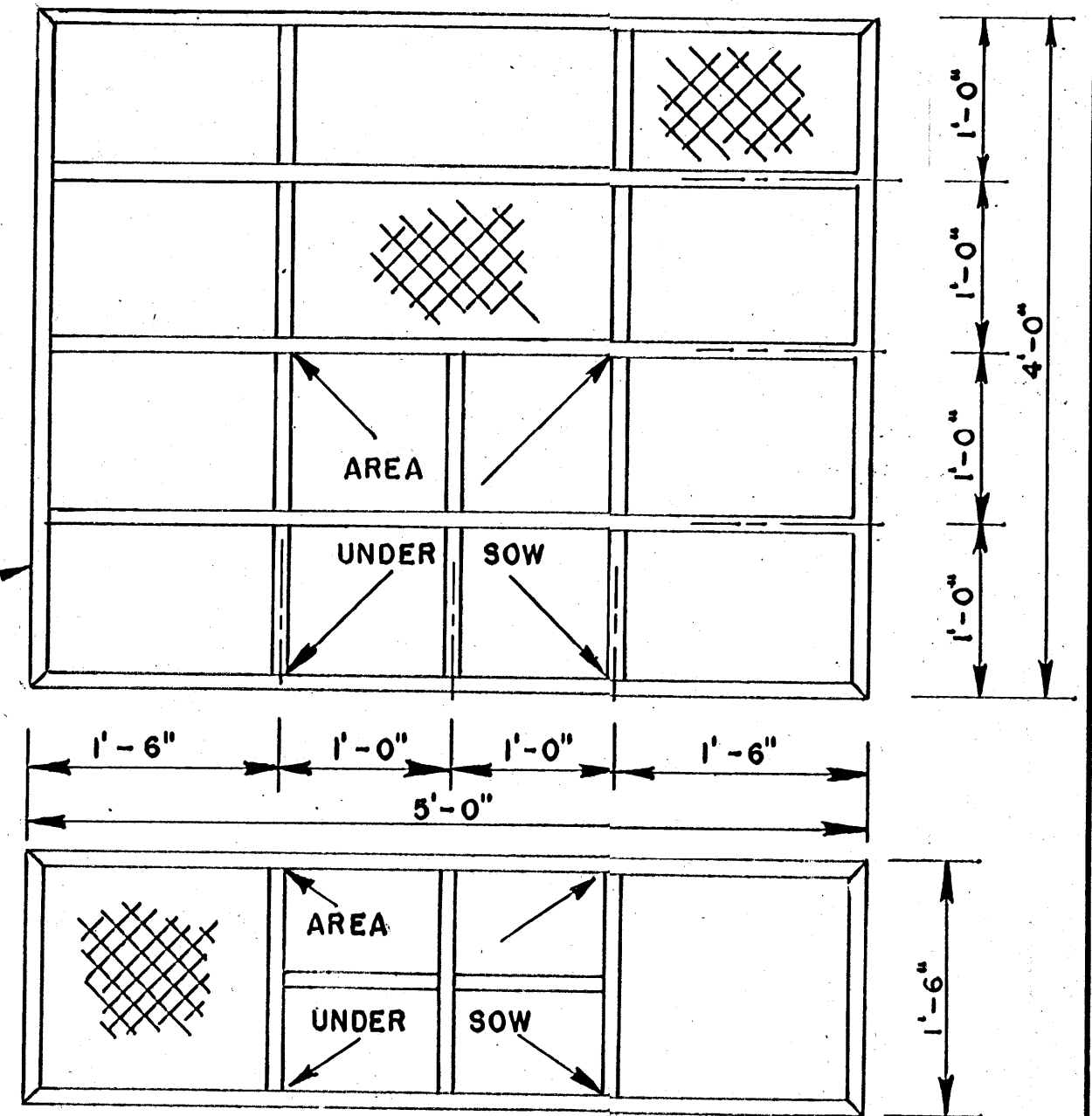
SCHMATIC DIAGRAM OF FAN N^o 1.
TWO REQUIRED FOR SUMMER VENTILATION.

FAN SPECIFICATIONS
 FAN N^o 1 - 10,000 C.F.M. @ 1/8" WATER GAGE
 STATIC PRESSURE MOTORIZED SHUTTER.
 FAN N^o 2 - 1,000 C.F.M. @ 1/8" WATER GAGE
 STATIC PRESSURE.



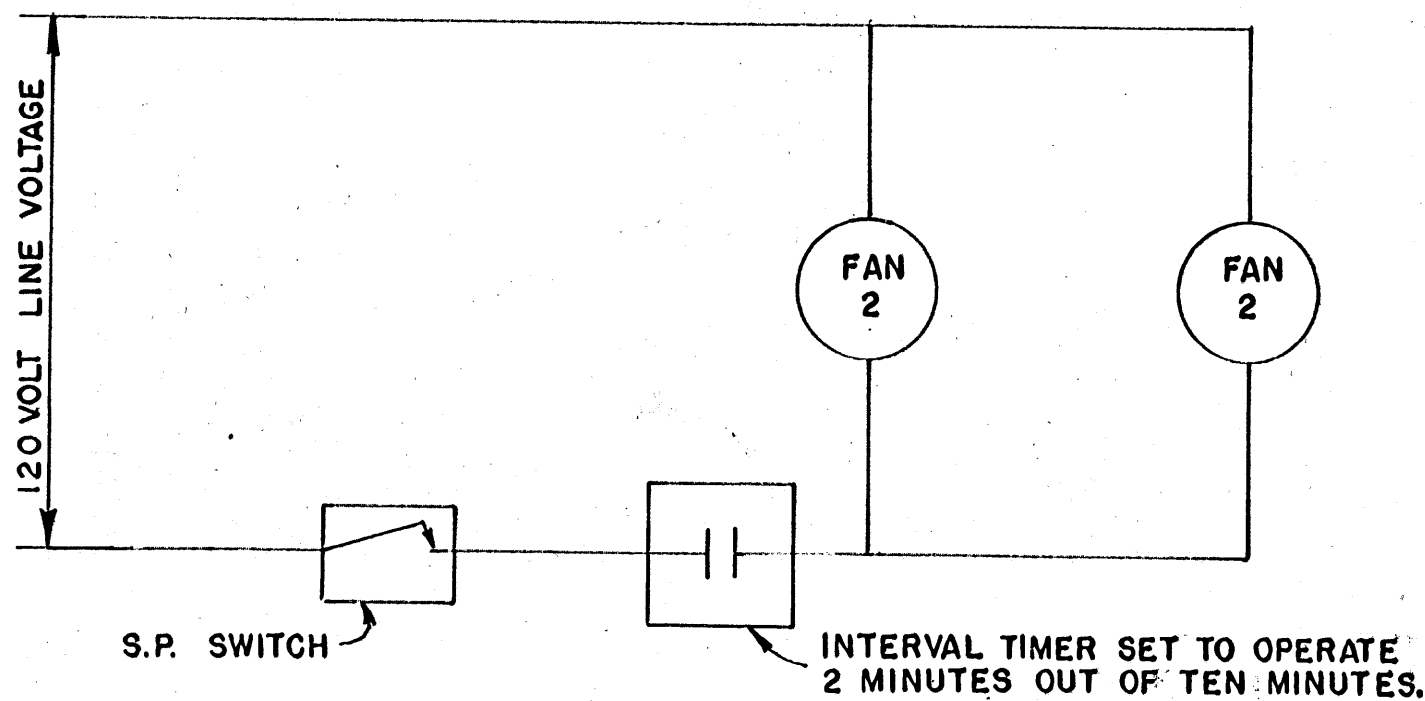
UNEQUAL ANGLE
1/4" X 1" X 1 1/2"

EXPANDED, FLATTENED METAL
 3/8" - 9" - 11 MESH SIZE 3/8" X 1 1/2" .120 THICK.

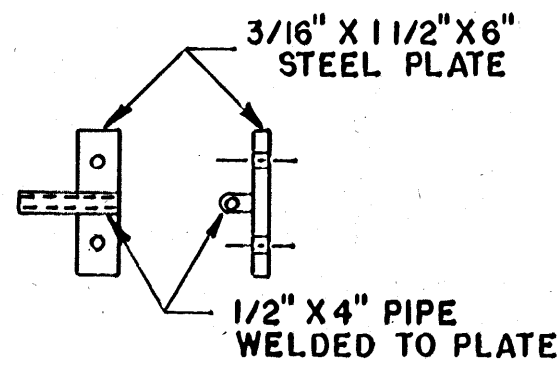


PLAN
EXPANDED METAL GRATINGS OVER PIT

SCALE: 1" = 1'-0"
 12" 9" 6" 3" 0"

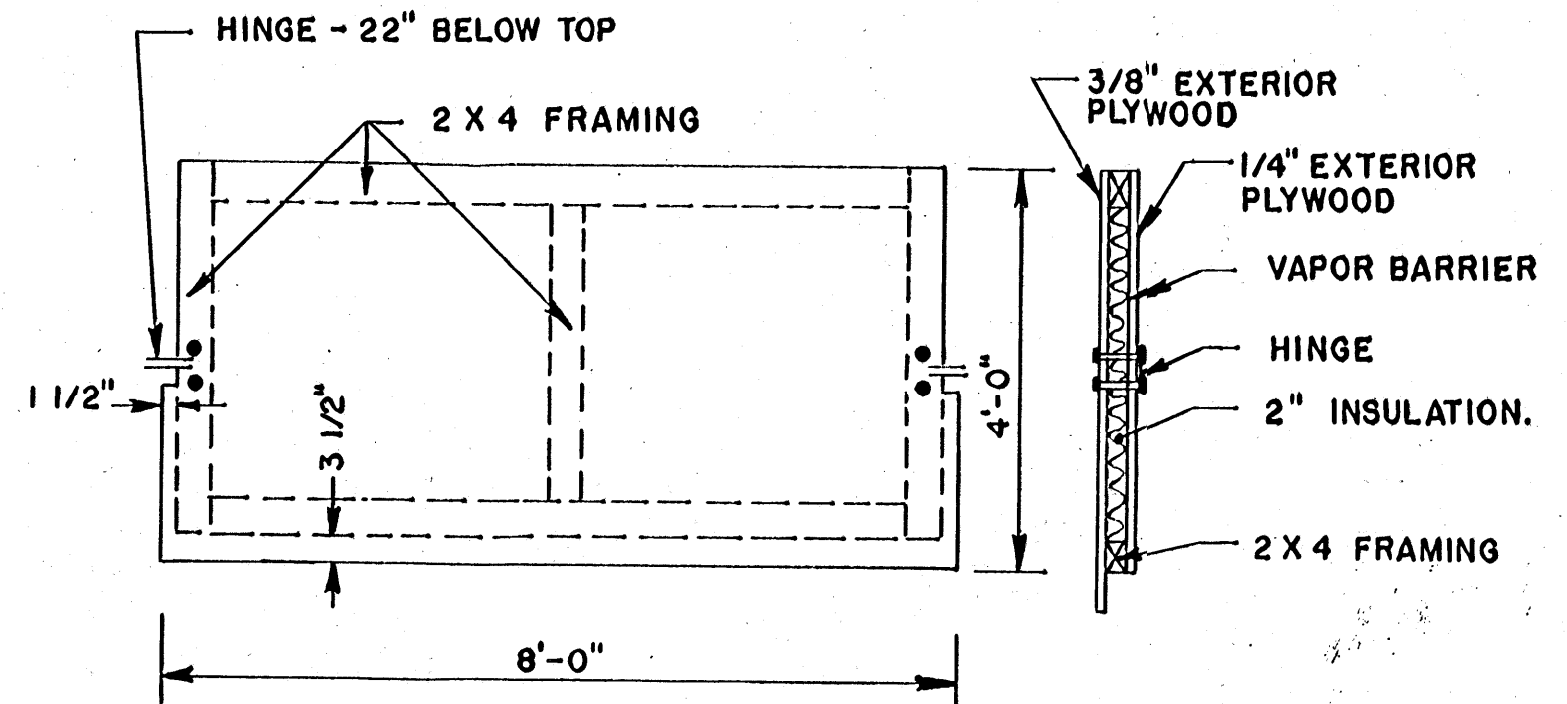


SCHMATIC DIAGRAM OF FAN N^o 2.
TWO REQUIRED FOR WINTER VENTILATION.



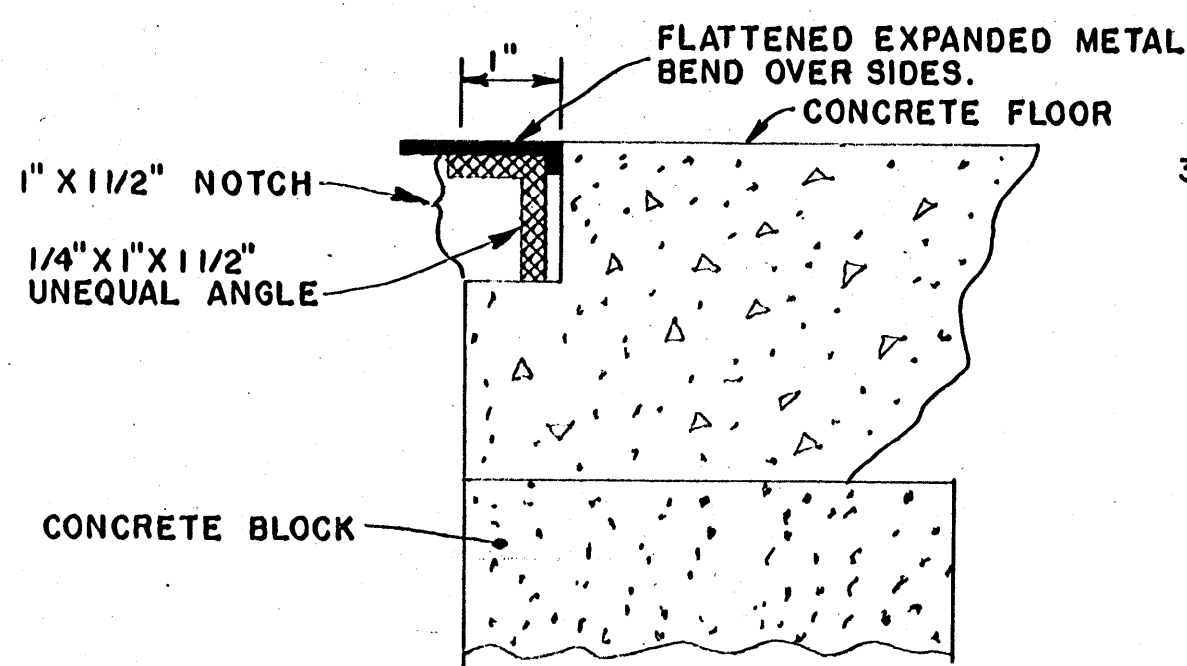
SIDE DOOR HINGE DETAIL

SCALE: 1 1/2" = 1'-0"
 12" 9" 6" 3" 0"

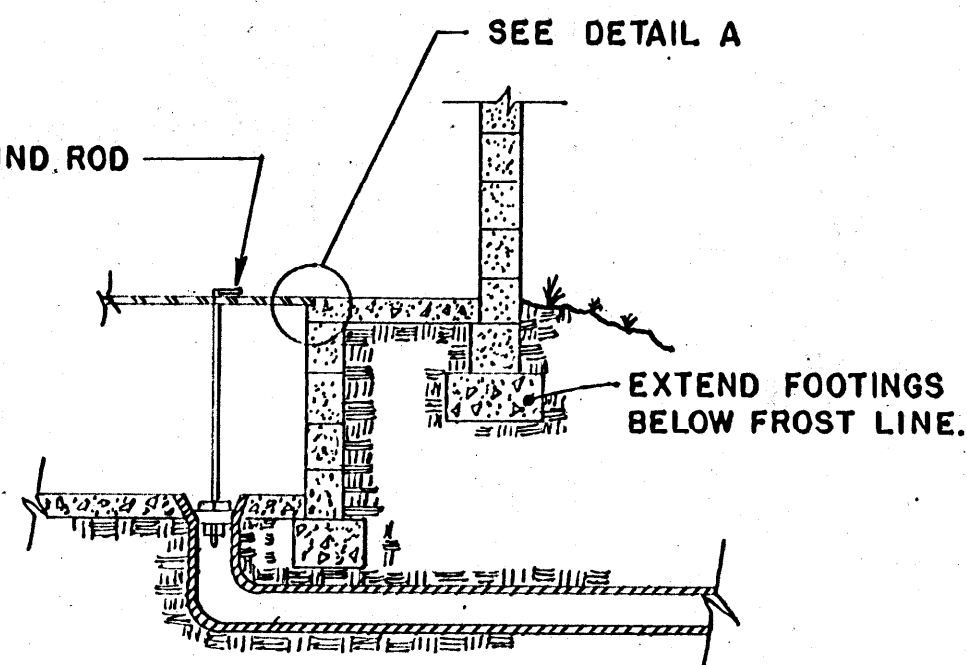


VENTILATOR DOOR DETAIL

SCALE: 1/2" = 1'-0"
 12" 6" 0" 1' 2' 3'



DETAIL "A"
JOINT OF GRATING AND CONCRETE FLOOR
NOT TO SCALE



SECTION "B-B"

SCALE: 3/8" = 1'-0"
 12" 0" 1' 2' 3'

COOPERATIVE EXTENSION WORK IN
 AGRICULTURE AND HOME ECONOMICS
 STATE OF MISSISSIPPI
 MISSISSIPPI STATE UNIVERSITY
 AND
 UNITED STATES DEPARTMENT OF AGRICULTURE COOPERATING

20 SOW FARROWING HOUSE
 EXPANDED METAL SLATTED FLOOR

MISS. '75 6201 SHEET 3 OF 3