

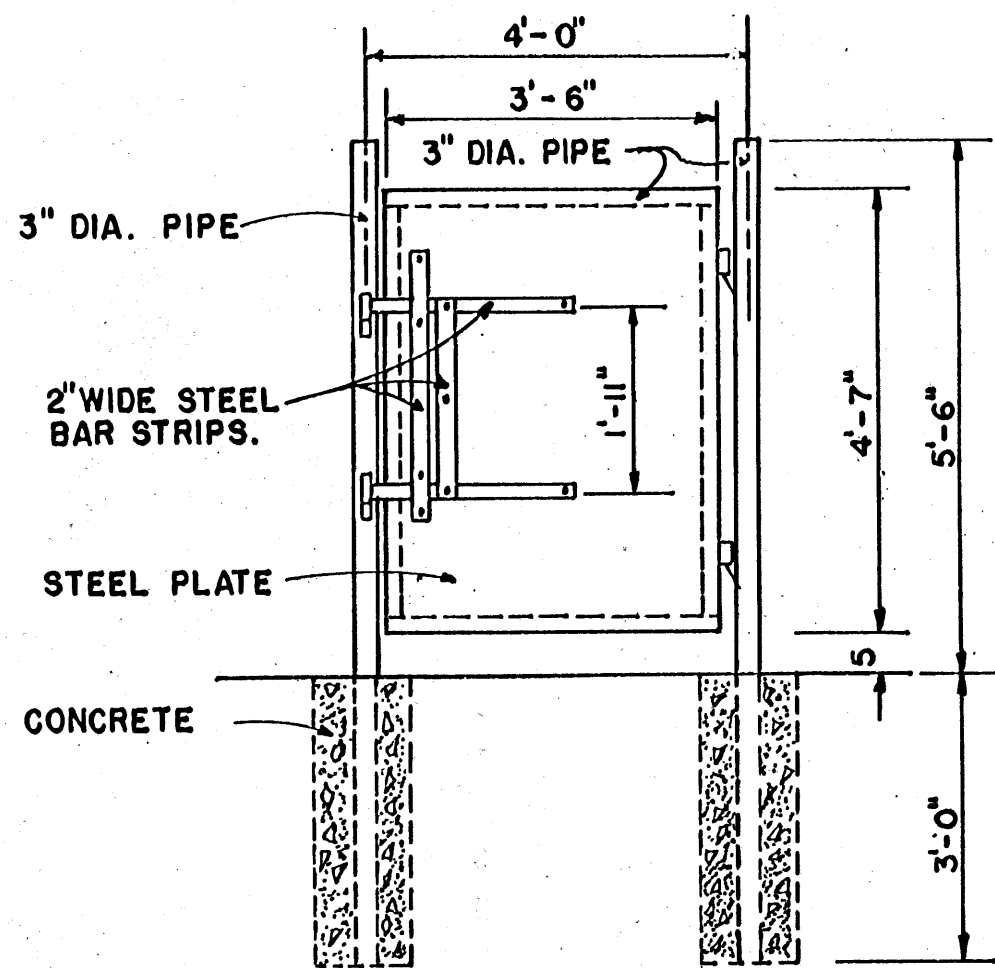
**CORRAL PLAN**

SCALE: 3/32" = 1'-0"  
 12' 0" 4' 8' 12"

COOPERATIVE EXTENSION WORK IN  
 AGRICULTURE AND HOME ECONOMICS  
 STATE OF MISSISSIPPI  
 MISSISSIPPI STATE UNIVERSITY.  
 AND  
 UNITED STATES DEPARTMENT OF AGRICULTURE COOPERATING

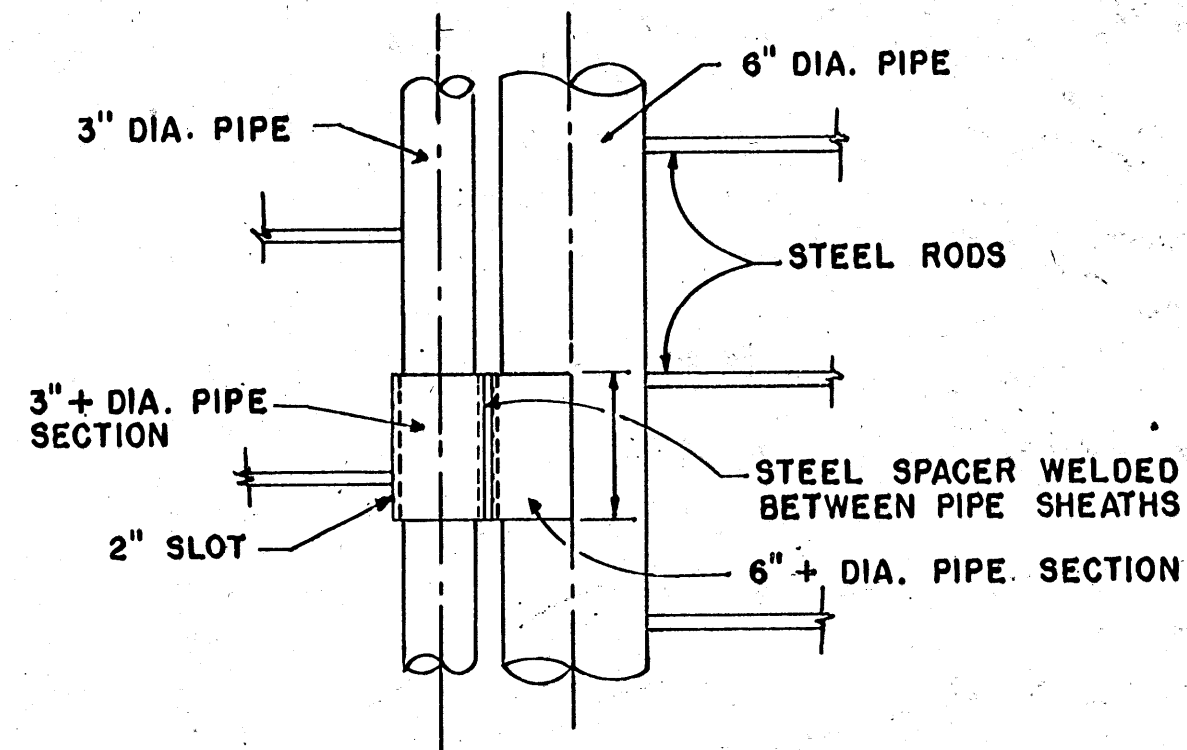
**CORRAL LAYOUT**  
 TEX '75 6205 SHEET 1 OF 2

BASED ON TEXAS A & M UNIV. PLAN NO. 554

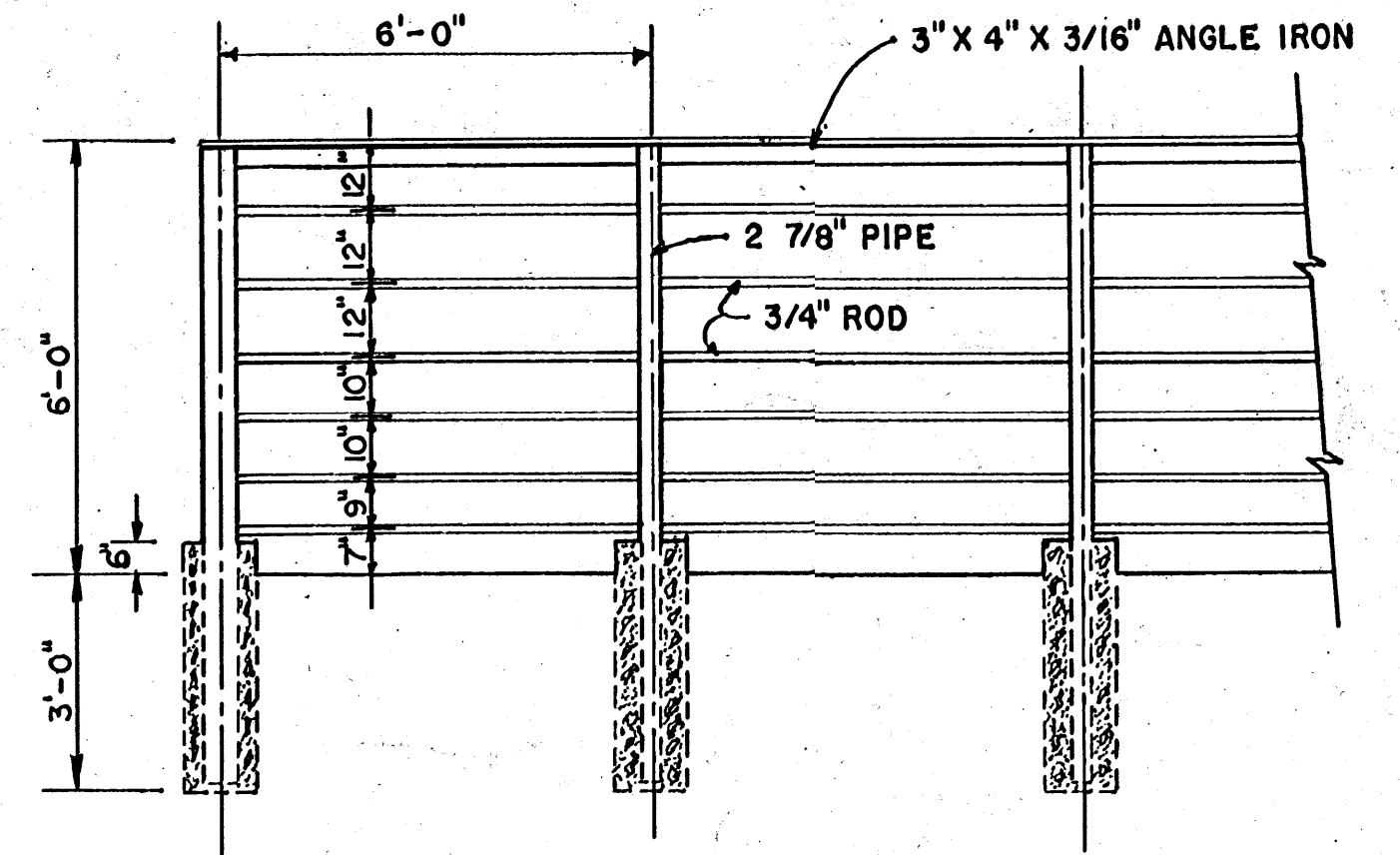


**GATE DETAIL**

SCALE: 1/2" = 1'-0"

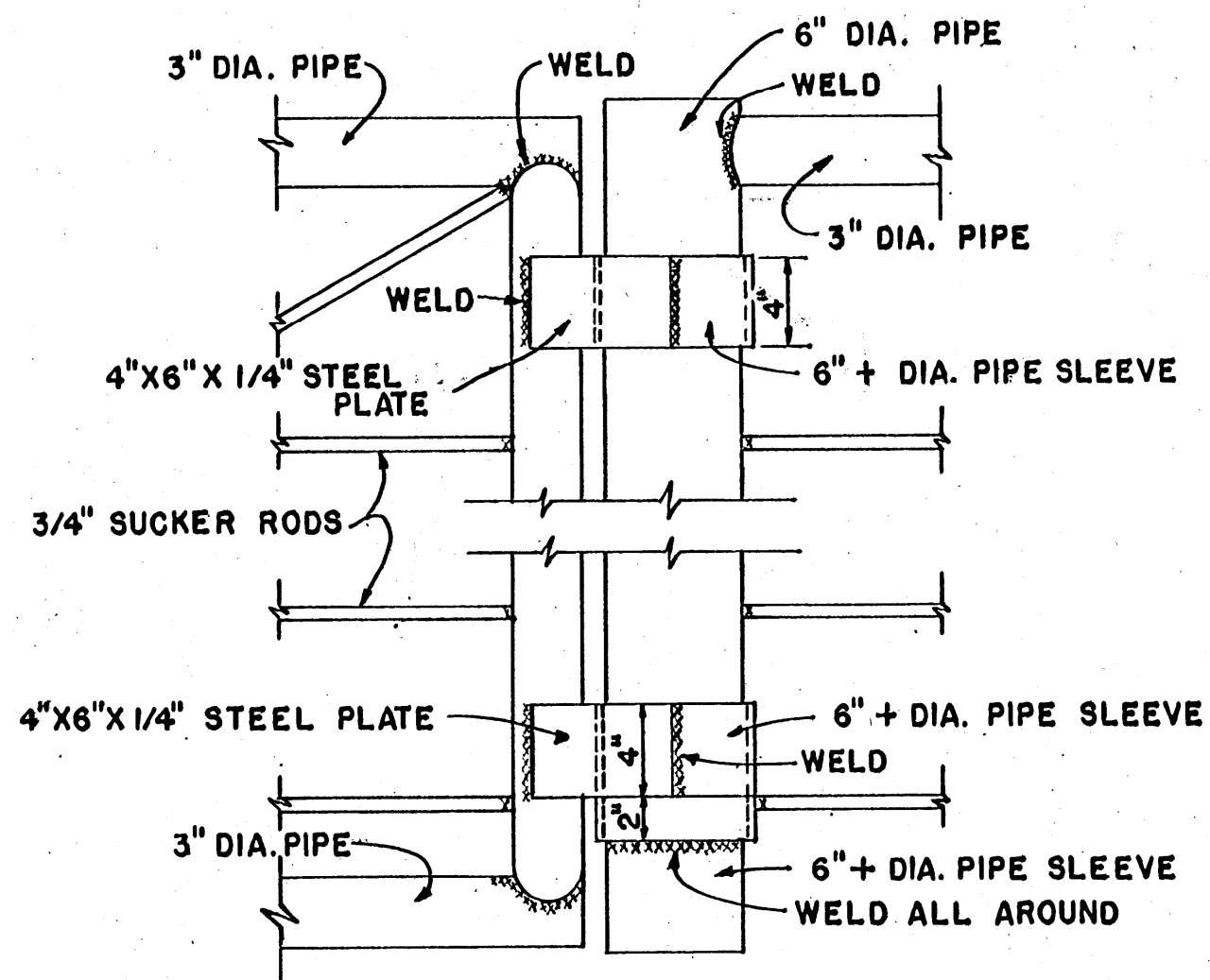


**GATE LATCH DETAILS**

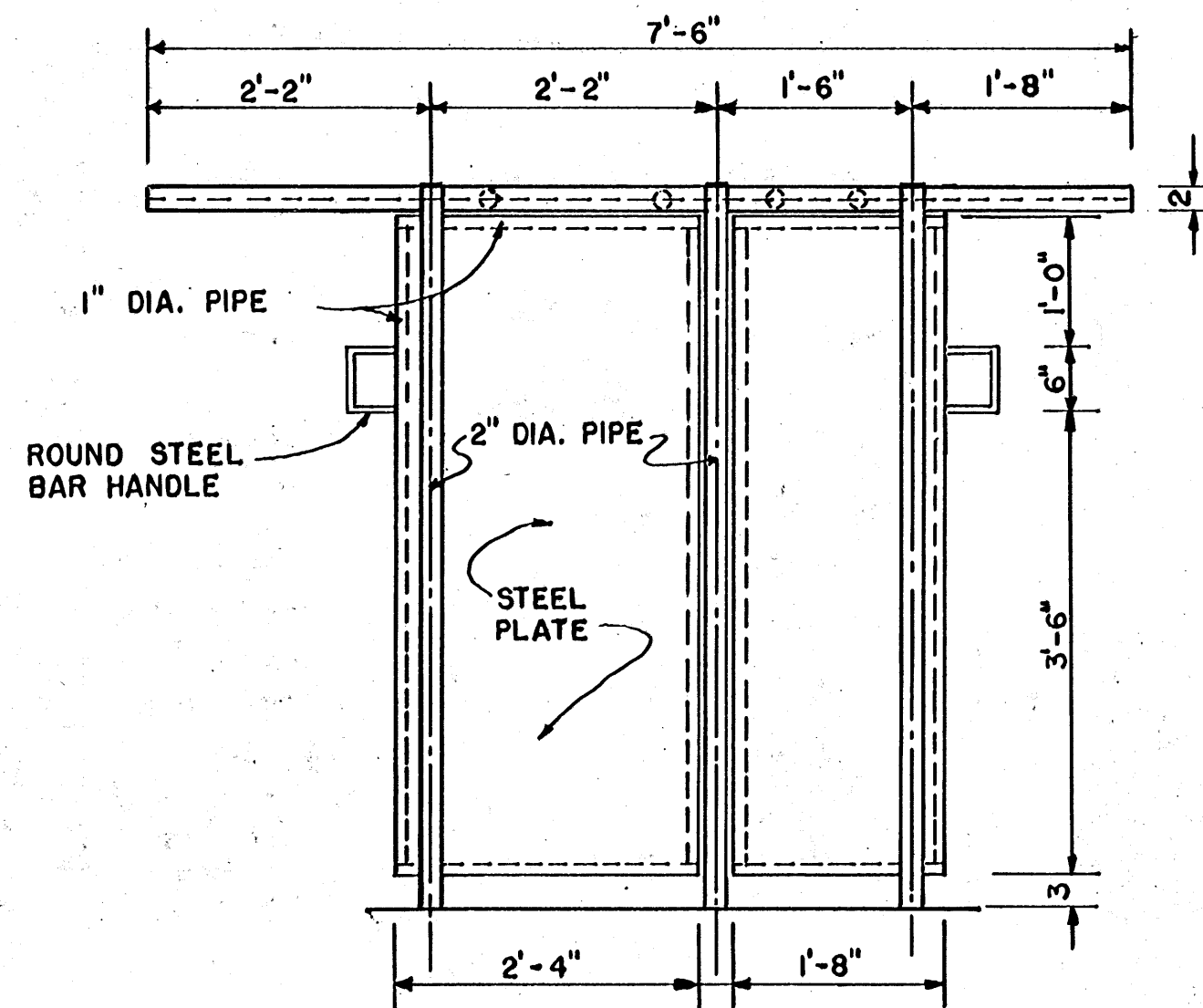


**TYPICAL FENCE**

SCALE: 3/8" = 1'-0"

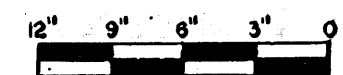


**GATE HINGE DETAILS**



**SLIDING DOOR DETAILS**

SCALE: 3/4" = 1'-0"



SCALE: 1 1/2" = 1'-0" UNLESS OTHERWISE NOTED

COOPERATIVE EXTENSION WORK IN  
 AGRICULTURE AND HOME ECONOMICS  
 STATE OF MISSISSIPPI  
 MISSISSIPPI STATE UNIVERSITY  
 AND  
 UNITED STATES DEPARTMENT OF AGRICULTURE COOPERATING

**CORRAL LAYOUT**

TEX. '75 6205 SHEET 2 OF 2