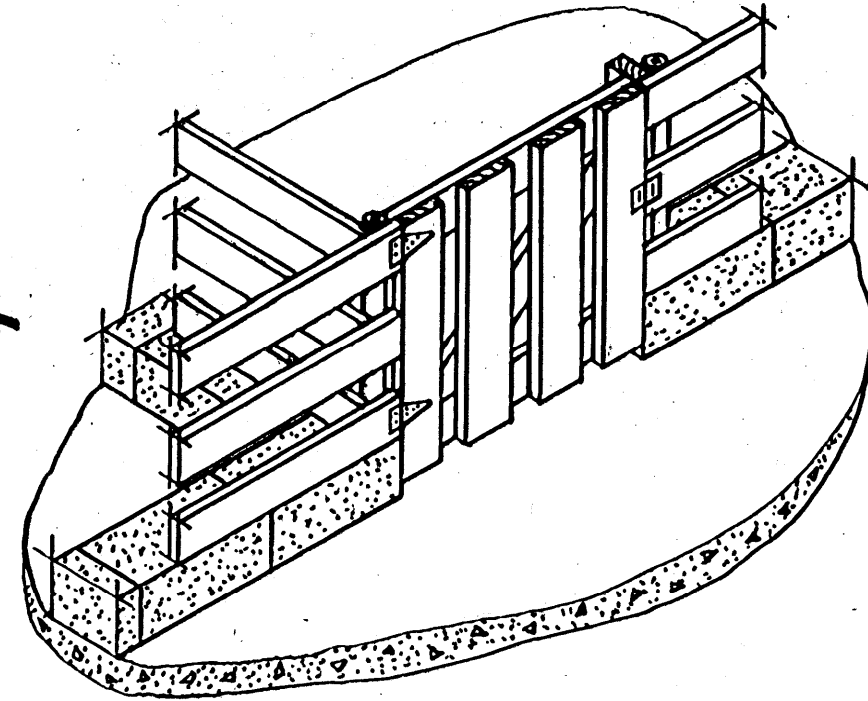
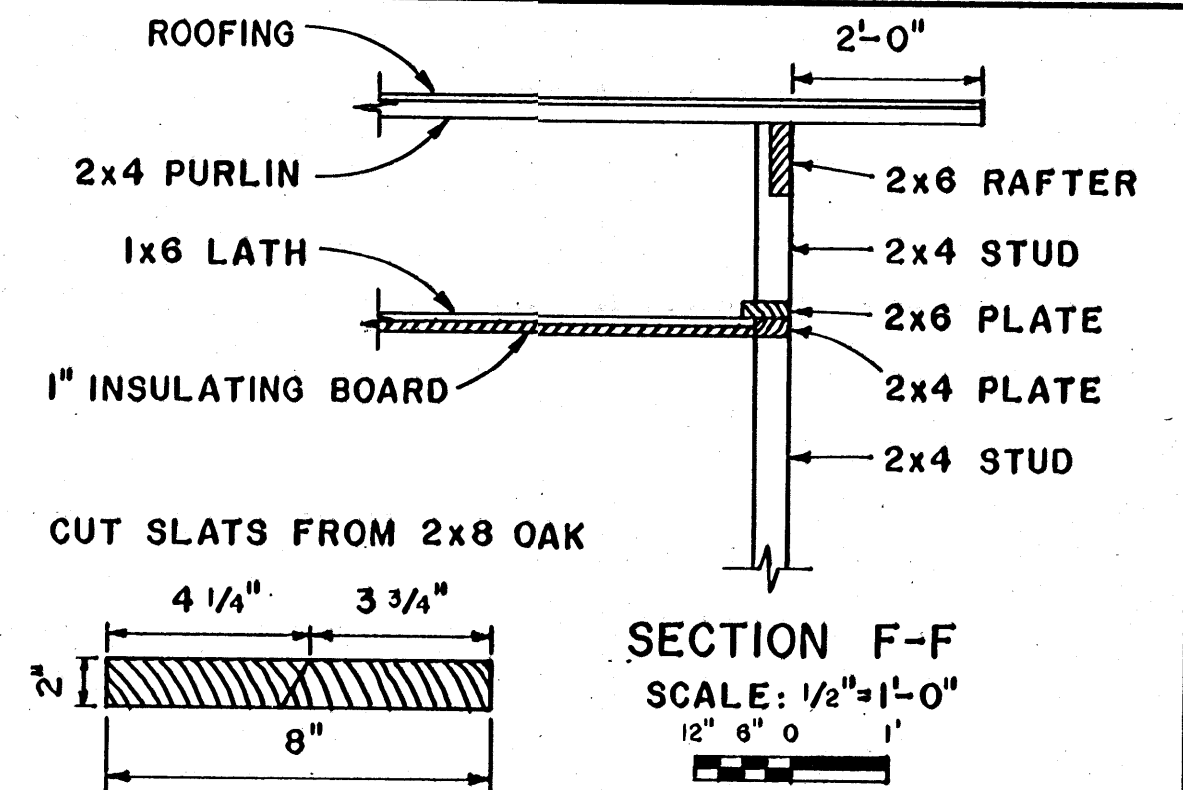


FRONT ELEVATION



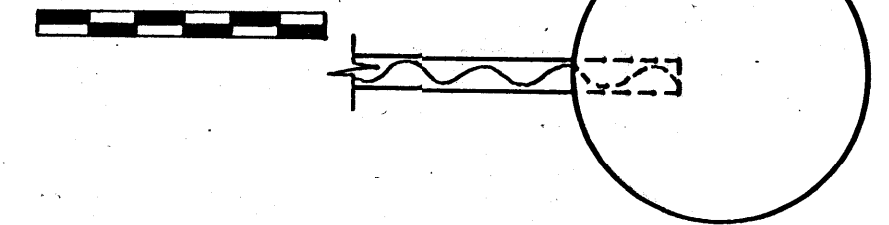
GATE & PARTITION WALL DETAIL



SLAT DETAIL

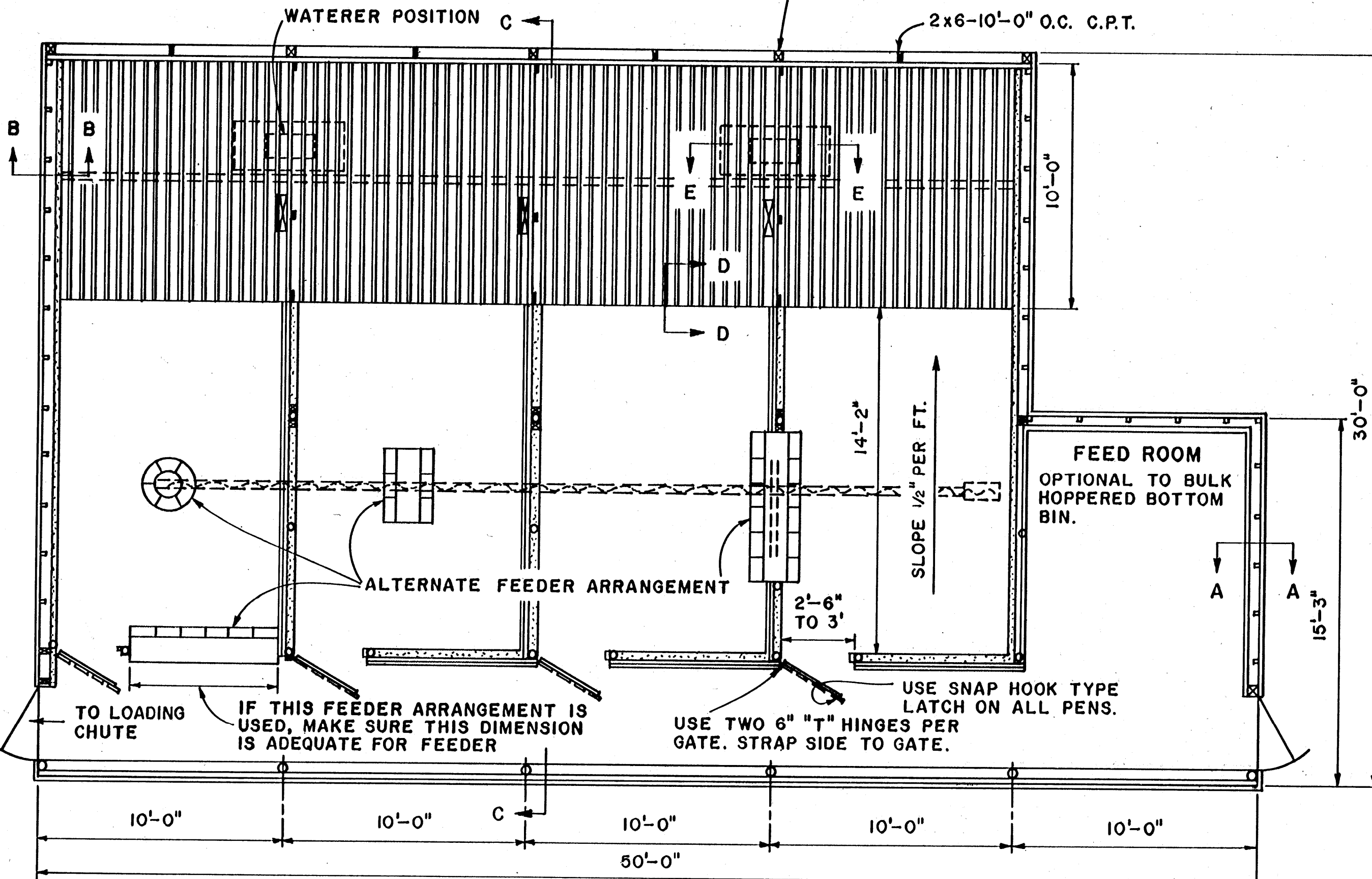
SCALE: 3/8"=1'-0"

6" 5" 4" 3" 2" 1" 0"



NOTE:  
C.P.T. = CREOSOTE PRESSURE-TREATED.

4x6-10'-0" O.C. C.P.T.  
2x6-10'-0" O.C. C.P.T.

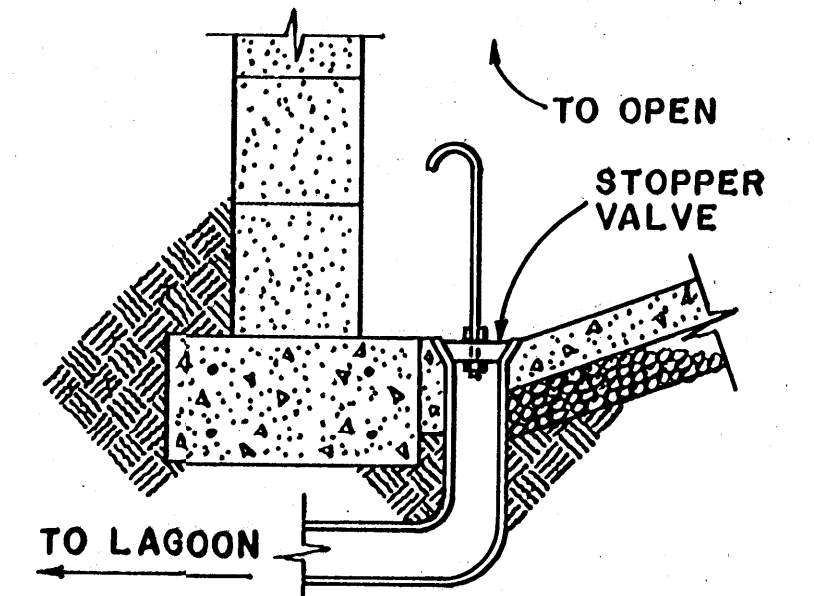


FLOOR PLAN

SCALE: 1/4"=1'-0" UNLESS OTHERWISE NOTED.  
BASED ON: MISS. STATE PLAN NO. S-15

HOPPERED BOTTOM BIN

IF TWO RATIONS ARE FED IN THE BARN AT THE SAME TIME TWO BULK BINS WILL BE NEEDED.



CAST IRON SOIL PIPE UNDER FOUNDATION WALL. BELL TILE, CONCRETE OR VITREOUS CLAY MIN. DIA. 4" FROM HERE TO LAGOON OR DISCHARGE INTO OPEN CONCRETE GUTTER TO LAGOON.

DETAIL AT POINT OF DISCHARGE

SCALE: 1"=1'-0"

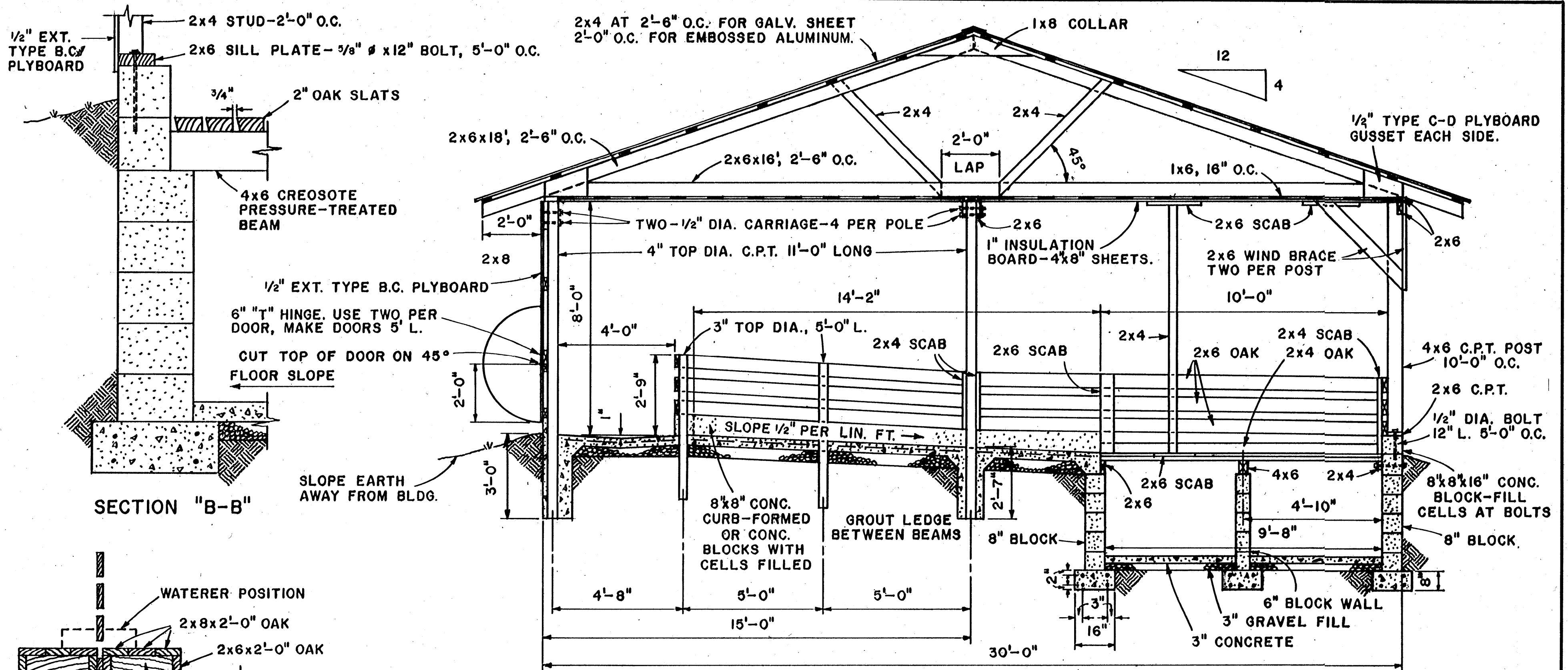
12" 9" 6" 3" 0"

NOTE:  
DISCHARGE VALVE CAN BE INSTALLED AT ANY POINT ALONG SECTION B-B. LEVERS TO THE VALVE MUST BE EXTENDED ABOVE SLATTED FLOOR.

COOPERATIVE EXTENSION WORK IN  
AGRICULTURE AND HOME ECONOMICS  
STATE OF MISSISSIPPI  
MISSISSIPPI STATE UNIVERSITY  
AND  
UNITED STATES DEPARTMENT OF AGRICULTURE COOPERATING

HOG FINISHING BARN  
WITH PARTIAL SLATTED FLOOR

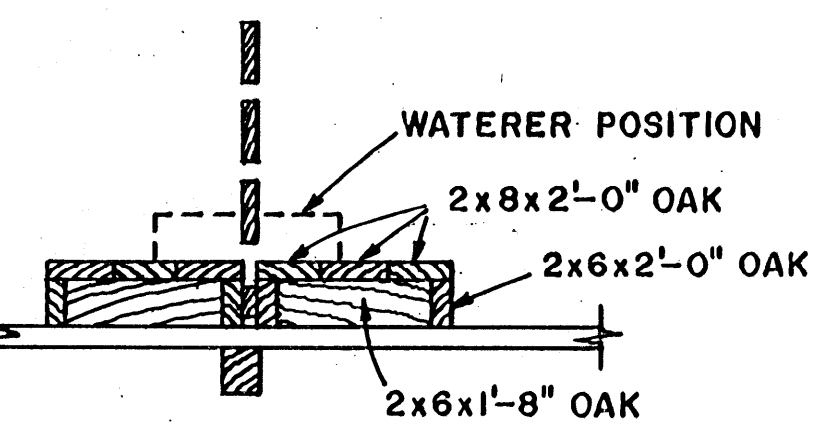
MISS. '75 6211 SHEET 1 OF 2



SECTION "B-B"

CROSS SECTION "C-C"

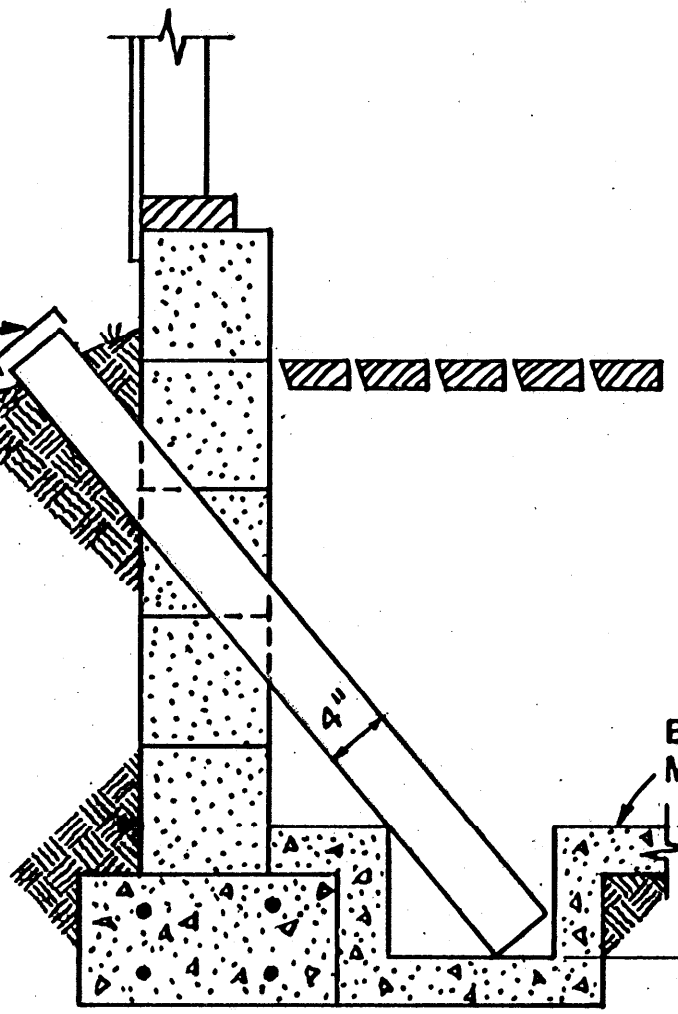
NOTE:  
TWO 1/2" # RODS AT TOP  
TWO 1/2" # RODS AT BOTTOM  
CONTINUOUS AROUND PIT  
FOUNDATION.



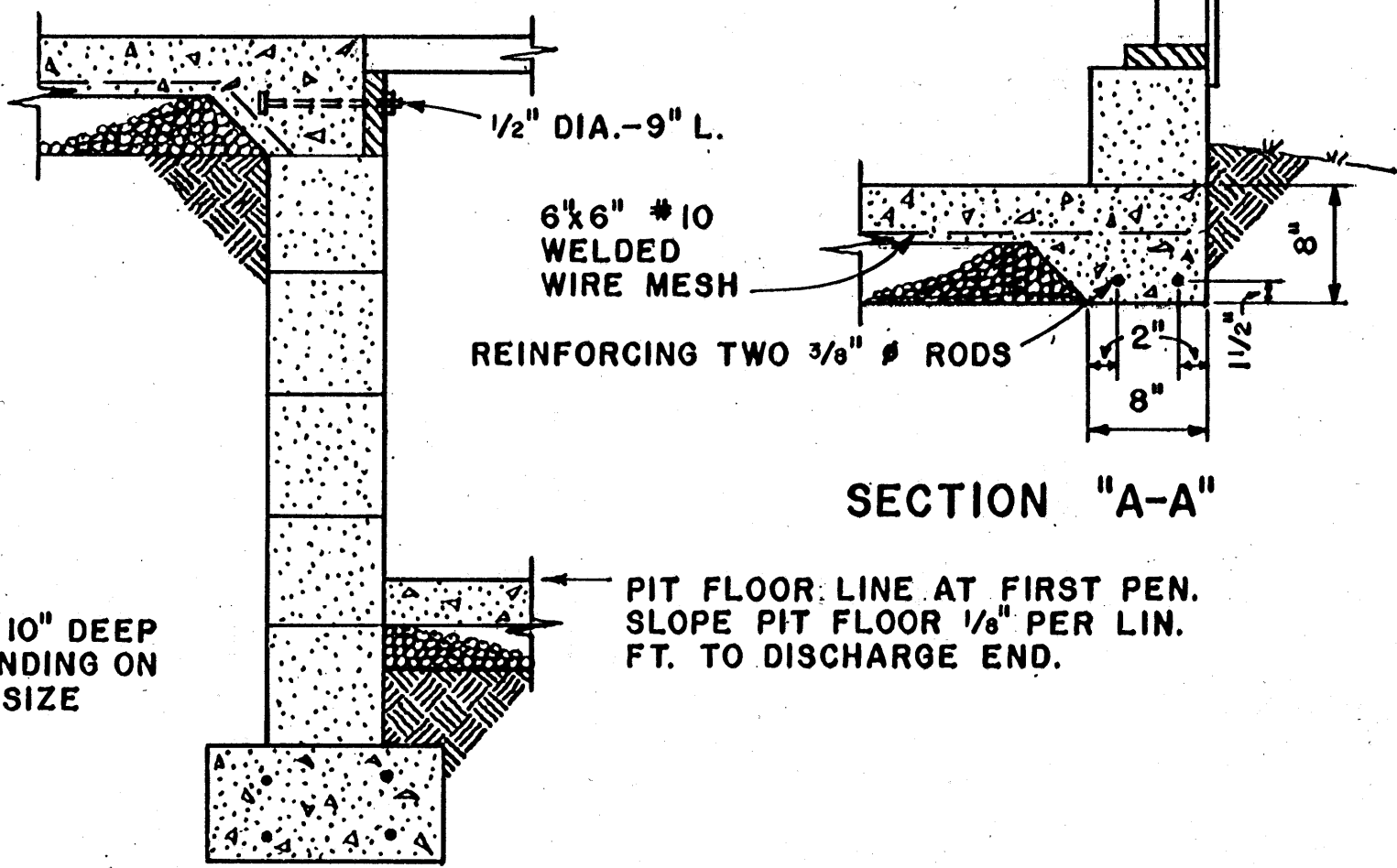
SECTION "E-E"

SCALE: 1/2" = 1'-0"  
12" 0 1' 2'

INSERT HOSE HERE  
FROM PUMP. USE  
PIPE LARGE ENOUGH  
TO ACCOMMODATE  
HOSE FROM PUMP.



SECTION  
SHOWING ALTERNATE MANURE  
DISPOSAL SYSTEM USING PUMP.



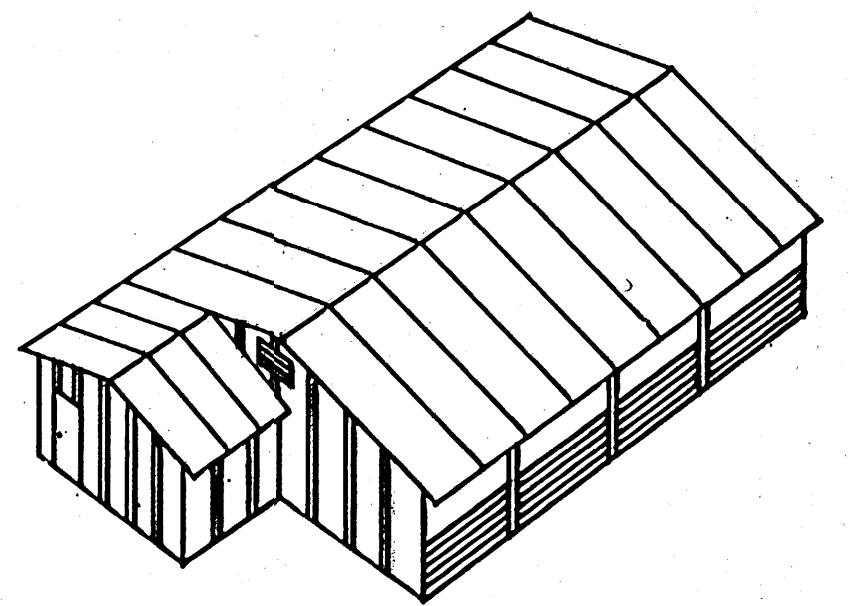
SECTION "A-A"

PIT FLOOR LINE AT FIRST PEN.  
SLOPE PIT FLOOR 1/8" PER LIN.  
FT. TO DISCHARGE END.

SECTION "D-D"

12" 6" 0 1'

SCALE: 1" = 1'-0" UNLESS OTHERWISE NOTED.



PERSPECTIVE

COOPERATIVE EXTENSION WORK IN AGRICULTURE AND HOME ECONOMICS		
STATE OF MISSISSIPPI		
MISSISSIPPI STATE UNIVERSITY		
AND UNITED STATES DEPARTMENT OF AGRICULTURE COOPERATING		
HOG FINISHING BARN WITH PARTIAL SLATTED FLOOR		
MISS. '75	6211	SHEET 2 OF 2