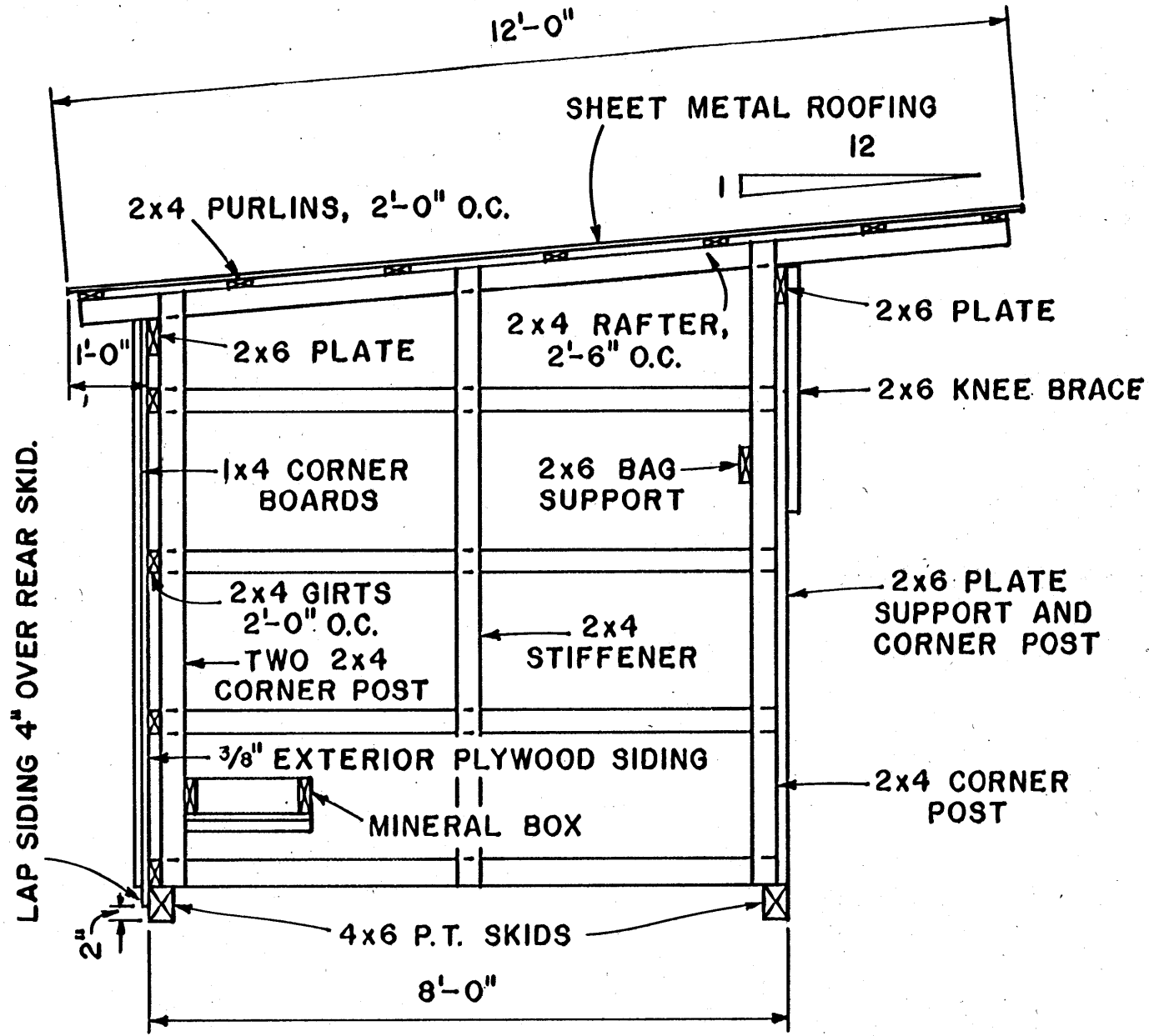
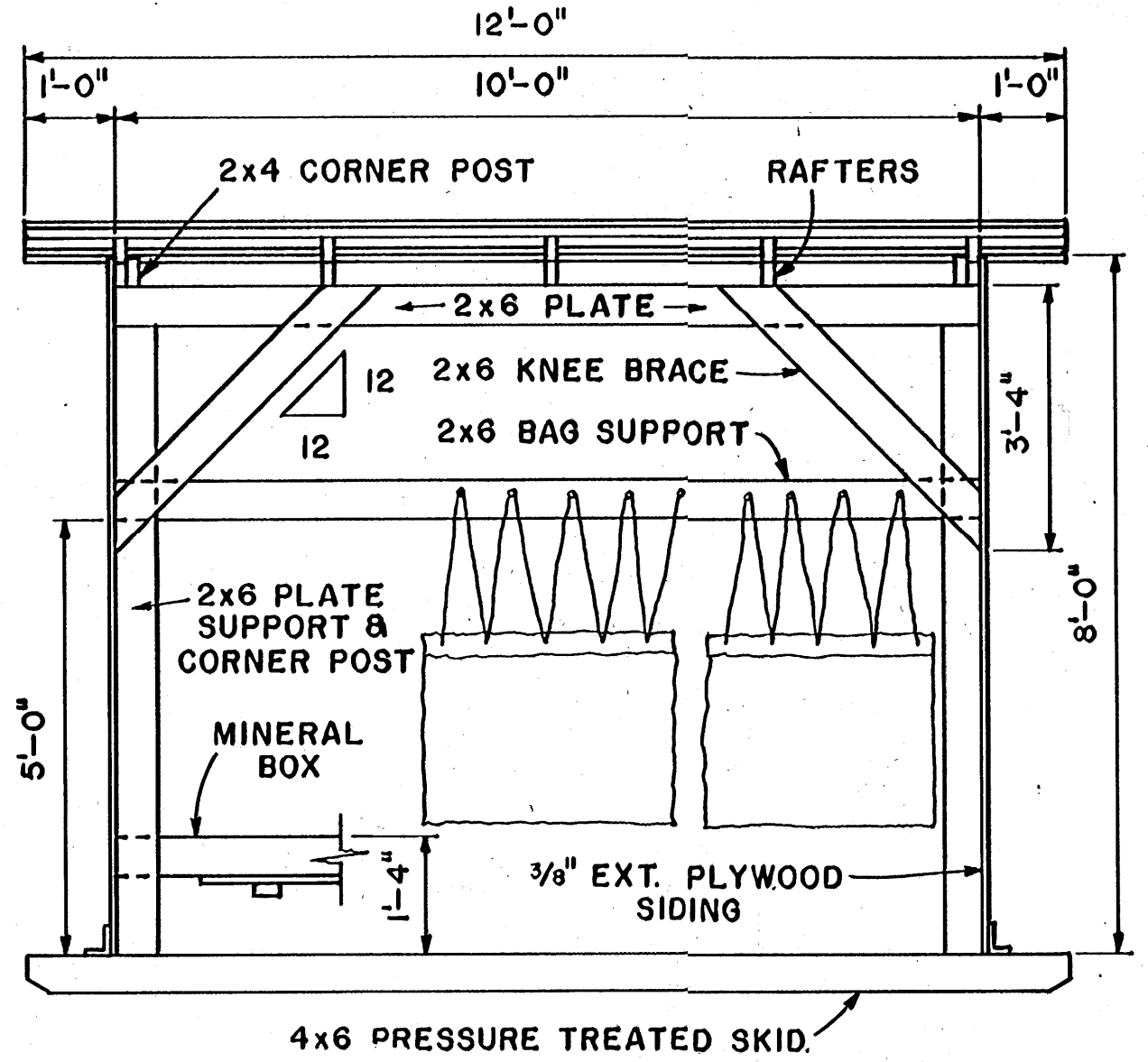


MATERIALS LIST		
QUANT.	ITEM	USE
2	4x6x12' P.T.	SKIDS
2	2x6x8'	CORNER POSTS
4	2x6x10'	PLATES, KNEE BRACES, DUST BAG SUPPORT.
3	2x6x12'	TRANSPORT BRACE, MINERAL BOX.
17	2x4x8'	CORNER POSTS, STIFFENERS, GIRTS.
3	2x4x10'	GIRTS
13	2x4x12'	RAFTERS, PURLINS, MINERAL BOX.
8	1x4x8'	CORNER BOARDS.
3	4'x12' ALUM. SHEET	ROOFING
7	3/8'x4x8' EXT. PLYWOOD	SIDING, MINERAL BOX.
4	3'x3'x1/4'x4" ANGLE	SKID MOUNTS.
16	3/8'x4" LAG SCREWS	SKID MOUNTS.

NAILS, PAINT, OR STAIN AS NEEDED.



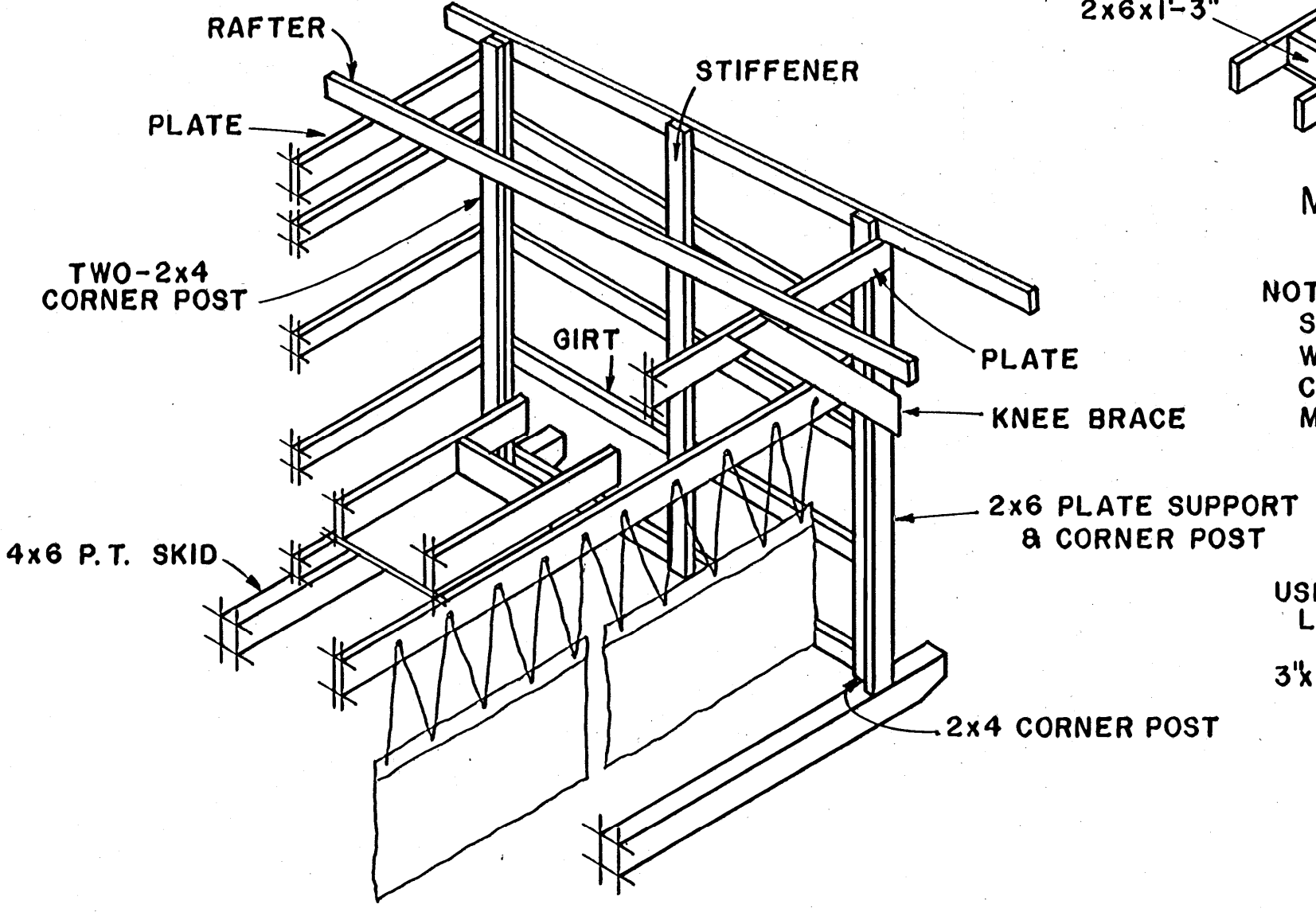
CROSS SECTION



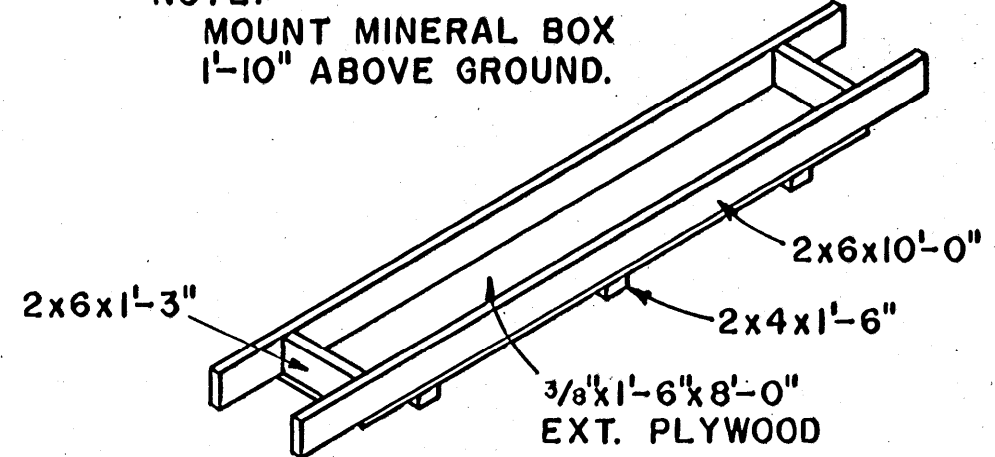
FRONT ELEVATION

NOTE: SHELTER SHOULD BE STAKED WITH 1" PIPE TO PREVENT WIND OVERTURN.

NOTE: MOUNT MINERAL BOX 1'-10" ABOVE GROUND.

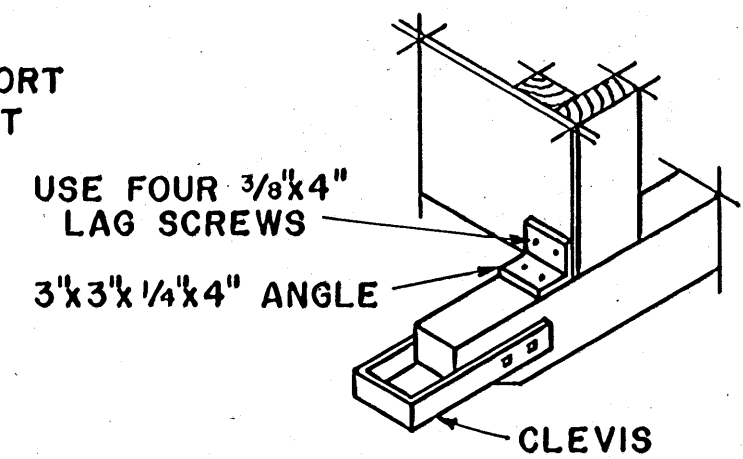


FRAMING ISOMETRIC
SCALE: NONE

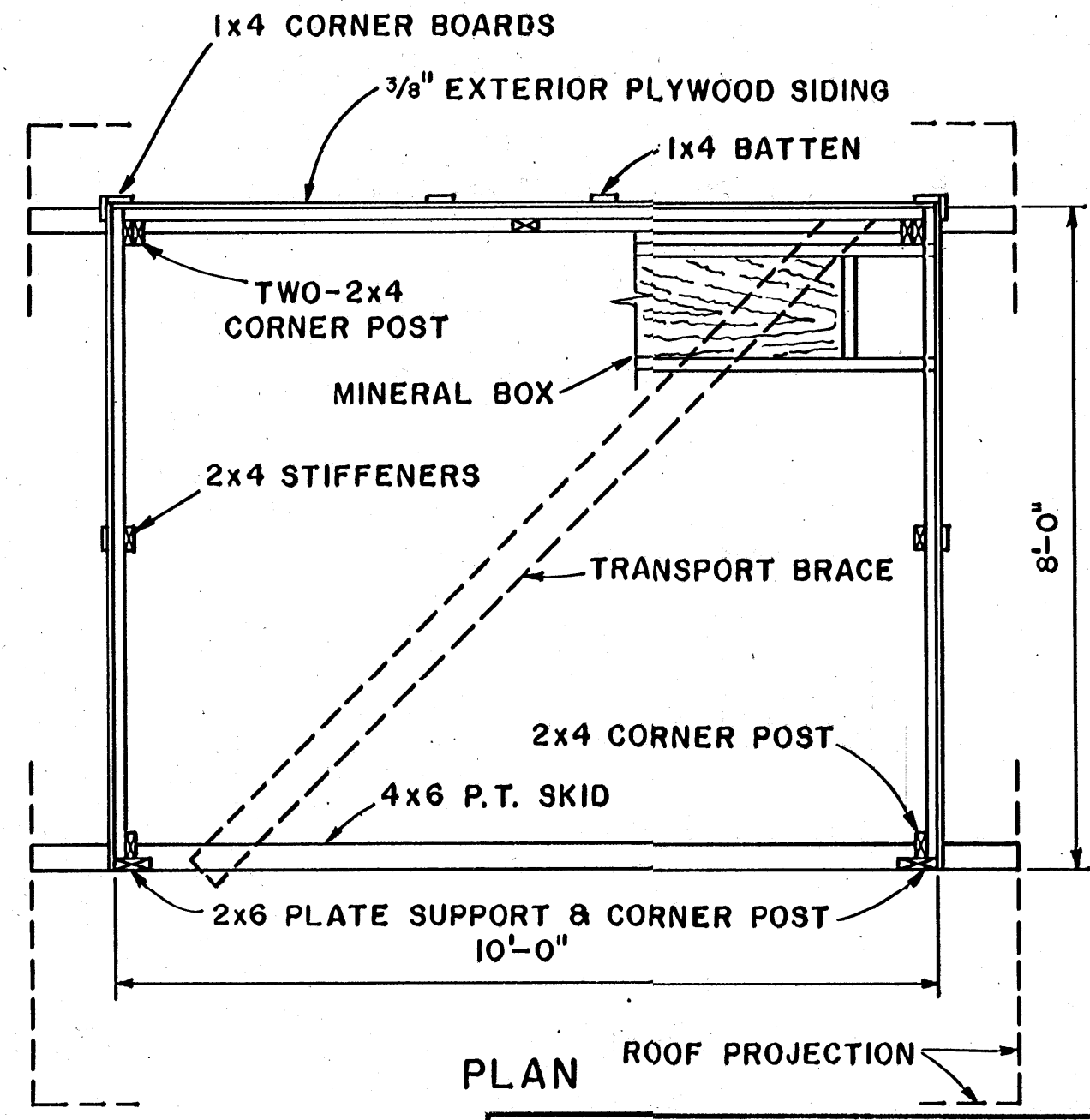


MINERAL BOX DETAIL
SCALE: NONE

NOTE: SECURE 4x6 P.T. SKIDS TO SHELTER WITH ANGLES (AS SHOWN), BOLT-CONNECTED 2x6 GUSSETS, OR OTHER MEANS AS DESIRED.



SKID MOUNT DETAIL
SCALE: NONE



PLAN ROOF PROJECTION

SCALE: 1/2" = 1'-0" UNLESS OTHERWISE NOTED.

BASED ON: VPI. & SU PLAN NO. C-5.40

COOPERATIVE EXTENSION WORK IN AGRICULTURE AND HOME ECONOMICS
STATE OF MISSISSIPPI
MISSISSIPPI STATE UNIVERSITY
AND
UNITED STATES DEPARTMENT OF AGRICULTURE COOPERATING

PORTABLE MINERAL SHELTER

VA.	'75	6226	SHEET 1 OF 1
-----	-----	------	--------------