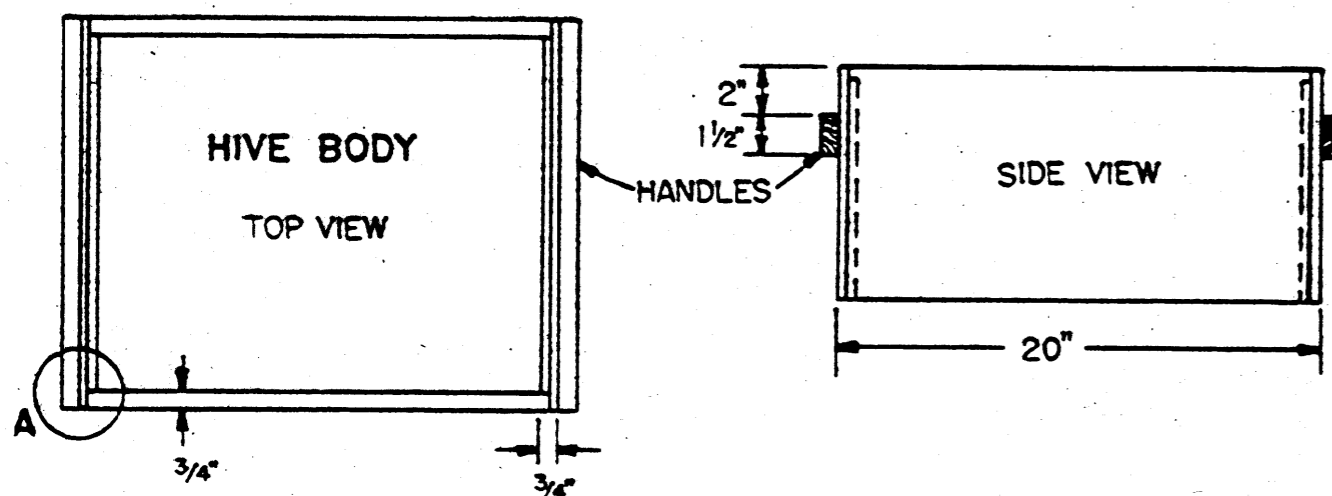


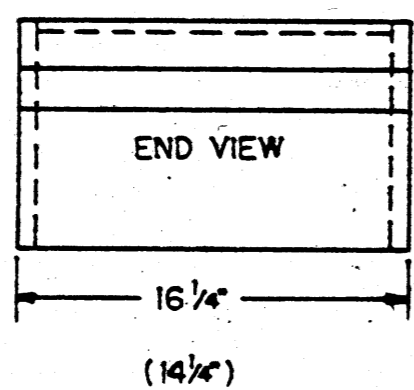
COVER 16 1/4" X 22"	BOTTOM 16 1/4" X 22"	BOTTOM 16 1/4" X 22"	COVER 16 1/4" X 22"
HANDLES 1 1/2" X 16 1/4"		HANDLES 1 1/2" X 16 1/4"	
SIDE 9 7/8" X 19 1/4"	END 9 7/8" X 16 1/4"	END 9 7/8" X 16 1/4"	SIDE 9 7/8" X 19 1/4"
SIDE 9 7/8" X 19 1/4"	END 9 7/8" X 16 1/4"	END 9 7/8" X 16 1/4"	SIDE 9 7/8" X 19 1/4"

CUTTING PLAN FOR PLYWOOD PARTS SHOWING ACTUAL DIMENSIONS ALLOW FOR SAW KERFS ON SAWN EDGES. (ONE HIVE BODY FROM 4' X 4' PLYWOOD, FULL SUPER.)



DEPTHS FOR HIVES

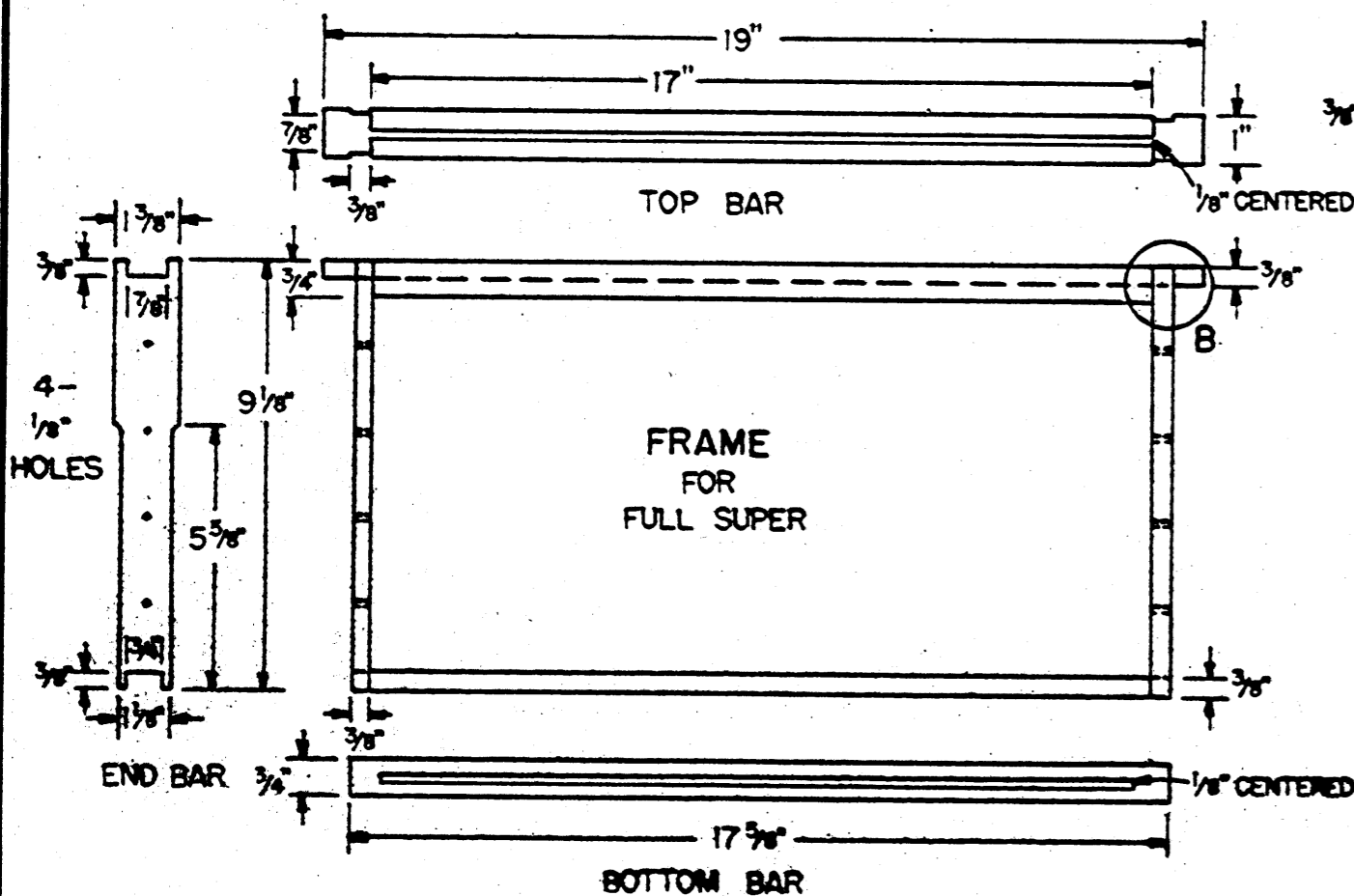
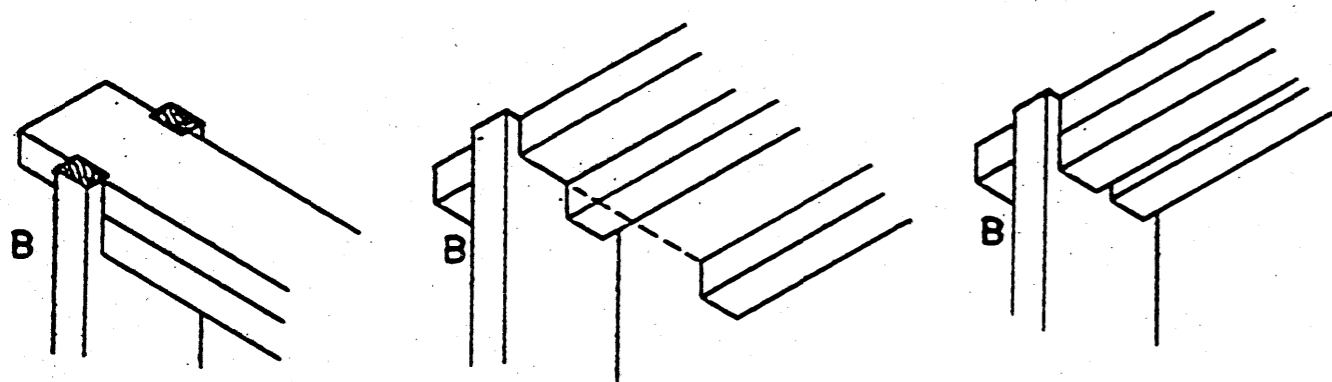
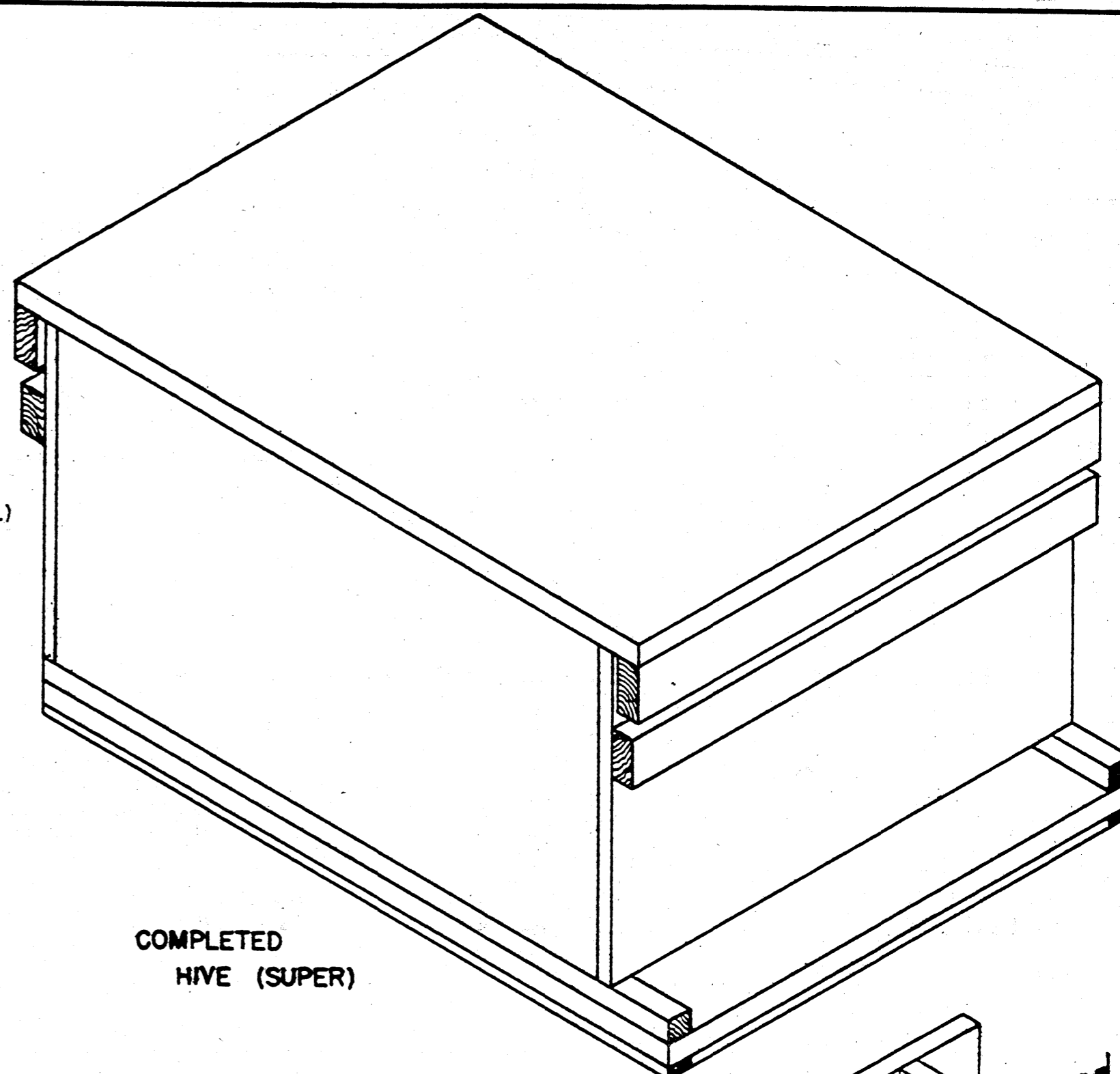
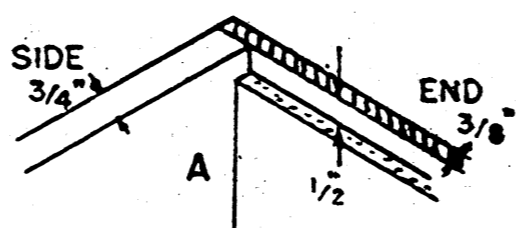
FULL SUPER = 9 7/8"
 THREE-QUARTER SUPER = 6 3/8"
 SHALLOW SUPER = 5 3/4"



ALTERNATE DIMENSIONS FOR AN 8-FRAME UNIT ARE IN BRACKETS.

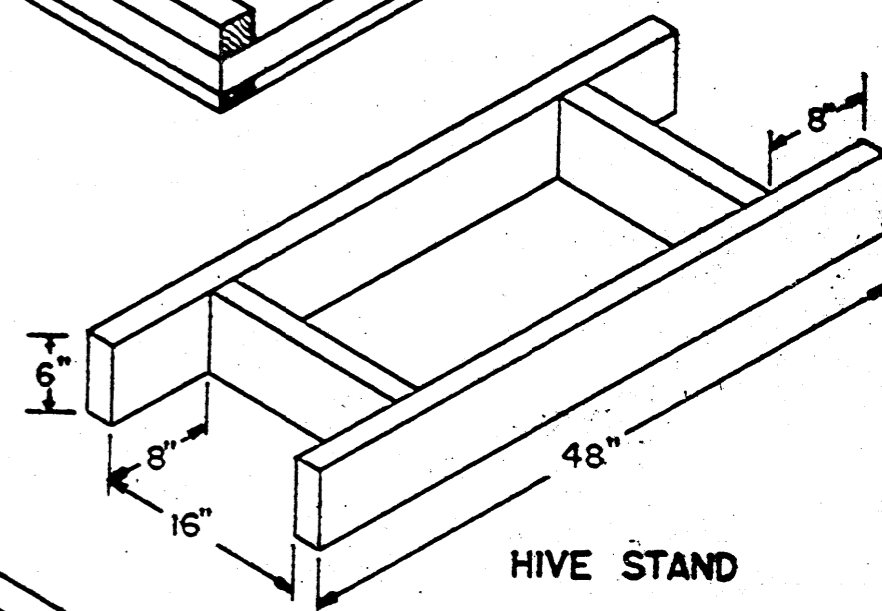
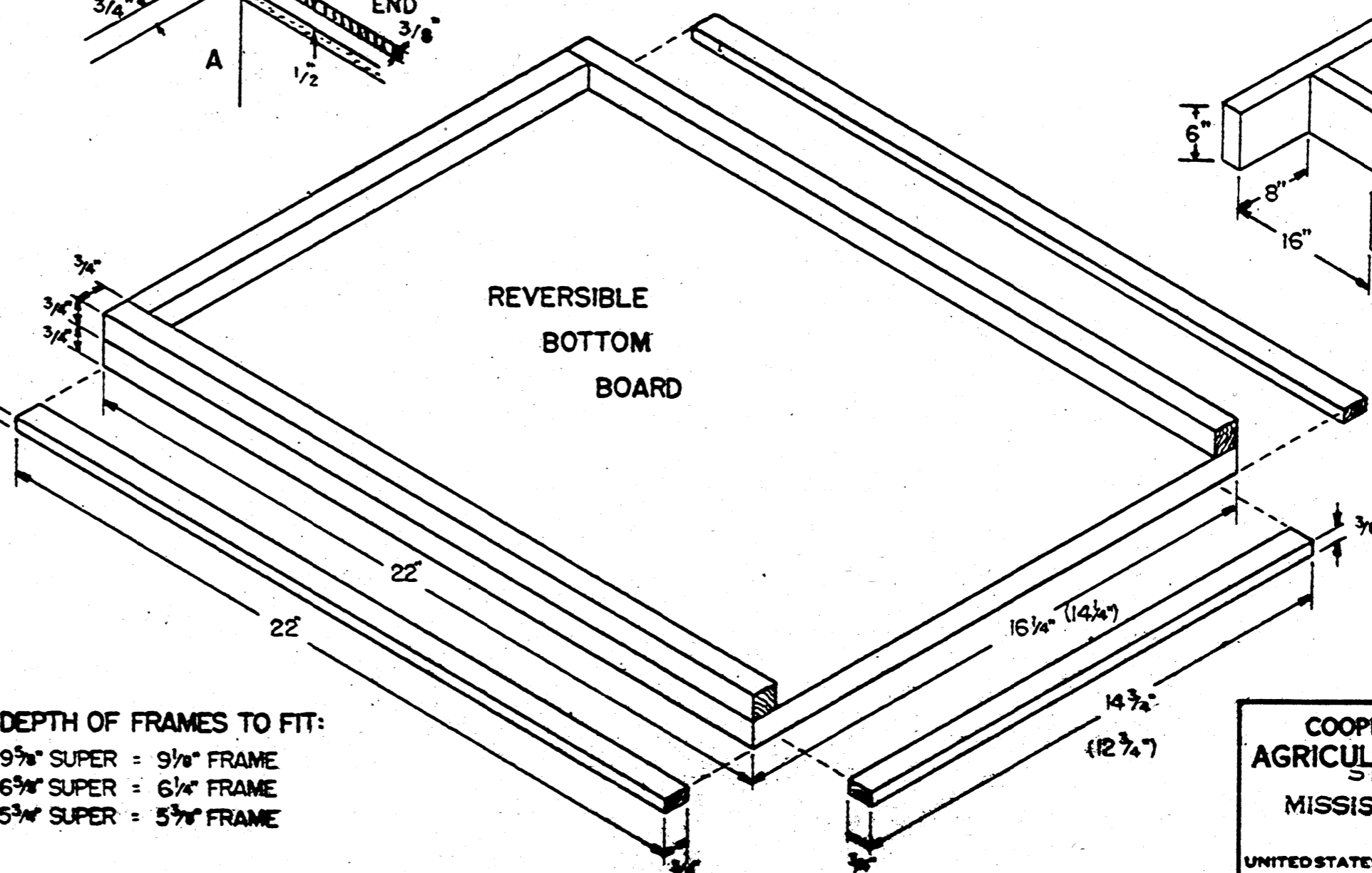
MATERIALS LIST

- 10'-10"-2" X 6" PINE OR FIR
- 4' X 4' X 3/4" A-A EXTERIOR PLYWOOD
- 1 3/4" X 3/4" X 33" PINE OR FIR
- 1" X 3/4" X 20" PINE OR FIR
- 3/4" X 3/4" X 60" PINE OR FIR
- 1 3/8" X 3/8" X 19" PINE OR FIR
- 3/4" X 3/8" X 80" PINE OR FIR
- 1 LB. 6d BOX NAILS



DEPTH OF FRAMES TO FIT:

- 9 7/8" SUPER = 9 1/8" FRAME
- 6 3/8" SUPER = 6 1/4" FRAME
- 5 3/4" SUPER = 5 7/8" FRAME



NO SCALE

COOPERATIVE EXTENSION WORK IN
 AGRICULTURE AND HOME ECONOMICS
 STATE OF MISSISSIPPI
 MISSISSIPPI STATE UNIVERSITY
 AND
 UNITED STATES DEPARTMENT OF AGRICULTURE COOPERATING

BEEHIVE AND FRAME

OR. '75 6231 SHEET | OF |

BASED ON: OREGON STATE UNIV. PLAN NO. BP 116