

ELEVATION

SCALE 3/8" = 1'-0"
12" 0 1' 2'

TABLE OF SIZES FOR TRUSS MEMBERS -

ROOF SLOPE	RISE	TOP CHORD	(A)	(B)	(C)	W1	W2	W3
4/12	6'-0"	20'	16" x 11"	16" x 10"	10" x 10"	2" x 4"	2" x 6"	2" x 4"

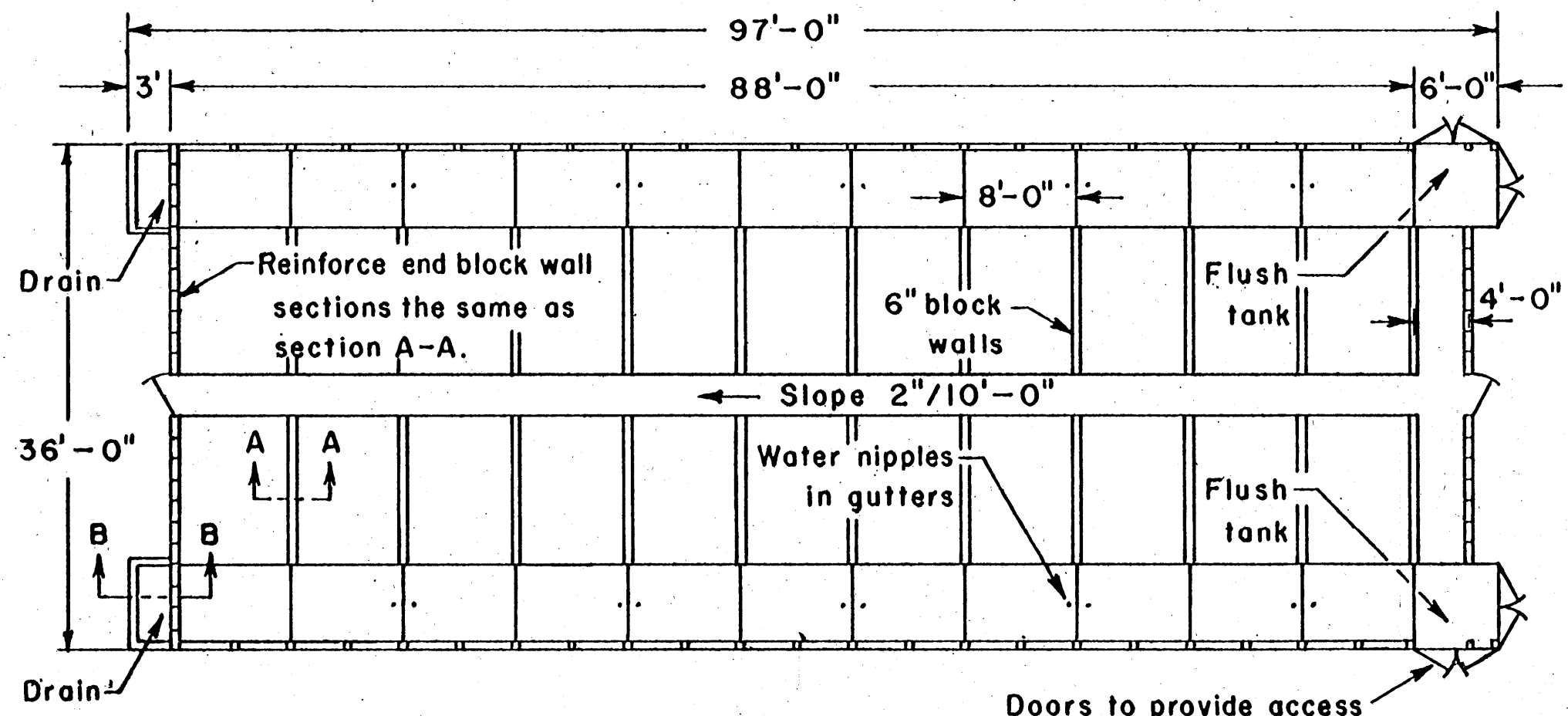
NOTE: Gussets A, B, and C are 3/8" thick plywood.

NOTE: CONSULT LOCAL HEALTH AND BUILDING CODE AUTHORITIES BEFORE STARTING CONSTRUCTION

Capacity 132 sows
@ 6 sows per pen.

Winter ventilation note:
locate fans on south or east side
fan 1 - 1500 cfm set thermostat at 35°
fan 2 - 1500 cfm set thermostat at 50°
fan 3 - 1500 cfm set thermostat at 60°
fan 4 - 1500 cfm set thermostat at 70°
Open building for summer ventilation.

0 2' 4' 6' 8'
12' 1' 3' 5' 7'
SCALE 3/32" = 1'-0"



PLAN

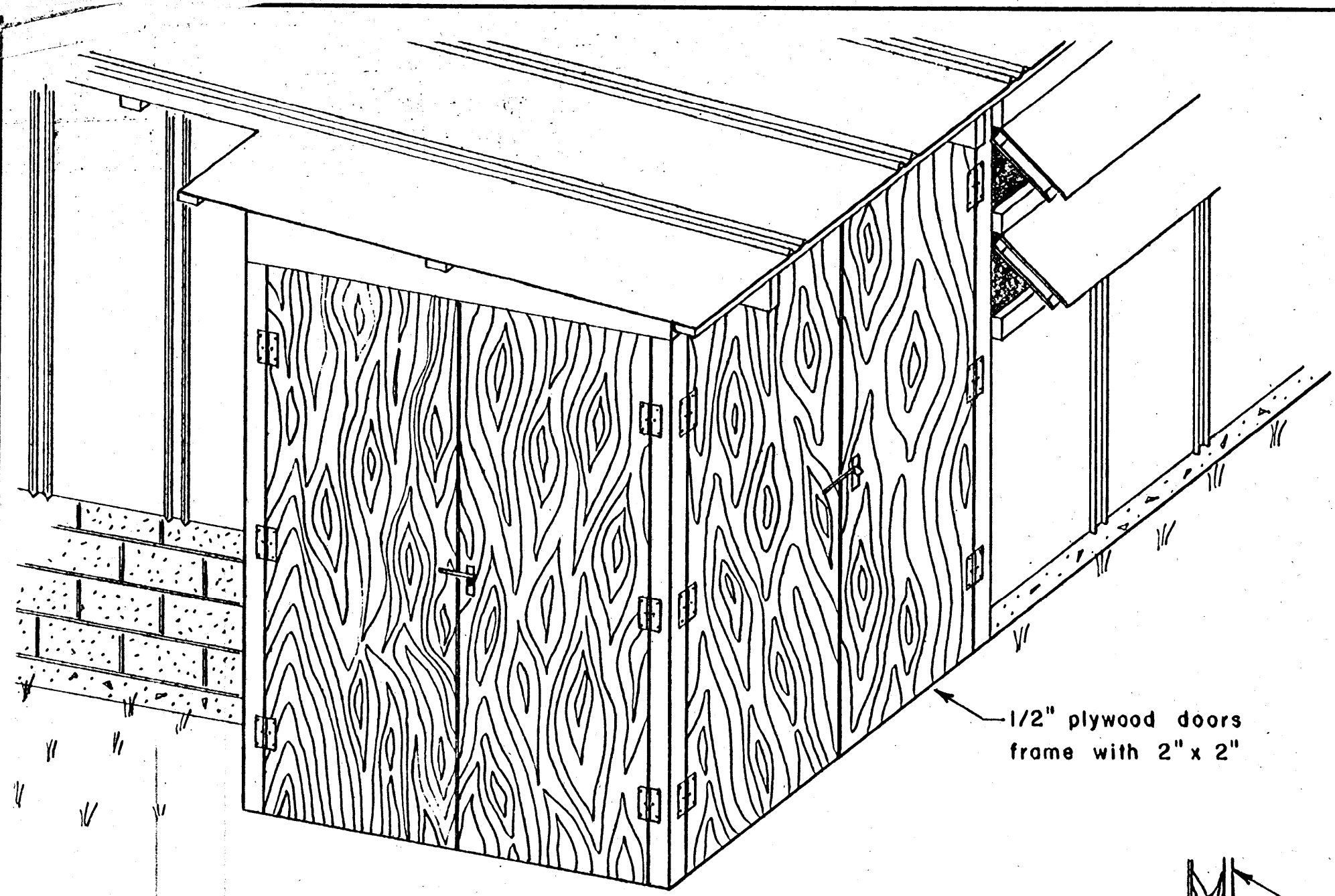
OPEN GUTTER FLUSH SYSTEM

BASED ON: UNIV. OF MD. PLAN 75-1-6

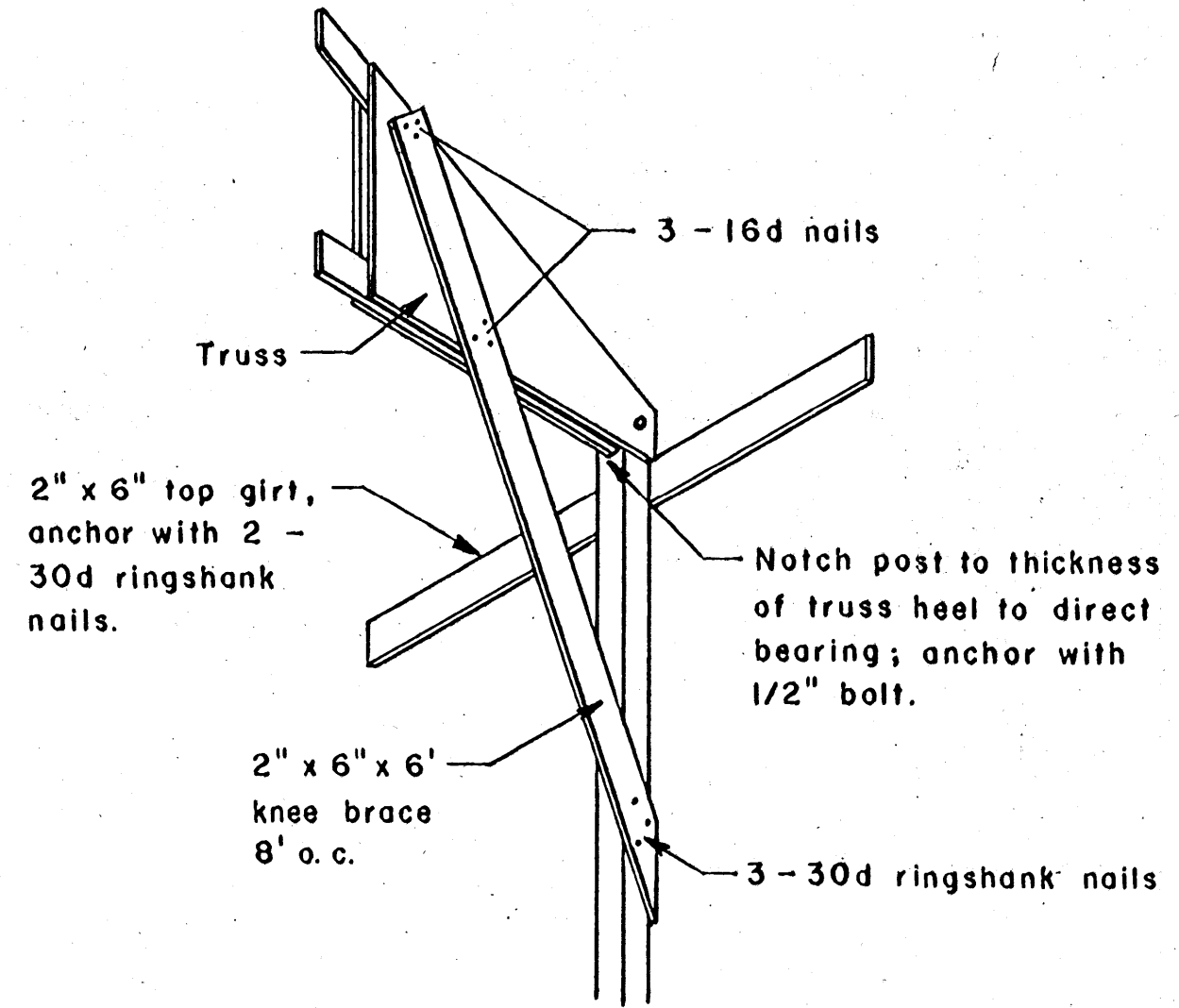
COOPERATIVE EXTENSION WORK IN AGRICULTURE AND HOME ECONOMICS
STATE OF MISSISSIPPI
MISSISSIPPI STATE UNIVERSITY.
AND
UNITED STATES DEPARTMENT OF AGRICULTURE COOPERATING

GESTATION HOUSE

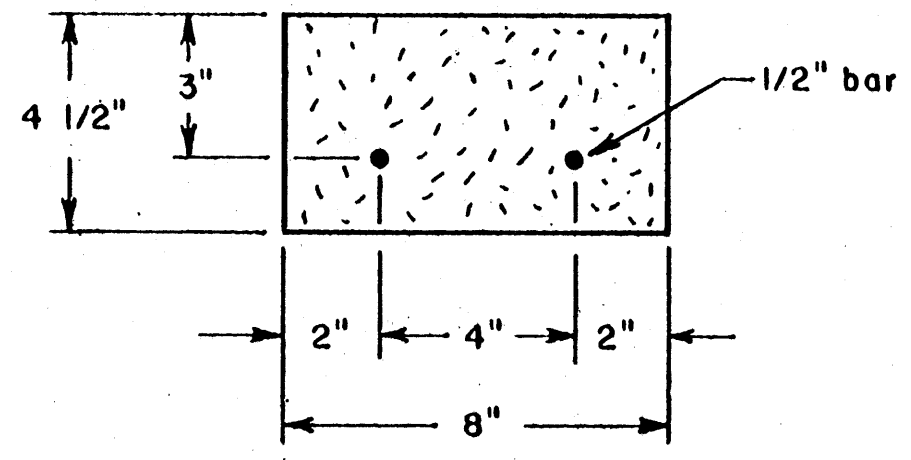
MD.	'76	6 2 4 0	SHEET 1 OF 2
-----	-----	---------	--------------



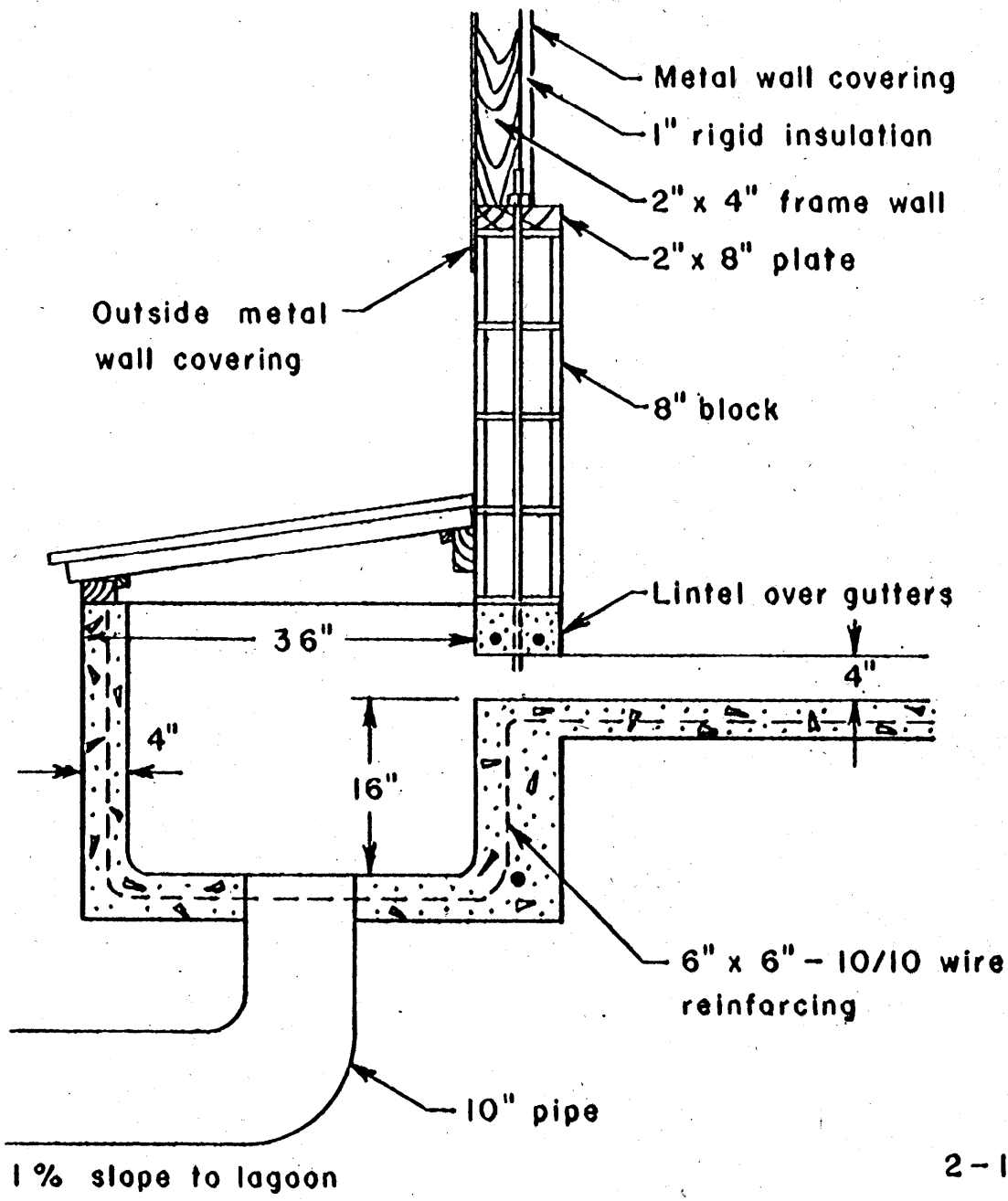
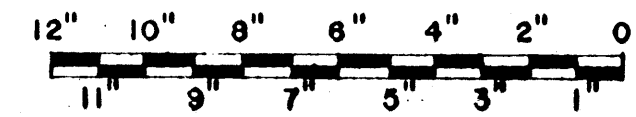
Flush annex walls can be of doors shown or other removable panels to allow access to tank.



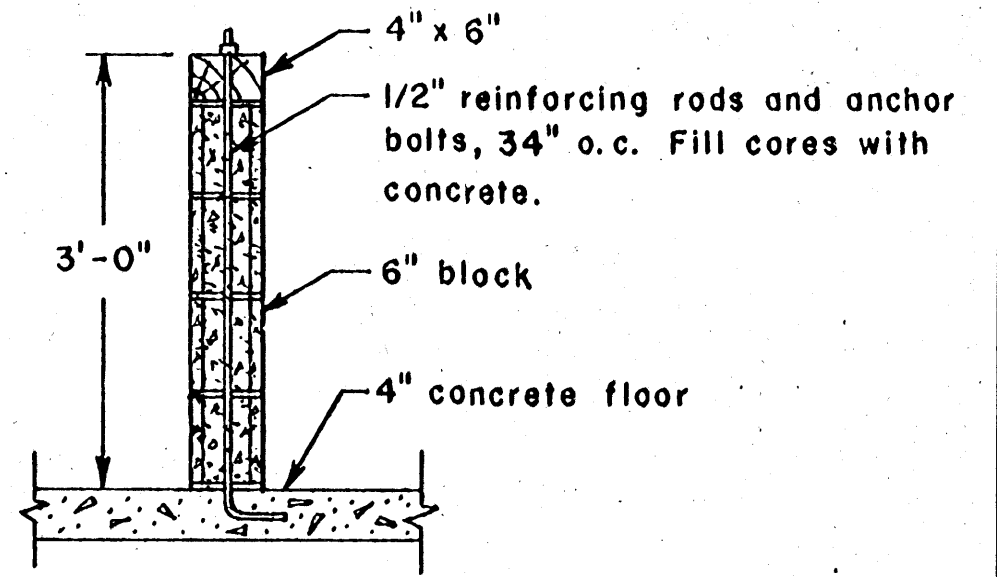
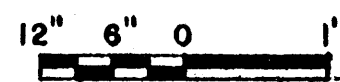
Knee detail



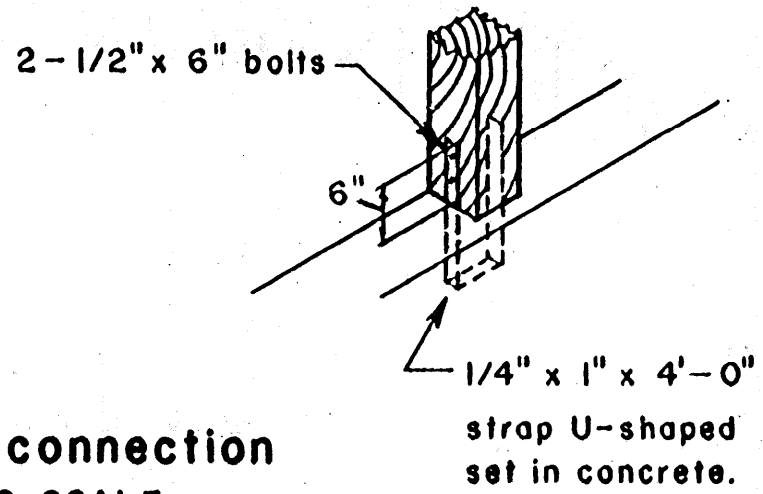
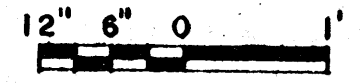
Precast lintel



Section BB



Section AA



Post connection
NO SCALE

COOPERATIVE EXTENSION WORK IN
AGRICULTURE AND HOME ECONOMICS
STATE OF MISSISSIPPI
MISSISSIPPI STATE UNIVERSITY
AND
UNITED STATES DEPARTMENT OF AGRICULTURE COOPERATING

GESTATION HOUSE