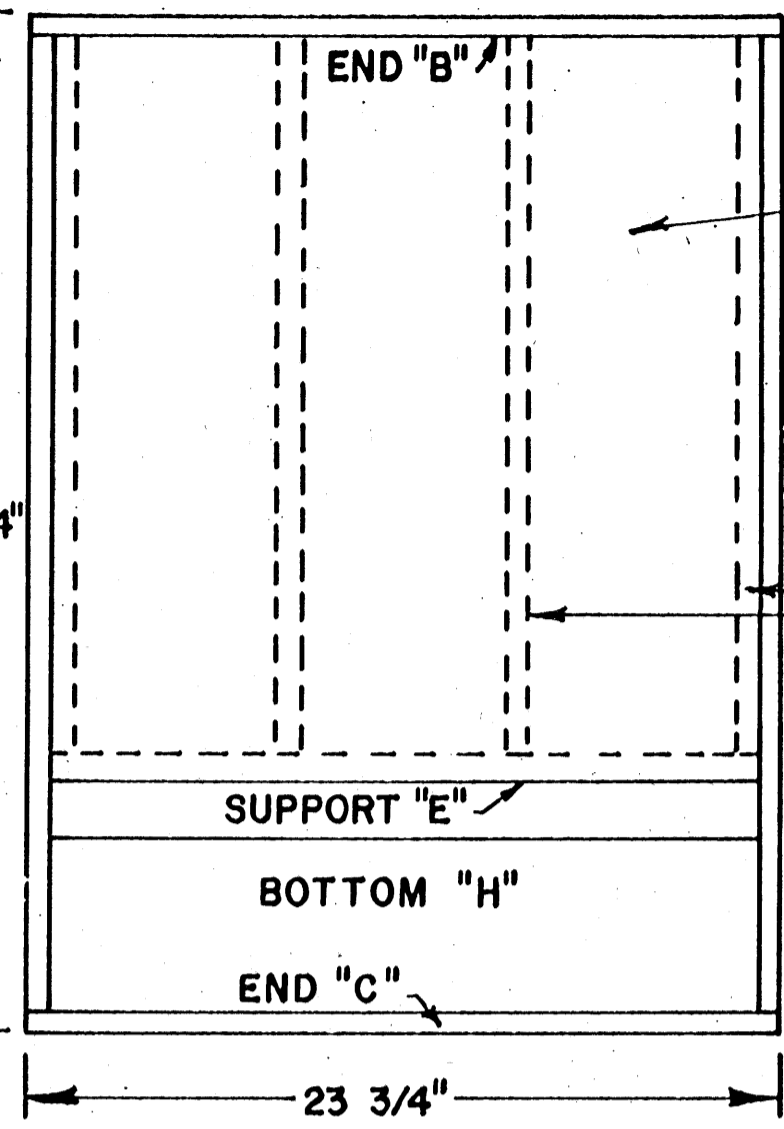
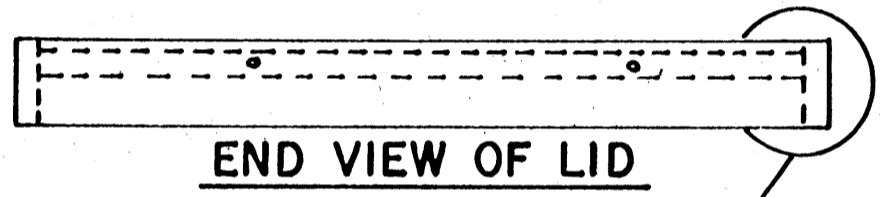


TOP VIEW OF LID

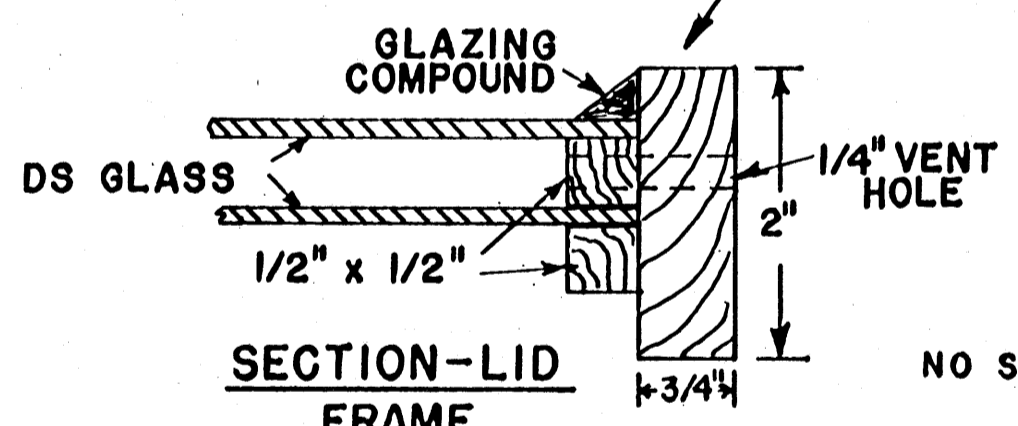
NO SCALE



TOP VIEW OF BOX

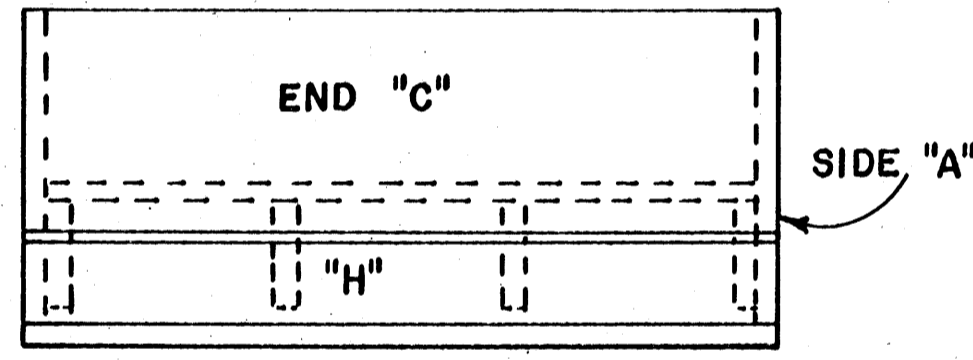


END VIEW OF LID

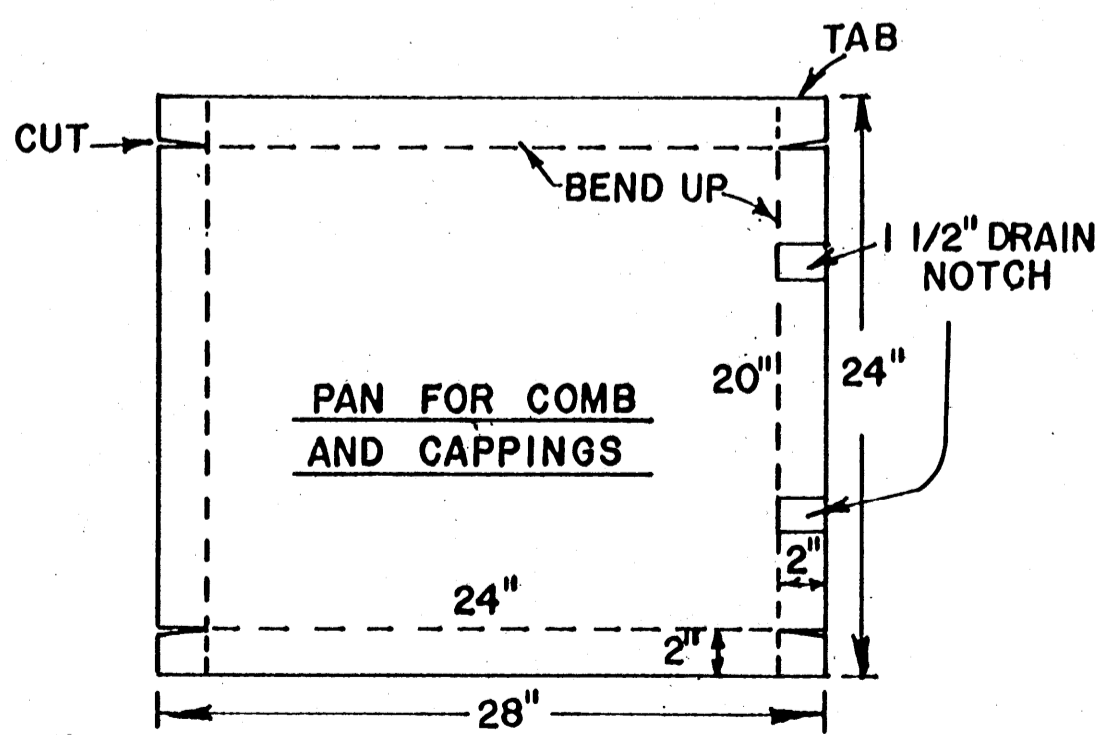


SECTION-LID FRAME

NO SCALE

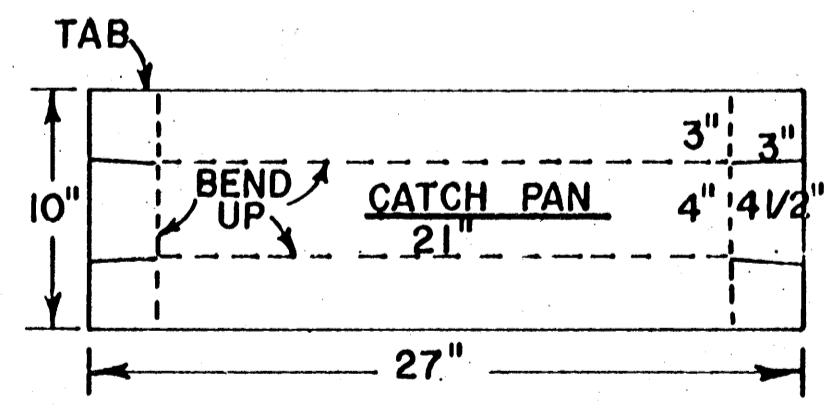


END VIEW OF BOX

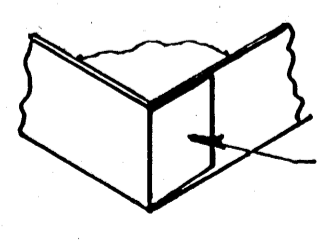


CUTTING DIAGRAMS FOR 24 GA. GALVANIZED STEEL PANS

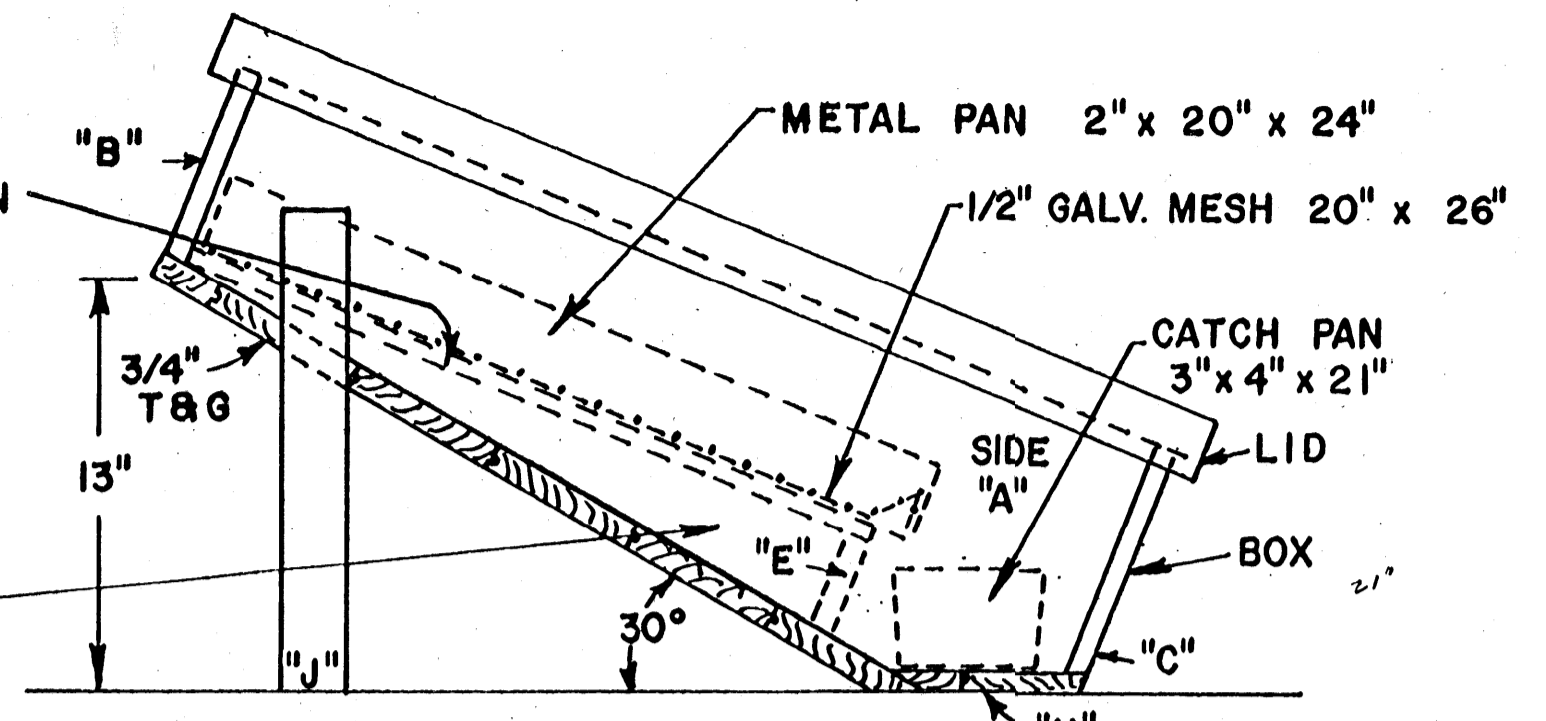
NO SCALE



PAN CORNER DETAIL



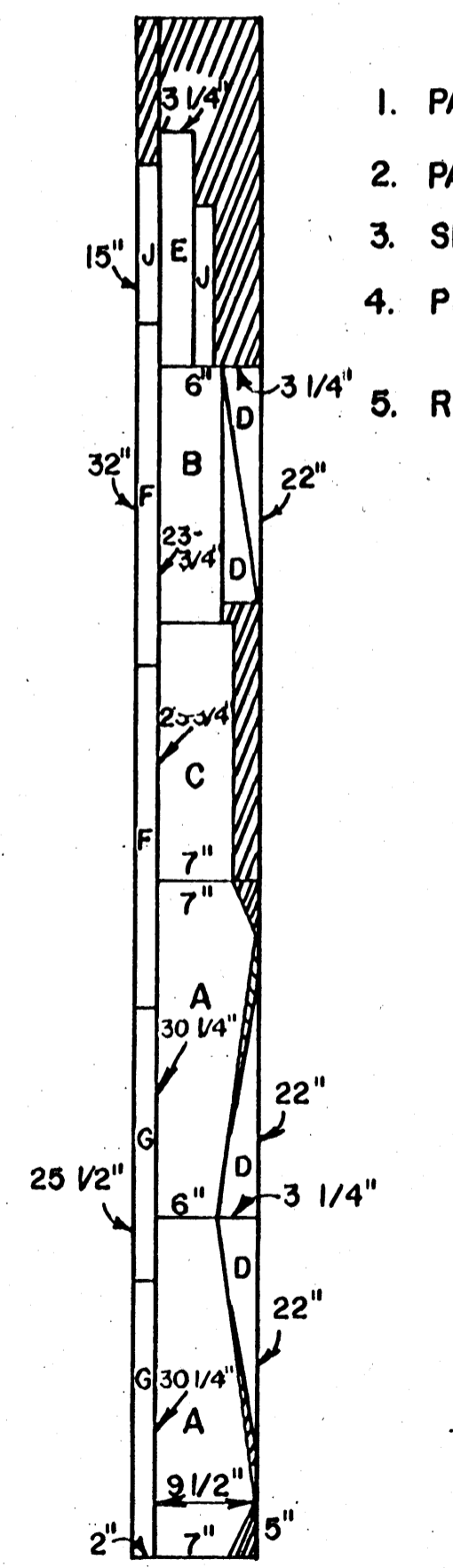
BEND TAB FLAT & SOLDER JOINT



SIDE VIEW, COMPLETE UNIT

NOTES

1. PAINT INSIDE WHITE.
2. PAINT OUTSIDE BLACK.
3. SEAL ALL CRACKS.
4. PLACE IN PROTECTED PLACE ON SOUTH SIDE OF A BUILDING.
5. REMOVE WAX AND HONEY WHEN MOST COMBS ARE MELTED. THE HONEY SHOULD BE DISCARDED.



CUTTING DIAGRAM

1" x 12" x 12" BOARD - (3/4" x 11 1/2" x 12")

NO SCALE

BASED ON: PENN STATE UNIV. PLAN NO. 790-301

COOPERATIVE EXTENSION WORK IN AGRICULTURE AND HOME ECONOMICS
STATE OF MISSISSIPPI
MISSISSIPPI STATE UNIVERSITY
AND
UNITED STATES DEPARTMENT OF AGRICULTURE COOPERATING

SOLAR BEESWAX EXTRACTOR

PA '77 6265 SHEET 1 OF 1