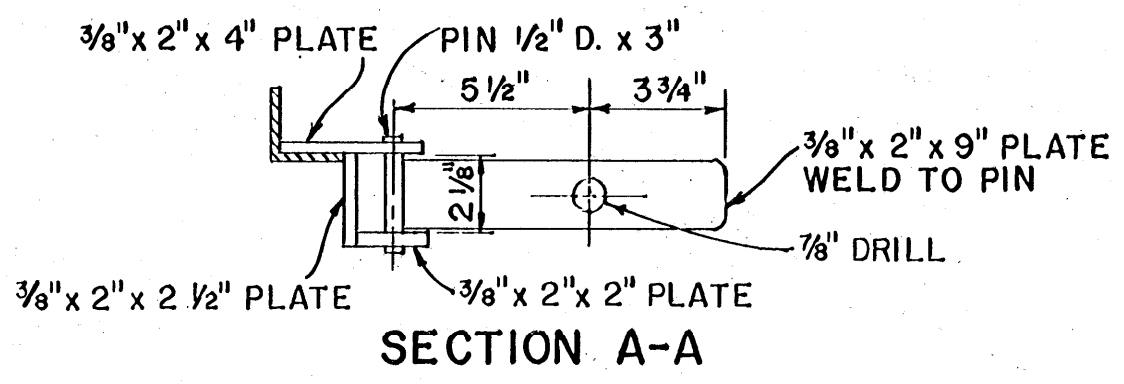
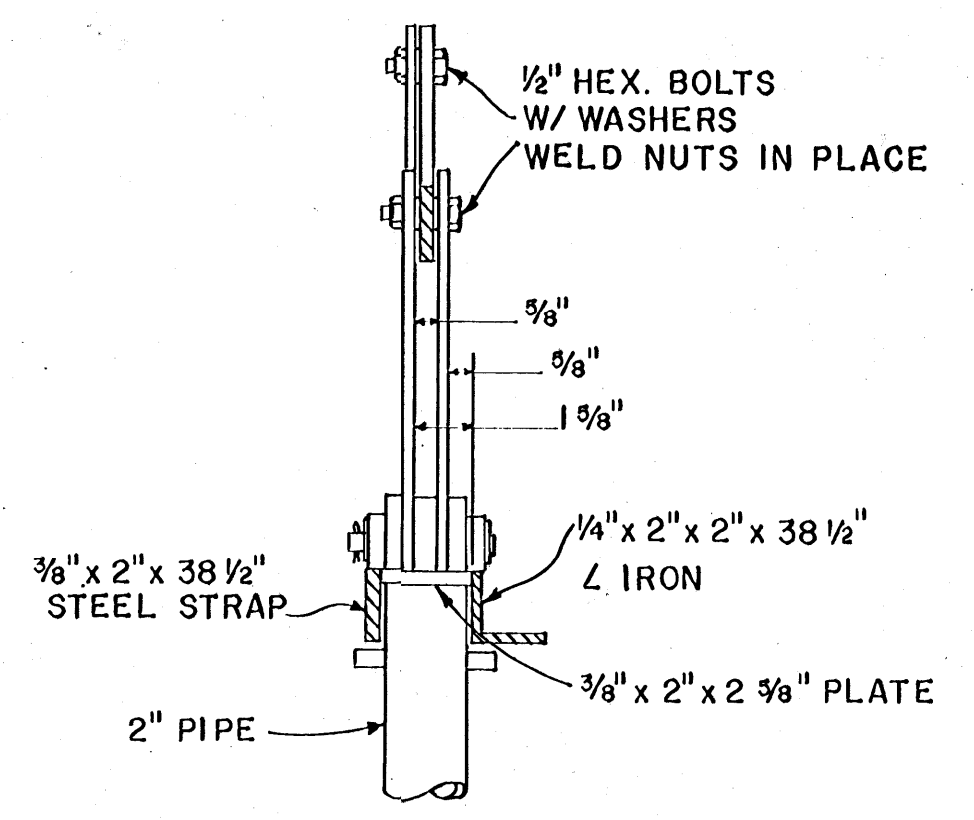


ELEVATION

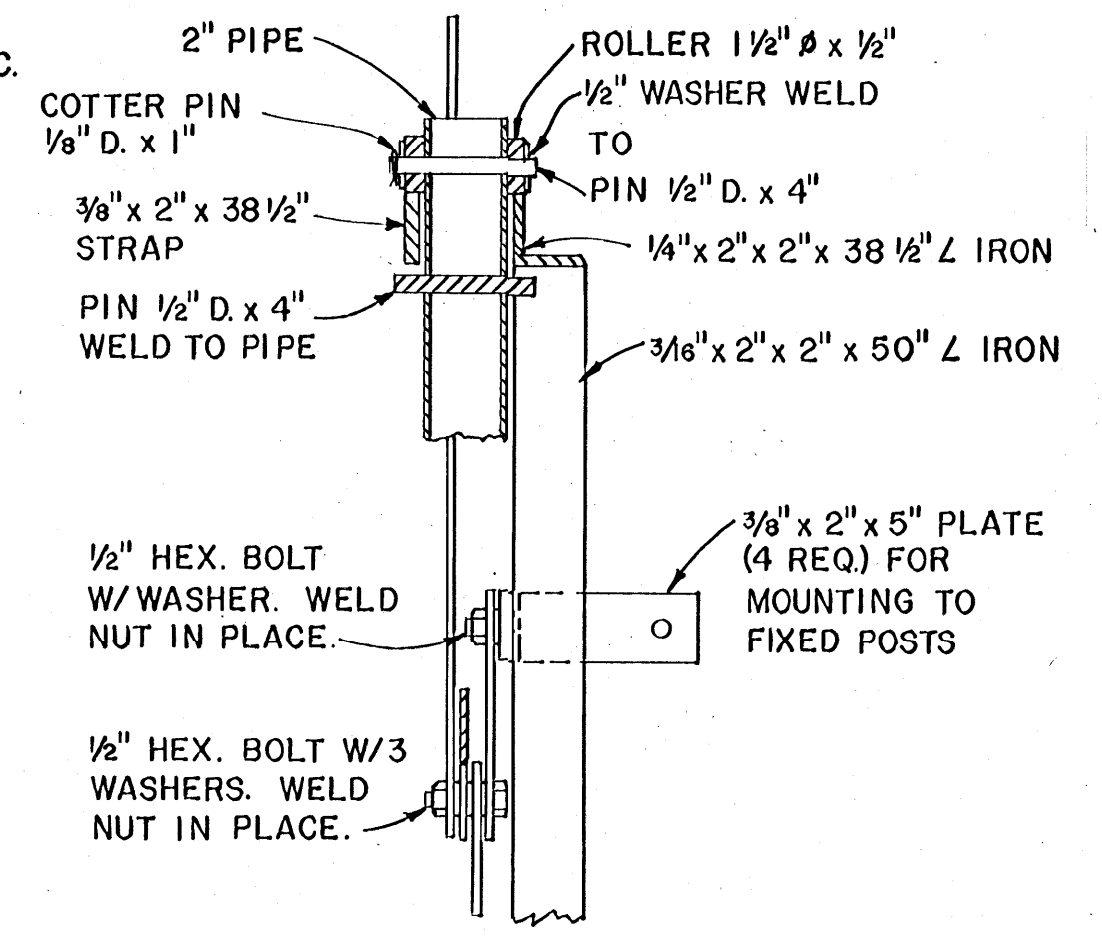


SECTION A-A

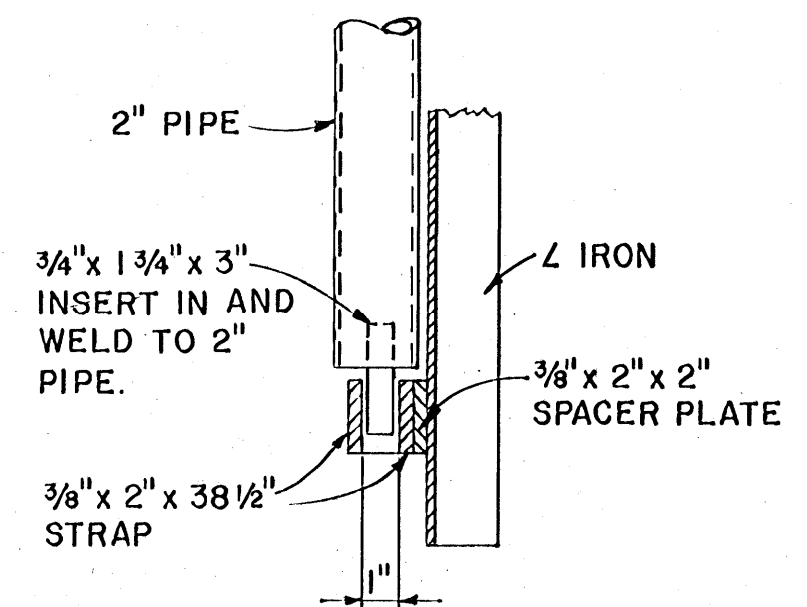


SECTION B-B

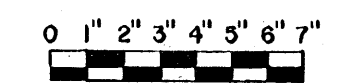
- NOTES:
1. ALL SCISSOR ACTION JOINTS TO BE ASSEMBLED AS SHOWN IN SECTION C-C.
 2. 17/32" DRILL-ALL HOLES UNLESS OTHERWISE NOTED.
 3. FASTEN MOVABLE PARTS WITH 1/2" D. PINS OR 1/2" BOLTS AND NUTS WHERE INDICATED. FIX FASTENERS IN PLACE BY WELDING.
 4. ATTACH HEADGATE AT 4 PLACES TO FIXED POSTS. MOUNTING PLATES ON HEADGATE ARE SPACED 35 1/8" C.TO C.



SECTION C-C



SECTION D-D



SCALE: 3/16" = 1" UNLESS OTHERWISE NOTED

COOPERATIVE EXTENSION WORK IN
 AGRICULTURE AND HOME ECONOMICS
 STATE OF MISSISSIPPI
 MISSISSIPPI STATE UNIVERSITY
 AND
 UNITED STATES DEPARTMENT OF AGRICULTURE COOPERATING

MOVABLE HEADGATE

W. VA. '77 6272 SHEET 1 OF 1