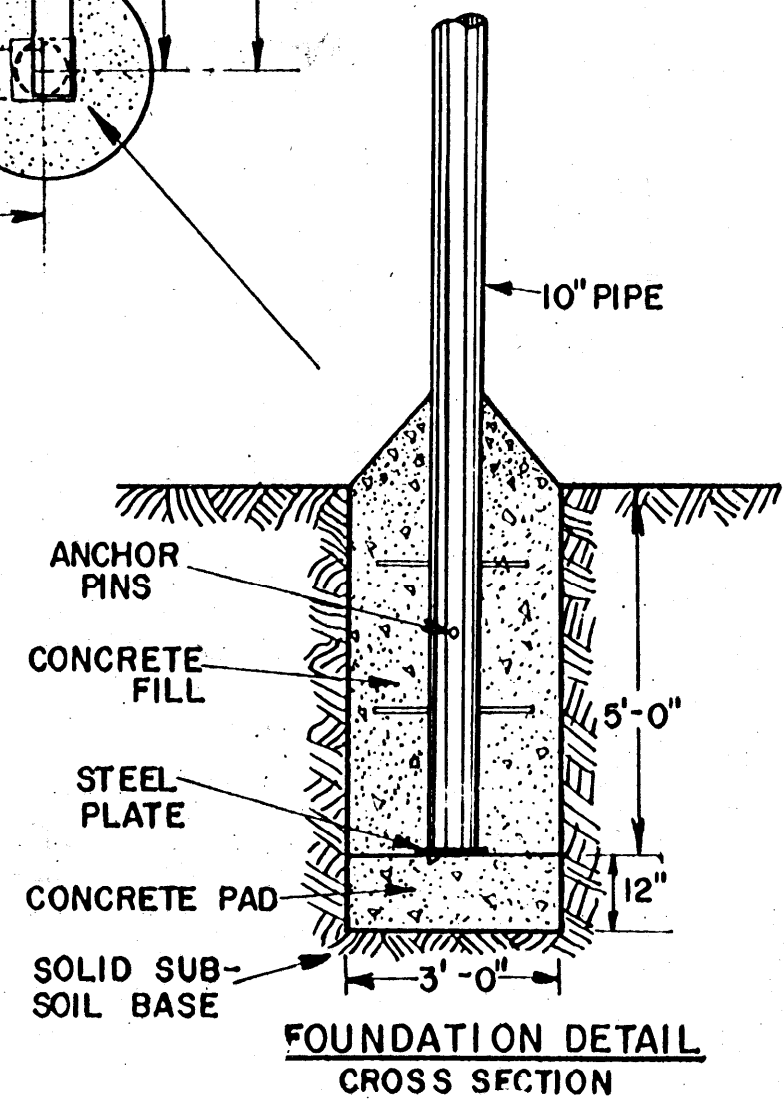
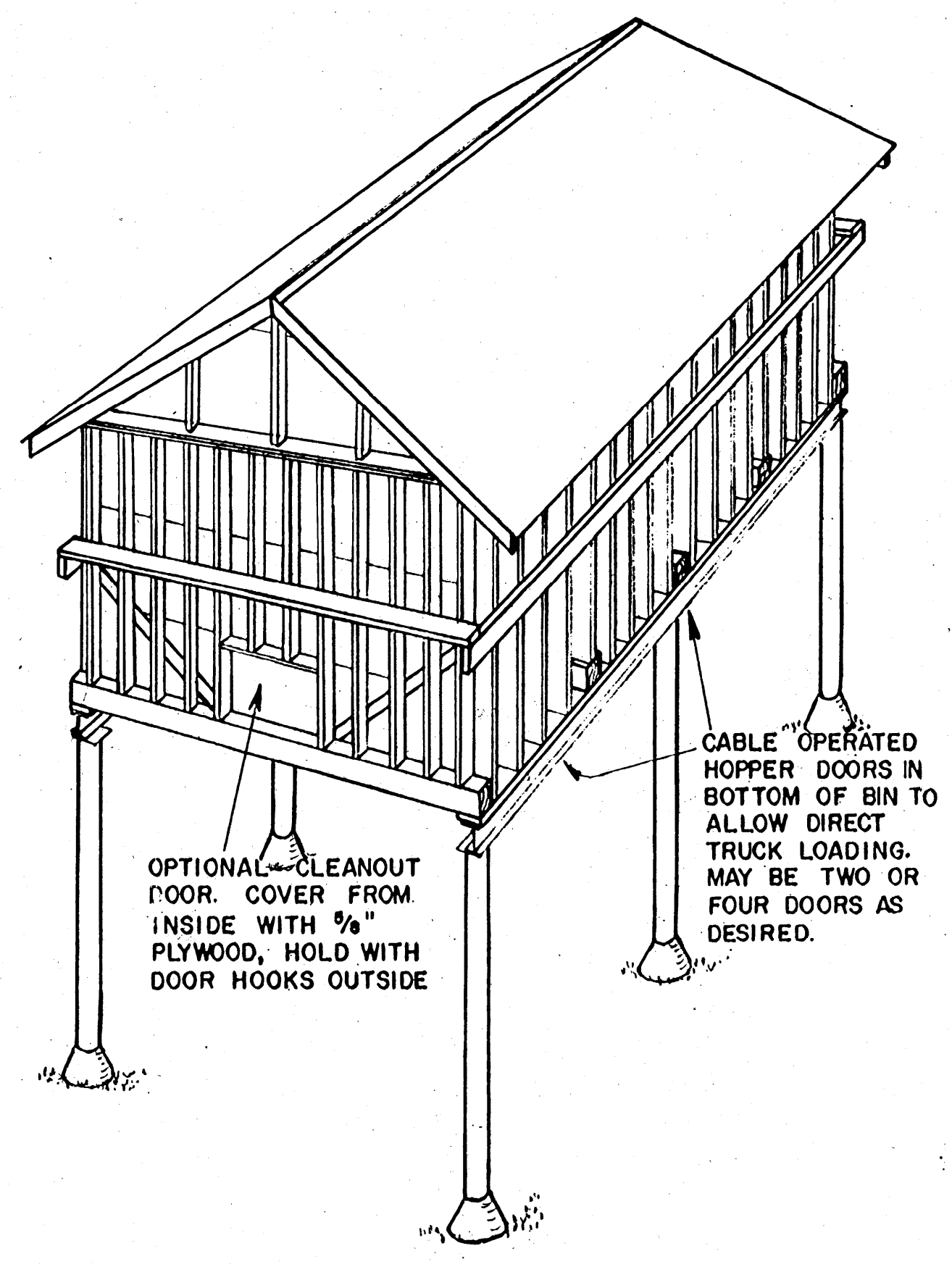


**FOUNDATION PLAN**



**FOUNDATION DETAIL CROSS SECTION**

**NOTE:**  
 CONSULT LOCAL HEALTH AND BUILDING CODE AUTHORITIES BEFORE STARTING CONSTRUCTION.  
 EXTEND FOOTINGS TO FIRM BASE BELOW FROST LINE



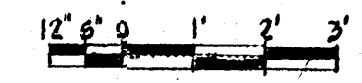
**PERSPECTIVE**

STORAGE BIN FOR SAWDUST FROM SAWMILL  
 DIRECT LOADING INTO LARGE DUMP TRUCKS  
 CLEARANCE 14', EXCEPT FOR HIGH CUBE TRAILERS (13'-6" HIGH)—PROVIDE 16' CLEARANCE

**FINISH**

BIN CAN BE PAINTED, BUT IS BEST LEFT UNFINISHED. PRESERVE WOOD BY APPLICATIONS OF PENTACHLOROPHENOL (PENTA), ESPECIALLY TO PROTECT END GRAIN OF EXPOSED WOODEN PIECES.

3500 CU. FT.

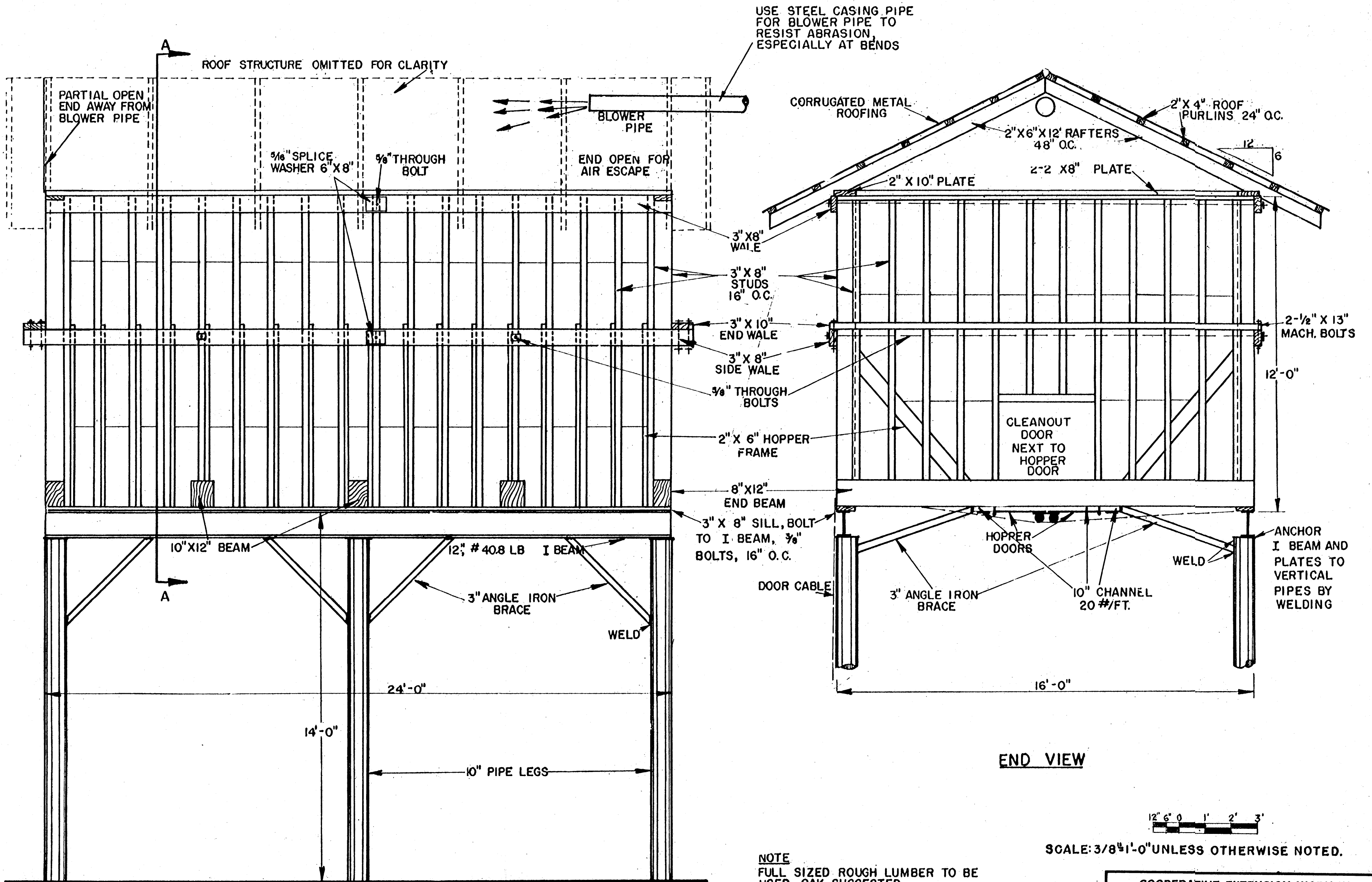


SCALE: 3/8"=1'-0" UNLESS OTHERWISE NOTED.

DESIGN FROM BIN BUILT BY WADE COCHRAN, MCKEAN COUNTY

PLAN LAYOUT IN CONSULTATION WITH ROE S. COCHRAN

COOPERATIVE EXTENSION WORK IN AGRICULTURE AND HOME ECONOMICS		
STATE OF MISSISSIPPI		
MISSISSIPPI STATE UNIVERSITY		
AND UNITED STATES DEPARTMENT OF AGRICULTURE COOPERATING		
<b>ELEVATED SAWDUST BIN</b>		
PA '77	6276	SHEET 1 OF 3



SIDE VIEW

END VIEW



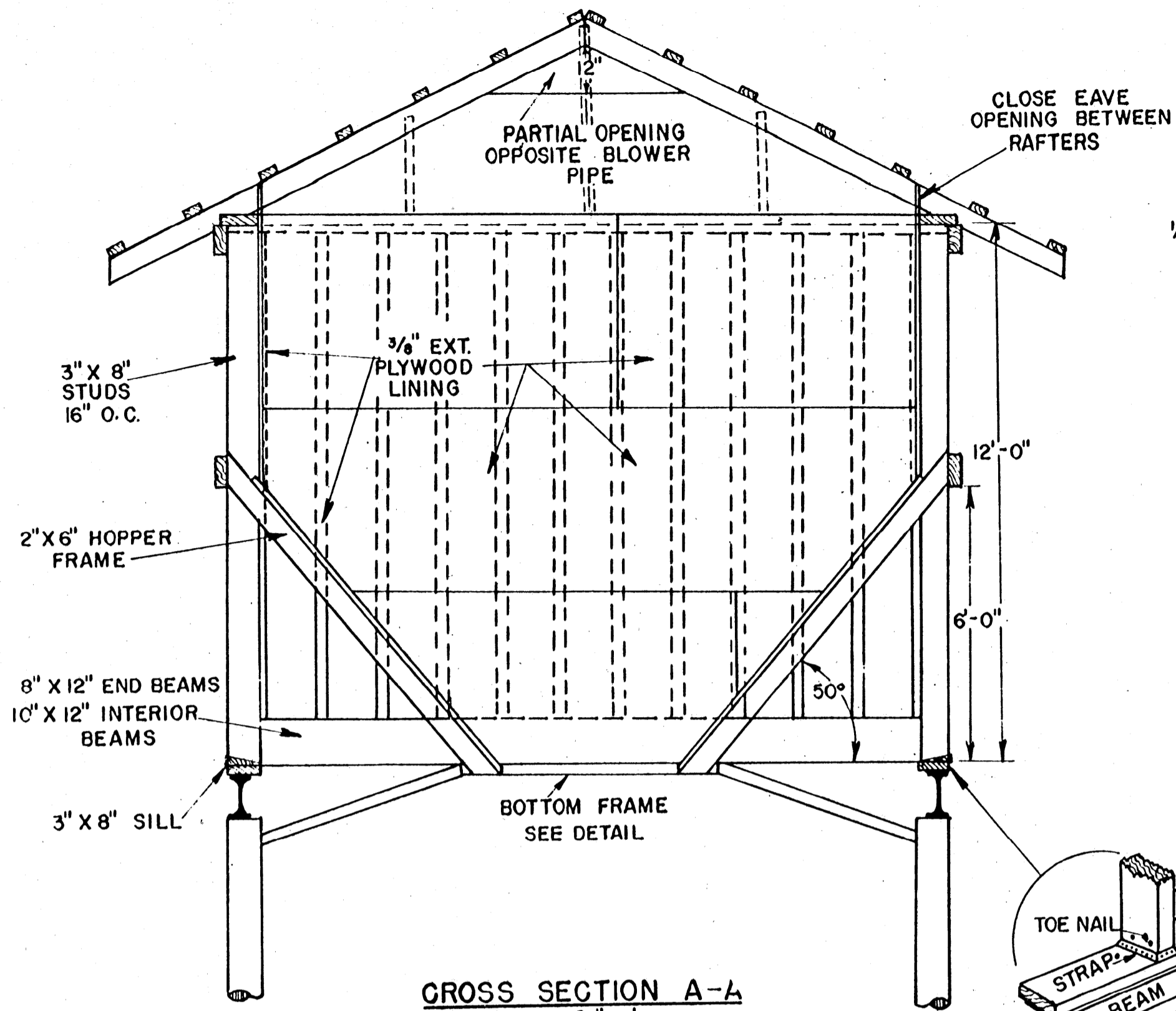
SCALE: 3/8" = 1'-0" UNLESS OTHERWISE NOTED.

NOTE  
 FULL SIZED ROUGH LUMBER TO BE USED, OAK SUGGESTED.  
 BIN LINER - 5/8" EXT. PLYWOOD OR 1" LUMBER LINED WITH 28 GAUGE GALVANIZED STEEL.

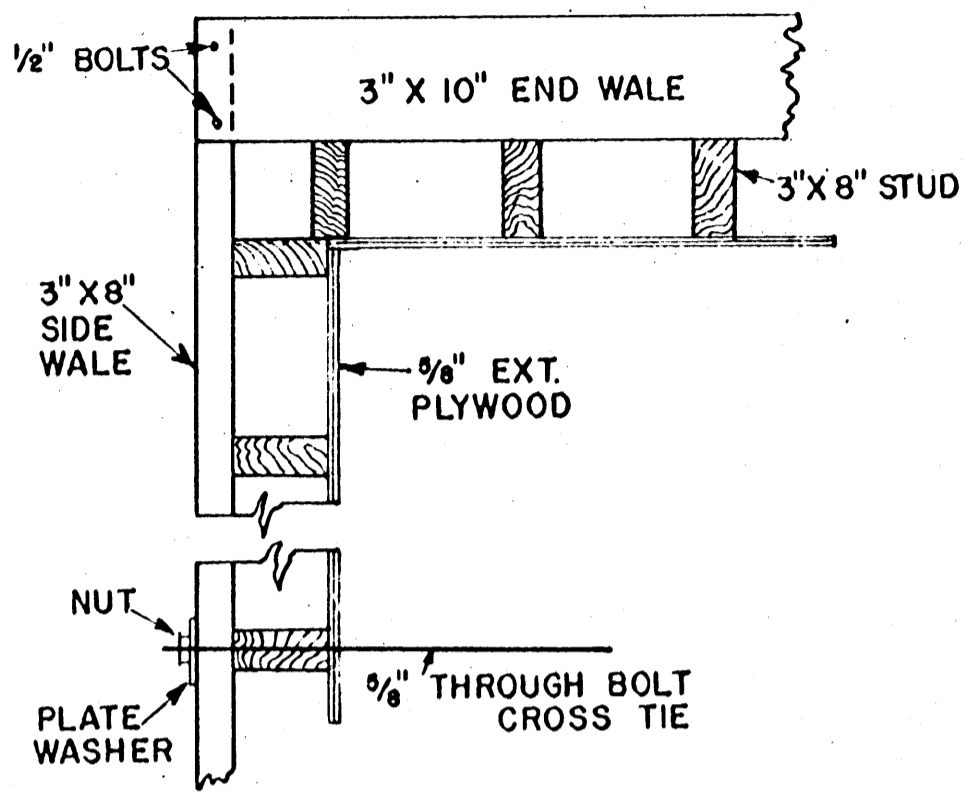
COOPERATIVE EXTENSION WORK IN  
 AGRICULTURE AND HOME ECONOMICS  
 STATE OF MISSISSIPPI  
 MISSISSIPPI STATE UNIVERSITY  
 AND  
 UNITED STATES DEPARTMENT OF AGRICULTURE COOPERATING

**ELEVATED SAWDUST BIN**

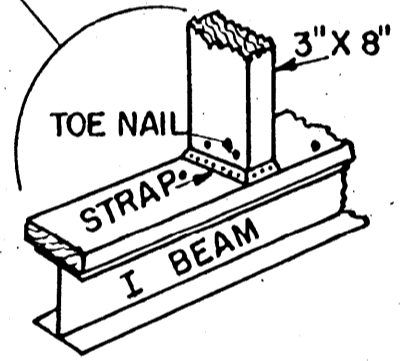
PA	'77	6 276	SHEET 2 OF 3
----	-----	-------	--------------



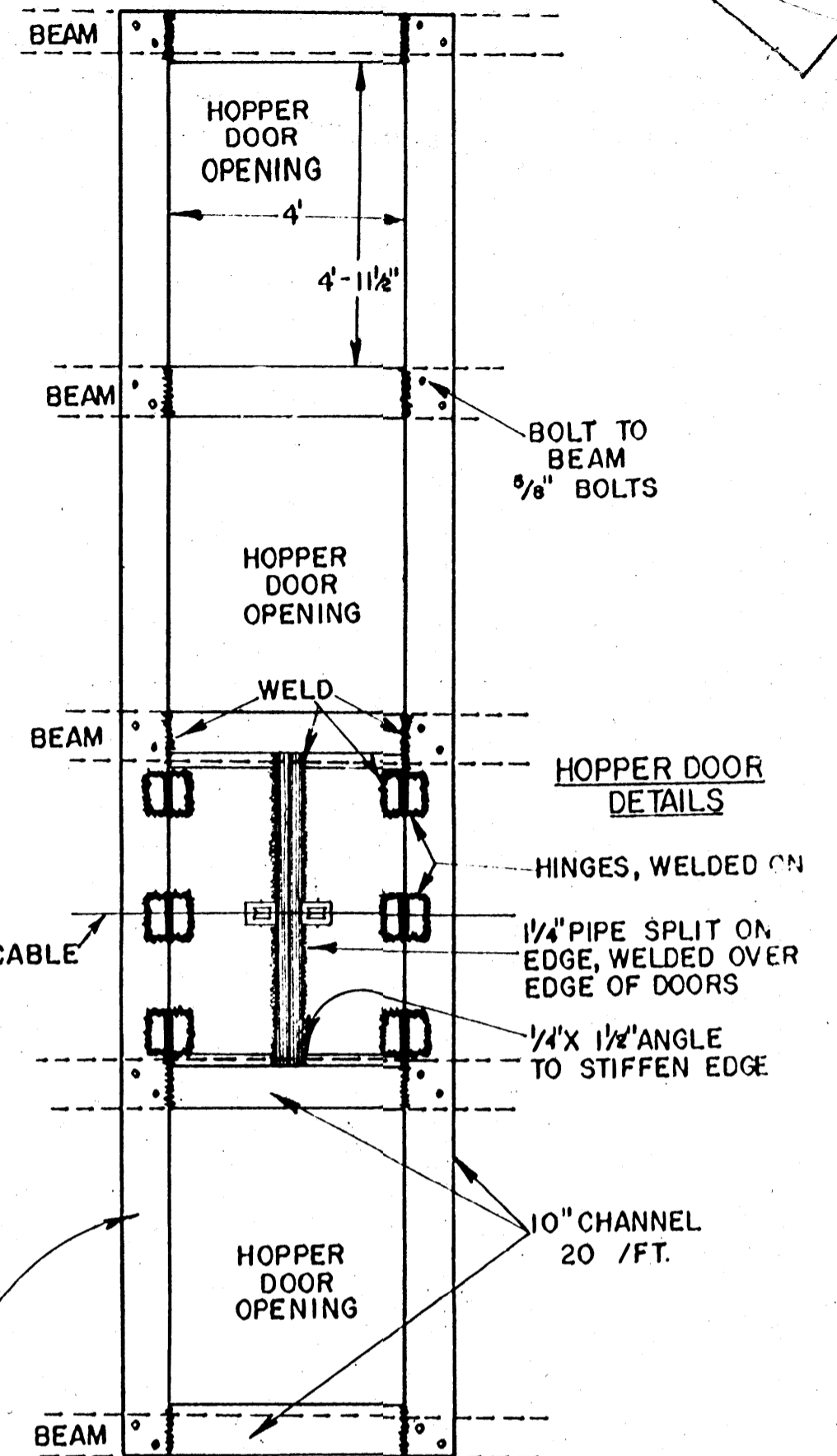
**CROSS SECTION A-A**  
SCALE: 3/8" = 1'  
12' 6" 0 1 2 3'



**WALL & CORNER DETAIL**



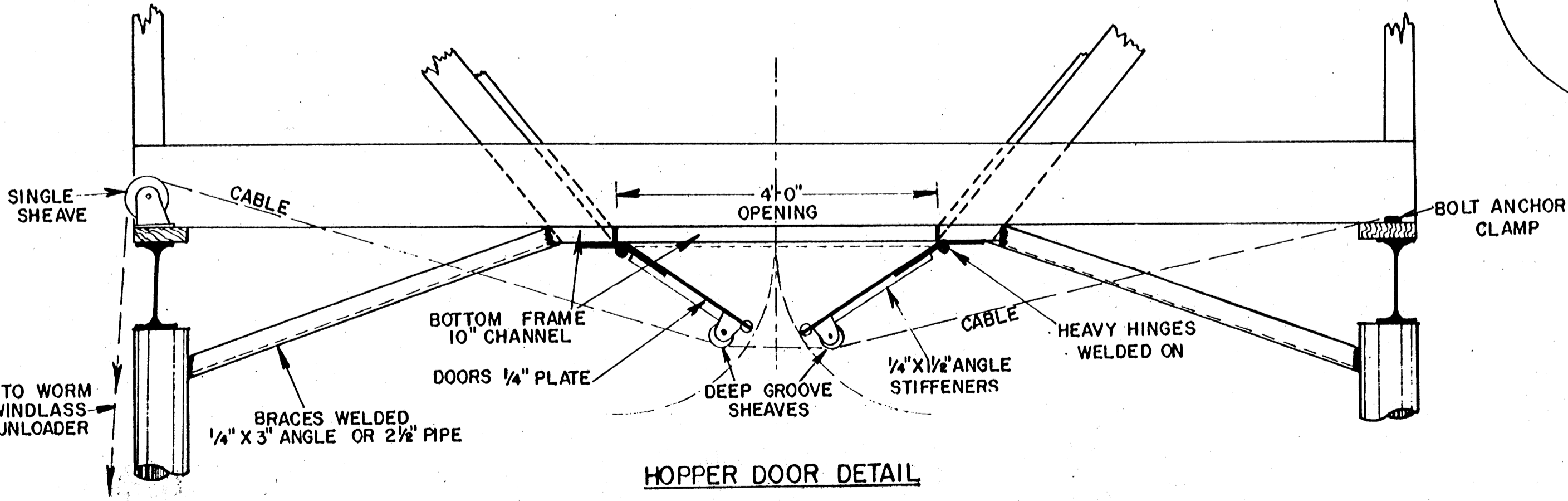
**STUD DETAIL**  
TOENAIL TO SILL, USE 24" PIPE STRAP TO HOLD END OF STUD, BEND ENDS OVER EDGE OF SILL AND NAIL.



**BOTTOM FRAME DETAIL**  
VIEW FROM BELOW

SCALE: 3/8" = 1'  
12' 6" 0 1 2 3'

NOTE: FOUR HOPPER DOORS WORK BEST, BUT TWO CAN BE USED. IN HOPPER OPENINGS WITHOUT DOORS, USE A FLOOR OF 2' OAK PLANKS.



**HOPPER DOOR DETAIL**

SCALE: 3/4" = 1'-0" UNLESS OTHERWISE NOTED.

COOPERATIVE EXTENSION WORK IN  
AGRICULTURE AND HOME ECONOMICS  
STATE OF MISSISSIPPI  
MISSISSIPPI STATE UNIVERSITY  
AND  
UNITED STATES DEPARTMENT OF AGRICULTURE COOPERATING

**ELEVATED SAWDUST BIN**

PA.	'77	6276	SHEET 3 OF 3
-----	-----	------	--------------