

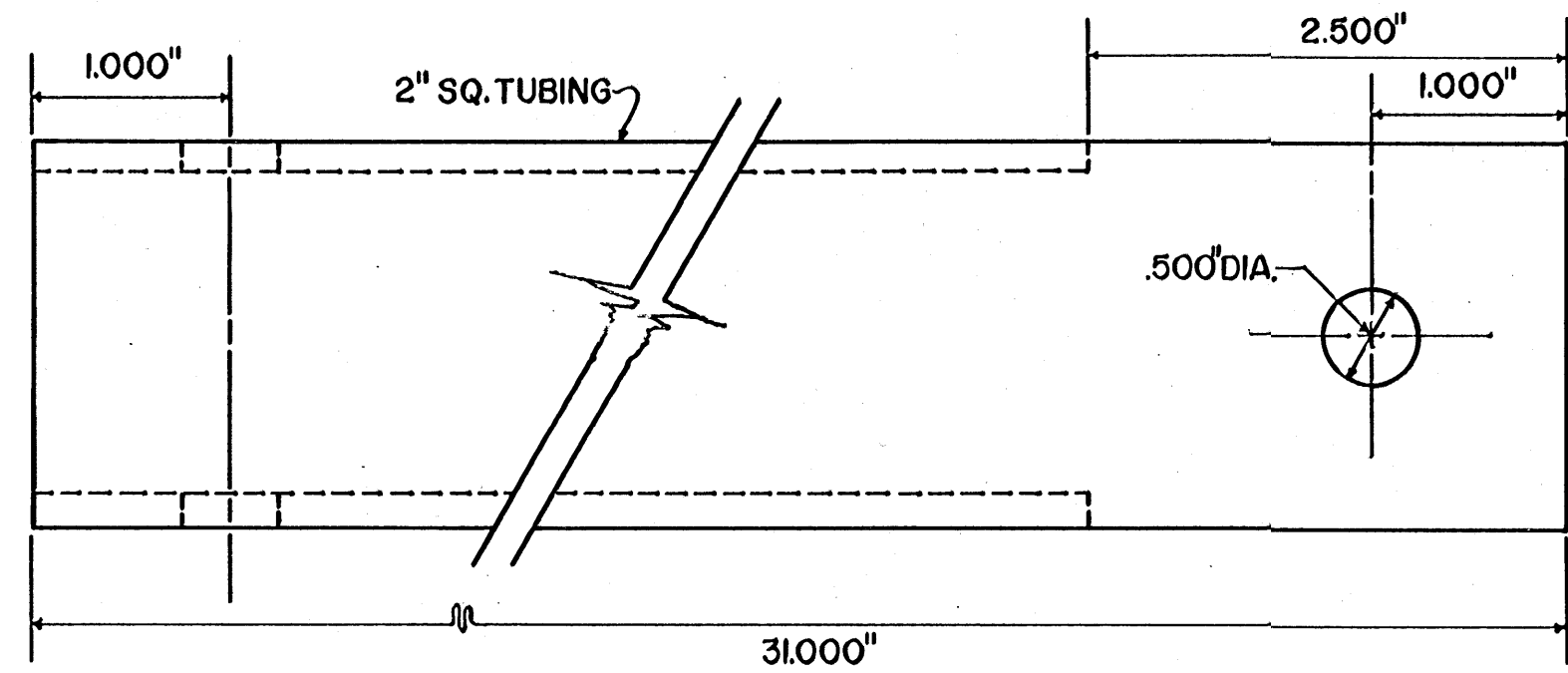
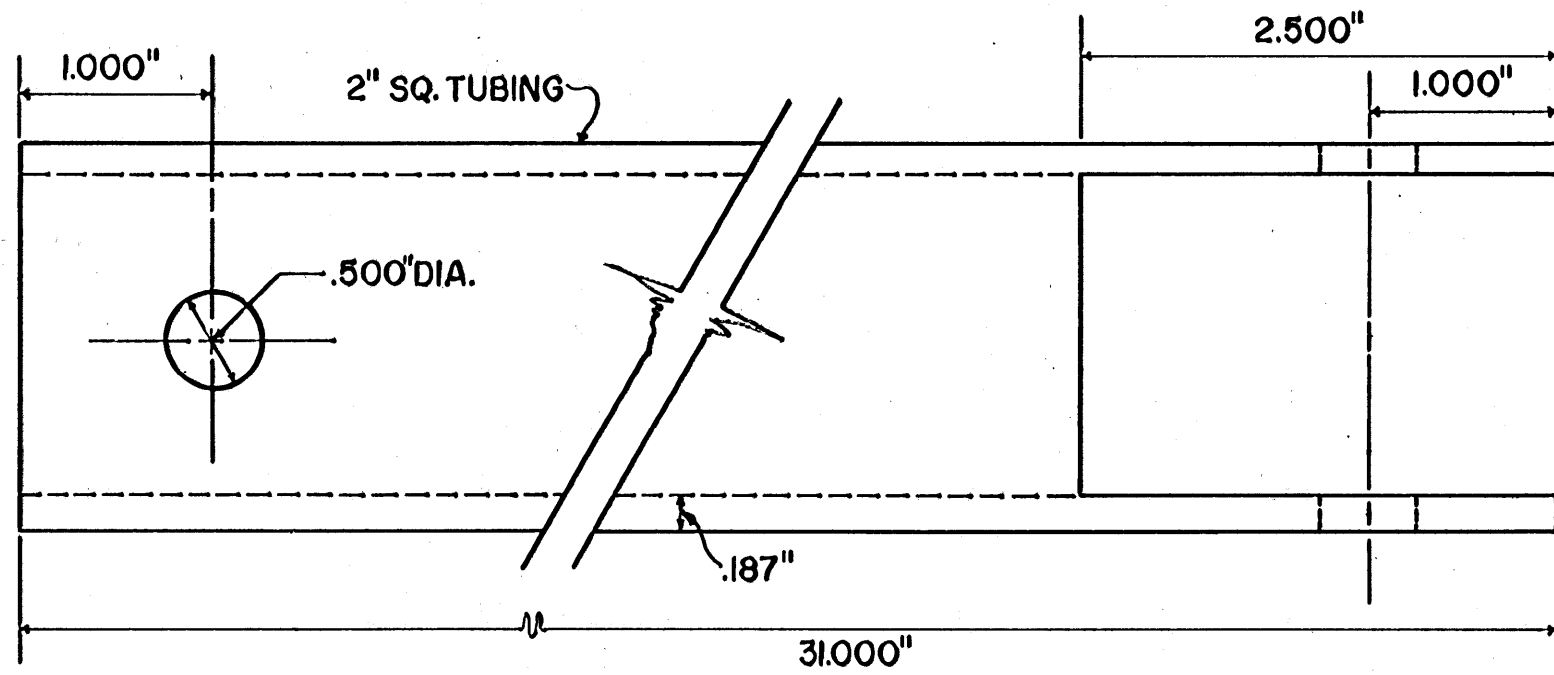
BASED ON: UNIV. OF FLA. PLAN NO. 1081

COOPERATIVE EXTENSION WORK IN
 AGRICULTURE AND HOME ECONOMICS
 STATE OF MISSISSIPPI
 MISSISSIPPI STATE UNIVERSITY
 AND
 UNITED STATES DEPARTMENT OF AGRICULTURE COOPERATING

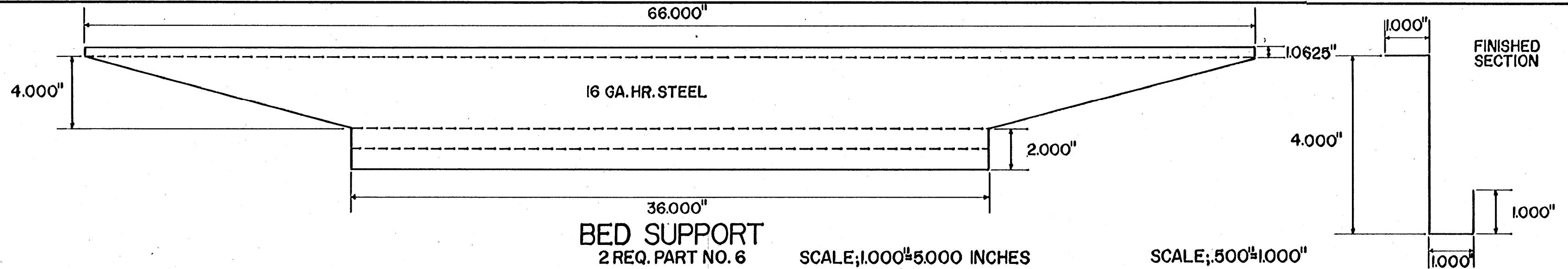
**NURSERY WAGON
 FOUR WHEEL STEER**

FLA.	'78	6293	SHEET 1 OF 5
------	-----	------	--------------

HANDLE
1 REQ. PART NO. 25
NOT TO SCALE



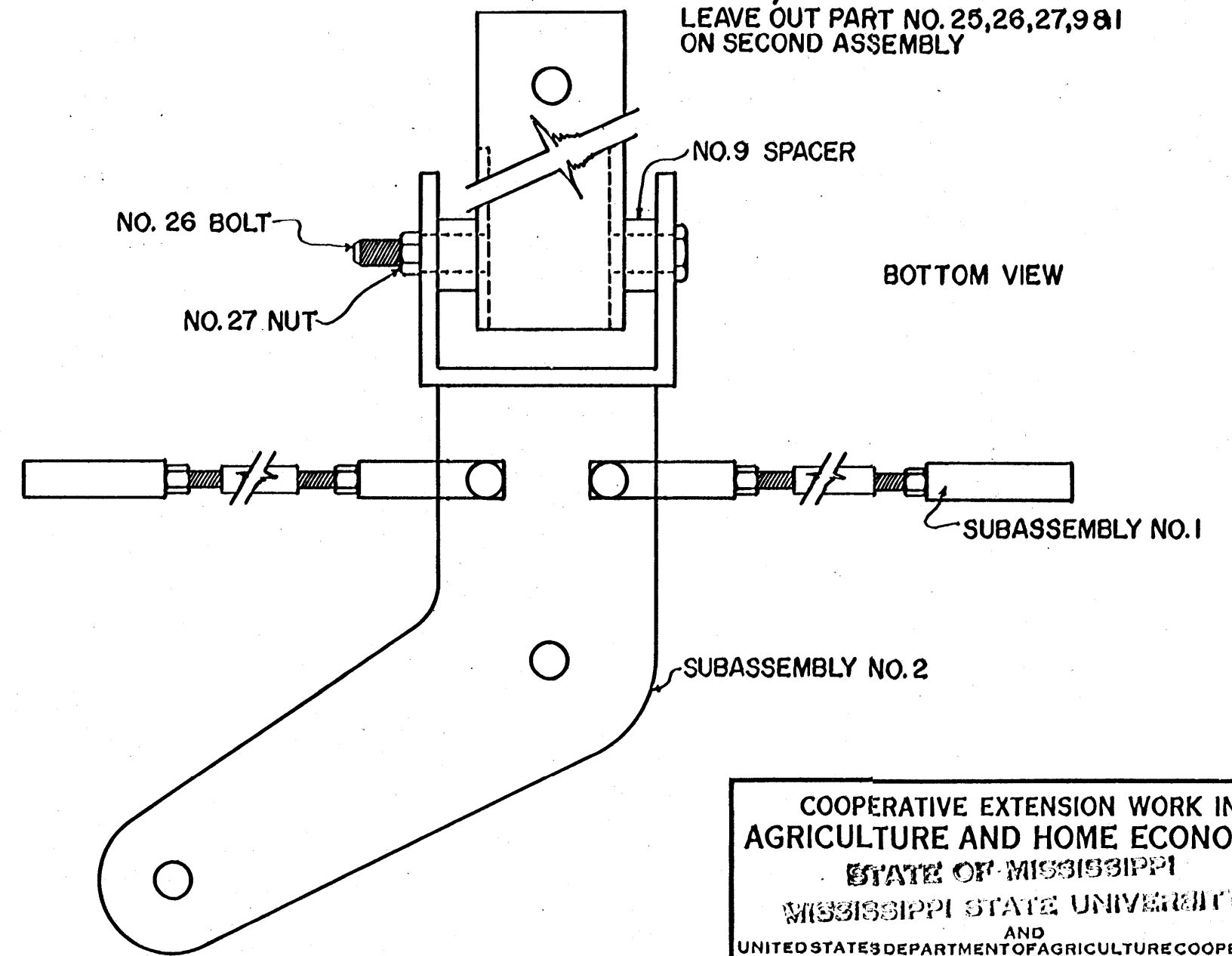
1.) CUT OUT TWO PIECES FROM 16 GA. HR. STEEL.
2.) BEND ON BROKEN LINES TO SECTION SHOWN.



PARTS LIST

PART NUMBER	DESCRIPTION	NUMBER REQUIRED	P=PURCHASE M=MAKE
#1	TONGUE MOUNTING "U" PLATE	1	M
#2	WHEEL SHAFT	4	M
#3	DOG LEG PLATE	2	M
#4	STEERING ARM LEVER	4	M
#5	BED SUPPORT STIFFENER	2	M
#6	BED SUPPORT	2	M
#7	STEERING ROD	1	M
#8	TIE ROD	4	M
#9	SPACER	4	M
#10	SMALL BUSHING	4	M
#11	SLEEVE	4	M
#12	AXLE	2	M
#13	PIVOT ROD	2	M
#14	AXLE REINFORCER	4	M
#15	LARGE BUSHING	4	M
#16	TIE ROD END (INT. HARVESTER NO. 529 430-RI OR EQUAL)	10	P
#17	1/2" N.F. 20 NUT	10	P
#18	1/2" x 1/2" N.F. 20 BOLT WITH HEAD REMOVED	10	P&M
#19	3/8" I.I.N.C. CASTLE NUT	4	P
#20	4.00 x 8 WHEEL AND TIRE WITH SELF LUBRICATING BEARINGS; 3/8" BORE ON OUTSIDE BEARING, 1" BORE ON INSIDE	4	P&M
#21	WASHER	4	M
#22	3/8" x 1" I.I.N.C. CAP SCREW	4	P
#23	1/2" I.I.N.C. CASTLE NUT	2	P
#24	WASHER-3/8" INSIDE BORE, 1" O.D., 1/16" *THICK	4	P
#25	HANDLE	1	M
#26	1/2" x 4" N.F. 20 BOLT	1	P
#27	1/2" N.F. 20 NUT	1	P
#28	WASHER	4	M

NOTE;
LEAVE OUT PART NO. 25, 26, 27, 9 & 1
ON SECOND ASSEMBLY

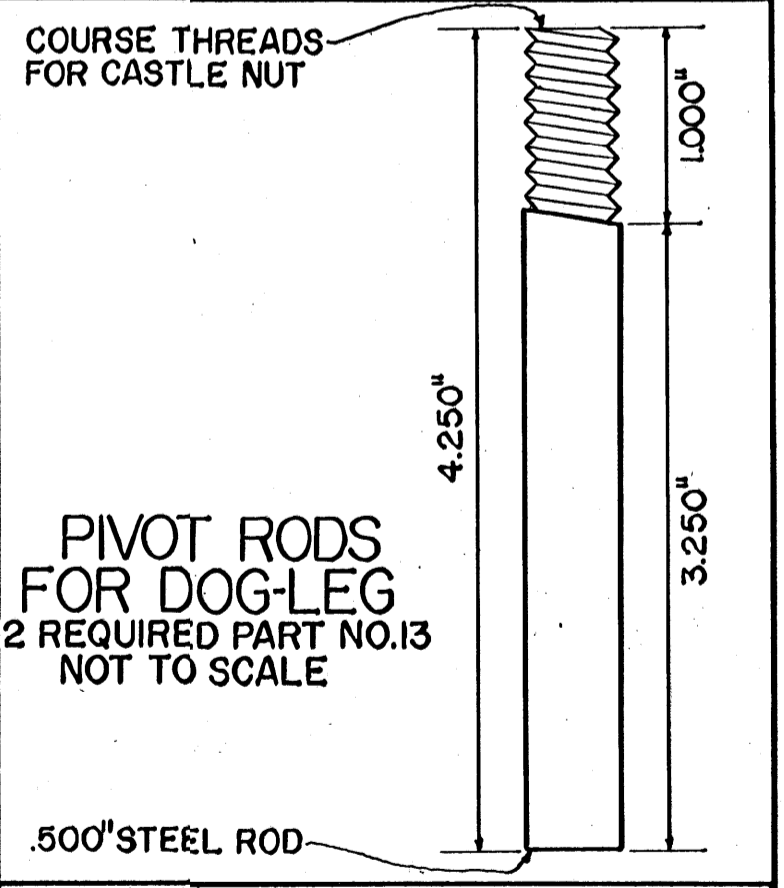
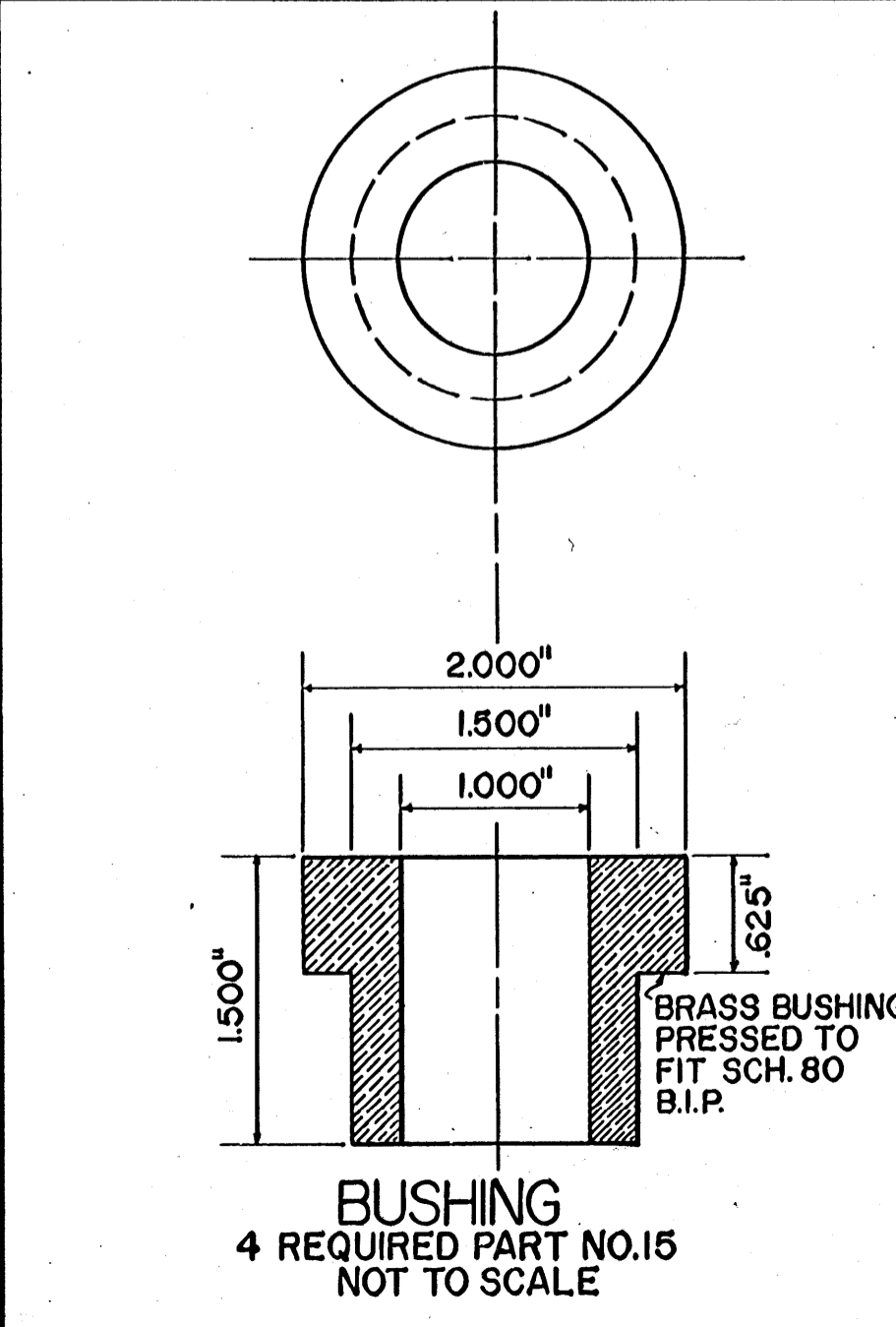
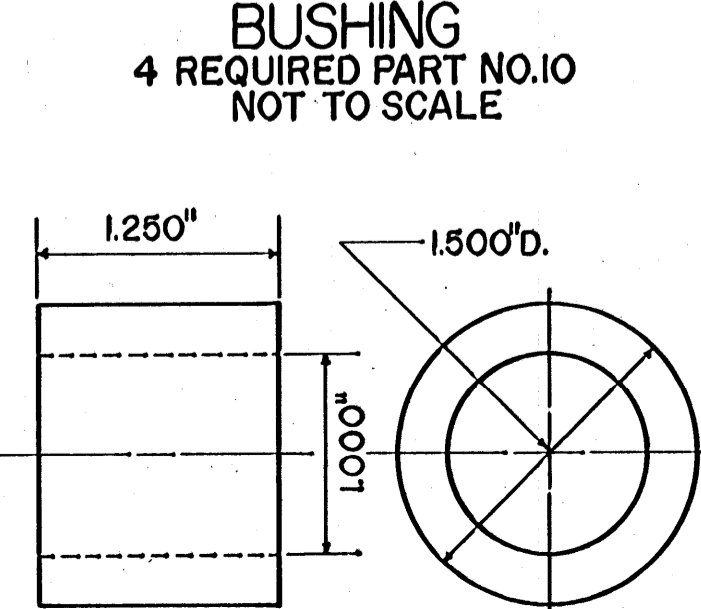
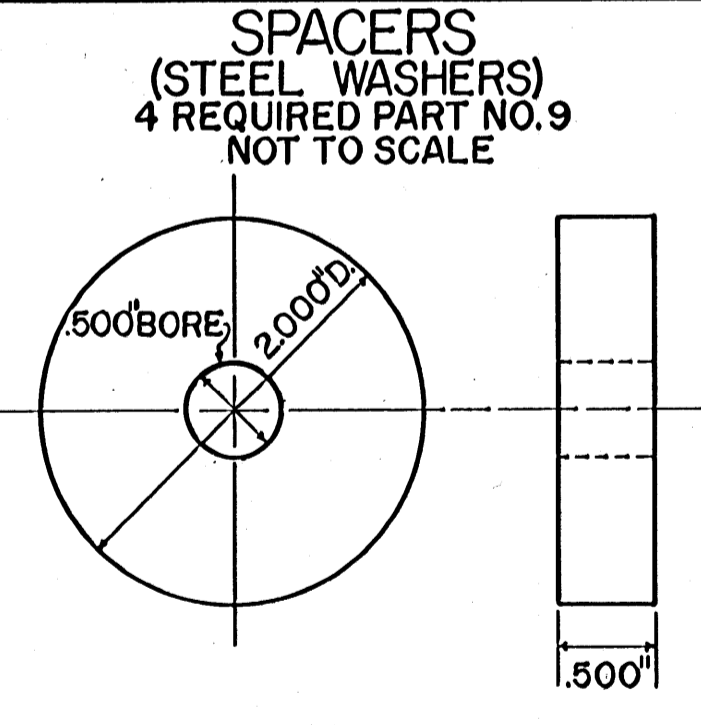
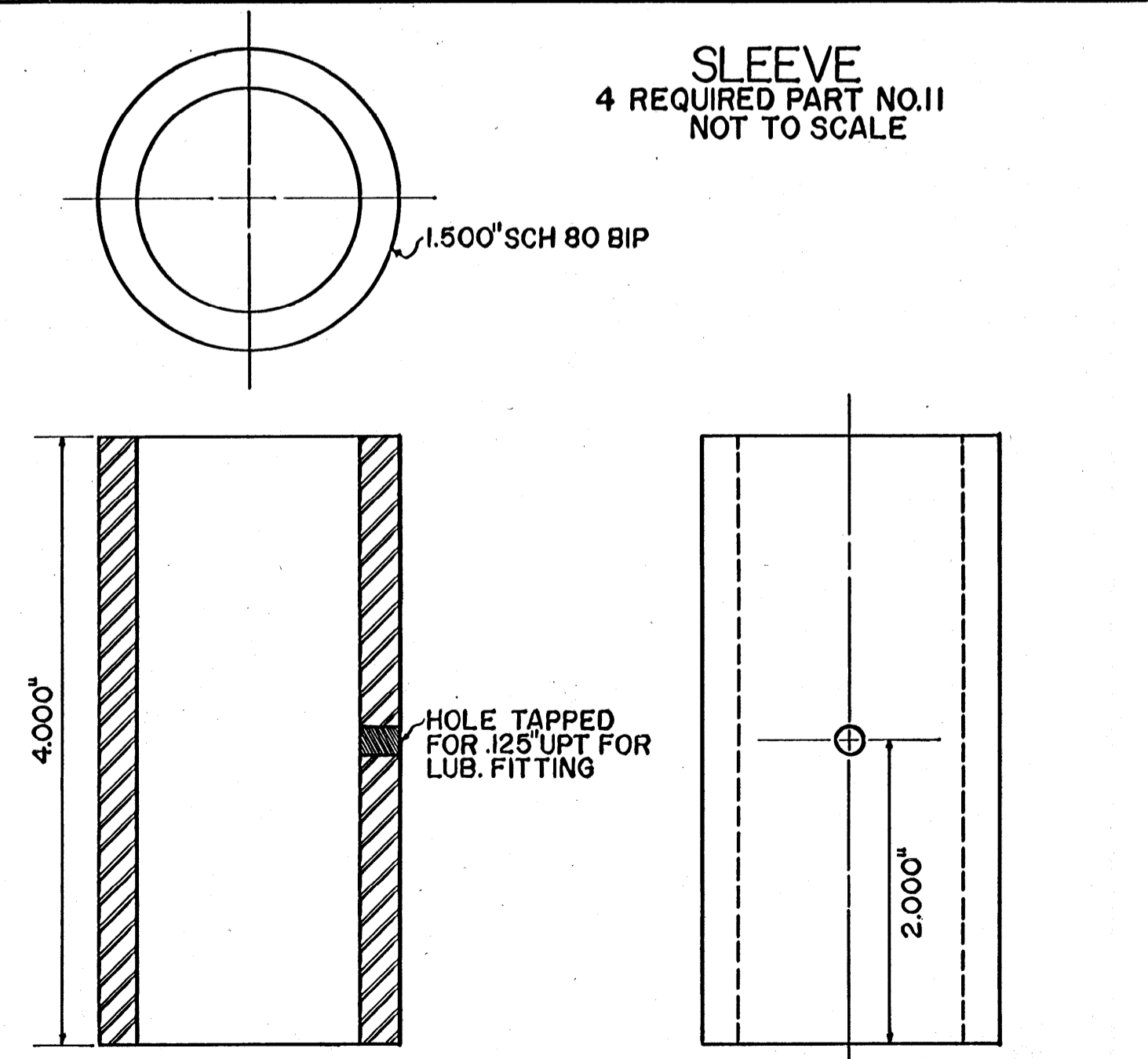
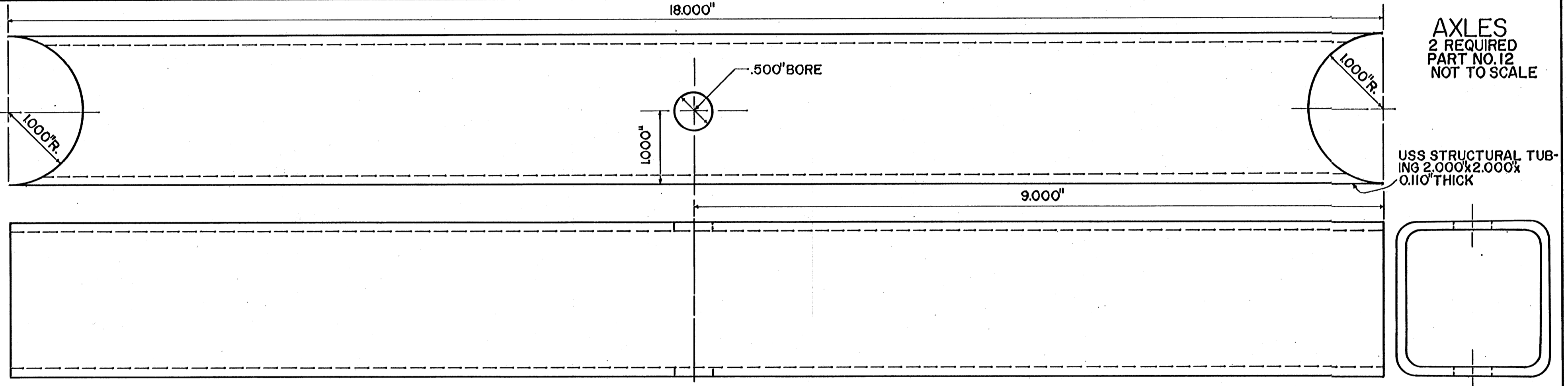
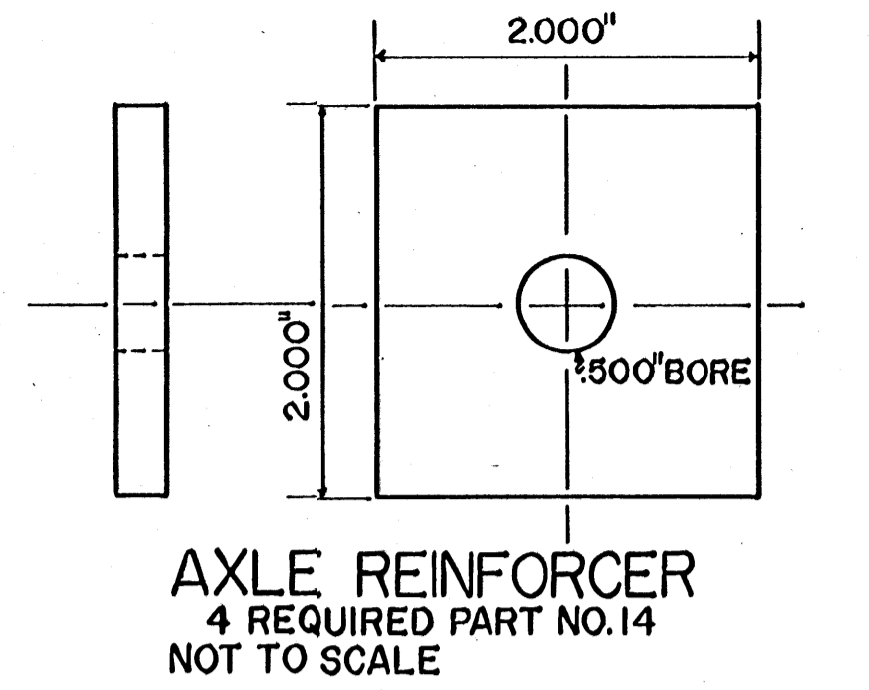
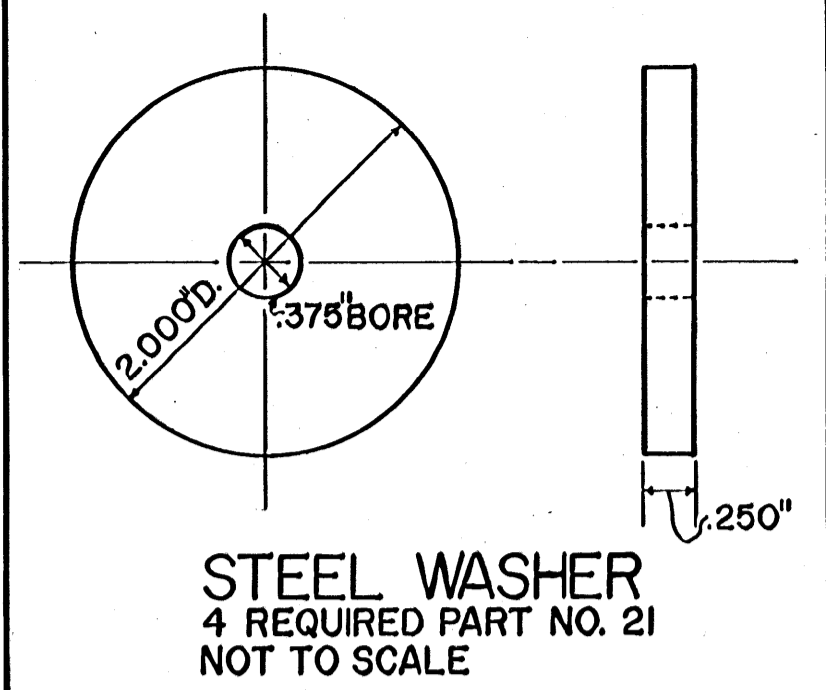
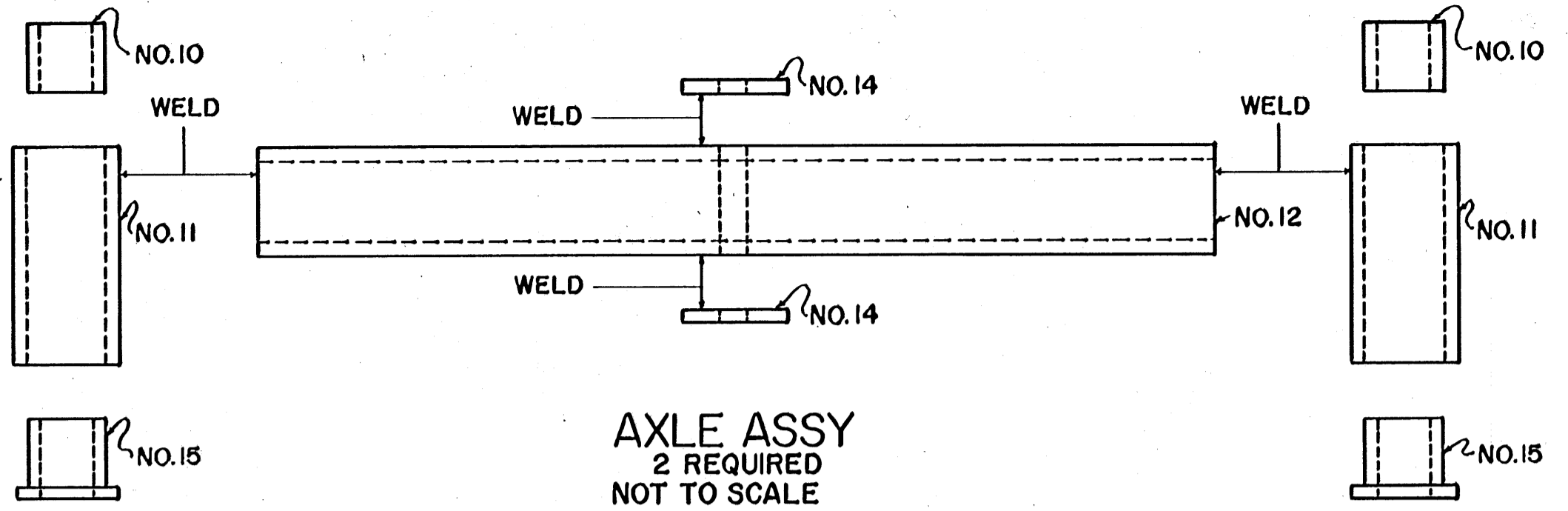


HANDLE ASSEMBLY
2 REQUIRED
SCALE; 500 = 1,000 INCH

COOPERATIVE EXTENSION WORK IN
AGRICULTURE AND HOME ECONOMICS
STATE OF MISSISSIPPI
MISSISSIPPI STATE UNIVERSITY
AND
UNITED STATES DEPARTMENT OF AGRICULTURE COOPERATING

NURSERY WAGON
FOUR WHEEL STEER

FLA.	'78	6293	SHEET 2 OF 5
------	-----	------	--------------

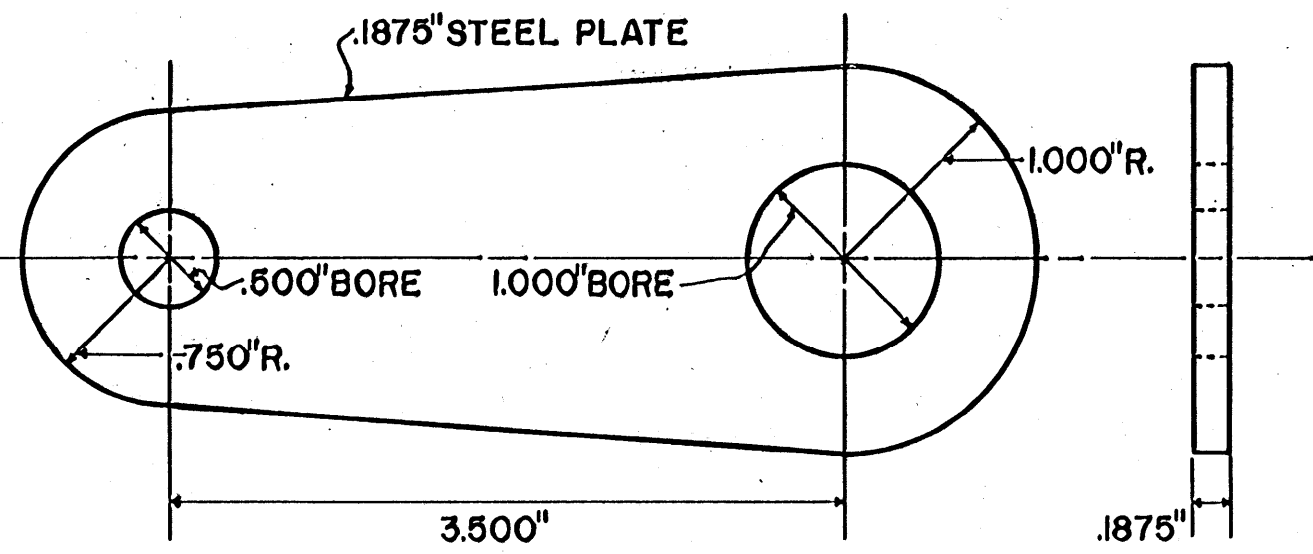


COOPERATIVE EXTENSION WORK IN
AGRICULTURE AND HOME ECONOMICS
STATE OF MISSISSIPPI
MISSISSIPPI STATE UNIVERSITY
AND
UNITED STATES DEPARTMENT OF AGRICULTURE COOPERATING

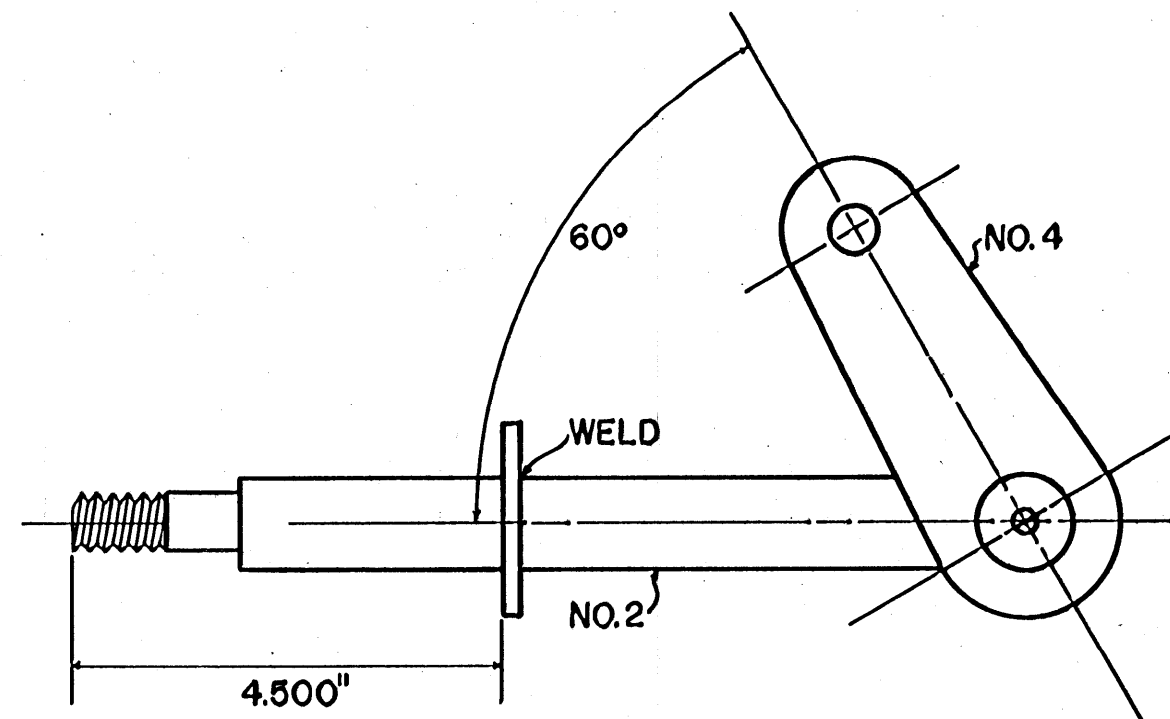
**NURSERY WAGON
FOUR WHEEL STEER**

FLA.	'78	6293	SHEET 3 OF 5
------	-----	------	--------------

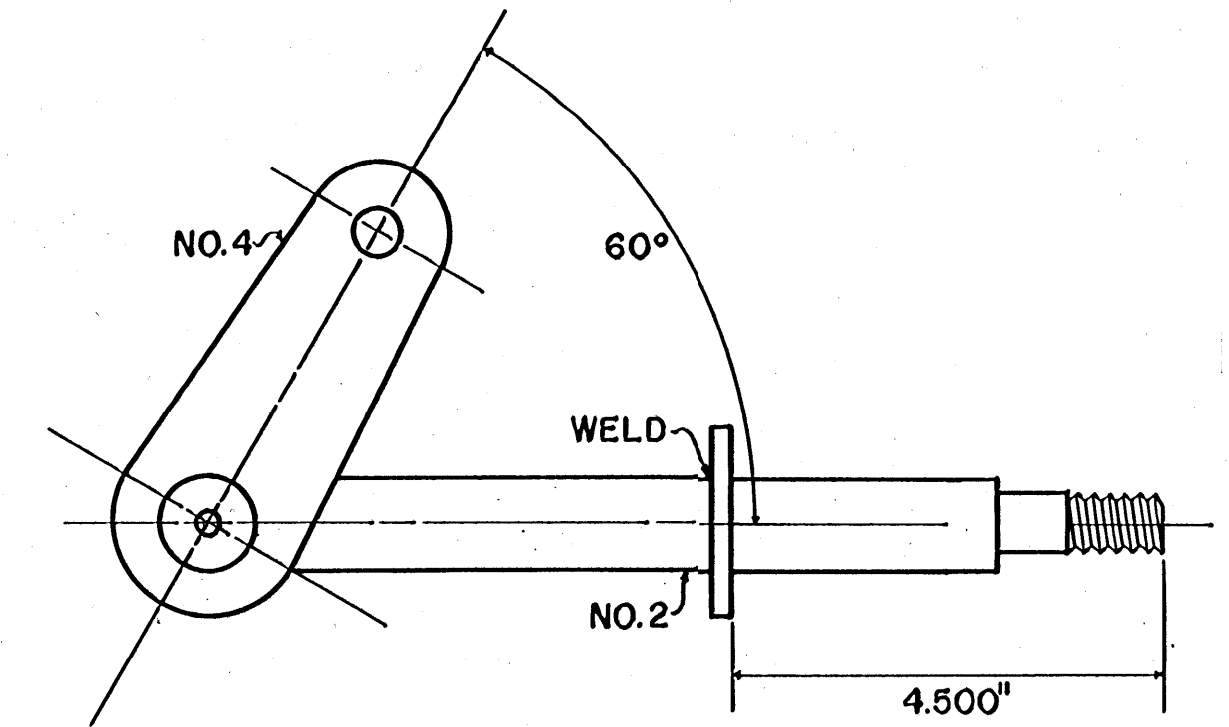
STEERING ARM LEVER
4 REQUIRED PART NO.4
NOT TO SCALE



LEFT FRONT & RIGHT REAR WHEEL SHAFT ASSY.
2 REQUIRED
SCALE;.500=1.000 INCH



RIGHT FRONT & LEFT REAR WHEEL SHAFT ASSY.
2 REQUIRED
SCALE;.500=1.000 INCH



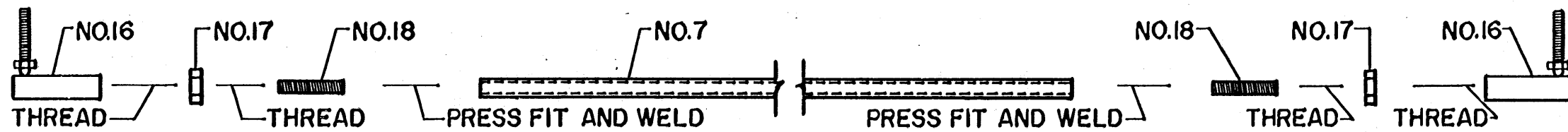
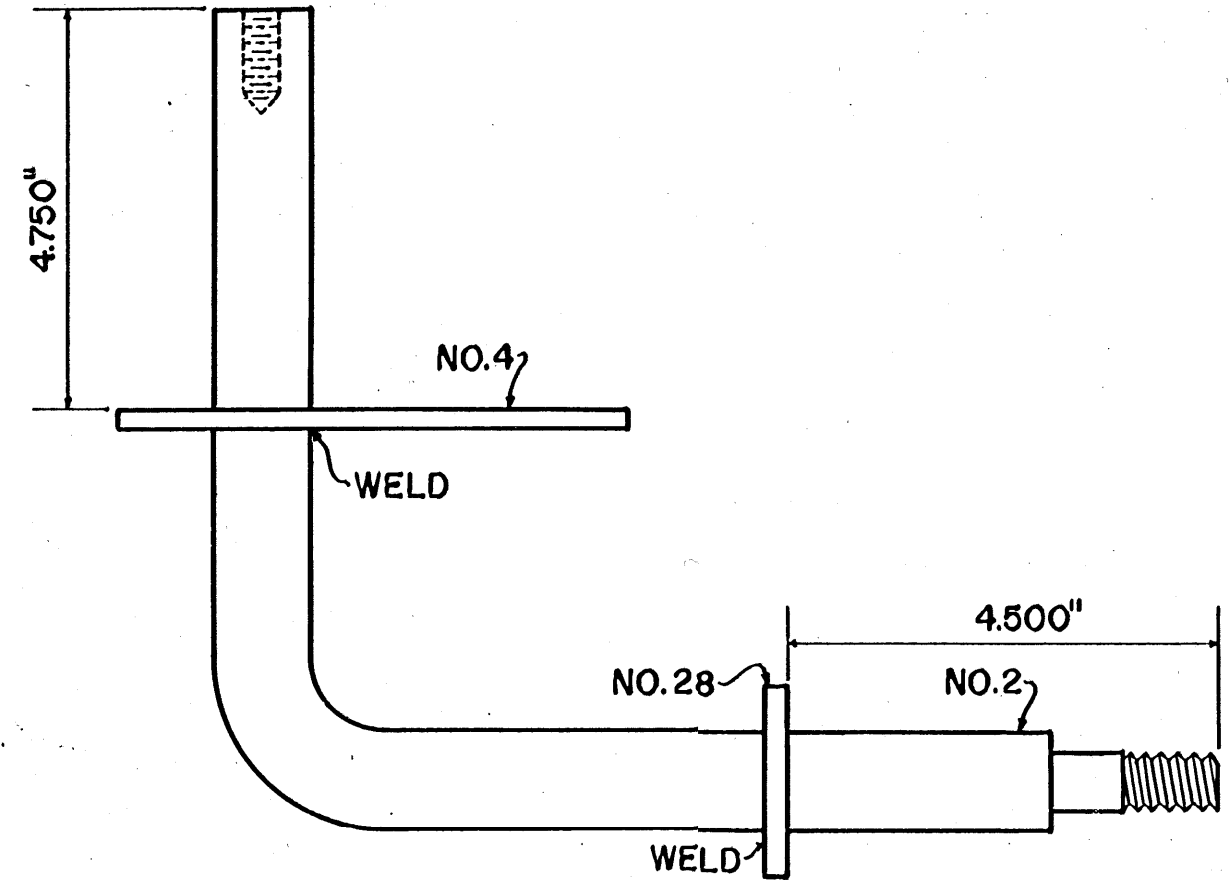
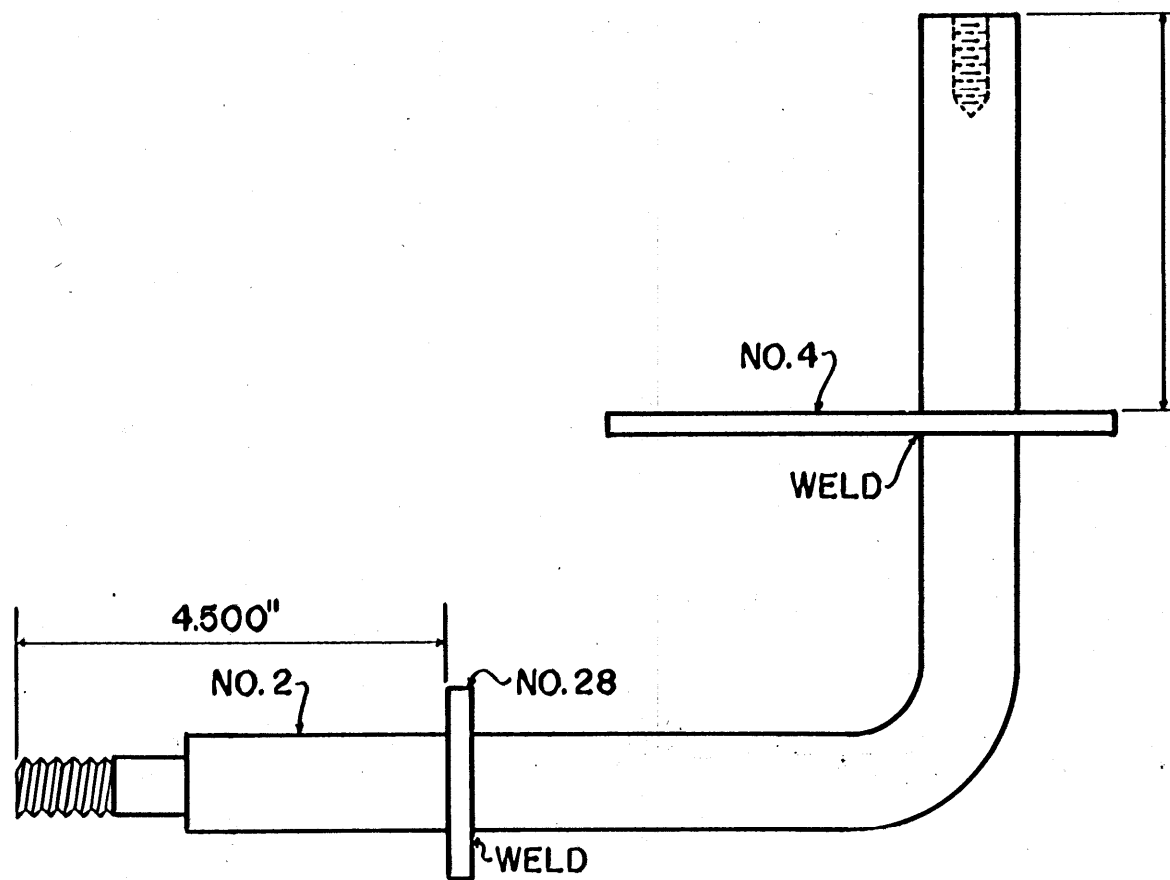
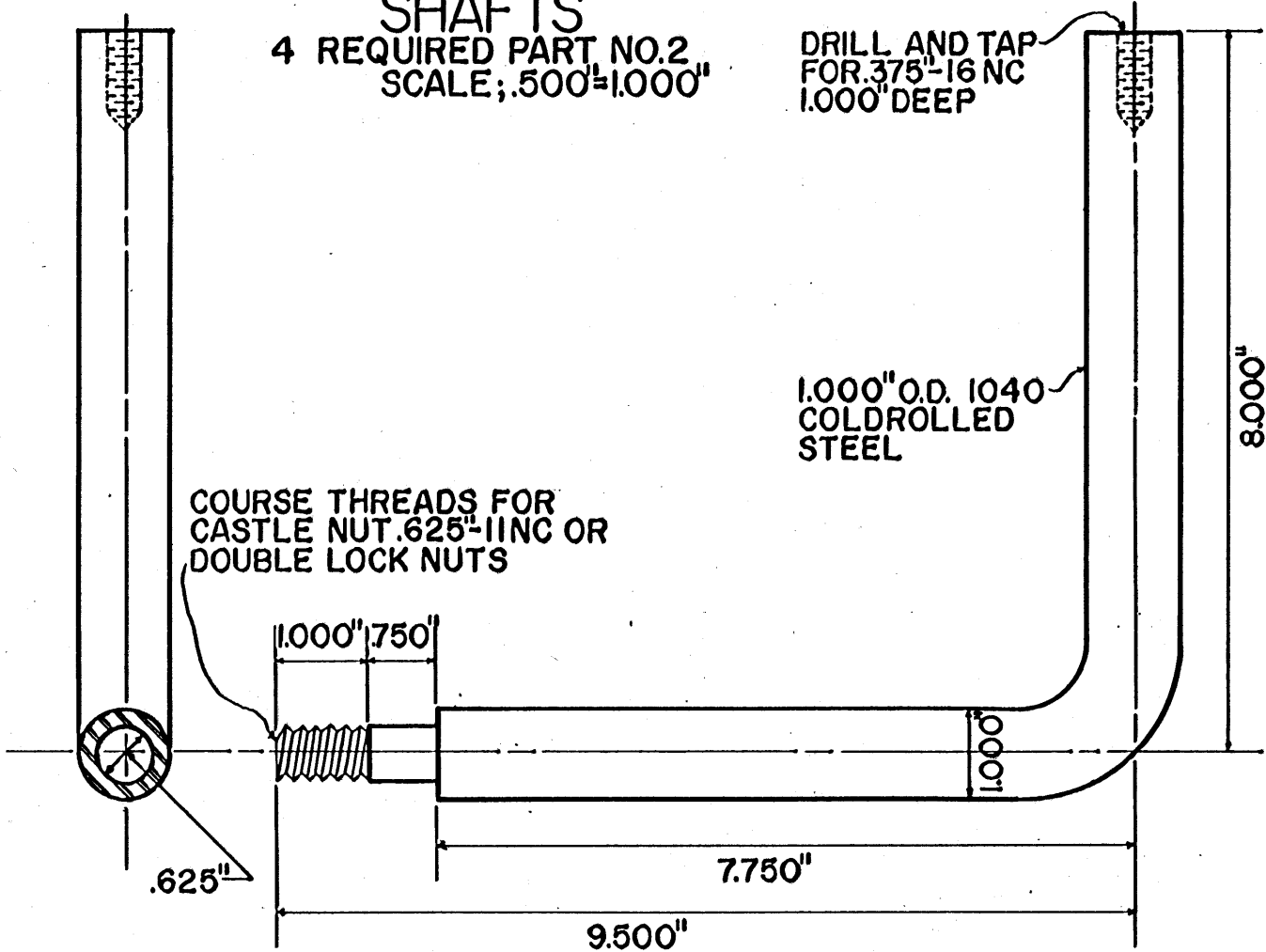
SHAFTS

4 REQUIRED PART NO.2
SCALE;.500=1.000"

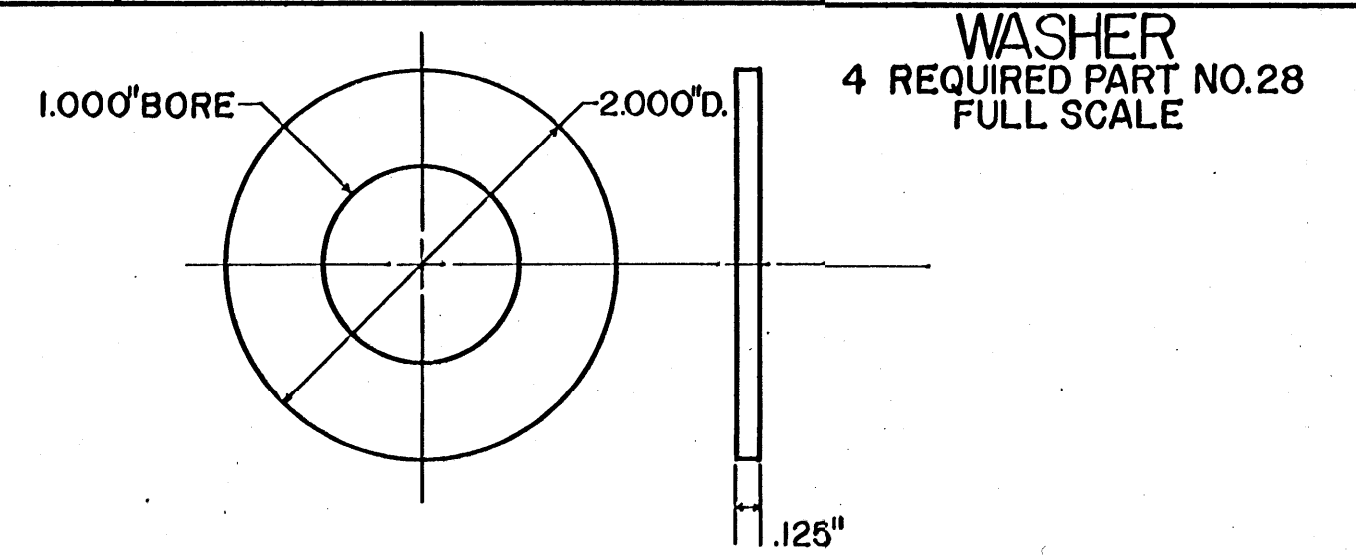
DRILL AND TAP FOR .375-16 NC
1.000" DEEP

1.000" O.D. 1040
COLDROLLED
STEEL

COURSE THREADS FOR
CASTLE NUT .625-11 NC OR
DOUBLE LOCK NUTS

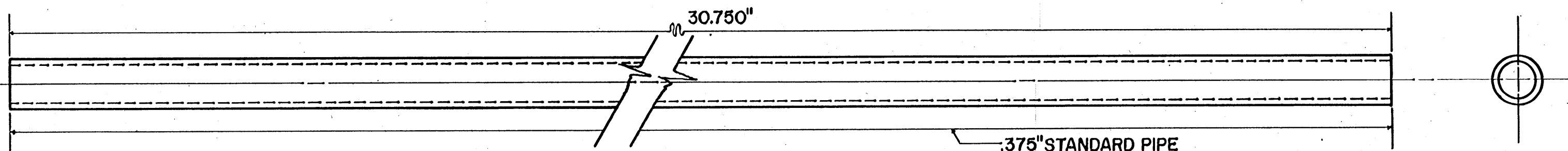


STEERING ROD ASSEMBLY
1 REQUIRED
SCALE;.500=1.000 INCH

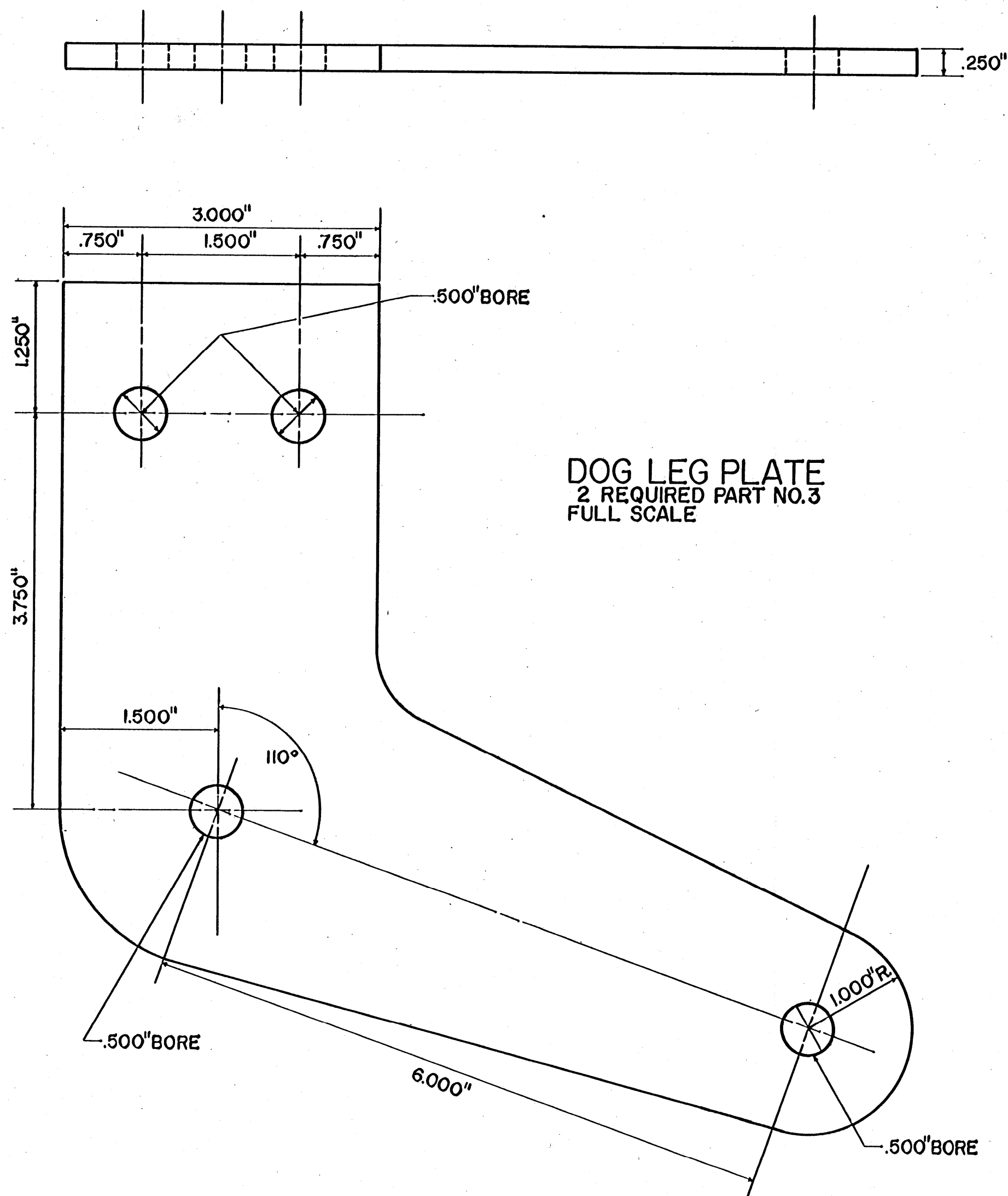


WASHER
4 REQUIRED PART NO.28
FULL SCALE

STEERING ROD
1 REQUIRED PART NO.7
FULL SCALE

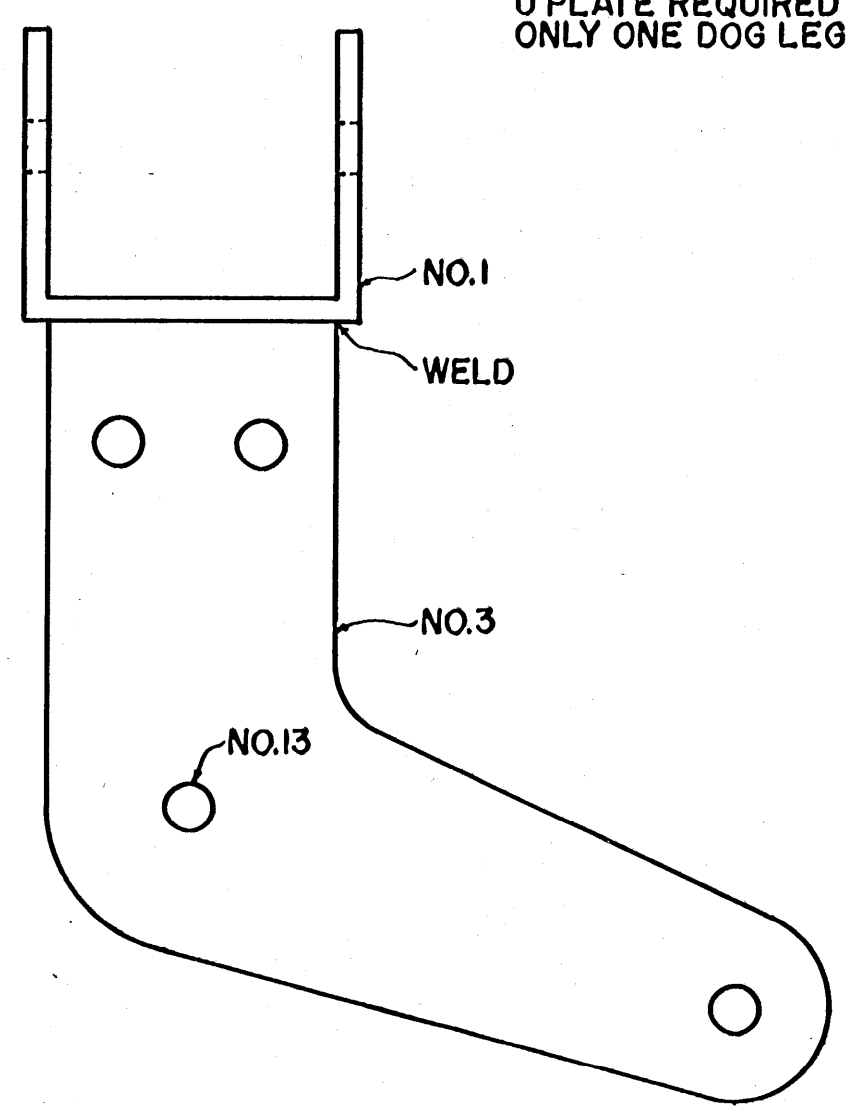


COOPERATIVE EXTENSION WORK IN
AGRICULTURE AND HOME ECONOMICS
STATE OF MISSISSIPPI
MISSISSIPPI STATE UNIVERSITY
AND
UNITED STATES DEPARTMENT OF AGRICULTURE COOPERATING
NURSERY WAGON
FOUR WHEEL STEER
FLA. '78 6293 SHEET 4 OF 5

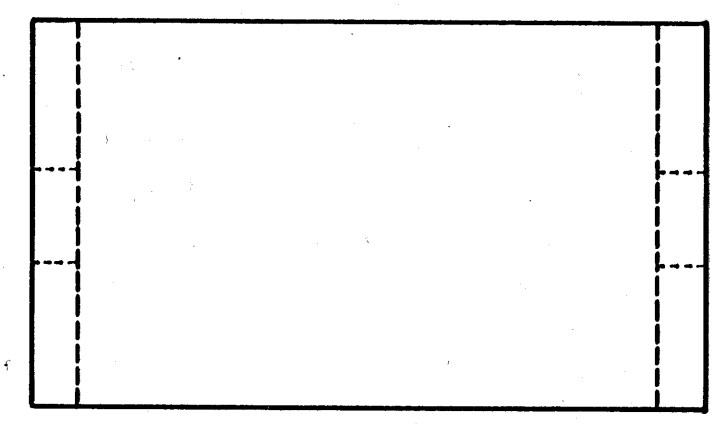
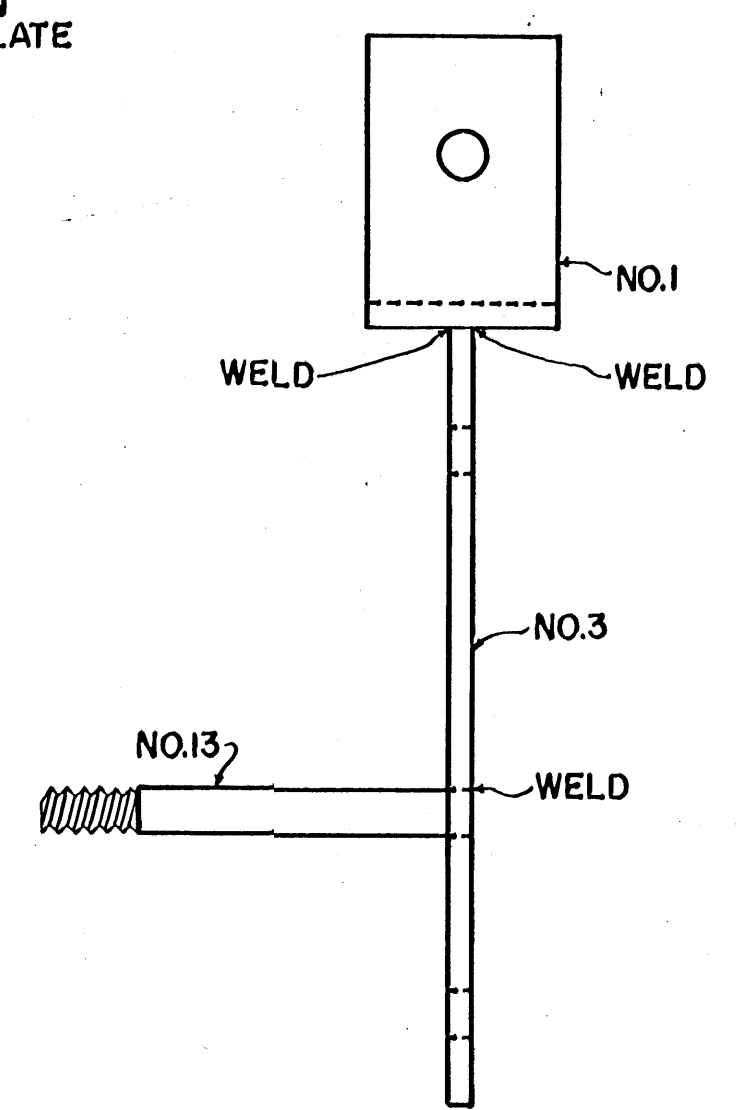


DOG LEG PLATE
2 REQUIRED PART NO.3
FULL SCALE

NOTE:
U PLATE REQUIRED ON
ONLY ONE DOG LEG PLATE

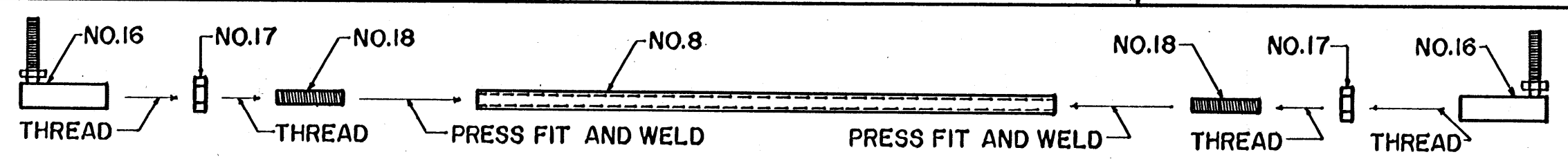
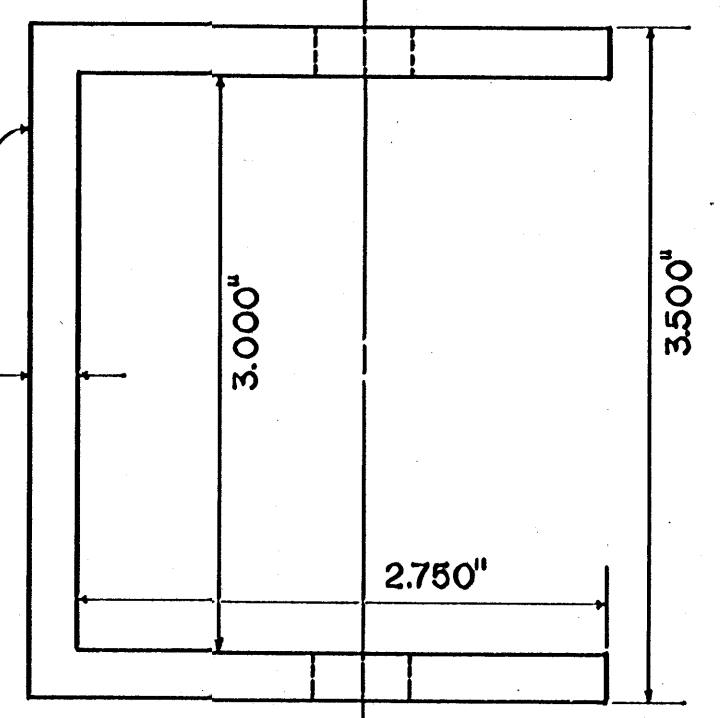
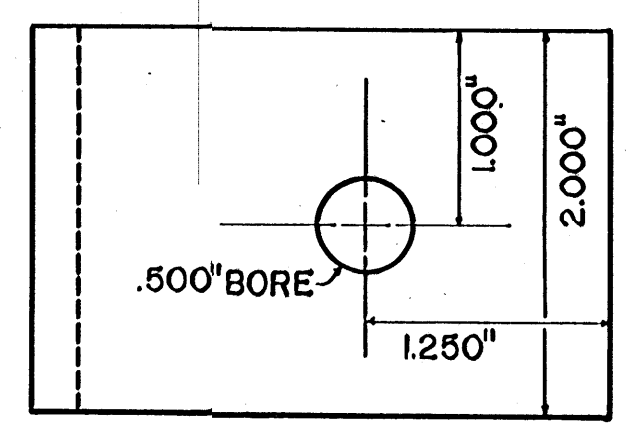


SUB ASSEMBLY #2
2 REQUIRED
SCALE; .500"=1.000 INCH

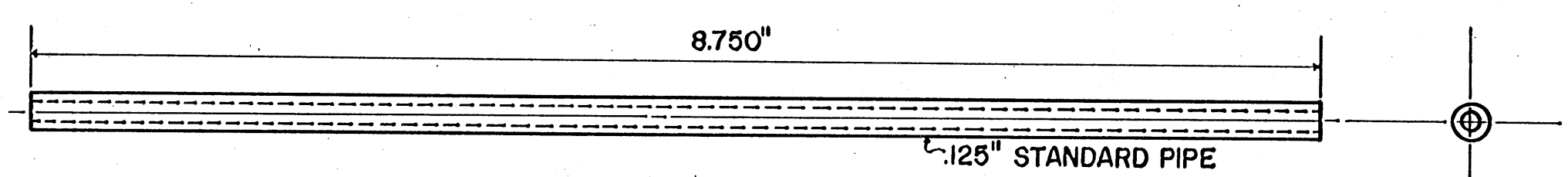


TONGUE MOUNTING U PLATE
1 REQUIRED PART NO.1
FULL SCALE

.250" STEEL PLATE



SUB ASSEMBLY #1
4 REQUIRED
SCALE; .500"=1.000"



TIE ROD
4 REQUIRED PART NO.8
FULL SCALE